



US00D433963S

# United States Patent [19]

Raffaelli, Jr.

[11] **Patent Number: Des. 433,963**

[45] **Date of Patent: \*\* Nov. 21, 2000**

[54] **CLIP WITH KEY**

2,908,953 10/1959 Anderson ..... D11/203

[76] Inventor: **Anthony Vincent Raffaelli, Jr.**, 82  
Hastings Ave., Nutley, N.J. 07110

*Primary Examiner*—Ralf Seifert  
*Attorney, Agent, or Firm*—Cozzarelli Law Firm, PA.; Frank  
Cozzarelli, Jr.

[\*\*] Term: **14 Years**

[57] **CLAIM**

[21] Appl. No.: **29/105,993**

The ornamental design for a clip with key.

[22] Filed: **Jun. 8, 1999**

**DESCRIPTION**

[51] **LOC (7) Cl.** ..... **02-07**

[52] **U.S. Cl.** ..... **D11/203**

[58] **Field of Search** ..... D11/200, 201–206,  
D11/48, 78.1; 63/20–23; D3/207, 208; 24/3.6,  
49.1, 5.2

FIG. 1 is a perspective view of the clip with key showing my  
design;

FIG. 2 is a front elevational view thereof;

FIG. 3 is a plan view of the back thereof;

FIG. 4 is a top plan view thereof;

FIG. 5 is a bottom plan view thereof;

FIG. 6 is a right side elevational view thereof; and,

FIG. 7 is a left side elevational view thereof.

[56] **References Cited**

**U.S. PATENT DOCUMENTS**

- D. 131,338 2/1942 Weiss ..... D11/201
- D. 186,942 12/1959 Boys ..... D3/211

**1 Claim, 2 Drawing Sheets**

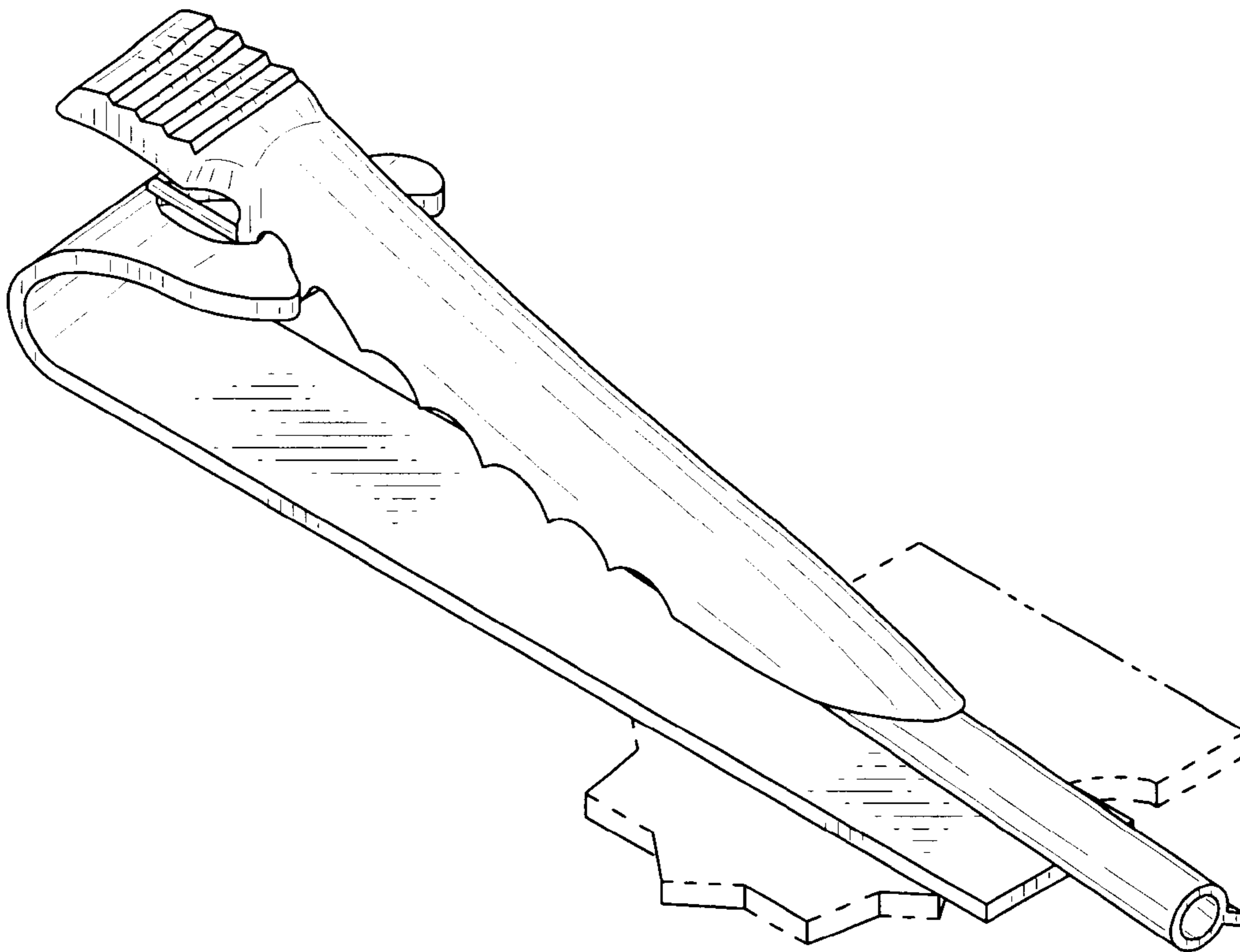


FIG. 1

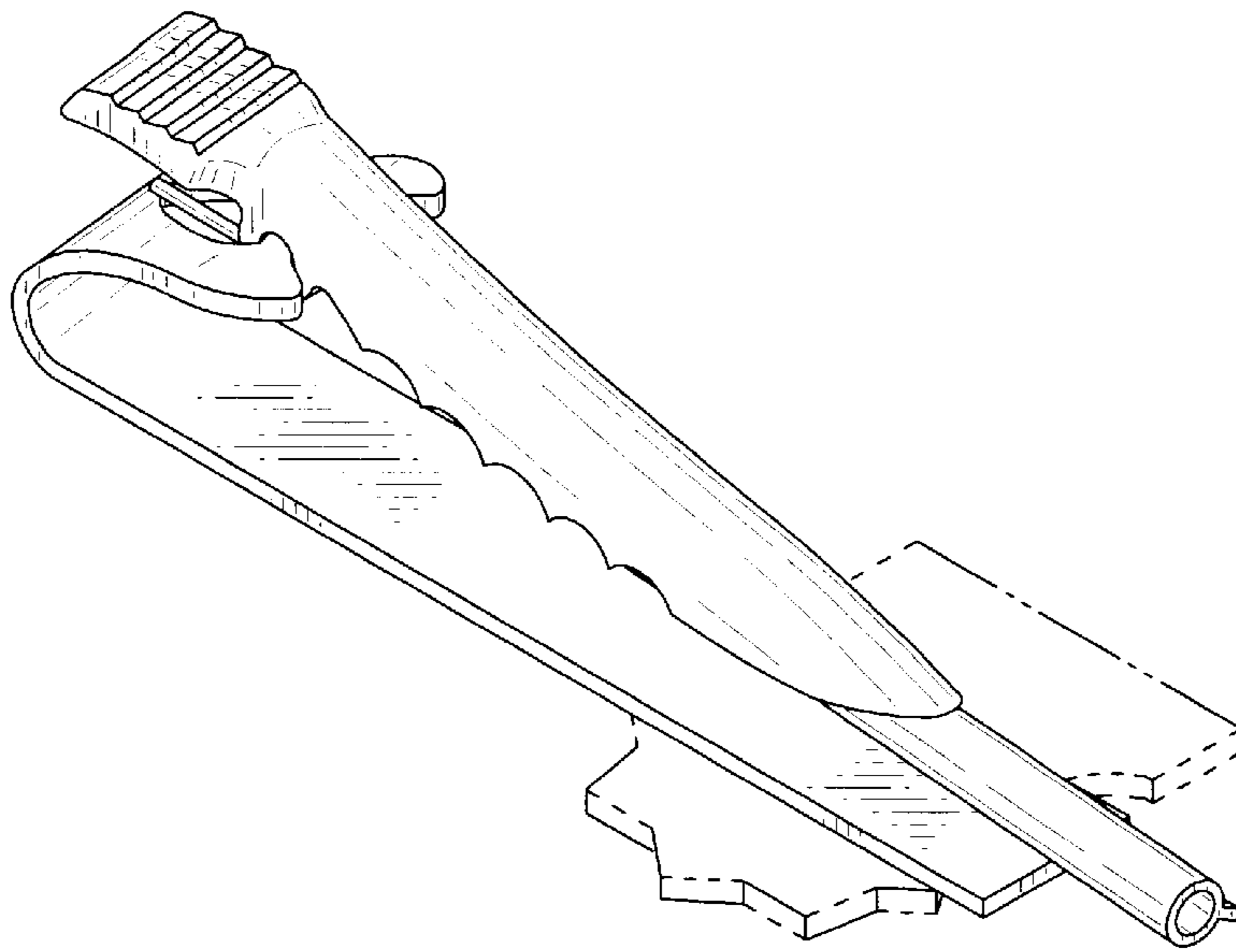


FIG. 2

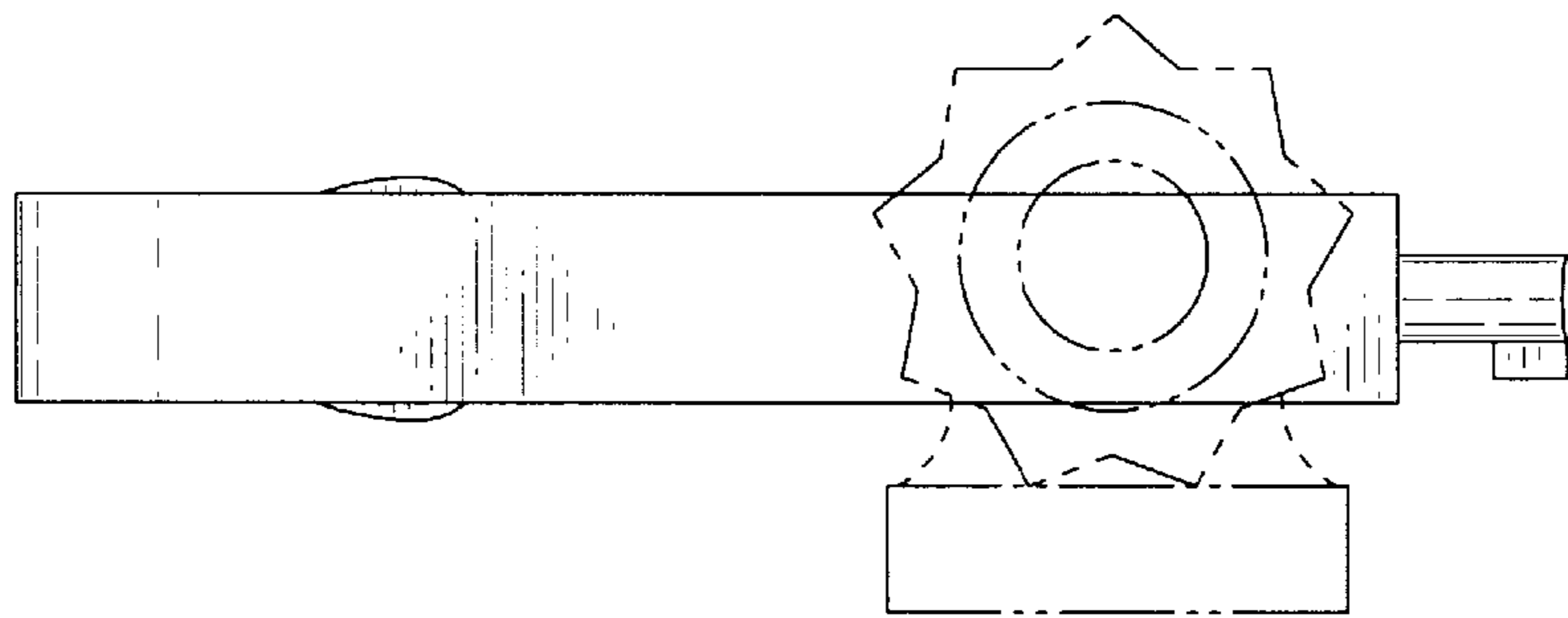


FIG. 3

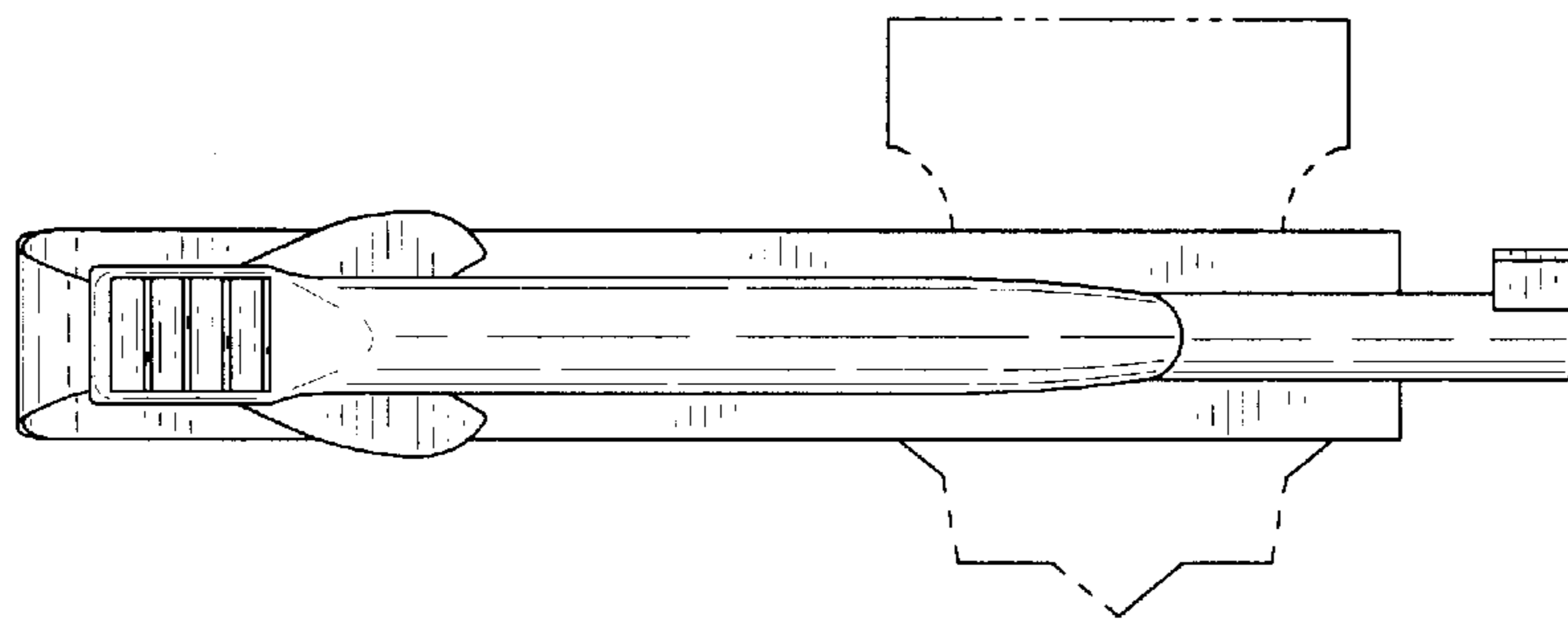


FIG. 4

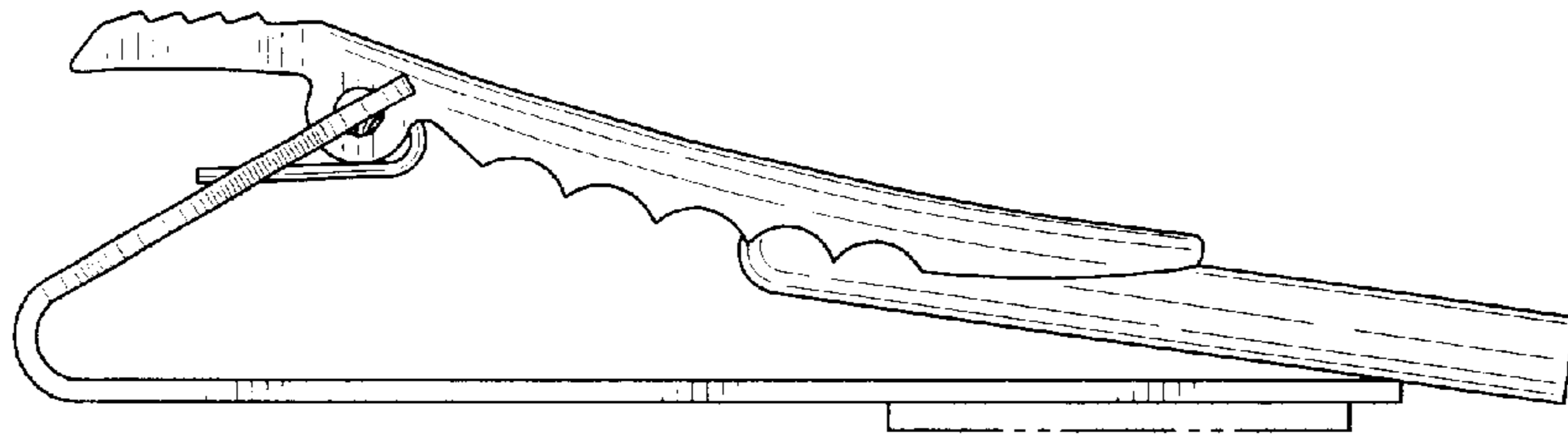


FIG. 5

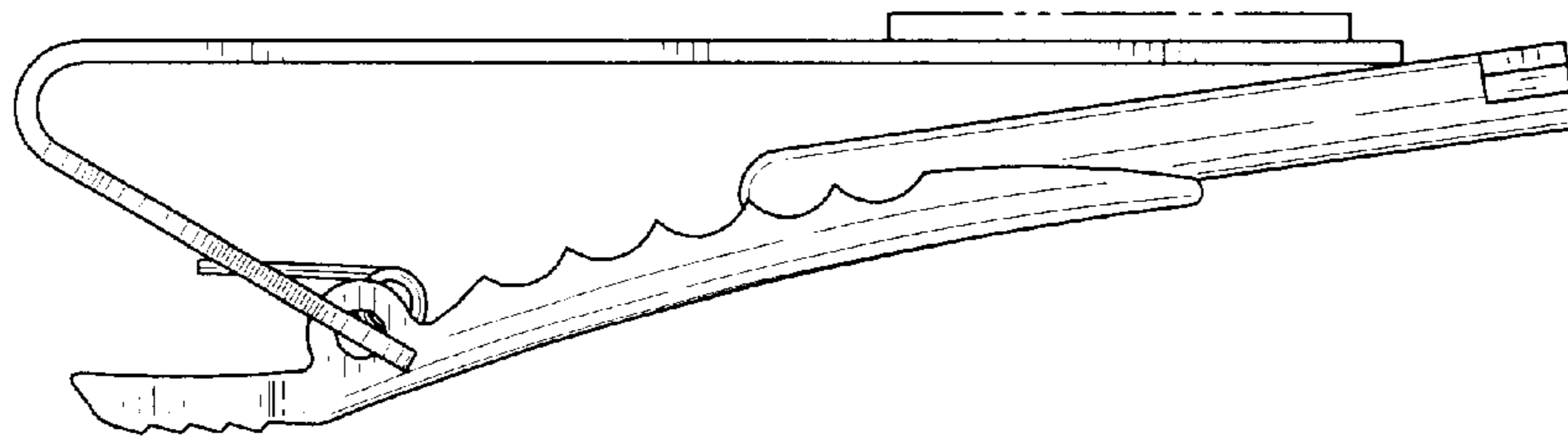


FIG. 6

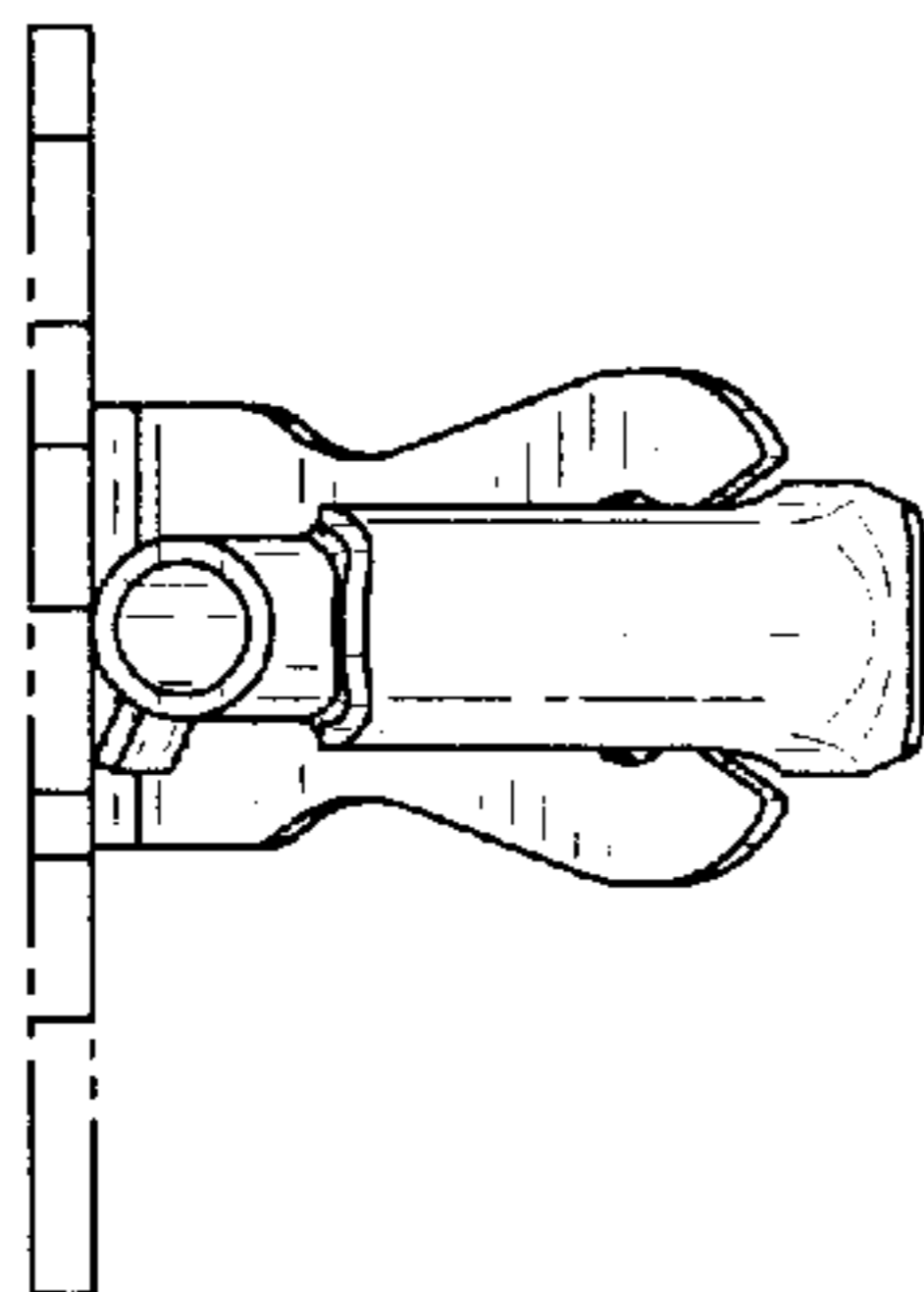


FIG. 7

