



(12) **United States Design Patent**  
**Asakura et al.**

(10) **Patent No.:** **US D1,002,252 S**  
(45) **Date of Patent:** **\*\* Oct. 24, 2023**

(54) **CAPSULE BED**  
(71) Applicant: **KOTOBUKI SEATING CO., LTD.**,  
Tokyo (JP)

D309,422 S \* 7/1990 Zitting ..... D6/390  
5,411,112 A \* 5/1995 Jephcott ..... E06C 1/39  
182/36  
6,721,969 B1 \* 4/2004 Lupo ..... A47C 17/86  
5/9.1

(72) Inventors: **Shigenori Asakura**, Tokyo (JP);  
**Kosuke Wakao**, Tokyo (JP); **Gaku**  
**Negishi**, Tokyo (JP)

(Continued)

**FOREIGN PATENT DOCUMENTS**

(73) Assignee: **KOTOBUKI SEATING CO., LTD.**,  
Tokyo (JP)

JP D1276964 \* 6/2006  
JP D1568018 \* 12/2016  
KR 300103972.0000 \* 4/2021

(\*\*) Term: **15 Years**

**OTHER PUBLICATIONS**

(21) Appl. No.: **29/809,631**

Stan, "3-step ladder" first avail Jan. 10, 2019 [https://www.amazon.ca/dp/B07MJLY1BF/ref=sspa\\_dk\\_detail\\_6?psc=1&pd\\_rd\\_i=B07MJLY1BF&pd\\_rd\\_w=Md9W4&content-id=amzn1.sym.d8c43617-c625-45bd-a63f-ad8715c2c055&pf\\_rd\\_p=d8c43617-c625-45bd-a63f-ad8715c2c055&pf\\_rd\\_r=7RRVQ7VTCC3PFNF1VHGS&pd\\_rd\\_wg=vWgRq&pd\\_rd\\_r=\(Year: 2019\).](https://www.amazon.ca/dp/B07MJLY1BF/ref=sspa_dk_detail_6?psc=1&pd_rd_i=B07MJLY1BF&pd_rd_w=Md9W4&content-id=amzn1.sym.d8c43617-c625-45bd-a63f-ad8715c2c055&pf_rd_p=d8c43617-c625-45bd-a63f-ad8715c2c055&pf_rd_r=7RRVQ7VTCC3PFNF1VHGS&pd_rd_wg=vWgRq&pd_rd_r=(Year: 2019).)\*

(22) Filed: **Sep. 29, 2021**

(Continued)

(30) **Foreign Application Priority Data**

Mar. 31, 2021 (JP) ..... 2021-006818 D

(51) **LOC (14) Cl.** ..... **06-06**

(52) **U.S. Cl.**  
USPC ..... **D6/718**; D25/62; D25/64

(58) **Field of Classification Search**  
USPC ... D6/382, 383, 384, 390, 391, 718, 718.13,  
D6/718.3; D25/62, 63, 64, 68, 69  
CPC ..... A47C 19/00; A47C 19/20; A47C 19/207;  
A47C 19/22; A47D 7/02; E06C 9/00;  
E06C 1/005; E06C 5/02; E06C 7/081;  
E06C 7/182; E04H 4/144

*Primary Examiner* — Bao-Yen T Nguyen  
*Assistant Examiner* — Jessica Ruth Grable  
(74) *Attorney, Agent, or Firm* — Faegre Drinker Biddle & Reath LLP

See application file for complete search history.

(57) **CLAIM**

The ornamental design for a capsule bed, as shown and described.

(56) **References Cited**

**U.S. PATENT DOCUMENTS**

3,638,246 A \* 2/1972 Jewell ..... A47C 17/60  
5/2.1  
3,991,851 A \* 11/1976 Gannon ..... E06C 7/081  
182/86  
4,023,647 A \* 5/1977 Confer ..... E04H 4/144  
D25/63  
D249,403 S \* 9/1978 Lamb ..... 5/2.1  
4,237,563 A \* 12/1980 Ollerman ..... A47C 19/22  
5/8

**DESCRIPTION**

FIG. 1 is a front perspective view of a capsule bed showing our new design;  
FIG. 2 is a front view thereof;  
FIG. 3 is a rear view thereof;  
FIG. 4 is a left side view thereof;  
FIG. 5 is a right side view thereof; and,  
FIG. 6 is a top plan view thereof.  
The broken lines shown represent portions of the capsule bed and form no part of the claimed design.

**1 Claim, 6 Drawing Sheets**

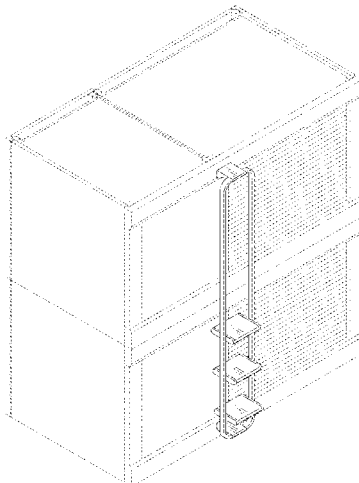




FIG. 1

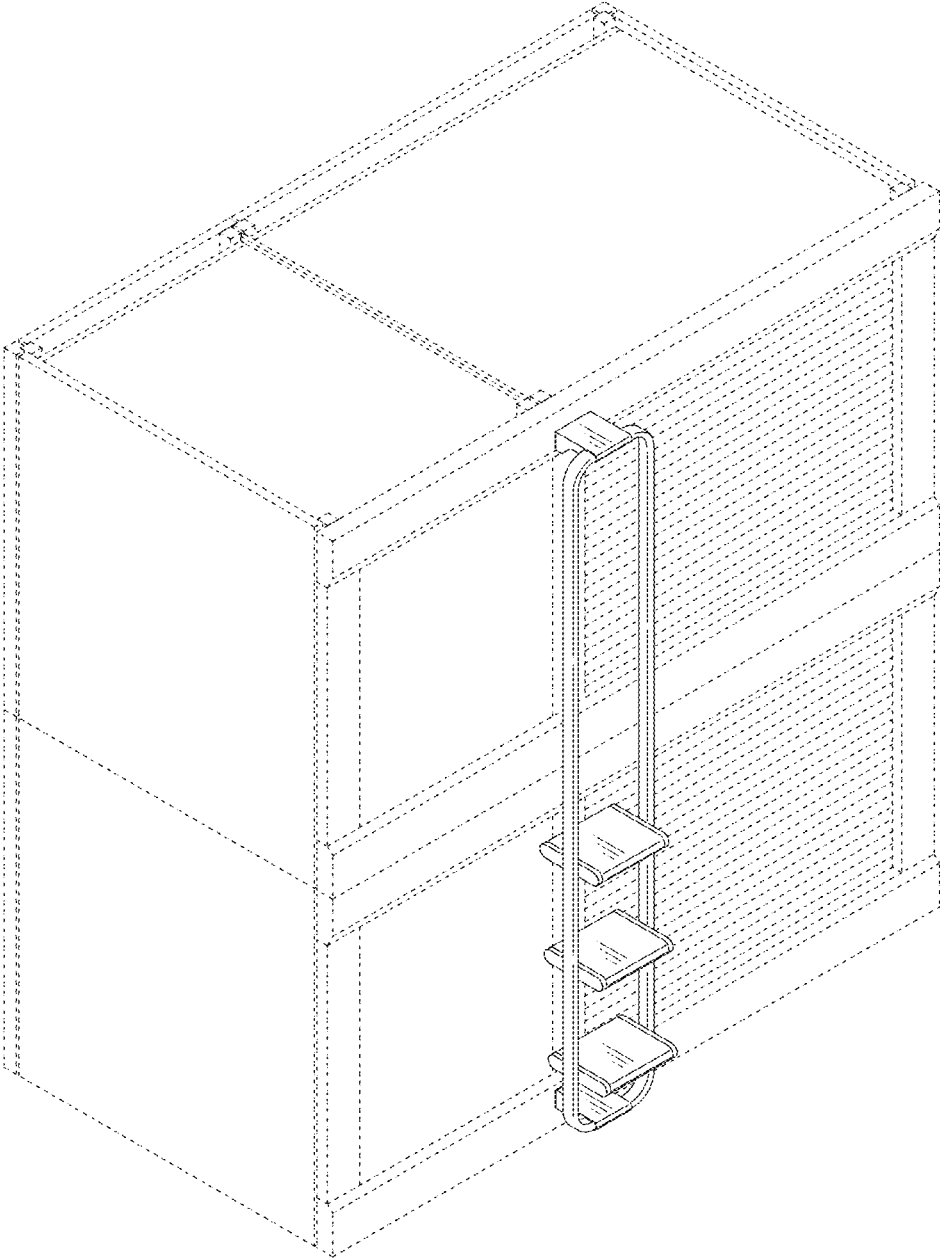


FIG. 2

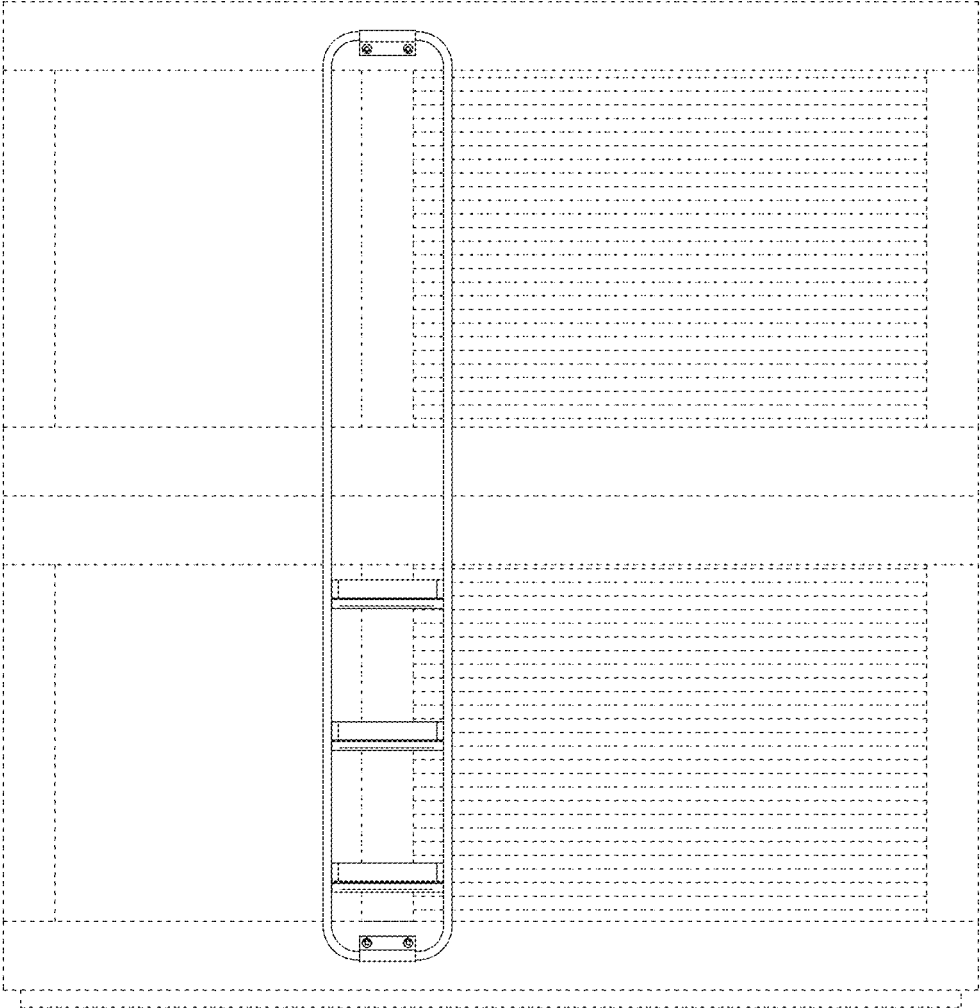


FIG. 3

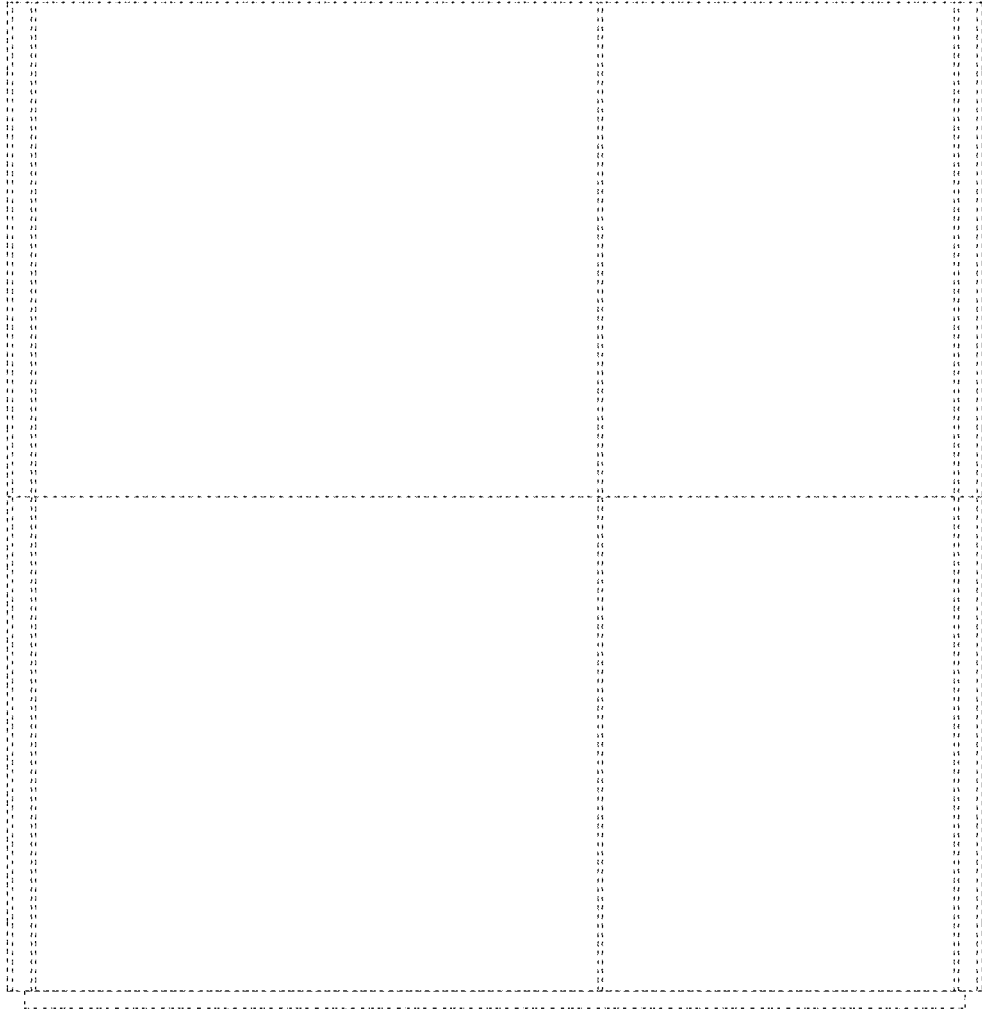


FIG. 4

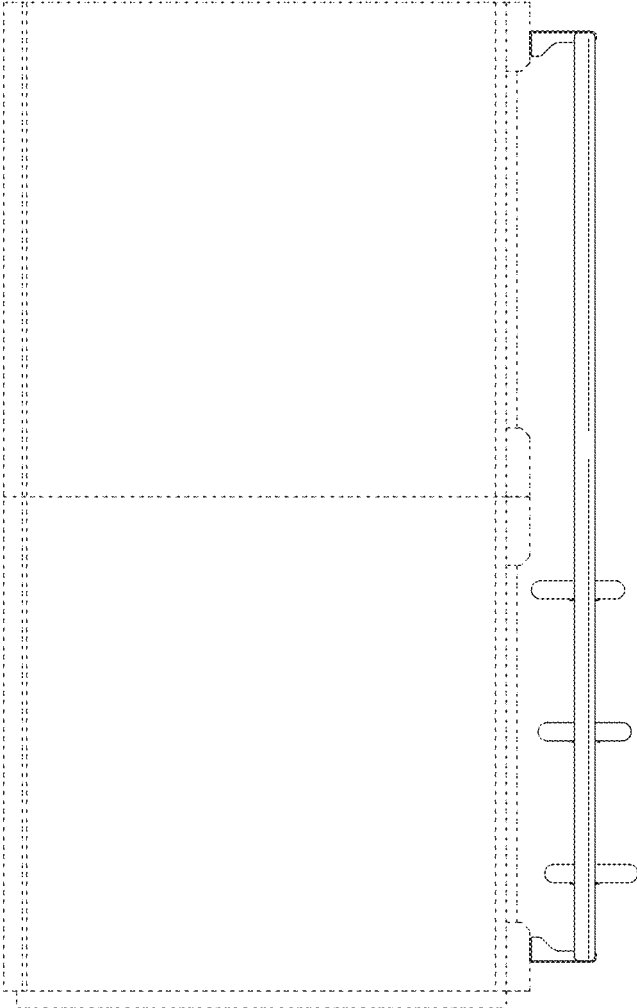


FIG. 5

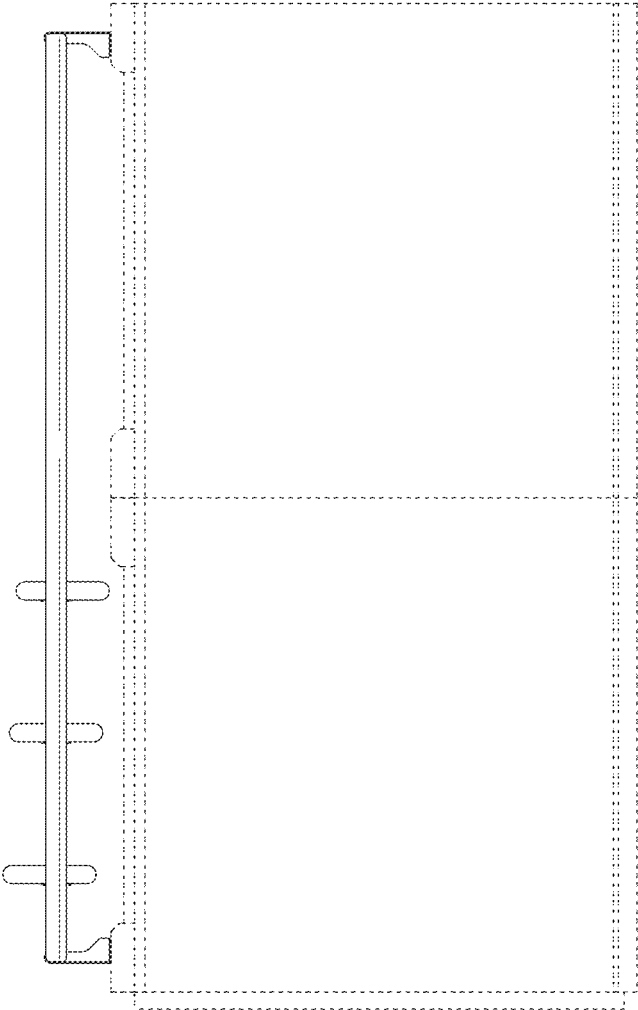


FIG. 6

