



US00D366755S

United States Patent [19]

[11] Patent Number: **Des. 366,755**

Abbey

[45] Date of Patent: ****Feb. 6, 1996**

[54] **STUD FOR SPORT SHOES**

[76] Inventor: **Edward F. Abbey**, 500 Main St., Apt. B, P.O. Box 1768, Frankfort, Mich. 49635

[**] Term: **14 Years**

[21] Appl. No.: **34,902**

[22] Filed: **Feb. 15, 1995**

[52] U.S. Cl. **D2/962**

[58] Field of Search D2/906, 962; 36/127, 36/59 R, 59 C, 66, 67 A, 67 D, 132, 134

[56] **References Cited**

U.S. PATENT DOCUMENTS

D. 237,562	11/1975	Mori	D2/962
D. 250,857	1/1979	Procter	D2/906
D. 299,084	12/1988	Tanel .	
D. 320,882	10/1991	Collins .	
D. 327,975	7/1992	Saito	D2/962
D. 341,479	11/1993	Saito	D2/962
1,876,195	4/1932	Youmans .	
2,491,596	12/1949	Zaleski et al. .	
2,784,503	3/1957	Anderson	36/127 X
3,195,246	7/1965	Ueda	D2/962 X
3,487,563	11/1970	Austin .	
3,512,275	5/1970	Leavitt .	
3,583,082	6/1971	Jordan, Jr. .	
3,672,077	6/1972	Coles .	
4,205,466	6/1980	Collins .	

4,527,345	7/1985	Lopez Lopez .	
4,571,852	2/1986	Lamarche et al. .	
4,587,748	5/1986	Collins .	
4,723,366	2/1988	Hagger	36/134
5,259,129	11/1993	Deacon et al. .	
5,321,901	6/1994	Kelly	36/134
5,426,873	6/1995	Savoie	36/127

OTHER PUBLICATIONS

Here Today or Here to Stay? Golf Course Management, Jan., 1995; Laura Schaffer—pp. 59, 60, 64 and 68.

Primary Examiner—Nelson C. Holtje
Attorney, Agent, or Firm—Donald R. Fraser

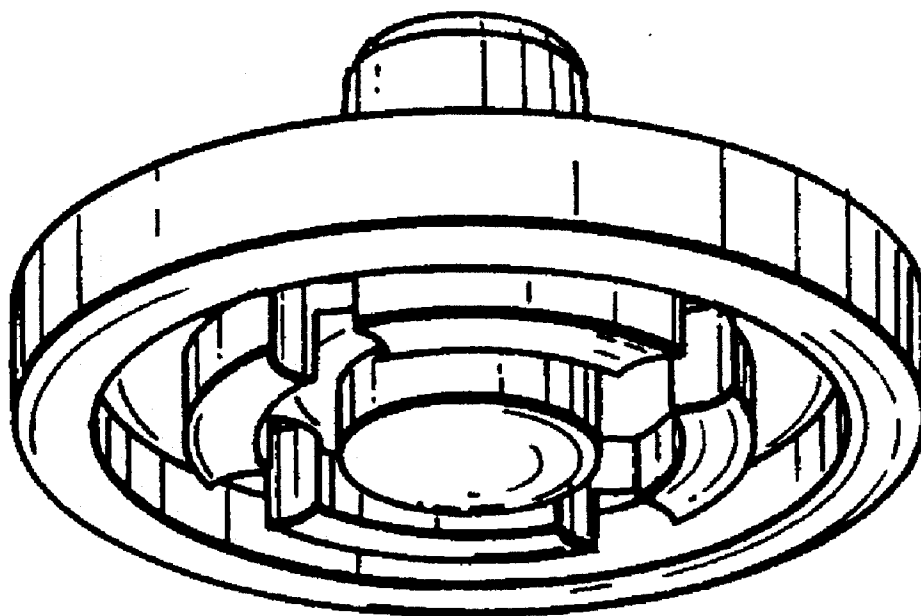
[57] **CLAIM**

The ornamental design for a stud for sport shoes, as shown and described.

DESCRIPTION

FIG. 1 is a perspective view of a stud for sport shoe embodying my ornamental design;
FIG. 2 is an elevational view thereof which is the same whether viewing the stud from the front, the rear, or either side;
FIG. 3 is a top plan view thereof;
FIG. 4 is a bottom plan view thereof;
FIG. 5 is a sectional view taken along line 5—5 of FIG. 4; and,
FIG. 6 is a sectional view taken along line 6—6 of FIG. 4.

1 Claim, 1 Drawing Sheet



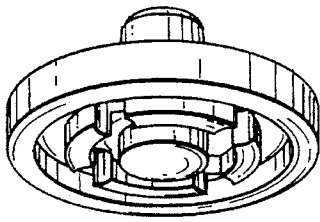


FIG. 1

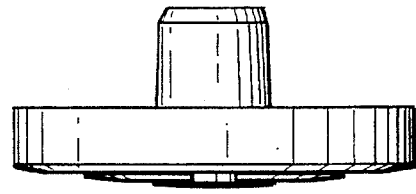


FIG. 2

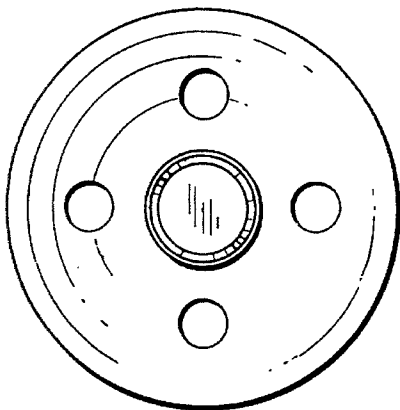


FIG. 3

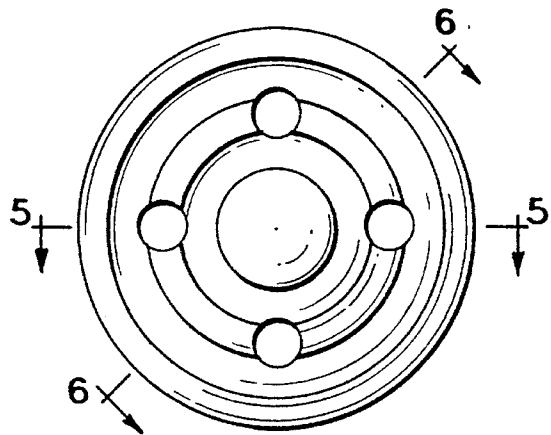


FIG. 4

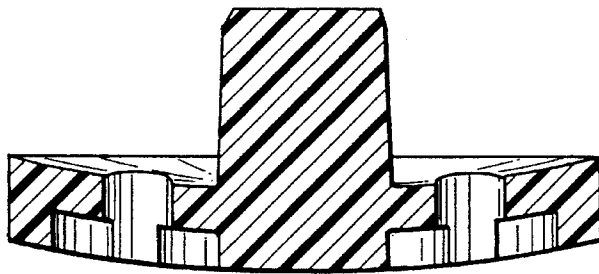


FIG. 5

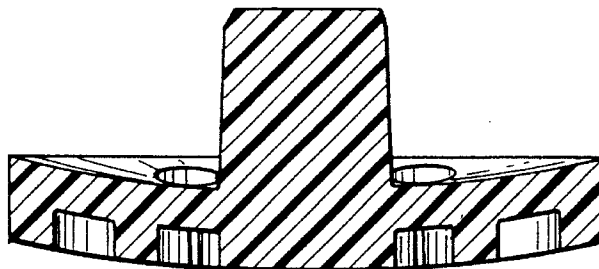


FIG. 6