

(12) UK Patent Application (19) GB (11) 2540297 (13) A

(43) Date of Reproduction by UK Office 11.01.2017

(21) Application No: 1617174.6
(22) Date of Filing: 10.04.2015
Date Lodged: 10.10.2016
(30) Priority Data:
(31) 61978458 (32) 11.04.2014 (33) US
(31) 62038777 (32) 18.08.2014 (33) US

(86) International Application Data:
PCT/US2015/025231 En 10.04.2015

(87) International Publication Data:
WO2015/157591 En 15.10.2015

(71) Applicant(s):
Halare Inc
2679 West Gatesburg Road, Warriors Mark,
Pennsylvania, 16877, United States of America

(72) Inventor(s):
Anthony C. Warren
Kyle H. Goldschmidt

(74) Agent and/or Address for Service:
Abel & Imray
20 Red Lion Street, LONDON, WC1R 4PQ,
United Kingdom

(51) INT CL:
A61B 5/0205 (2006.01) A61B 5/024 (2006.01)
A61B 5/083 (2006.01) A61B 5/145 (2006.01)

(56) Documents Cited:
WO 2013/090705 A1 US 7177686 B1
US 20140005557 A1 US 20130006124 A1

(58) Field of Search:
INT CL A61B
Other: PatSearch (RUPTO Internal), DWPI, Espacenet,
Google, Yandex, Patentscope

(54) Title of the Invention: **Systems, methods and apparatuses for monitoring hypoxia events**
Abstract Title: **Systems, methods and apparatuses for monitoring hypoxia events**

(57) Systems and methods for monitoring hypoxia in a user over a period of time are disclosed. A sensor assembly detects data indicative of at least one physiological parameter of the user and an electronic computing unit analyzes the data indicative of the at least one physiological parameter of the user detected by the sensor assembly and determines, from the analyzed data, an occurrence of a hypoxia event. The electronic computing unit may additionally determine characteristics of the data indicative of the at least one physiological parameter associated with the determined occurrence of the hypoxia event and determine trends from changes in the determined characteristics.

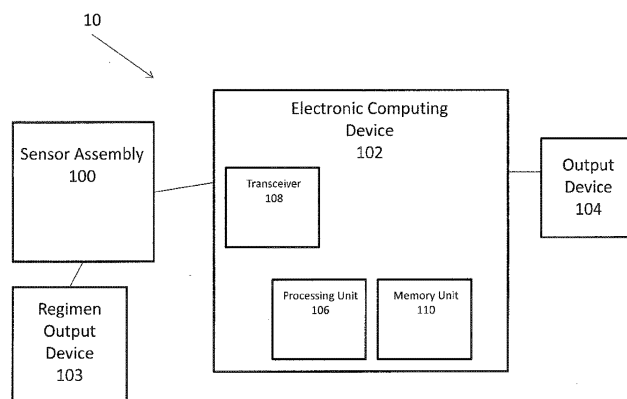


FIG. 1

GB 2540297 A