



US00D745971S

(12) **United States Design Patent**
Sharps et al.

(10) **Patent No.:** **US D745,971 S**

(45) **Date of Patent:** **** Dec. 22, 2015**

(54) **SURGICAL TABLE**

(71) Applicant: **Operating Room Safety Enterprises, LLC**, Berwyn, PA (US)

(72) Inventors: **Lewis Sharps**, Bryn Mawr, PA (US); **Tony Sanchez**, Narbeth, PA (US); **Peter Edwards**, Glenrock, PA (US)

(73) Assignee: **OPERATING ROOM SAFETY ENTERPRISES, LLC**, Berwyn, PA (US)

(**) Term: **14 Years**

(21) Appl. No.: **29/447,799**

(22) Filed: **Mar. 6, 2013**

(51) **LOC (10) Cl.** **24-01**

(52) **U.S. Cl.** **D24/183**
USPC **D24/183**

(58) **Field of Classification Search**
USPC D24/183-184, 200, 158-159; D6/382; 5/600, 601, 607-611, 614, 616, 5/621-624; 108/1, 4
CPC A61G 13/00; A61G 13/0009; A61G 13/0018; A61G 13/0027; A61G 13/0036; A61G 13/009; A61G 13/02-13/10; A61B 6/04; A61B 6/0407; A61B 6/0457; A61B 6/0442

See application file for complete search history.

(56) **References Cited**

U.S. PATENT DOCUMENTS

3,202,218	A	8/1965	Watts et al.	
3,238,539	A	3/1966	Koch	
3,452,977	A *	7/1969	Ryman	5/601
D221,910	S *	9/1971	Brendgord	D24/183
3,750,659	A	8/1973	Loomans	
3,827,089	A	8/1974	Grow	
3,868,103	A *	2/1975	Pageot et al.	5/614
4,029,089	A	6/1977	Mulholland	
4,195,829	A *	4/1980	Reser	5/607

4,296,761	A	10/1981	Tyo	
4,508,387	A *	4/1985	Gilbert et al.	297/423.19
4,761,000	A *	8/1988	Fisher et al.	5/608
D307,055	S	4/1990	Johnston	
4,937,901	A	7/1990	Brennan	
5,131,106	A	7/1992	Jackson	
D347,604	S	6/1994	Ernst et al.	
D356,527	S	3/1995	Wohnsen et al.	
5,489,258	A	2/1996	Wohnsen et al.	
5,528,782	A *	6/1996	Pfeuffer et al.	5/611

(Continued)

OTHER PUBLICATIONS

Allen Medical Systems, "Intraoperative Adjustment from Kyphosis to Lordosis", Announcement Allen Medical Systems, Feb. 6, 2006, pp. 1-4.

(Continued)

Primary Examiner — T. Chase Nelson

Assistant Examiner — Mark Cavanna

(74) *Attorney, Agent, or Firm* — Volpe and Koenig, P.C.

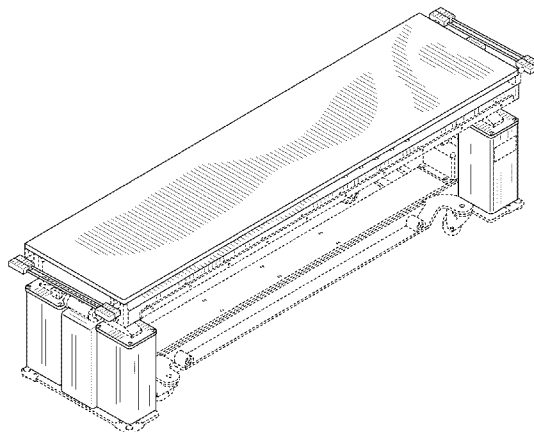
(57) **CLAIM**

The ornamental design for a surgical table, as shown and described.

DESCRIPTION

FIG. 1 is a top-perspective-front-right-side view of a surgical table showing our new design; FIG. 2 is a front view thereof; FIG. 3 is a rear view thereof; FIG. 4 is a left-side view thereof; FIG. 5 is a right-side view thereof; FIG. 6 is a top view thereof; FIG. 7 is a left-side view of the table in a longitudinal-titled position; and, FIG. 8 is a rear view of the table in a lateral-tilted position. The broken lines are included for the purpose of illustrating unclaimed portions of the surgical table that form no part of the claimed design.

1 Claim, 6 Drawing Sheets



(56)

References Cited

U.S. PATENT DOCUMENTS

5,618,055 A 4/1997 Mulholland
 5,661,859 A * 9/1997 Schaefer 5/621
 6,154,901 A 12/2000 Carr
 D439,670 S * 3/2001 Sommer D24/183
 D441,868 S * 5/2001 Rodenas Santiago
 et al. D24/183
 D453,968 S * 2/2002 Zachrisson D24/183
 6,484,334 B1 * 11/2002 Borders et al. 5/600
 6,526,610 B1 3/2003 Hand et al.
 6,832,398 B2 * 12/2004 Borders et al. 5/600
 6,941,951 B2 9/2005 Hubert et al.
 7,036,512 B2 5/2006 Harnois
 7,137,160 B2 11/2006 Hand et al.
 7,152,261 B2 12/2006 Jackson
 7,197,778 B2 4/2007 Sharps

7,343,635 B2 3/2008 Jackson
 7,343,916 B2 3/2008 Biondo et al.
 7,520,008 B2 4/2009 Wong et al.
 7,614,639 B2 11/2009 Tholkes et al.
 D612,942 S 3/2010 Verdon-Roe
 D630,330 S * 1/2011 Baba D24/159
 D701,605 S * 3/2014 Ohmukai D24/183
 2006/0242765 A1 11/2006 Skripps
 2007/0174966 A1 8/2007 Lopez-Sansalvador
 2007/0192960 A1 8/2007 Jackson
 2009/0282614 A1 11/2009 Jackson
 2010/0024128 A1 2/2010 Skripps

OTHER PUBLICATIONS

“Radiolucent Wilson Frame”, Orthopedic Systems, Inc. (OSI),
 Poster, 1998, 1 page.

* cited by examiner

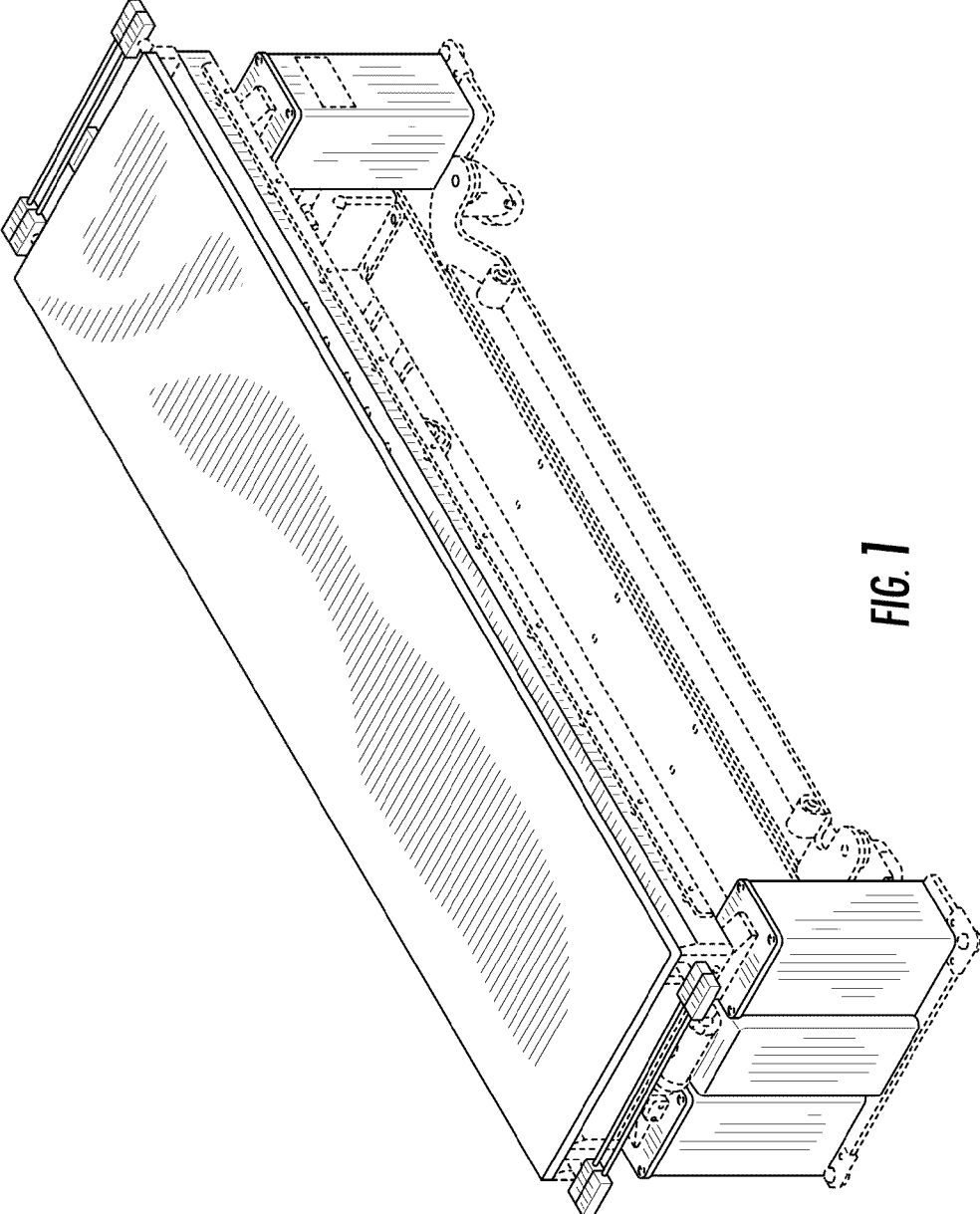


FIG. 1

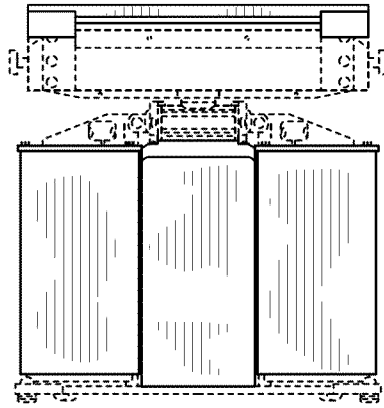


FIG. 2

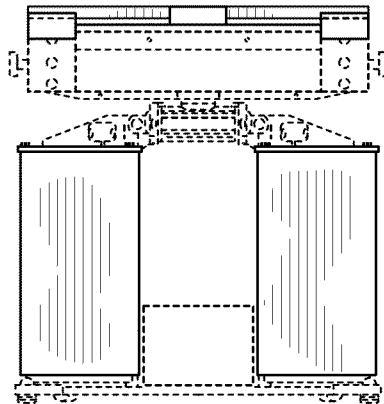


FIG. 3

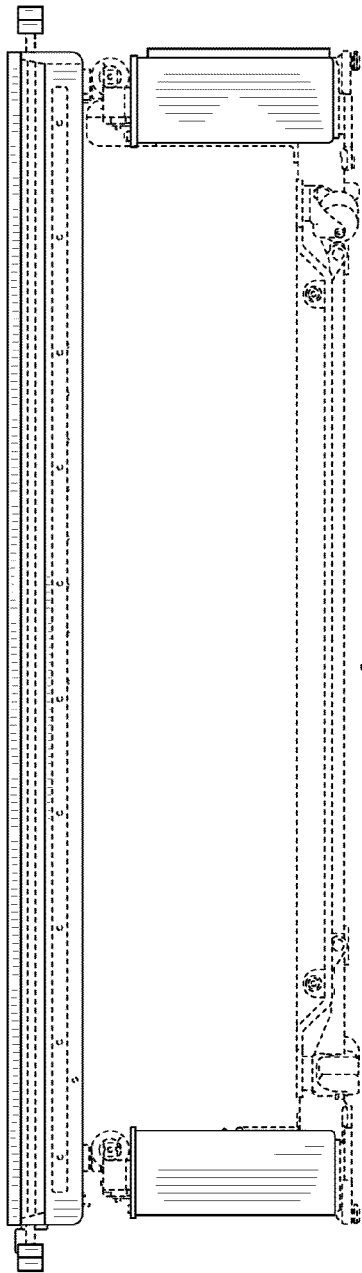


FIG. 4

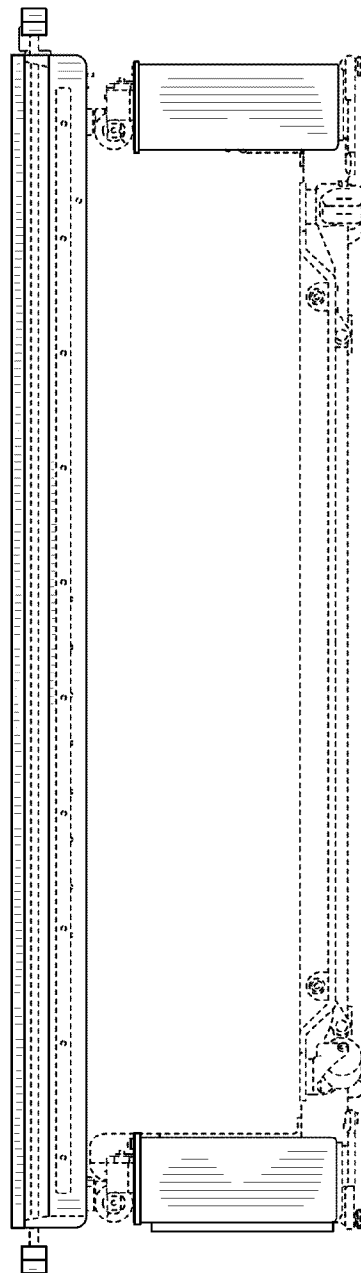


FIG. 5

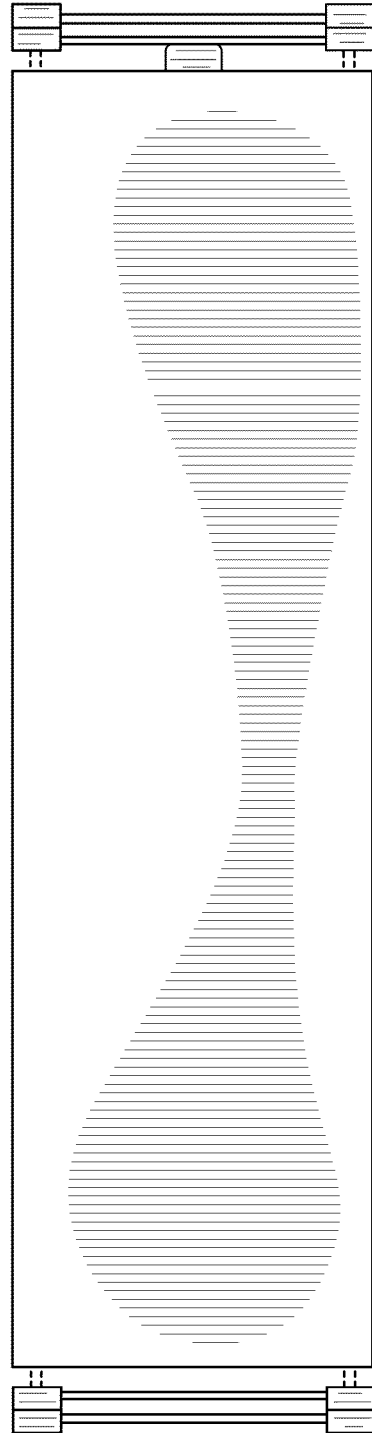


FIG. 6

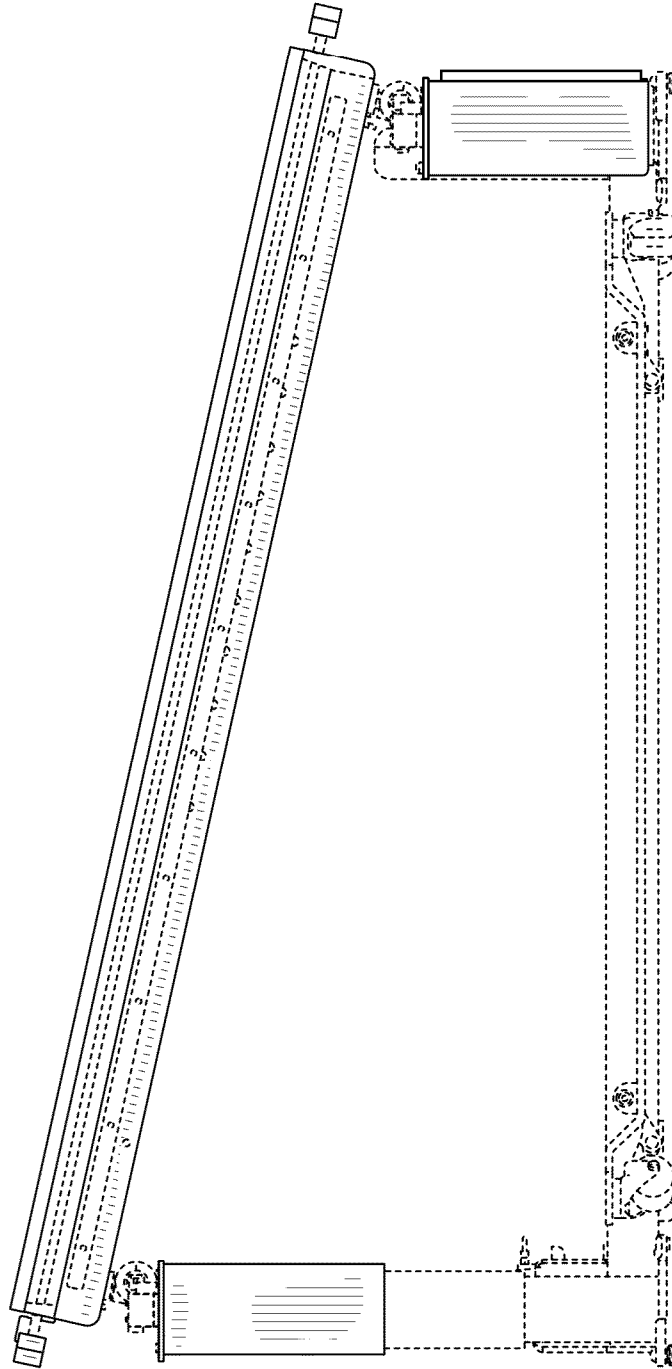


FIG. 7

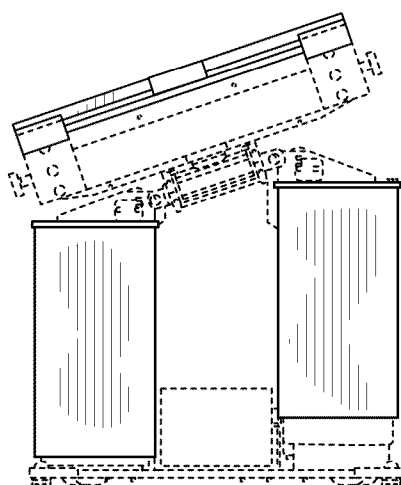


FIG. 8