



US00D791477S

(12) **United States Design Patent**
Liu

(10) **Patent No.:** **US D791,477 S**

(45) **Date of Patent:** **** Jul. 11, 2017**

- (54) **SUITCASE**
- (71) Applicant: **JIAXING ZHIBANG SUITCASE CO., LTD.**, Jiaxing, Zhejiang (CN)
- (72) Inventor: **Bangjian Liu**, Zhejiang (CN)
- (73) Assignee: **JIAXING ZHIBANG SUITCASE CO., LTD.**, Jiaxing (CN)
- (**) Term: **15 Years**
- (21) Appl. No.: **29/579,989**
- (22) Filed: **Oct. 5, 2016**
- (30) **Foreign Application Priority Data**

D740,557 S *	10/2015	Liao	D3/279
D740,558 S *	10/2015	Liao	D3/279
D771,382 S *	11/2016	Maeda	D3/279
D783,282 S *	4/2017	Sijmons	D3/279
2014/0041978 A1*	2/2014	Chang	A45C 7/0018 190/18 A
2017/0079398 A1*	3/2017	Reh	A45C 13/42

- Aug. 31, 2016 (CN) 2016 3 0456378
- (51) **LOC (10) Cl.** **03-01**
- (52) **U.S. Cl.**
USPC **D3/279**; D3/281
- (58) **Field of Classification Search**
USPC D3/273, 276, 279, 281, 282, 289, 291,
D3/902, 272
CPC A45C 5/00; A45C 5/03; A45C 2005/037;
A45C 5/14; A45C 7/0027; A45C 7/0018;
A45C 2005/032; A45C 2005/035; A45C
5/04
See application file for complete search history.

OTHER PUBLICATIONS

AliExpress, "New 20 24 26 29"Large Capacity Travel Suitcases, Men Business Travelling Luggage, Women Waterproof Spinner Trolley Suitcase", First reviewed on Jan. 11, 2017, Accessed May 5, 2017. (<https://www.aliexpress.com/item/2015-New-20inch-Large-Capacity-Travel-Suitcases-Men-Business-Travelling-Luggage-Women-Waterproof-Spinner-Trolley-Suitcase>).*
Rimowa, "Classif Flight Multi-Wheel", Accessed May 5, 2017. (<https://www.rimowa.com/en-us/classic-flight-multiwheel-85l-silver-suitcase/971.73.00.4>).*

* cited by examiner

Primary Examiner — Jennifer Rivard
Assistant Examiner — April Rivas

(57) **CLAIM**

The ornamental design for a suitcase, as shown and described.

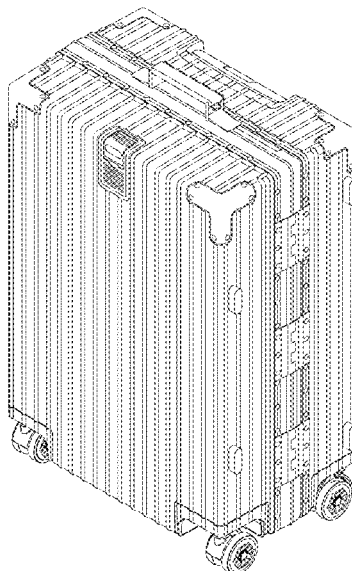
DESCRIPTION

FIG. 1 is a front elevational view of a Suitcase showing my new design;
FIG. 2 is a rear elevational view thereof;
FIG. 3 is a left side view thereof;
FIG. 4 is a right side view thereof;
FIG. 5 is a top plan view thereof;
FIG. 6 is a bottom plan view thereof;
FIG. 7 is a front perspective view thereof; and,
FIG. 8 is a rear perspective view thereof.

1 Claim, 8 Drawing Sheets

(56) **References Cited**
U.S. PATENT DOCUMENTS

D625,517 S *	10/2010	Rossi	D3/272
D629,200 S *	12/2010	Turella-Yuan	D3/279
D659,395 S *	5/2012	Sijmons	D3/279
D710,610 S *	8/2014	Sijmons	D3/279
D711,104 S *	8/2014	Lai	D3/279
D711,646 S *	8/2014	Ke	D3/279
D722,771 S *	2/2015	Wu	D3/279



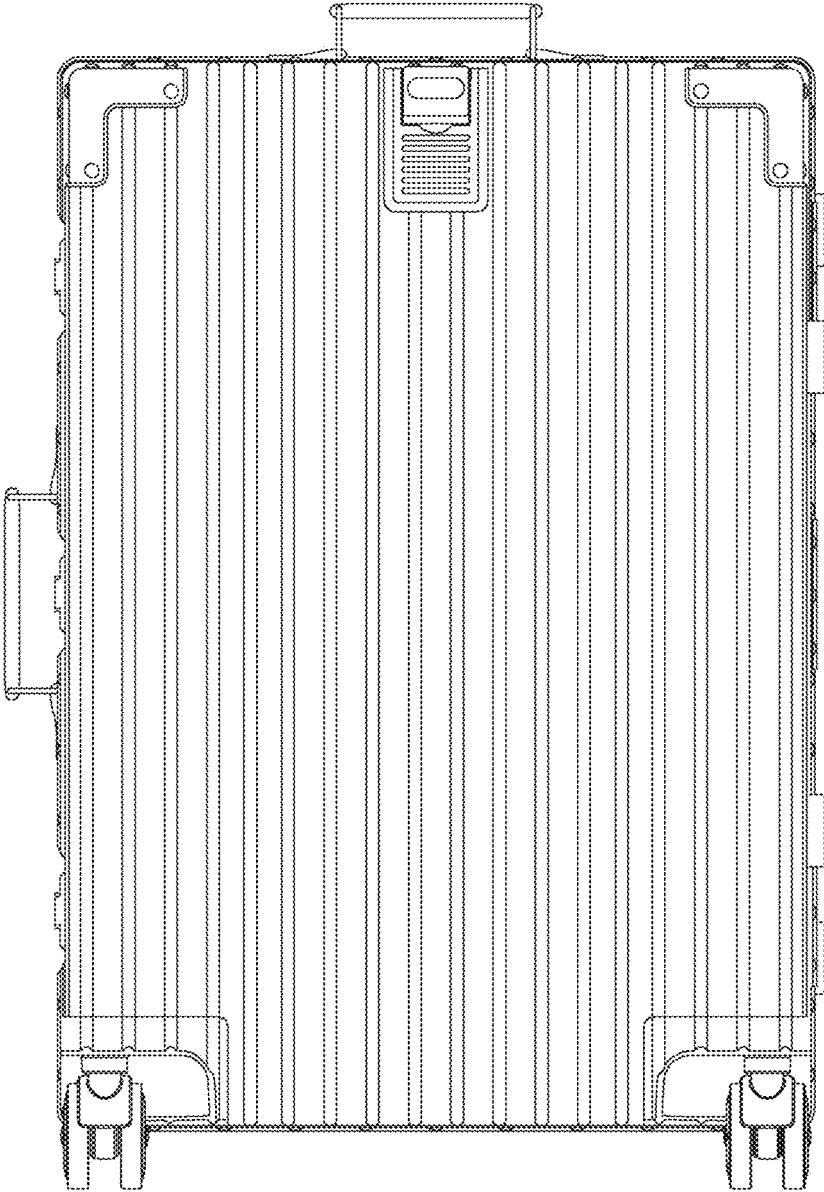


Fig. 1

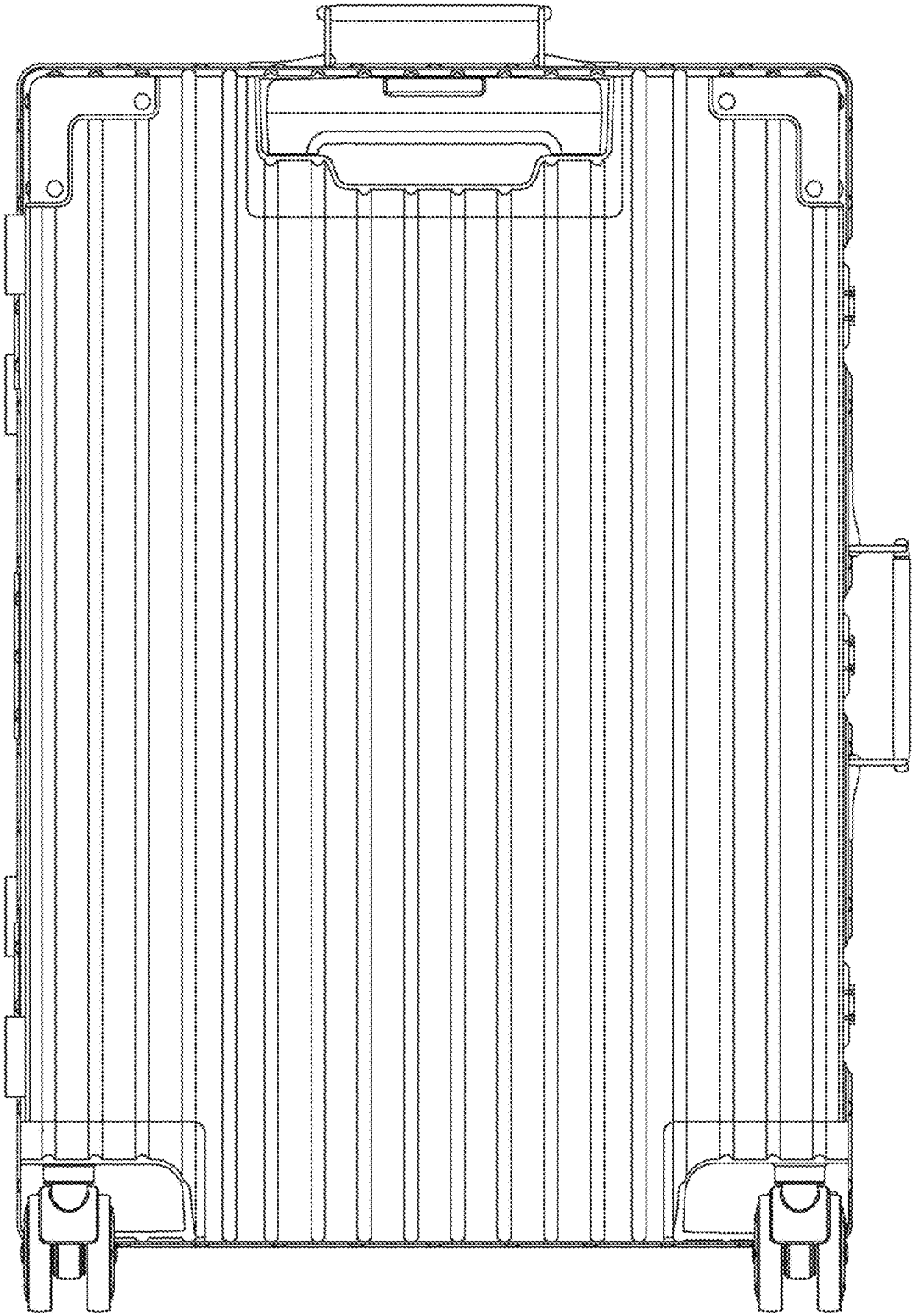


Fig. 2

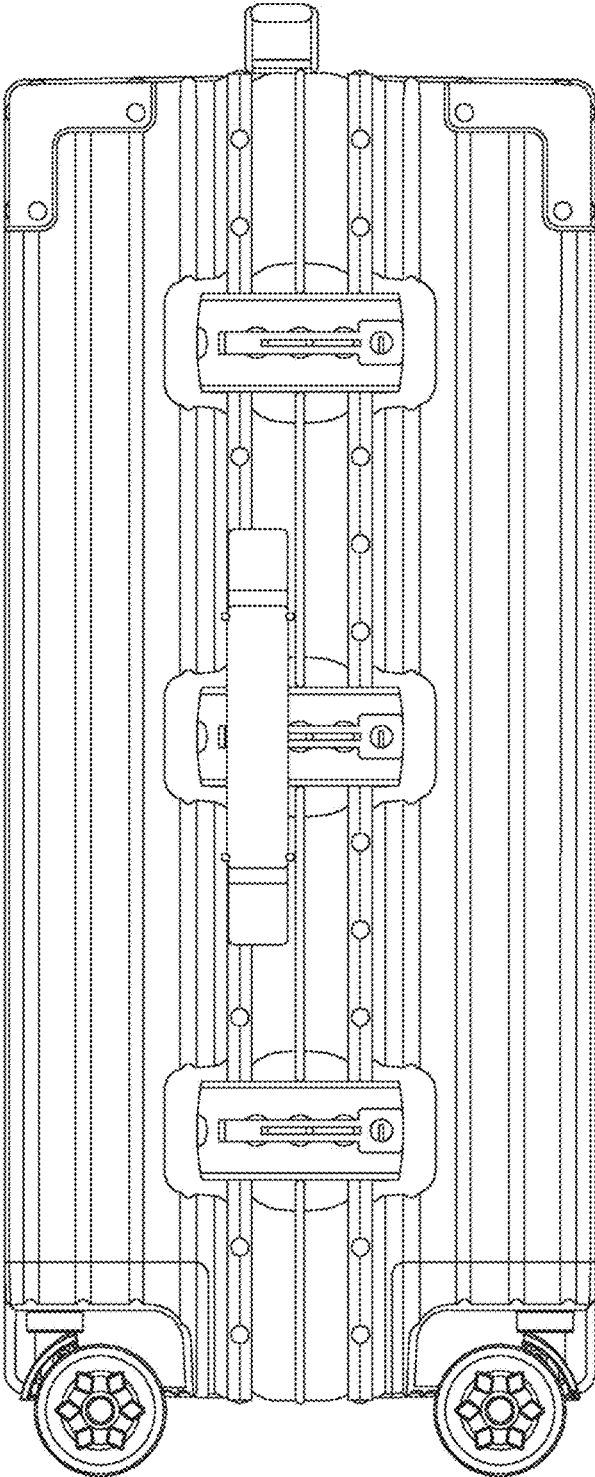


Fig. 3

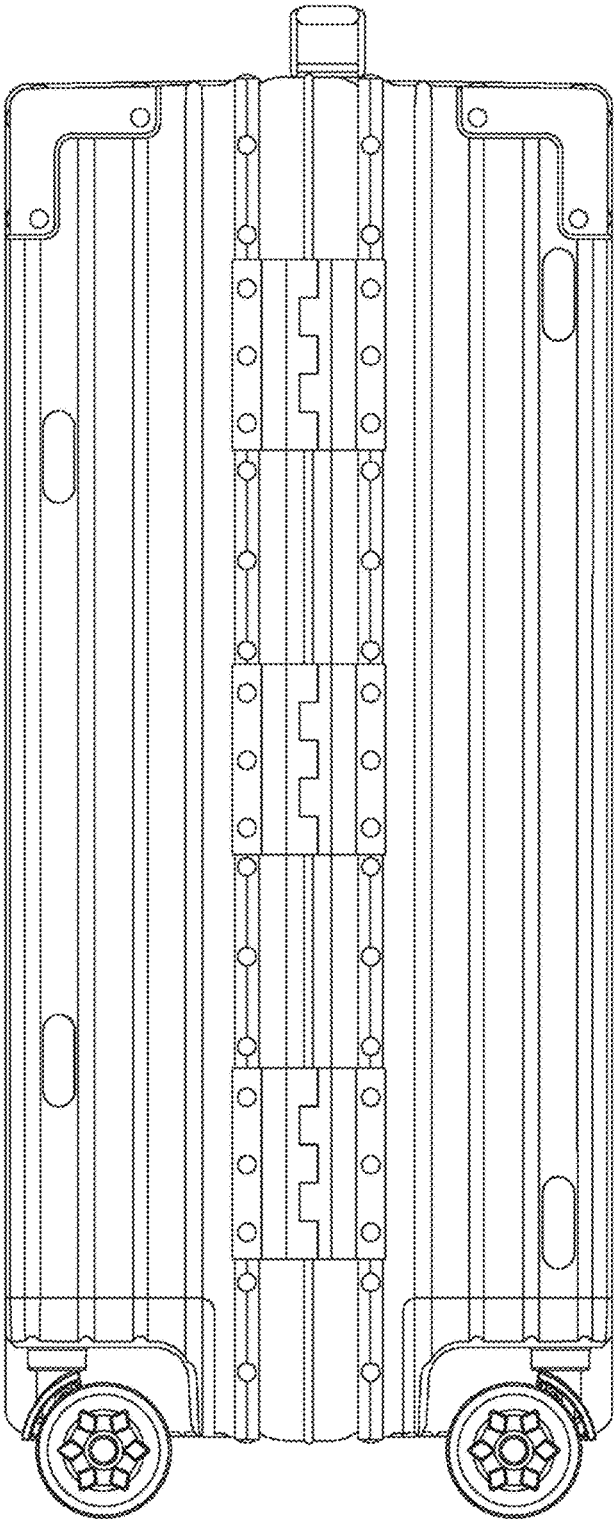


Fig. 4

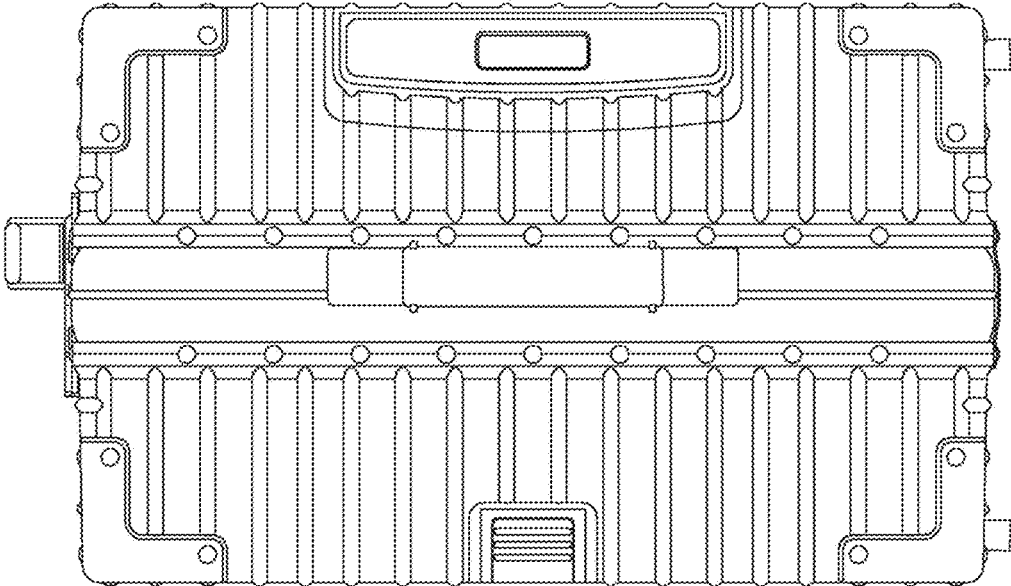


Fig. 5

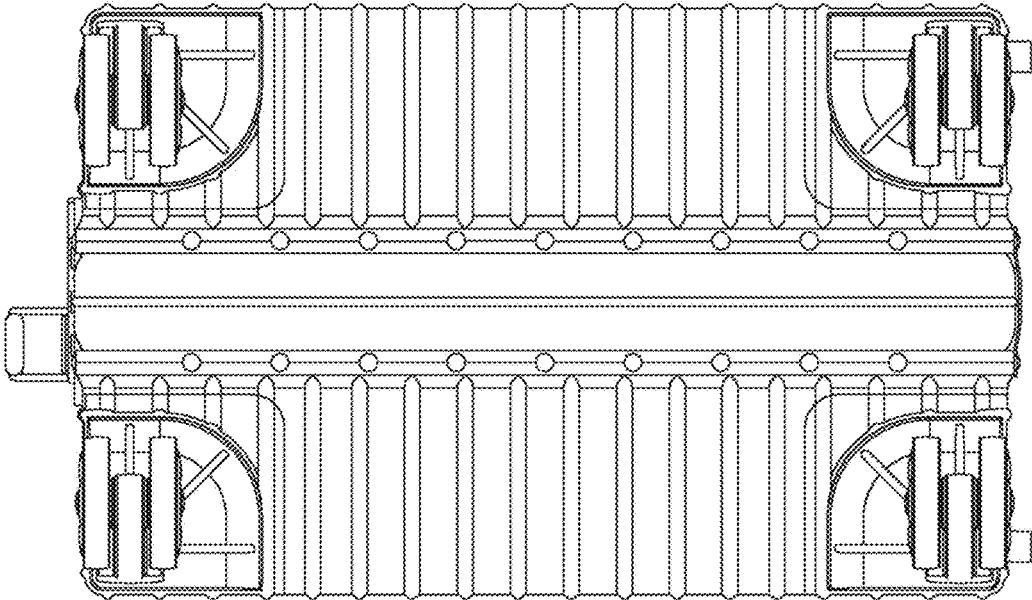


Fig. 6

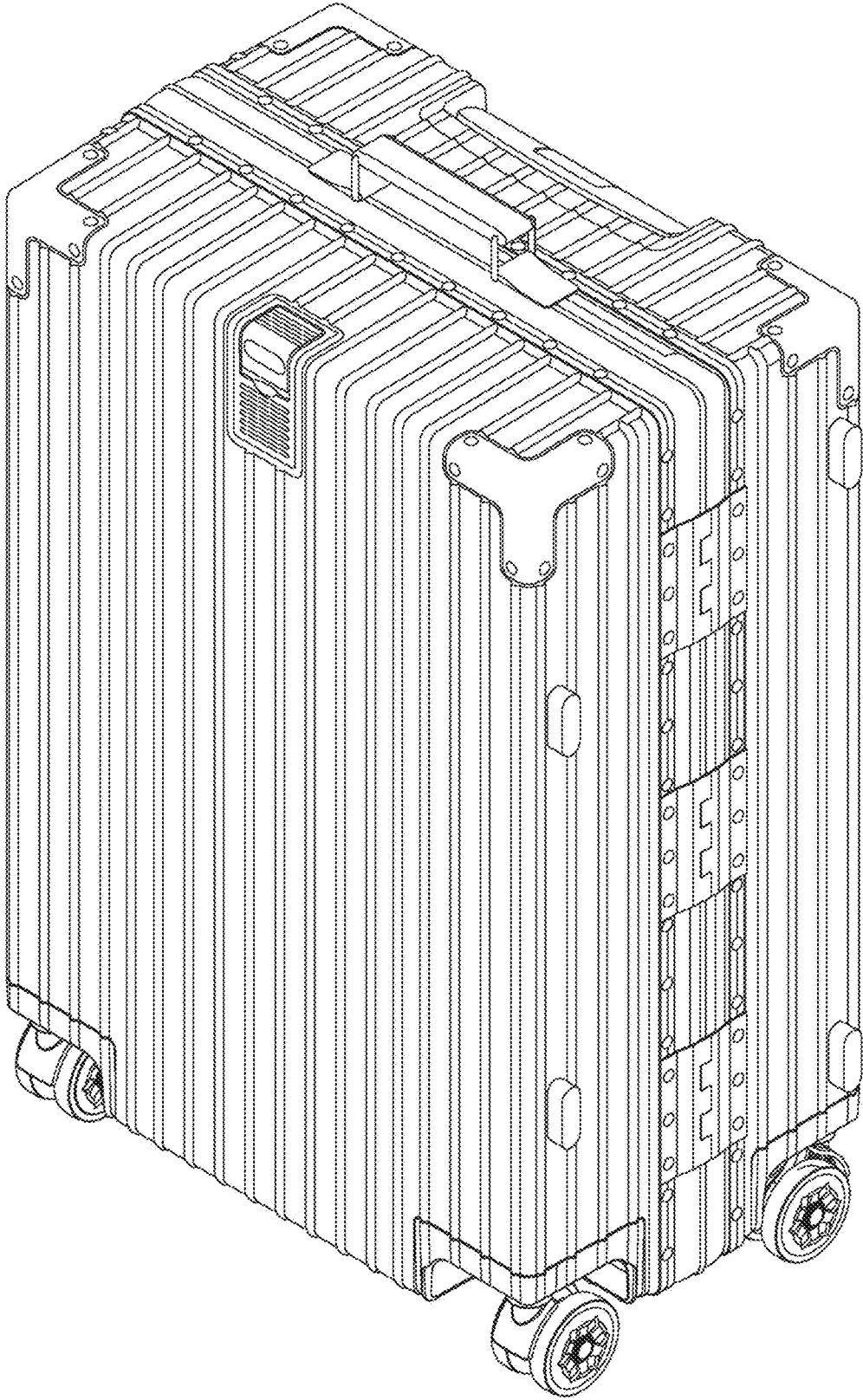


Fig. 7

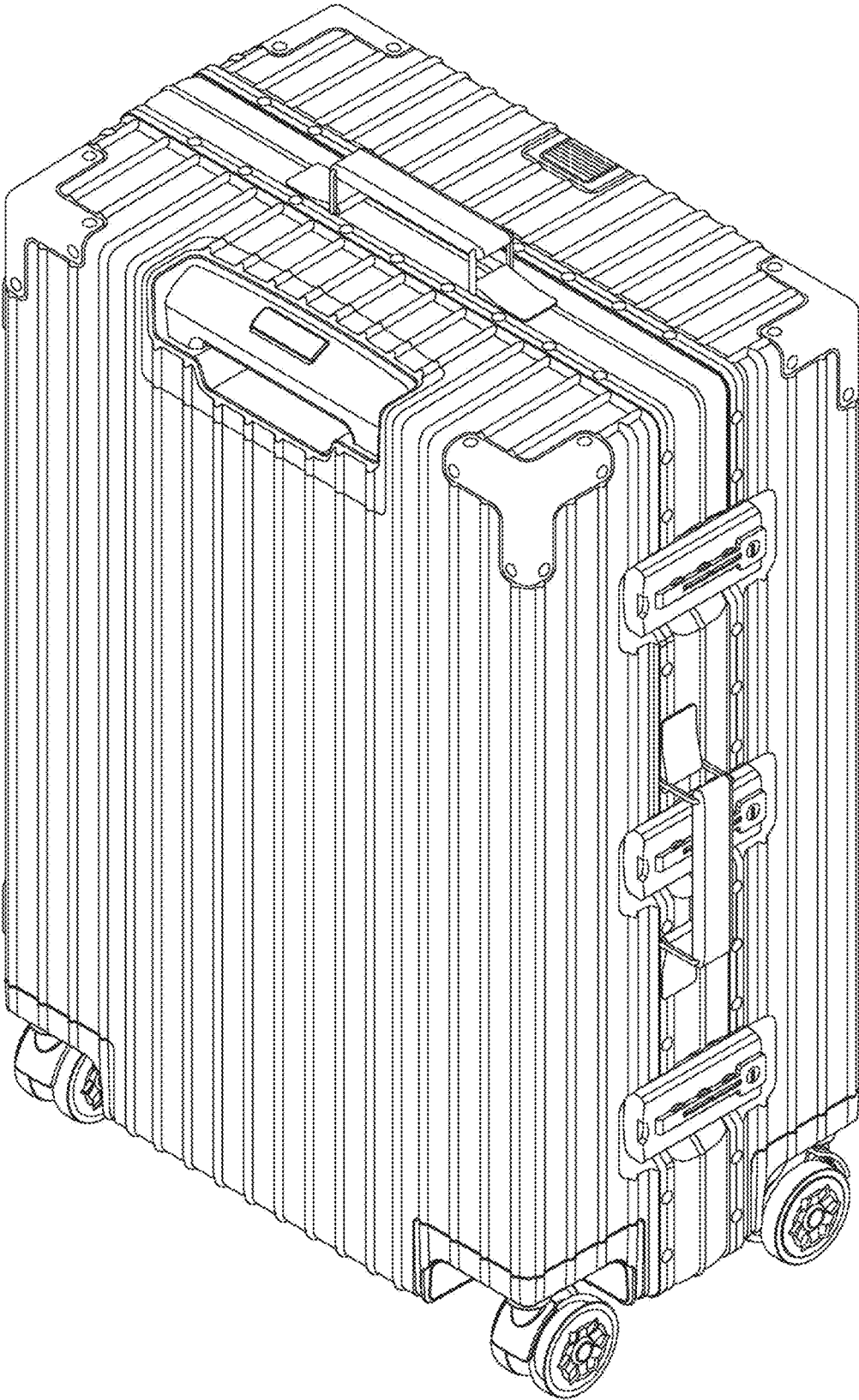


Fig. 8