



US00D484682S

(12) **United States Design Patent**
Sylvan

(10) **Patent No.:** **US D484,682 S**

(45) **Date of Patent:** **** Jan. 6, 2004**

- (54) **MUSICAL INSTRUMENT CASE**
- (75) Inventor: **Richard Sylvan**, Glenview, IL (US)
- (73) Assignee: **G. Leblanc Corporation**, Kenosha, WI (US)
- (**) Term: **14 Years**
- (21) Appl. No.: **29/175,193**
- (22) Filed: **Jan. 31, 2003**
- (51) **LOC (7) Cl.** **03-01**
- (52) **U.S. Cl.** **D3/204; D3/201; D3/273**
- (58) **Field of Search** **D3/201, 204, 269, D3/272, 273; 190/100, 900, 314; 206/14; 211/85.6; 224/910**

- 6,029,804 A * 2/2000 Flynn 206/14
- D464,196 S * 10/2002 Parker D3/273
- 6,462,260 B2 * 10/2002 Fediakov 84/327
- D469,955 S * 2/2003 Lauer D3/294

* cited by examiner

Primary Examiner—Celia Murphy
(74) *Attorney, Agent, or Firm*—Barnes & Thornburg

(57) **CLAIM**

What is claimed is the ornamental design for a musical instrument case, as shown and described.

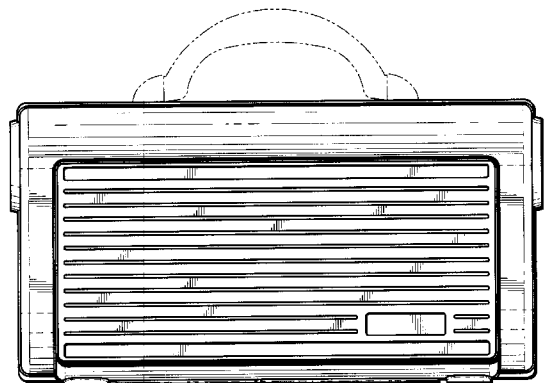
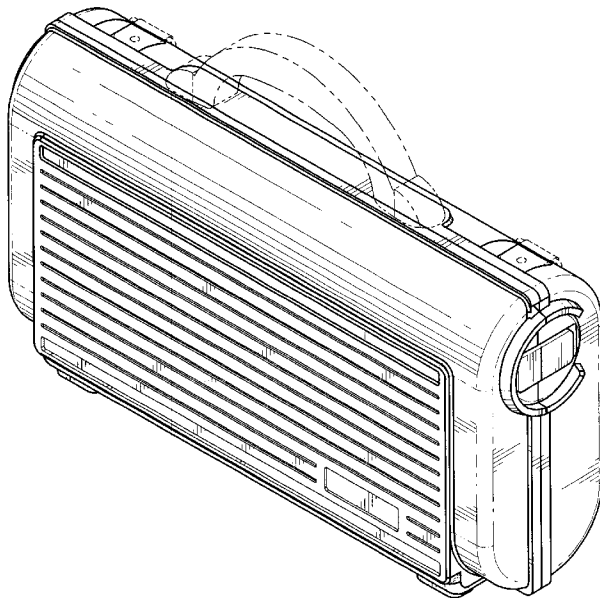
DESCRIPTION

FIG. 1 is a perspective view of a musical instrument case showing my new design;
 FIG. 2 is a front elevational view thereof;
 FIG. 3 is a rear elevational view thereof;
 FIG. 4 is a top plan view thereof;
 FIG. 5 is a bottom plan view thereof; and,
 FIG. 6 is a right side view thereof, the left side view is not shown as it is a mirror image of the right side view.
 The broken lines showing a handle and strap-fasteners, illustrate portions of the design that form no part of the claim.

(56) **References Cited**
U.S. PATENT DOCUMENTS

- D163,210 S * 5/1951 Long
- D201,487 S * 6/1965 De Vos
- D269,480 S * 6/1983 Peterson et al. D3/204
- D308,915 S * 7/1990 Lanius D3/284
- D353,048 S * 12/1994 VanSkiver et al. D3/276
- D384,807 S * 10/1997 Dougherty D3/204
- 5,806,673 A * 9/1998 Sanderson 206/314

1 Claim, 3 Drawing Sheets



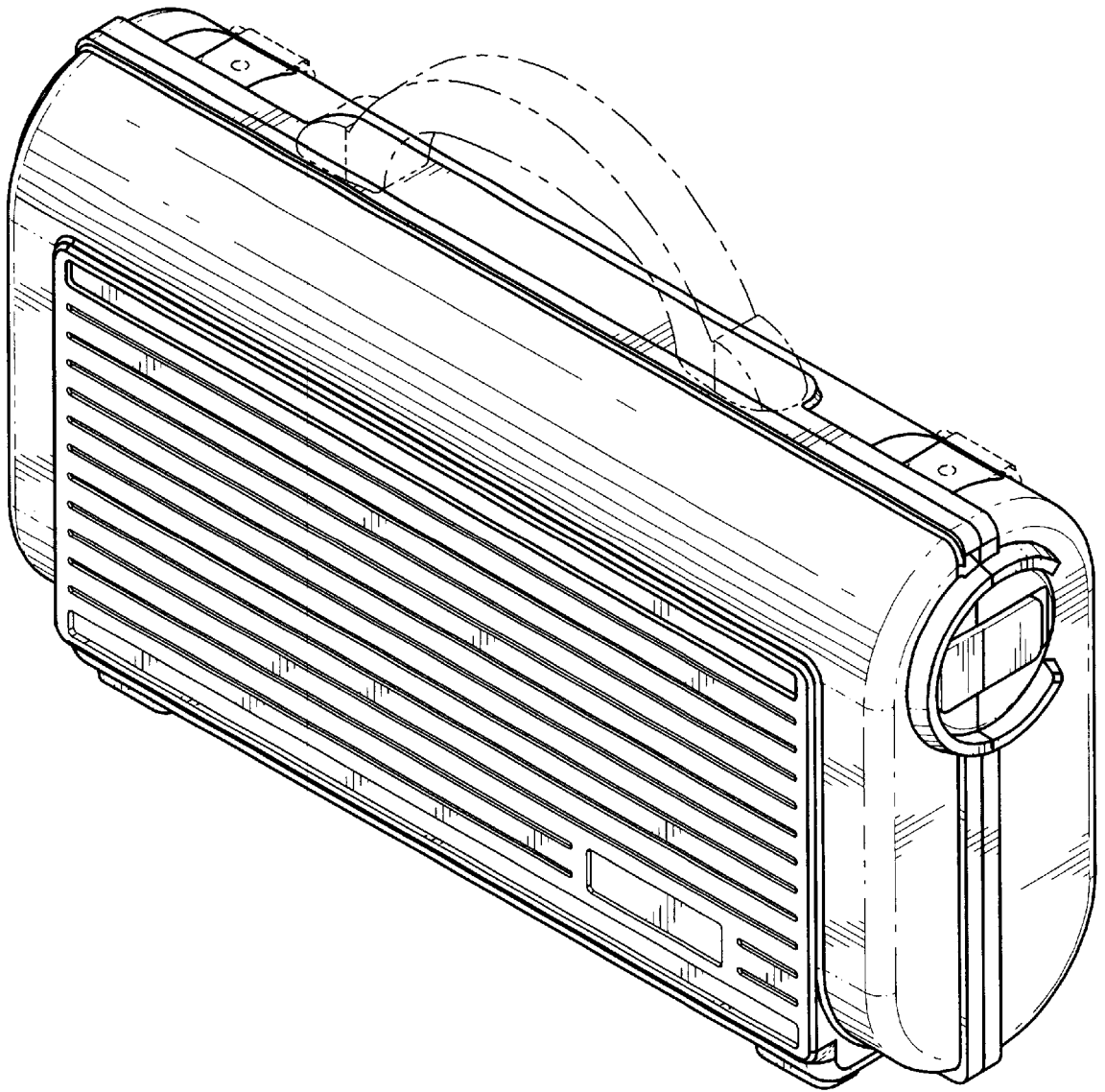


FIG. 1

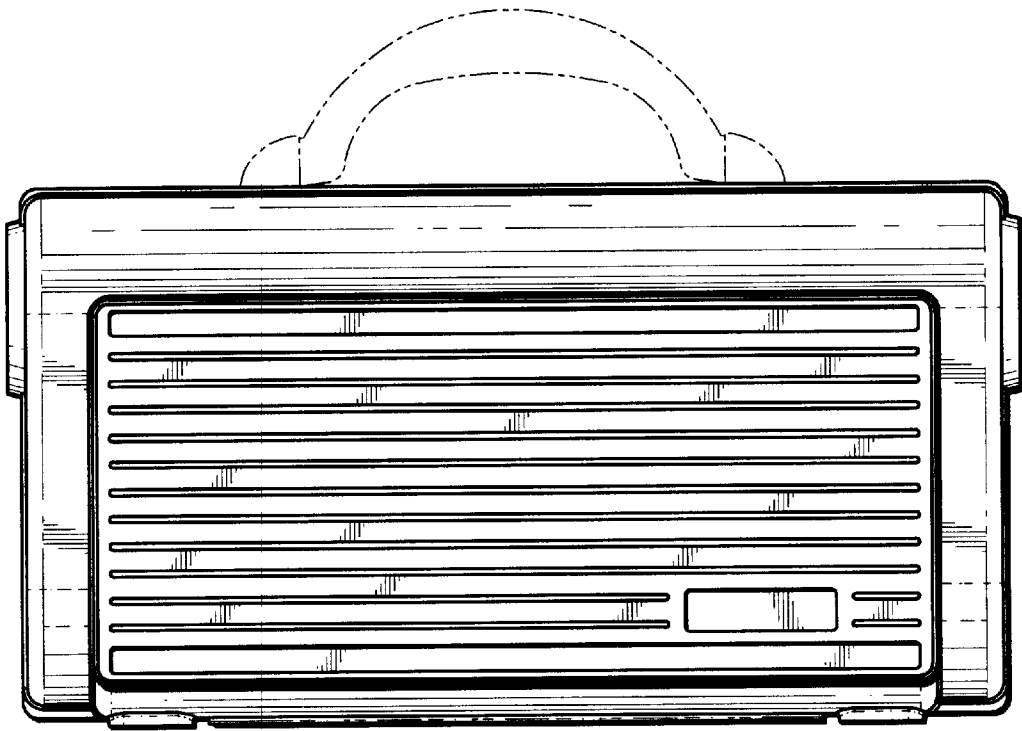


FIG. 2

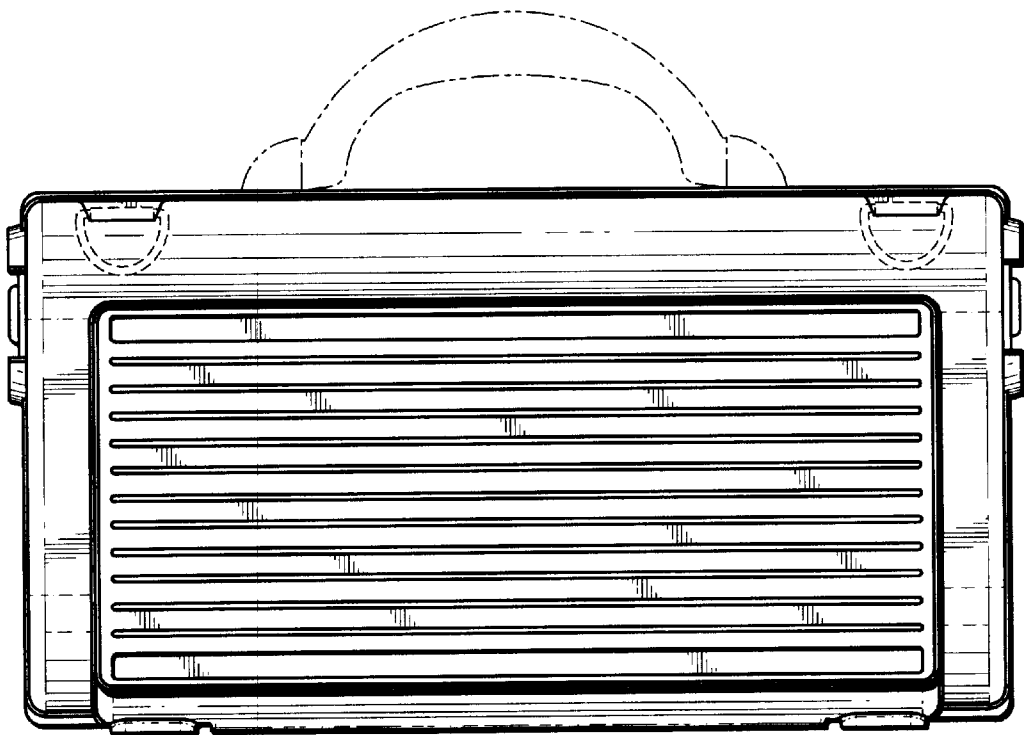


FIG. 3

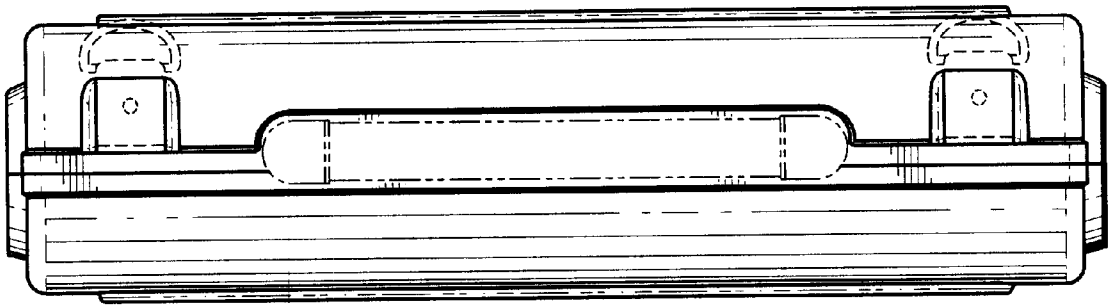


FIG. 4

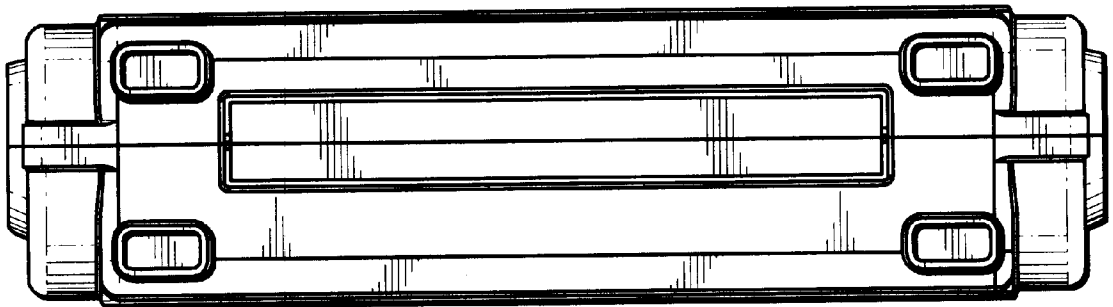


FIG. 5

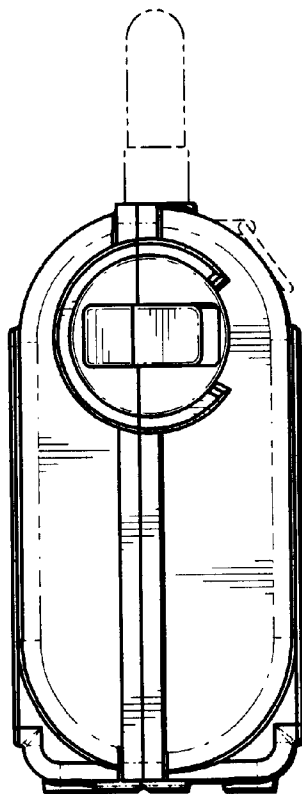


FIG. 6