



US00D741015S

(12) **United States Design Patent**
Sacks et al.

(10) **Patent No.:** **US D741,015 S**
(45) **Date of Patent:** **** Oct. 13, 2015**

- (54) **RAZOR HANDLE EXTENSION**
- (71) Applicant: **Skyworld Innovations, LLC**, Garland, TX (US)
- (72) Inventors: **Jeff Sacks**, Dallas, TX (US); **James J. Smith**, Garland, TX (US)
- (73) Assignee: **SKYWORLD INNOVATIONS**, Garland, TX (US)

- D279,824 S 7/1985 Halm
- D279,930 S 7/1985 George
- D283,260 S 4/1986 Alvarez
- D290,532 S 6/1987 George
- D293,036 S 12/1987 Iten et al.
- D302,739 S 8/1989 Beuchat
- D305,265 S 12/1989 Motta et al.
- D306,496 S 3/1990 Newberry, Jr.
- 4,905,372 A 3/1990 Willis
- D309,355 S 7/1990 Shurtleff
- D310,428 S 9/1990 Gerardiello

(Continued)

(**) Term: **14 Years**

Primary Examiner — Jennifer Rivard

(21) Appl. No.: **29/475,631**

(57) **CLAIM**

The ornamental design for a razor handle extension, as shown and described.

(22) Filed: **Dec. 4, 2013**

(51) **LOC (10) Cl.** **28-03**

(52) **U.S. Cl.**

USPC **D28/48**

(58) **Field of Classification Search**

USPC D28/48, 47, 54; 30/531, 526, 527

CPC B26B 21/523; B26B 21/521; B26B 21/52

See application file for complete search history.

DESCRIPTION

FIG. 1 is an isometric view of the razor handle extension embodying our new design;

FIG. 2 is a front end view of razor handle extension;

FIG. 3 is a back end view of the razor handle extension;

FIG. 4 is a right side view of the razor handle extension;

FIG. 5 is a left side view of the razor handle extension;

FIG. 6 is a top view of the razor handle extension;

FIG. 7 is a bottom view of the razor handle extension;

FIG. 8 is an alternate isometric view of the razor handle extension;

FIG. 9 is an environmental view of the razor handle extension; and,

FIG. 10 is a perspective view of an alternate embodiment of the razor handle extension.

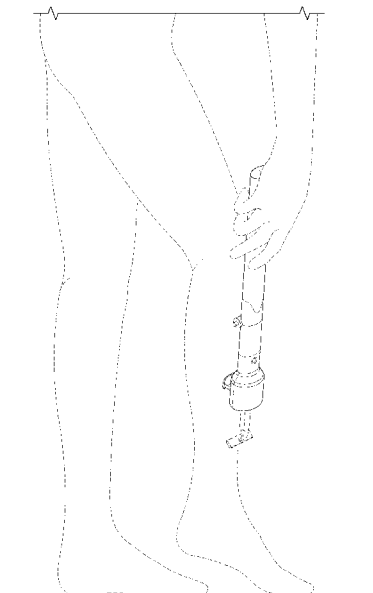
The broken lines in FIGS. 1-8 and 10 illustrate portions of the razor handle extension. The broken lines in FIG. 9 illustrate the environment. None of the broken lines forms part of the claimed design.

(56) **References Cited**

U.S. PATENT DOCUMENTS

- 4,037,322 A 7/1977 Bresler
- D248,878 S 8/1978 Halm
- 4,129,942 A 12/1978 Denizman
- D252,710 S 8/1979 Picinic
- D255,387 S 6/1980 Glaberson
- D257,793 S 1/1981 Gray
- D258,242 S 2/1981 Hood et al.
- D261,564 S 10/1981 Poisson
- D261,565 S 10/1981 Grange
- D266,960 S 11/1982 Gray et al.
- D271,625 S 11/1983 Gray
- D277,987 S 3/1985 Jacobson et al.
- D279,613 S 7/1985 Hannemann

1 Claim, 6 Drawing Sheets



(56)

References Cited

U.S. PATENT DOCUMENTS

D312,143 S	11/1990	Schwarz	
D321,953 S	11/1991	Gray	
D325,653 S	4/1992	Tilley et al.	
D325,689 S	4/1992	Gray	
5,167,069 A	12/1992	Quinn	
D335,722 S	5/1993	Gray	
D345,441 S	3/1994	Gray	
D345,821 S	4/1994	Wonderley	
D355,049 S	1/1995	Yasui	
D365,419 S	12/1995	Kamiya	
D370,741 S	6/1996	Wonderley	
D375,408 S	11/1996	Muller	
D377,238 S	1/1997	Byrne	
5,600,887 A	2/1997	Olson	
D378,623 S	3/1997	Wonderley	
D386,821 S	11/1997	Shurtleff et al.	
5,704,127 A *	1/1998	Cordio	30/49
D391,021 S	2/1998	van Oene	
D392,416 S	3/1998	Wonderley	
D397,512 S	8/1998	Gray	
D402,403 S	12/1998	Motta et al.	
D403,113 S	12/1998	Kohring et al.	
D407,851 S	4/1999	Shurtleff	
D408,101 S	4/1999	Shurtleff	
D408,584 S	4/1999	Ido et al.	
5,911,480 A	6/1999	Morgan	
D414,298 S	9/1999	Pennella et al.	
D414,899 S	10/1999	Pinchuk	
D415,316 S	10/1999	Prochaska	
D415,317 S	10/1999	Aiston	
D416,109 S	11/1999	Wonderley	
D416,646 S	11/1999	Pinchuk	
D417,034 S	11/1999	Shurtleff	
D419,265 S	1/2000	Gray	
6,052,905 A	4/2000	Branchinelli et al.	
D425,250 S	5/2000	Gray	
D425,251 S	5/2000	Gray	
D431,681 S	10/2000	Seger	
D435,144 S	12/2000	Chenvainu et al.	
D435,316 S	12/2000	Chenvainu et al.	
6,189,222 B1 *	2/2001	Doyle	30/531
D439,015 S	3/2001	Wonderley	
D441,910 S	5/2001	Prochaska	
D444,267 S	6/2001	Gray	
D445,958 S	7/2001	Dansreau et al.	
6,266,888 B1	7/2001	Zowaski	
D446,884 S	8/2001	Kohring et al.	
D452,348 S	12/2001	Wonderley	
D457,684 S	5/2002	Wonderley	
D458,410 S	6/2002	Shepperson	
D458,709 S	6/2002	Wonderley	
D463,622 S	9/2002	Harrington	
D472,673 S	4/2003	Carvotta et al.	
D475,159 S	5/2003	Fisher	
6,598,303 B2	7/2003	Bosy et al.	
D478,687 S	8/2003	Provost	
D483,526 S	12/2003	Efthimiadis et al.	
D491,690 S	6/2004	Yamashita	
D500,172 S *	12/2004	Fields	D28/46
D502,291 S	2/2005	King	
D507,379 S	7/2005	Alphonso	
6,915,580 B2	7/2005	Dassel	
D510,643 S	10/2005	Gray	
D511,024 S	10/2005	Dombrowski et al.	
D511,223 S	11/2005	Miyazaki et al.	
D513,442 S	1/2006	Miyazaki et al.	
D515,243 S	2/2006	Dibnah et al.	
D516,244 S	2/2006	Efthimiadis et al.	
7,028,407 B2	4/2006	Ehrlich et al.	
D527,492 S	8/2006	Wonderley et al.	
7,103,980 B2	9/2006	Leventhal	
D533,964 S	12/2006	Ham	
D534,316 S	12/2006	Bozikis et al.	
D534,685 S	1/2007	Cicccone et al.	
D534,686 S	1/2007	Provost et al.	
D534,687 S	1/2007	Dombrowski et al.	
D534,688 S	1/2007	Provost et al.	
D536,133 S	1/2007	Bozikis et al.	
D536,830 S	2/2007	Ramm et al.	
D537,204 S	2/2007	Ramm et al.	
D537,207 S	2/2007	Wonderley et al.	
7,195,635 B2	3/2007	Kreutz et al.	
D540,985 S	4/2007	Rhoad et al.	
D541,474 S	4/2007	Psimadas et al.	
D541,476 S	4/2007	Rhoad et al.	
D541,477 S	4/2007	Rhoad et al.	
D542,470 S	5/2007	Bunnell et al.	
D542,471 S	5/2007	Bunnell et al.	
D542,472 S	5/2007	Sakurai	
7,211,090 B2	5/2007	Kreutz et al.	
7,234,239 B2	6/2007	Saito et al.	
7,235,085 B1	6/2007	Tahir	
D547,904 S	7/2007	Wonderley	
D550,401 S	9/2007	Rhoad et al.	
7,270,641 B2	9/2007	Glucksman et al.	
7,300,443 B2	11/2007	Lau et al.	
D558,923 S	1/2008	Watson et al.	
D559,455 S	1/2008	Padain et al.	
D560,032 S	1/2008	Lopez	
D560,033 S	1/2008	Rhoad et al.	
D560,851 S	1/2008	Rhoad et al.	
D563,045 S	2/2008	Provost et al.	
D563,046 S	2/2008	Provost et al.	
D563,047 S	2/2008	Ramm et al.	
D568,000 S	4/2008	Wonderley et al.	
D568,538 S	5/2008	Rhoad et al.	
D568,539 S	5/2008	Micinilio et al.	
D568,540 S	5/2008	Micinilio et al.	
D569,039 S	5/2008	Rhoad	
D569,040 S	5/2008	Micinilio et al.	
D571,955 S	6/2008	Wonderley et al.	
7,402,165 B2	7/2008	Saitou et al.	
D611,655 S *	3/2010	Askew	D28/48
D656,675 S *	3/2012	Payne	D28/48
2003/0177648 A1	9/2003	Zeiter	
2003/0208914 A1	11/2003	Ehrlich et al.	
2004/0107585 A1	6/2004	Helmrich	
2004/0194325 A1	10/2004	Ehrlich et al.	
2007/0119059 A1	5/2007	Leventhal	
2007/0227015 A1	10/2007	Collins	
2008/0110025 A1	5/2008	Bucalo	

* cited by examiner

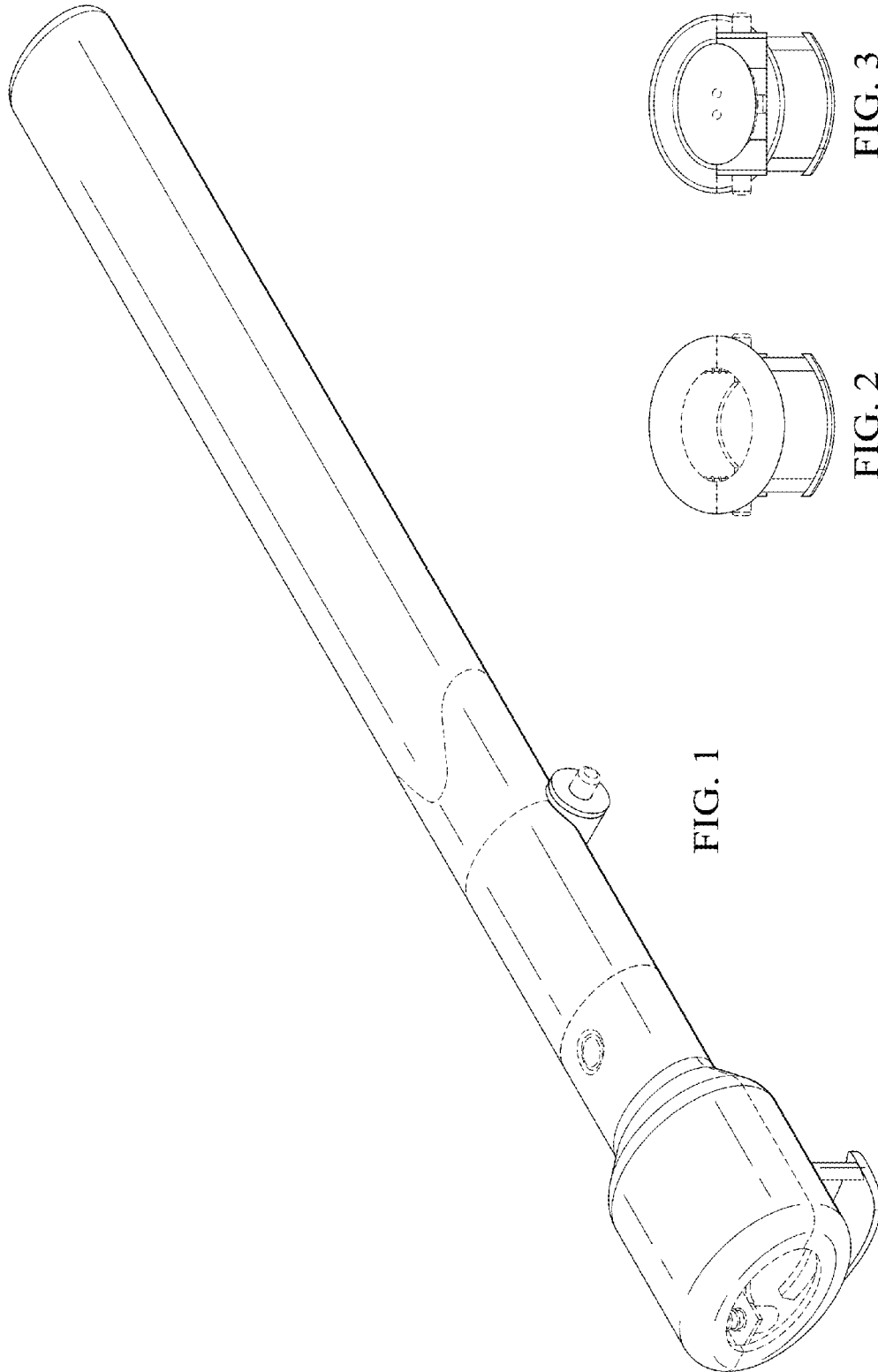


FIG. 1

FIG. 2

FIG. 3

FIG. 4

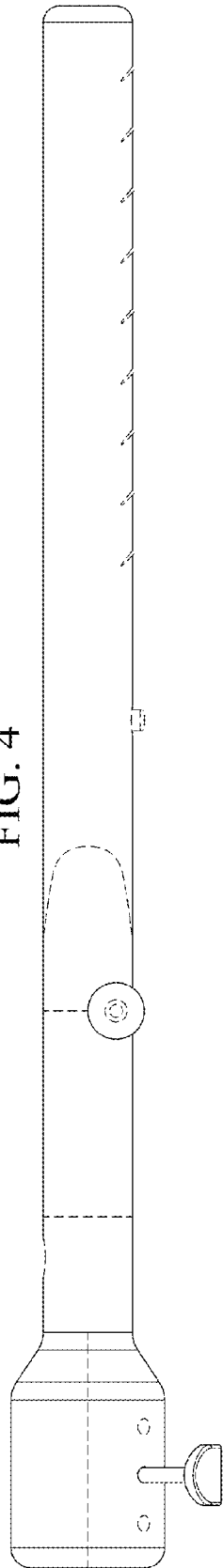
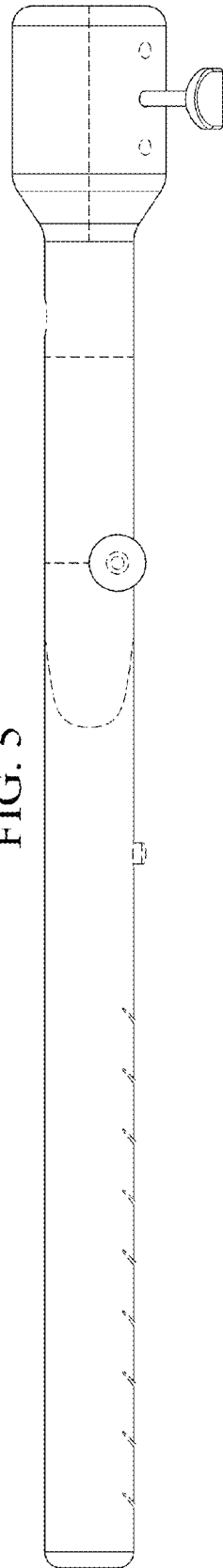


FIG. 5



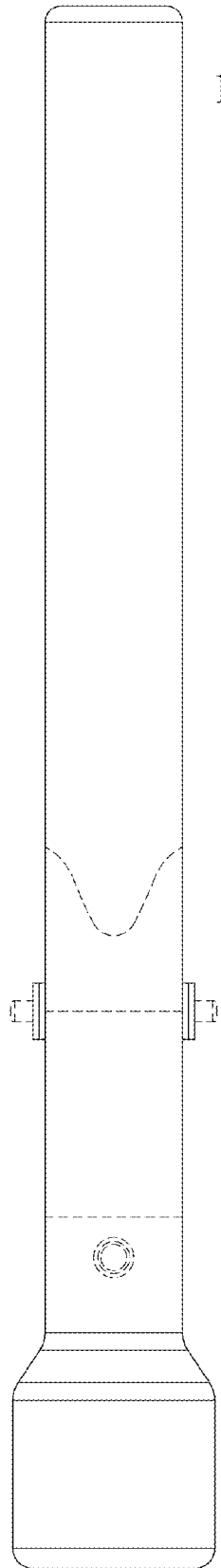
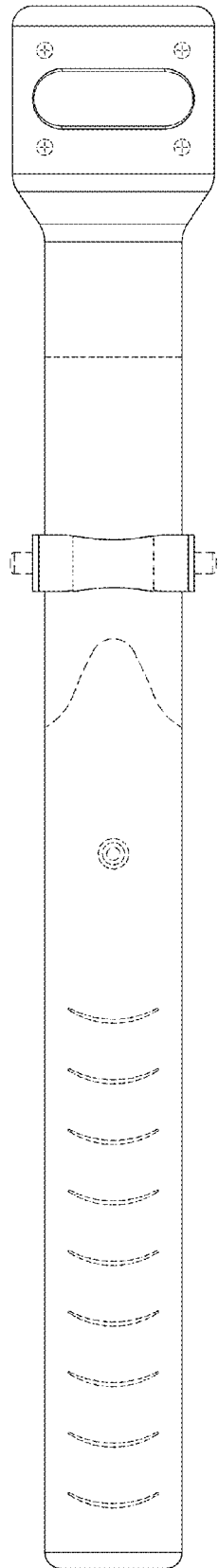


FIG. 6

FIG. 7



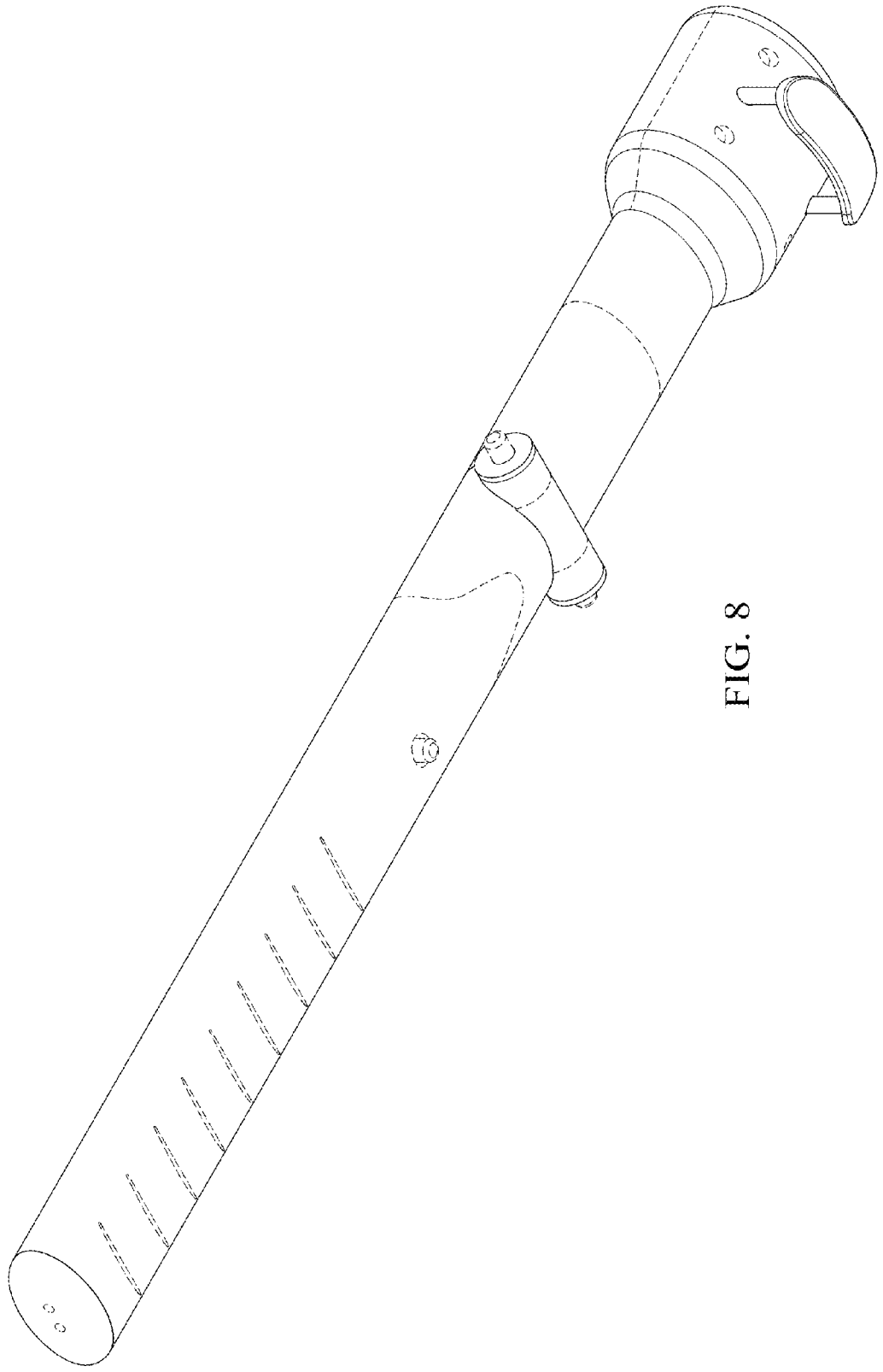
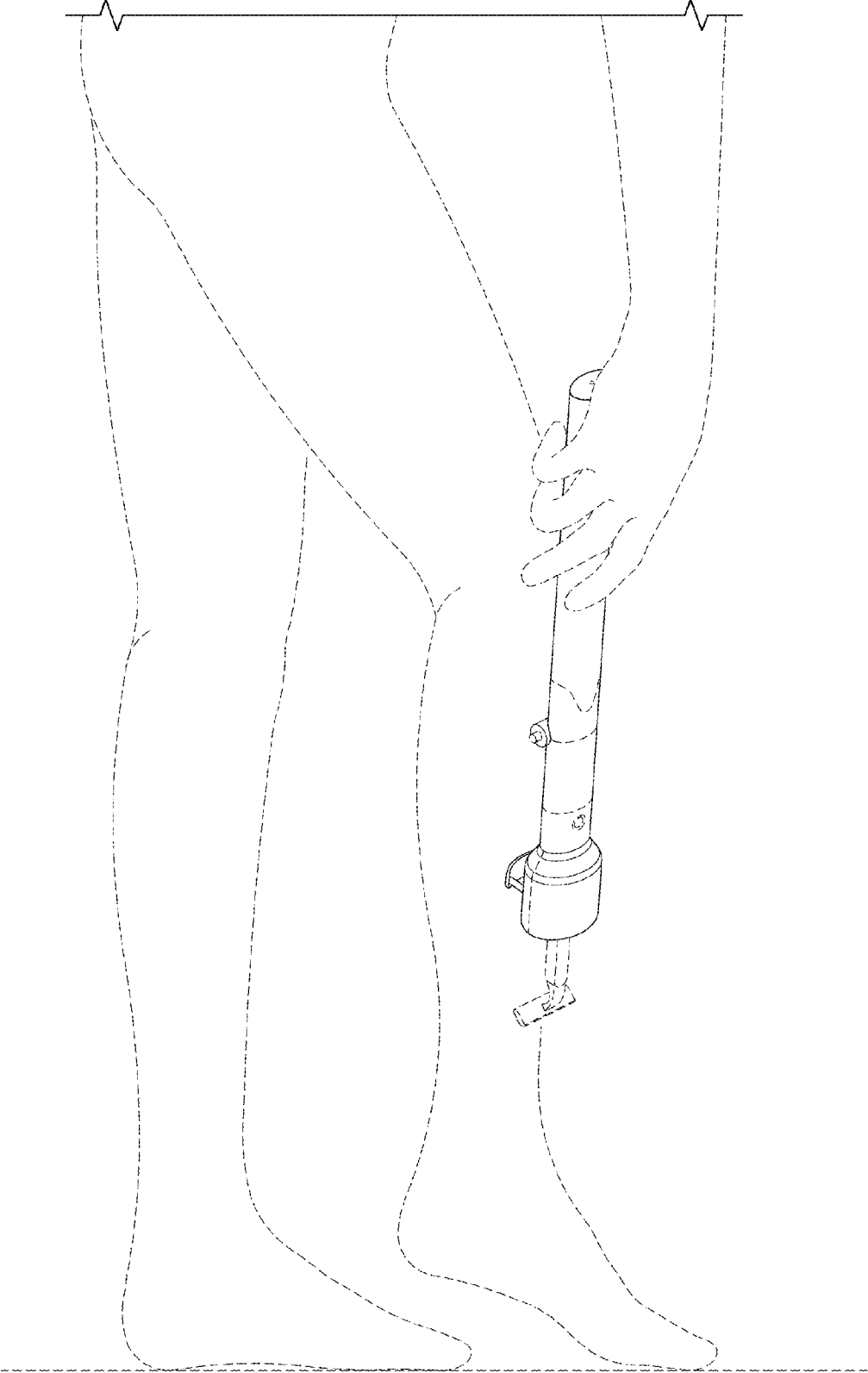


FIG. 8

FIG. 9



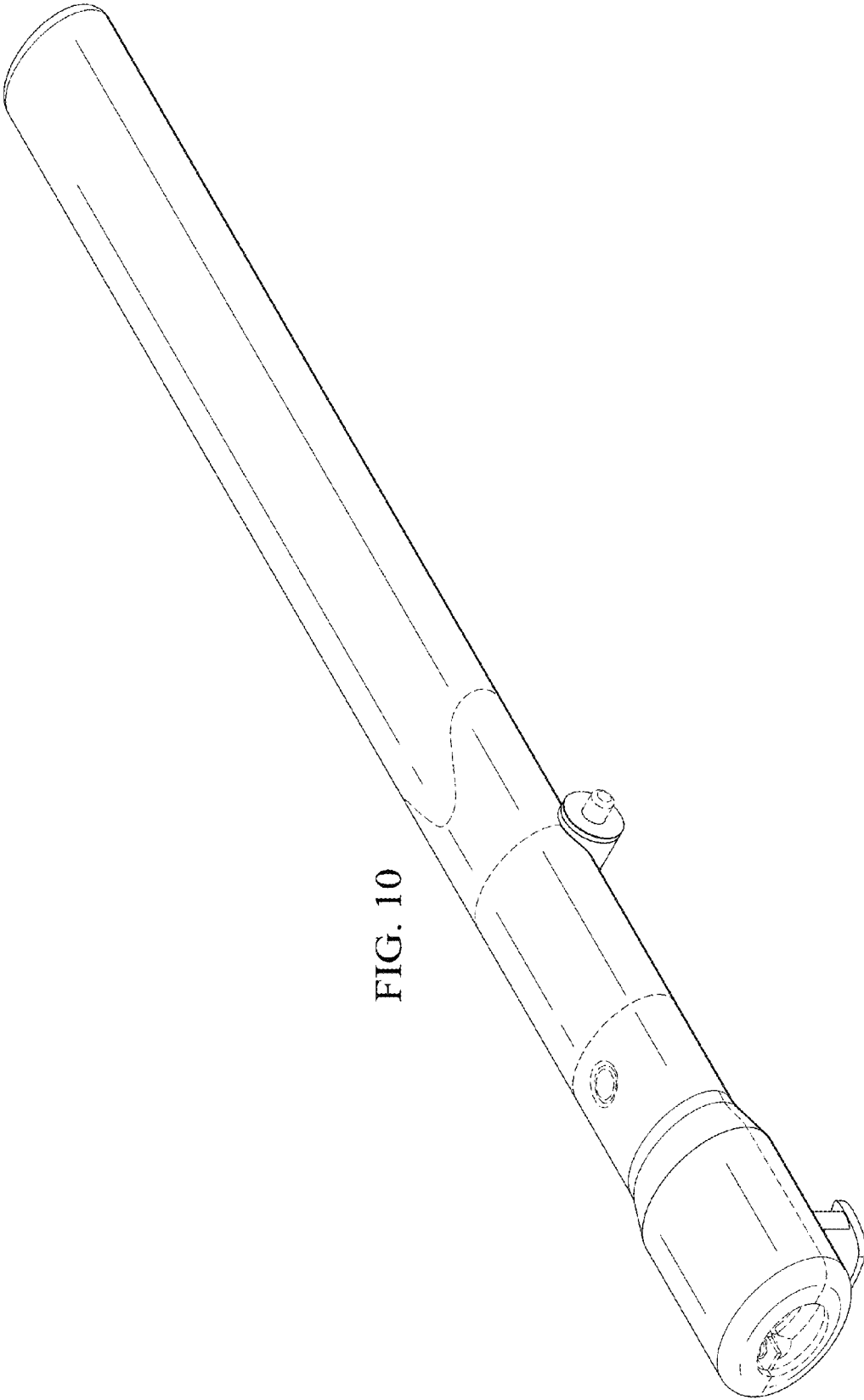


FIG. 10