



US00D735239S

(12) **United States Design Patent**
Yong

(10) **Patent No.:** **US D735,239 S**

(45) **Date of Patent:** **** Jul. 28, 2015**

(54) **PUMP**

D440,229 S * 4/2001 Balint D15/7
D497,915 S * 11/2004 Bowen D15/7
8,240,513 B2 * 8/2012 Voskuil et al. 222/144

(71) Applicant: **Wilmar Corporation**, Renton, WA (US)

* cited by examiner

(72) Inventor: **Yu Jian Yong**, Linhai (CN)

Primary Examiner — Ralf Seifert

(73) Assignee: **Wilmar Corporation**, Renton, WA (US)

(74) *Attorney, Agent, or Firm* — Baumgartner Patent Law;
Marc Baumgartner

(**) Term: **14 Years**

(21) Appl. No.: **29/479,524**

(57) **CLAIM**

The ornamental design for a pump, as shown and described.

(22) Filed: **Jan. 16, 2014**

(51) **LOC (10) Cl.** **15-02**

(52) **U.S. Cl.**

USPC **D15/7**

(58) **Field of Classification Search**

USPC D15/7-9; D23/231, 232; 417/410.1,
417/359, 415-416, 234, 321, 265, 405
CPC F04B 25/00; F04B 27/00; F04B 33/00;
F04B 35/00; F04B 37/00; F04B 39/00;
F04B 39/12; F04B 41/00; B67D 7/78

See application file for complete search history.

DESCRIPTION

FIG. 1 is a perspective view of an embodiment of a pump embodying my design;

FIG. 2 is a front view of the pump of FIG. 1;

FIG. 3 is a first side view of the pump of FIG. 1;

FIG. 4 is a second side view of the pump of FIG. 1;

FIG. 5 is a rear view of the pump of FIG. 1;

FIG. 6 is a top view of the pump of FIG. 1; and,

FIG. 7 is a bottom view of the pump of FIG. 1.

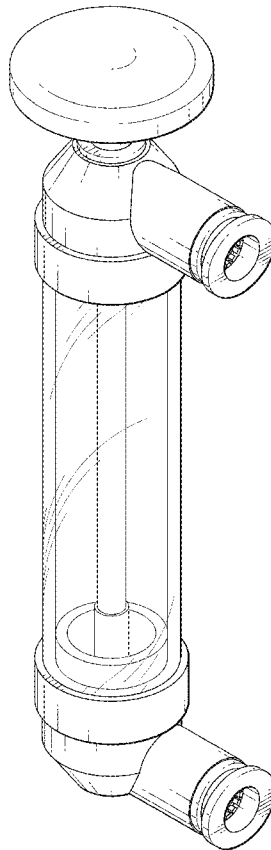
The scale shown in the drawings is for illustrative purposes only and forms no part of the claimed design. Additionally, the broken lines shown herein are included for the purpose of illustrating an environment of the article and form no part of the claimed design.

(56) **References Cited**

U.S. PATENT DOCUMENTS

D254,671 S * 4/1980 Johnson et al. D15/7
D280,902 S * 10/1985 Maruyama D15/7

1 Claim, 3 Drawing Sheets



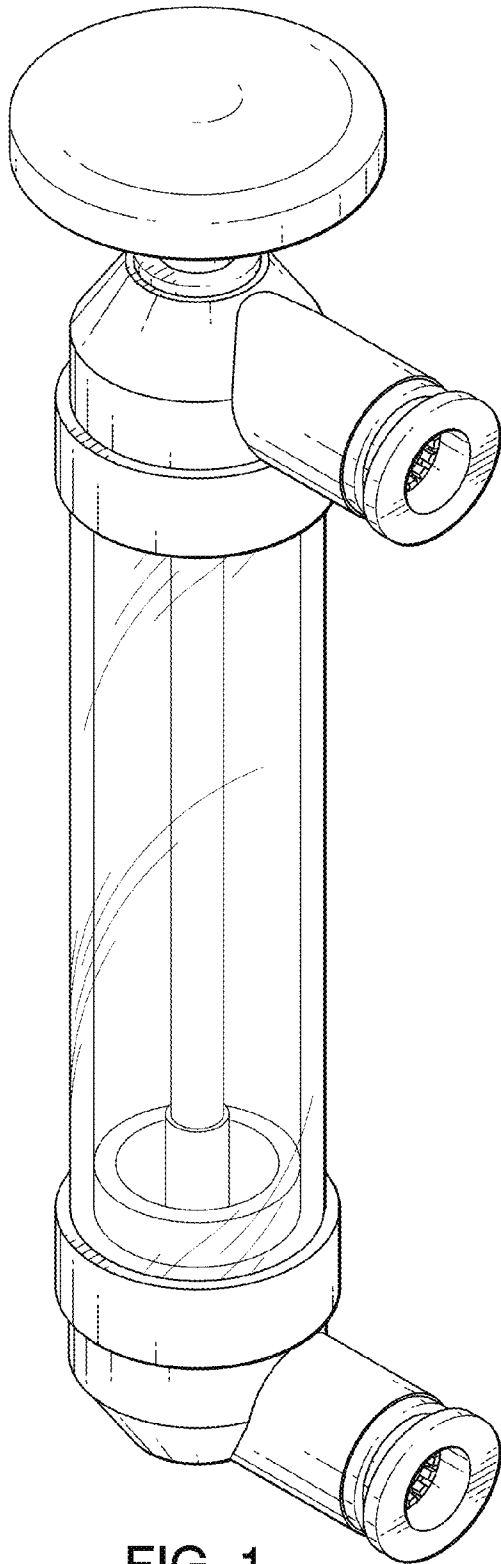


FIG. 1

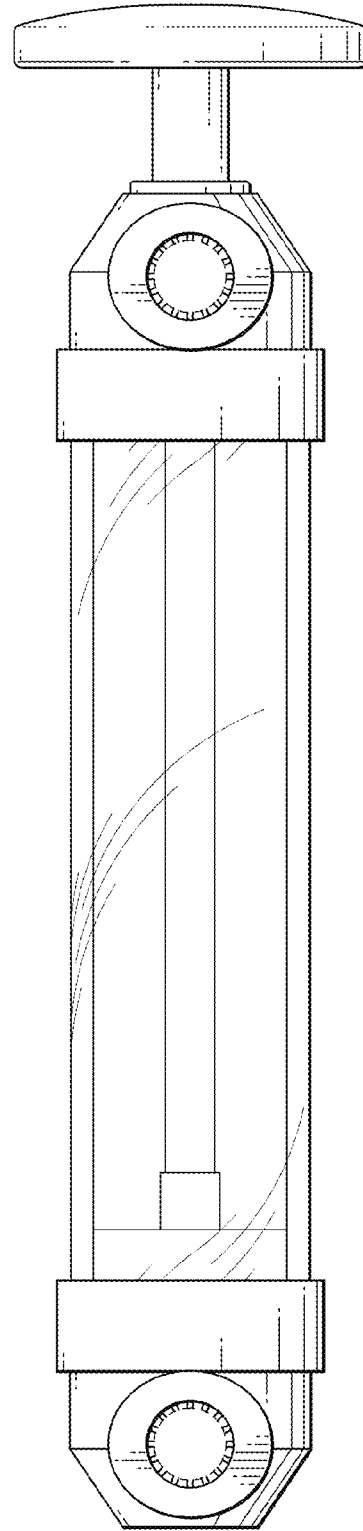


FIG. 2

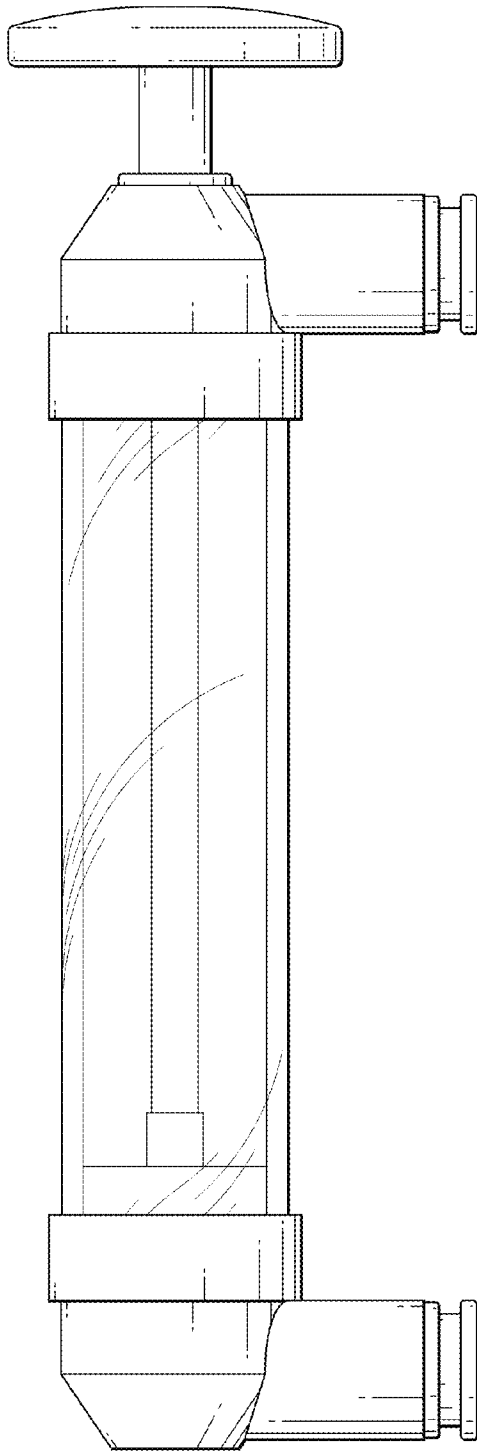


FIG. 3

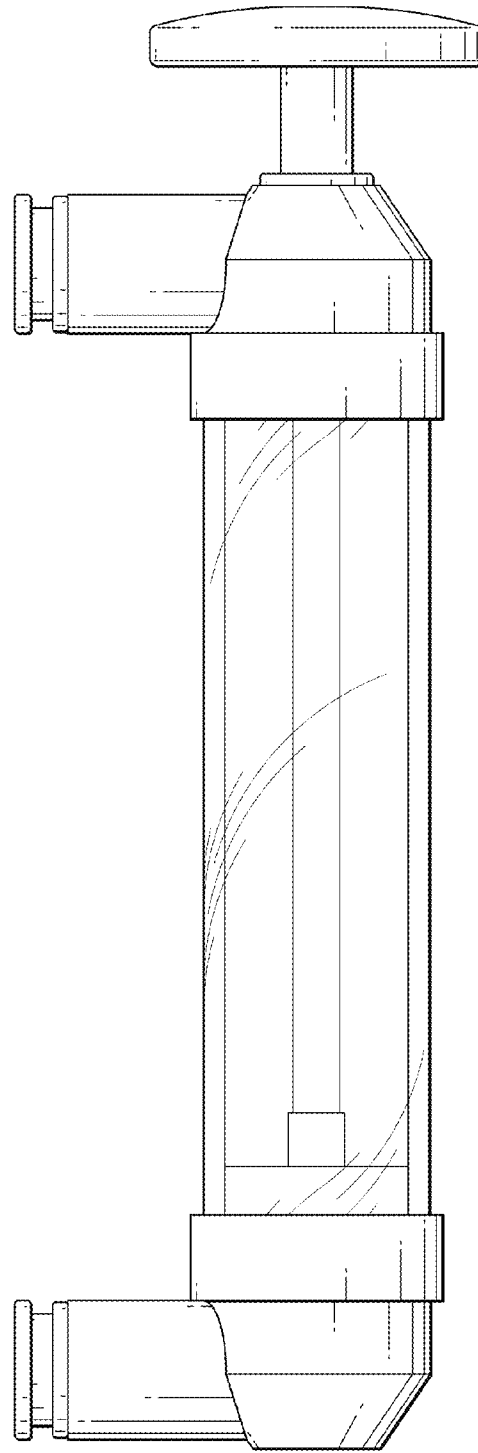


FIG. 4

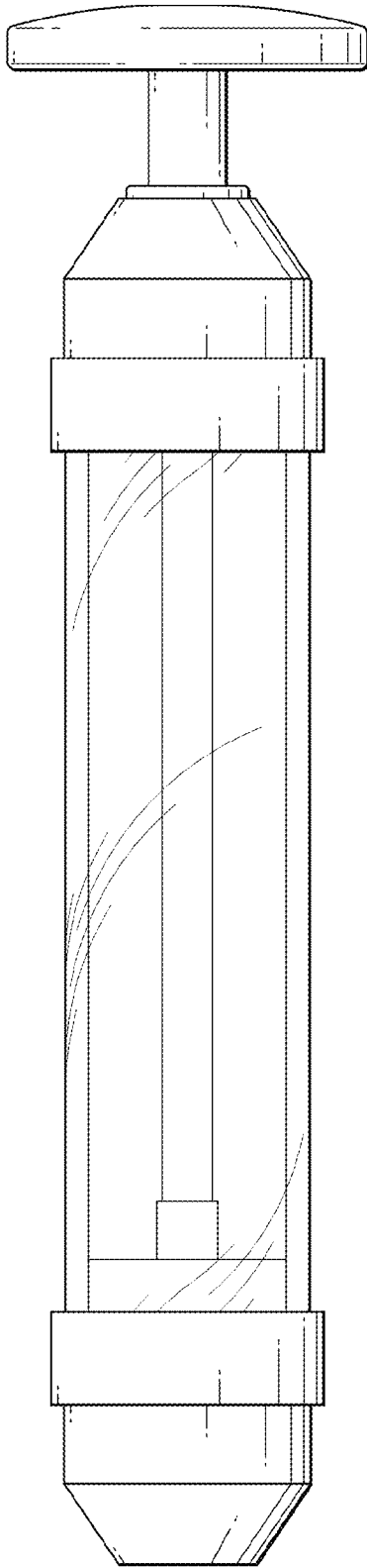


FIG. 5

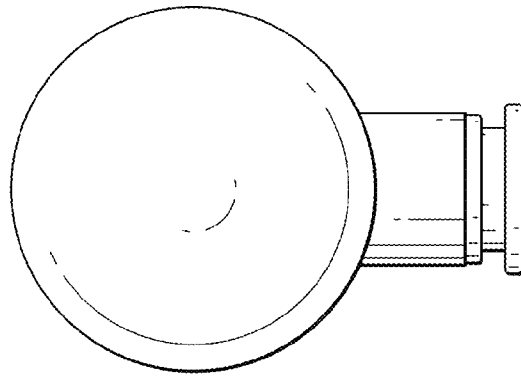


FIG. 6

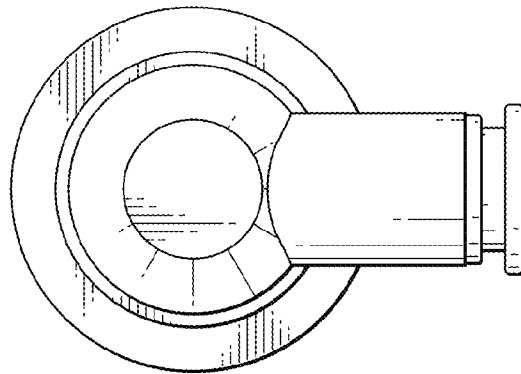


FIG. 7