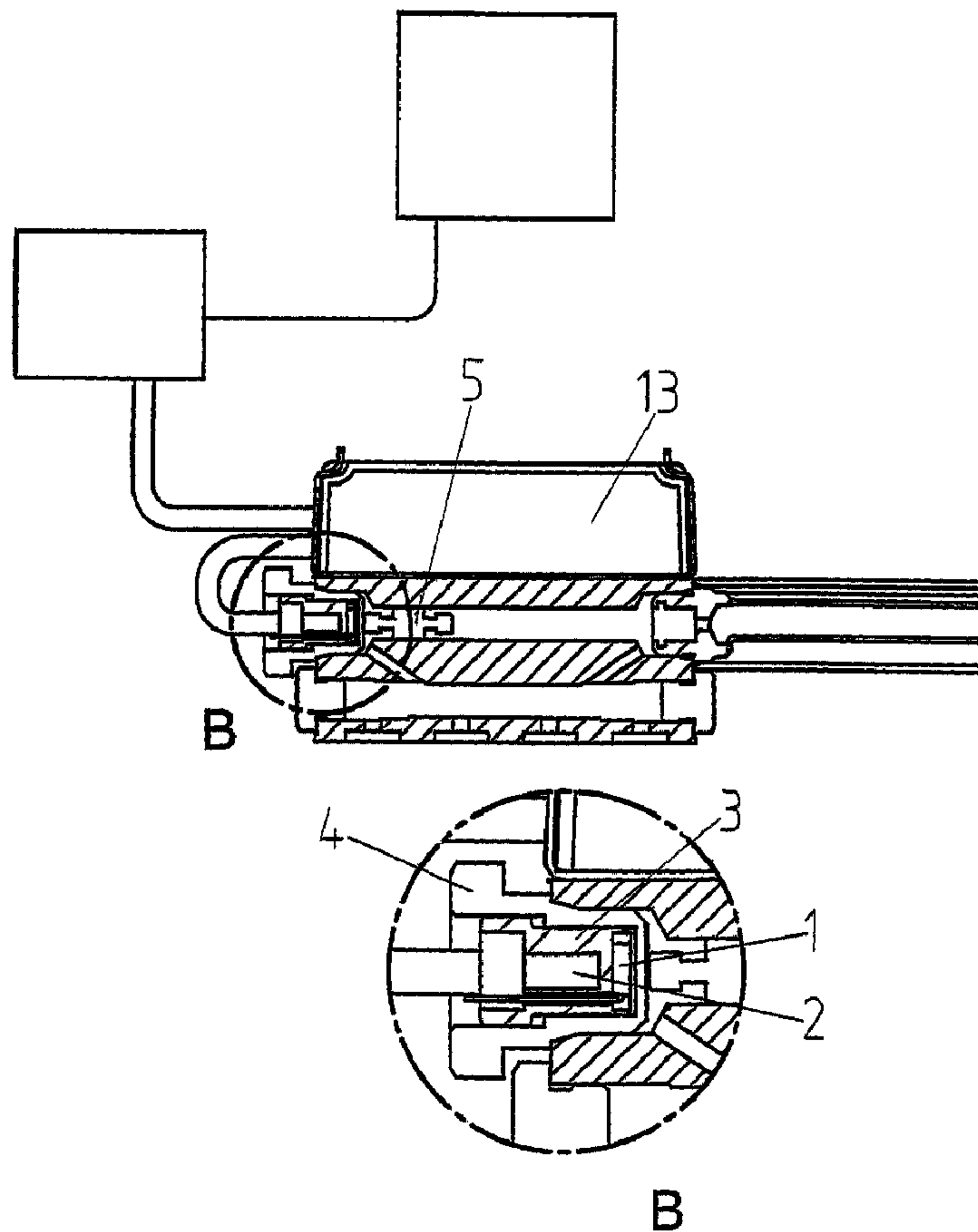




(86) Date de dépôt PCT/PCT Filing Date: 2004/06/28
 (87) Date publication PCT/PCT Publication Date: 2005/01/13
 (45) Date de délivrance/Issue Date: 2012/01/03
 (85) Entrée phase nationale/National Entry: 2005/12/28
 (86) N° demande PCT/PCT Application No.: FI 2004/000393
 (87) N° publication PCT/PCT Publication No.: 2005/003620
 (30) Priorité/Priority: 2003/07/03 (FI20031008)

(51) Cl.Int./Int.Cl. *F16N 7/38* (2006.01),
F16N 25/00 (2006.01)
 (72) Inventeur/Inventor:
MOILANEN, TEUVO, FI
 (73) Propriétaire/Owner:
OSAKYHTIO SKF AKTIEBOLAG, FI
 (74) Agent: NORTON ROSE OR S.E.N.C.R.L., S.R.L./LLP

(54) Titre : DISPOSITIF RELIE A UN SYSTEME DE LUBRIFICATION CENTRAL
 (54) Title: ARRANGEMENT IN CONNECTION WITH CENTRAL LUBRICATION SYSTEM



(57) Abrégé/Abstract:

The invention relates to an arrangement in connection with a central lubrication system, the arrangement comprising a lubricant vessel, a pump unit, a control unit, pipe systems, a pressure monitor unit, at least one lubricant feeder provided with at least one

(57) Abrégé(suite)/Abstract(continued):

piston (5) which moves due to the influence of the pressure of a lubricant present in the pipe system/object to be lubricated, and a movement monitor unit to monitor the operation of the feeder. The invention is characterized in that the movement monitor unit comprises a sensor part (3) mounted to a nipple (4) manufactured from a weakly magnetable material. The nipple (4), in turn, comprises a permanent magnet (2) in order to generate a magnetic field, and a sensor (4) for detecting movement of the piston (5), and an electronics part (13) which processes a signal received from the sensor (4) and produced as a result of a change in the magnetic field caused by the movement of the piston (5) with respect to the sensor part (3), and forwards this processed signal to the control unit.

(12) INTERNATIONAL APPLICATION PUBLISHED UNDER THE PATENT COOPERATION TREATY (PCT)

(19) World Intellectual Property
Organization
International Bureau



(43) International Publication Date
13 January 2005 (13.01.2005)

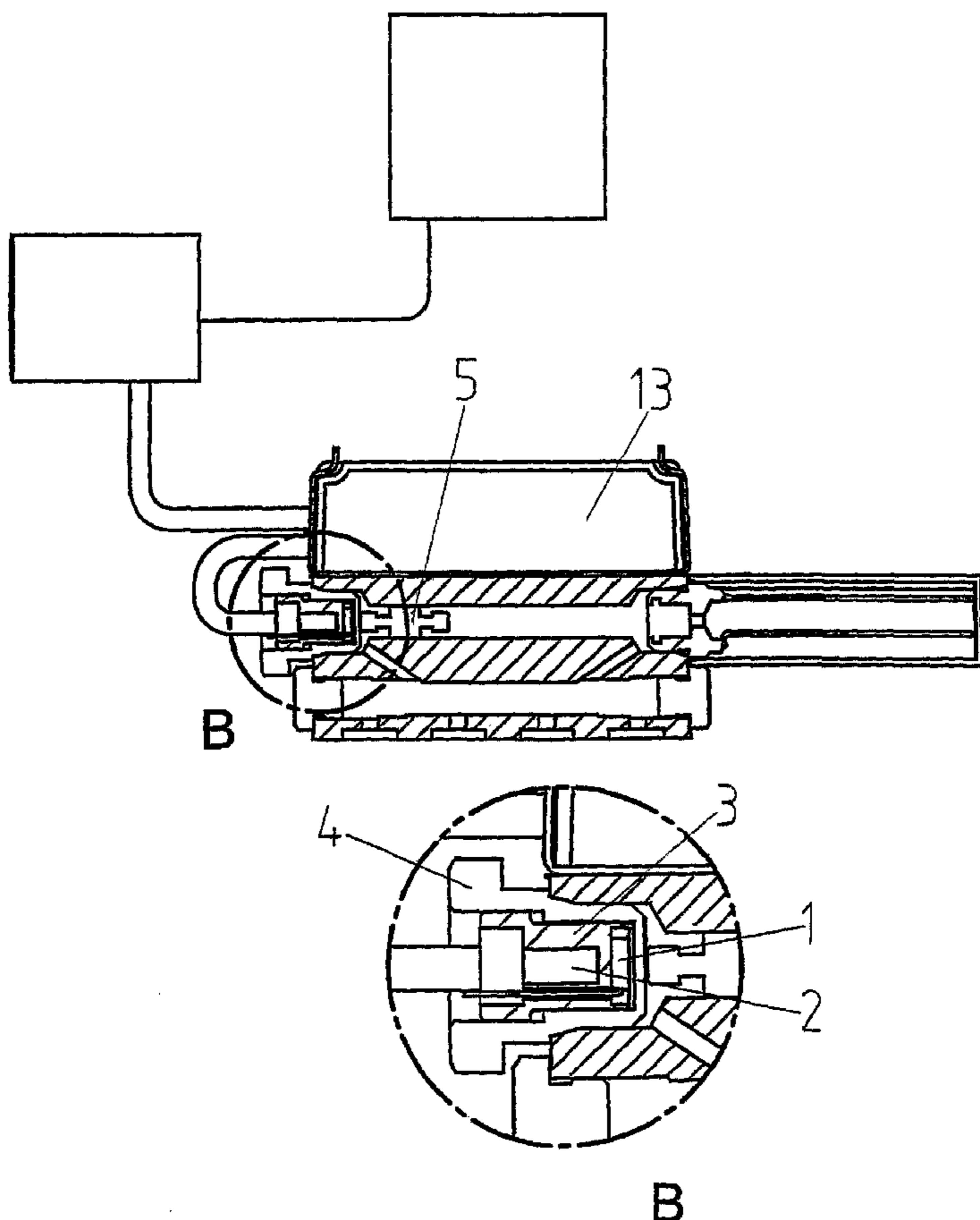
PCT

(10) International Publication Number
WO 2005/003620 A1

- (51) International Patent Classification⁷: F16N 7/38, 25/00
- (21) International Application Number: PCT/FI2004/000393
- (22) International Filing Date: 28 June 2004 (28.06.2004)
- (25) Filing Language: English
- (26) Publication Language: English
- (30) Priority Data:
20031008 3 July 2003 (03.07.2003) FI
- (71) Applicant (for all designated States except US): JOHN CRANE SAFEMATIC OY [FI/FI]; Teollisuustie 6, FI-40950 Muurame (FI).
- (72) Inventor; and
- (75) Inventor/Applicant (for US only): MOILANEN, Teuvo [FI/FI]; Virkalantie 2 C, FI-40900 Säynätsalo (FI).
- (74) Agent: KOLSTER OY AB; Iso Roobertinkatu 23, P.O.Box 148, FI-00121 Helsinki (FI).
- (81) Designated States (unless otherwise indicated, for every kind of national protection available): AE, AG, AL, AM, AT, AU, AZ, BA, BB, BG, BR, BW, BY, BZ, CA, CH, CN, CO, CR, CU, CZ, DE, DK, DM, DZ, EC, EE, EG, ES, FI, GB, GD, GE, GH, GM, HR, HU, ID, IL, IN, IS, JP, KE, KG, KP, KR, KZ, LC, LK, LR, LS, LT, LU, LV, MA, MD, MG, MK, MN, MW, MX, MZ, NA, NI, NO, NZ, OM, PG, PH, PL, PT, RO, RU, SC, SD, SE, SG, SK, SL, SY, TJ, TM, TN, TR, TT, TZ, UA, UG, US, UZ, VC, VN, YU, ZA, ZM, ZW.
- (84) Designated States (unless otherwise indicated, for every kind of regional protection available): ARIPO (BW, GH, GM, KE, LS, MW, MZ, NA, SD, SL, SZ, TZ, UG, ZM, ZW), Eurasian (AM, AZ, BY, KG, KZ, MD, RU, TJ, TM), European (AT, BE, BG, CH, CY, CZ, DE, DK, EE, ES, FI, FR, GB, GR, HU, IE, IT, LU, MC, NL, PL, PT, RO, SE, SI,

[Continued on next page]

(54) Title: ARRANGEMENT IN CONNECTION WITH CENTRAL LUBRICATION SYSTEM



(57) Abstract: The invention relates to an arrangement in connection with a central lubrication system, the arrangement comprising a lubricant vessel, a pump unit, a control unit, pipe systems, a pressure monitor unit, at least one lubricant feeder provided with at least one piston (5) which moves due to the influence of the pressure of a lubricant present in the pipe system/object to be lubricated, and a movement monitor unit to monitor the operation of the feeder. The invention is characterized in that the movement monitor unit comprises a sensor part (3) mounted to a nipple (4) manufactured from a weakly magnetable material. The nipple (4), in turn, comprises a permanent magnet (2) in order to generate a magnetic field, and a sensor (4) for detecting movement of the piston (5), and an electronics part (13) which processes a signal received from the sensor (4) and produced as a result of a change in the magnetic field caused by the movement of the piston (5) with respect to the sensor part (3), and forwards this processed signal to the control unit.

WO 2005/003620 A1

WO 2005/003620 A1

SK, TR), OAPI (BF, BJ, CF, CG, CI, CM, GA, GN, GQ, GW, ML, MR, NE, SN, TD, TG).

Declarations under Rule 4.17:

- *as to applicant's entitlement to apply for and be granted a patent (Rule 4.17(ii)) for the following designations AE, AG, AL, AM, AT, AU, AZ, BA, BB, BG, BR, BW, BY, BZ, CA, CH, CN, CO, CR, CU, CZ, DE, DK, DM, DZ, EC, EE, EG, ES, FI, GB, GD, GE, GH, GM, HR, HU, ID, IL, IN, IS, JP, KE, KG, KP, KR, KZ, LC, LK, LR, LS, LT, LU, LV, MA, MD, MG, MK, MN, MW, MX, MZ, NA, NI, NO, NZ, OM, PG, PH, PL, PT, RO, RU, SC, SD, SE, SG, SK, SL, SY, TJ, TM, TN, TR, TT, TZ, UA, UG, UZ, VC, VN, YU, ZA, ZM, ZW, ARIPO patent (BW, GH, GM, KE, LS, MW, MZ, NA, SD, SL, SZ, TZ, UG, ZM, ZW), Eurasian patent (AM, AZ,*

BY, KG, KZ, MD, RU, TJ, TM), European patent (AT, BE, BG, CH, CY, CZ, DE, DK, EE, ES, FI, FR, GB, GR, HU, IE, IT, LU, MC, NL, PL, PT, RO, SE, SI, SK, TR), OAPI patent (BF, BJ, CF, CG, CI, CM, GA, GN, GQ, GW, ML, MR, NE, SN, TD, TG)

- *as to the applicant's entitlement to claim the priority of the earlier application (Rule 4.17(iii)) for all designations*

Published:

- *with international search report*

For two-letter codes and other abbreviations, refer to the "Guidance Notes on Codes and Abbreviations" appearing at the beginning of each regular issue of the PCT Gazette.

ARRANGEMENT IN CONNECTION WITH CENTRAL LUBRICATION SYSTEM

BACKGROUND OF THE INVENTION

[0001] The invention relates to an arrangement in connection with a central lubrication system, the arrangement comprising a lubricant vessel, a pump unit, a control unit, pipe systems, a pressure monitor unit, at least one feeder provided with at least one piston which moves due to the influence of the pressure of a lubricant present in the pipe system/object to be lubricated, and a movement monitor unit for each feeder in order to monitor the operation of the system, the lubricant being arranged to be pumped from the lubricant vessel along the pipe systems to the feeders and further to the objects to be lubricated, and a junction part located in the movement monitor unit outside a pressurized space.

[0002] Typically, conventional central lubrication systems known in the art include a lubricant vessel, a pump unit, an electric control unit, pipe systems, lubricant feeders and movement monitor units. The movement monitor units are conventionally used for monitoring movement of the piston of a feeder, and for controlling the operation of the system. In order to detect movement of the piston, the movement monitor unit comprises a switch. In the prior art, the switch is a magnetic switch to switch and release at a predetermined strength of a magnetic field, the field strengths of a switching point and a releasing point being different in magnitude, i.e. the switch involves hysteresis. Bodies of feeders are manufactured both from a magnetable (galvanized) and non-magnetable (acid-proof) material so that the body affects a change in the magnetic field caused by the piston, and thus the aforementioned operating points. In order to work well, such a solution would require a permanent magnet to be mounted to the piston so as to obtain a sufficient change in the magnetic field. However, the switch hysteresis restricts the use of a sensor in such a solution at a small dose, when the movement of the piston is small.

[0003] A problem with the above-described arrangement is that the piston moves in a space wherein large pressure variations (typically 0 to 250 bar) occur and, in addition, the diameter of the piston is small (typically 4 to 8 mm), so that it should be possible to detect even small movements of the piston. This conventional structure is not, however, capable of detecting movement of the piston with a sufficient accuracy at small movement lengths of the piston.

BRIEF DESCRIPTION OF THE INVENTION

[0004] The object of the invention is achieved by an arrangement which is characterized in that the junction part is manufactured from a weakly magnetable material and it comprises a sensor part which, in turn, comprises a permanent magnet in order to generate a magnetic field, and a sensor for detecting movement of the magnetable piston, and an electronics part which processes a signal received from the sensor and produced as a result of a change in the magnetic field caused by the movement of the piston with respect to the sensor part, and forwards this processed signal to the control unit.

[0005] Preferred embodiments of the invention are disclosed in the dependent claims.

[0006] The invention is based on detecting movement of a piston of a feeder by mounting, to a weakly magnetable nipple of a movement monitor unit, a permanent magnet and a sensor to detect movement of the piston of the feeder by means of a change in a magnetic field generated by the permanent magnet. As a result of the change in the magnetic field, the sensor transmits a signal to an electronics part of the movement monitor unit, which processes the signal and forwards it to a control unit.

[0007] An advantage of the method and system of the invention is that the sensor may be mounted outside a pressurized space such that it still is, however, capable of detecting even small movement lengths of the piston.

[0008] In a preferred embodiment of the invention, the sensor is a Hall sensor.

[0009] In another preferred embodiment of the invention, the output of the movement monitor unit is locking so that the detection mode of the piston remains in a memory.

[0010] The locked detection mode of the movement monitor unit can be released by cutting the operating voltage of the sensor for a predetermined time.

[0011] Furthermore, in an embodiment of the arrangement of the invention, the movement monitor unit resides in its entirety outside the pressurized space of the feeder.

[0012] Furthermore, in another embodiment, the electronics part comprises a voltage regulator, a detector for detecting polarity of voltage, a microcontroller, an output circuit, indicator LEDs as well as an amplifier part comprising a differential amplifier circuit and low-pass filters.

[0013] In a preferred embodiment, the output circuit is a potential-free relay contact and the plurality of movement monitor units of the central lubrication system are coupled in series.

BRIEF DESCRIPTION OF THE DRAWINGS

[0014] The invention is now described in closer detail in connection with the preferred embodiments and with reference to the accompanying drawings, in which

[0015] Figure 1 shows an arrangement according to the present invention for detecting movement of a piston by a movement monitor unit.

[0016] Figure 2 is a functional diagram of the arrangement according to the present invention.

DETAILED DESCRIPTION OF THE INVENTION

[0017] A central lubrication system according to the present invention comprises a lubricant vessel, a pump unit, a control unit, pipe systems and a feeder provided with at least one piston 5. Figure 1 shows a preferred embodiment of the present invention which shows a movement monitor unit connected to the feeder, the movement monitor unit comprising a junction part 4 and an electronics part 13. The junction part, i.e. a nipple 4, further comprises a sensor part 3 which, in turn, comprises a permanent magnet 2 and a sensor 1 which in the present embodiment is a Hall sensor, preferably an analogue Hall sensor, but it may also be a sensor of another type which is suitable for the present invention. The movement monitor unit is arranged in connection with the feeder as indicated in Figure 1 while the nipple 4 is arranged in its operation area in the vicinity of a travel groove of the feeder piston 5 of the lubricant feeder, outside the pressurized space of the feeder, however. A wall, usually made of metal, is thus provided between the piston 5 and the sensor part 3. The piston 5 is manufactured from a magnetable material whereas the nipple 4 is manufactured from a weakly magnetable or a non-magnetable material. In Figure 1, the sensor 1 is mounted to the nip 4 as close to the piston 5 as possible, and the permanent magnet 2 is mounted at a suitable distance on the back. The central lubrication system often includes a plurality of the above-

described feeders, each being provided with a movement monitor unit of its own. In addition of the aforementioned parts, the system may comprise a pressure monitor unit for monitoring pressure in the system; the pressure monitor unit may be a pressure switch or a pressure transmitter.

[0018] The nipple 4 and thus also the sensor part 3 are mounted such that movement of the piston 5, which is made of a magnetable material and which moves due to the influence of the pressure of a lubricant present in the pipe system and the object to be lubricated, causes a change in the magnetic field generated by the permanent magnet upon approaching the sensor part 3. The sensor 1 is responsible for detecting this change in the magnetic field and for transferring the signal obtained about the change to the electronics part 13 of the pressure monitor unit. Signal A transmitted to the electronics part by the sensor 1 is shown in Figure 2. Preferably, in the solution according to Figure 2, the piston makes a back-and-forth movement, requiring a sufficient pressure difference in order to move. The body of the feeder may be made of a magnetable or a non-magnetable material.

[0019] In accordance with Figure 2, the electronics part 13 comprises a voltage regulator 6, a detector 7 for detecting polarity of voltage, a microcontroller 8, an output circuit 9, indicator LEDs 10 as well as an amplifier part comprising a differential amplifier circuit 11 and a low-pass filter 12. From the sensor 1, the signal travels to the differential amplifier circuit 11 of the electronics part 13 and therefrom further to the low-pass filter 12 whose output is an average of the signal obtained from the sensor. The output obtained from the differential amplifier 11 is thus an amplified difference of the signal and its average, shown in Figure 2 and designated by the letter B.

[0020] Next, the signal travels to the microcontroller 8, which converts the signal received from the amplifier 11 into a digital form. A final decision about an output signal of the electronics part is made on the basis of a signal level and duration. The output circuit 9 is a potential-free relay contact which gives the signal outputted from the electronics part 13 an output in accordance with a selected operation mode. This pulse-shaped output signal is designated by the letter C in Figure 2. According to the present invention, the operation mode may be a pulse-shaped one or a locking one.

[0021] The voltage regulator 6 shown in Figure 2 converts a supply voltage (24 V) to suit electronics. By means of the detector 7 for detecting polarity of voltage, the movement monitor unit is made to operate in two different

operation modes, depending on the polarity of the supply voltage. A task of the indicator LEDs included in the electronics part is to indicate the mode of the relay 9 of the output circuit. Other indicator devices may also be used for the purpose. The entire electronics part 13 may also be composed differently, as long as it is capable of processing a pulse given by a sensor and making it into a pulse in accordance with a selected operation mode.

[0022] Conventionally, a central lubrication system includes a plurality of feeders to be monitored by monitoring sensors. Hence, a problem is the large number of sensor wires from the feeders to a center monitoring the operation. Furthermore, each sensor requires an I/O input of its own at the monitoring center. Conventionally, the final output is pulse-shaped in all sensor solutions so that the output changes its mode when an object to be detected enters a detection distance, and further changes it back to the other mode when the object leaves a detection area. The operation moment and the direction of operation of all feeders in the system are not necessarily the same, so the sensors of different feeders cannot be coupled in parallel or in series in order to reduce wiring.

[0023] In the present application, however, the output of the movement monitor unit is locking in a second operation mode, in other words the detection mode of the piston 5 remains in a memory until the memory is released. This principle together with a potential-free output enables the outputs of the movement monitor unit to be coupled in series. Series coupling reduces wiring and the number of necessary I/O inputs at a monitoring center. The center now reads the mode of a loop coupled in series when a lubrication cycle ends, releases the memory and gives an alarm, depending on the mode of the loop. The sensor is also automatically activated for a correct operation point, irrespectively of the feeder size and material. In addition, slow changes in the output caused by temperature and other factors do not affect the operation of the movement monitor unit.

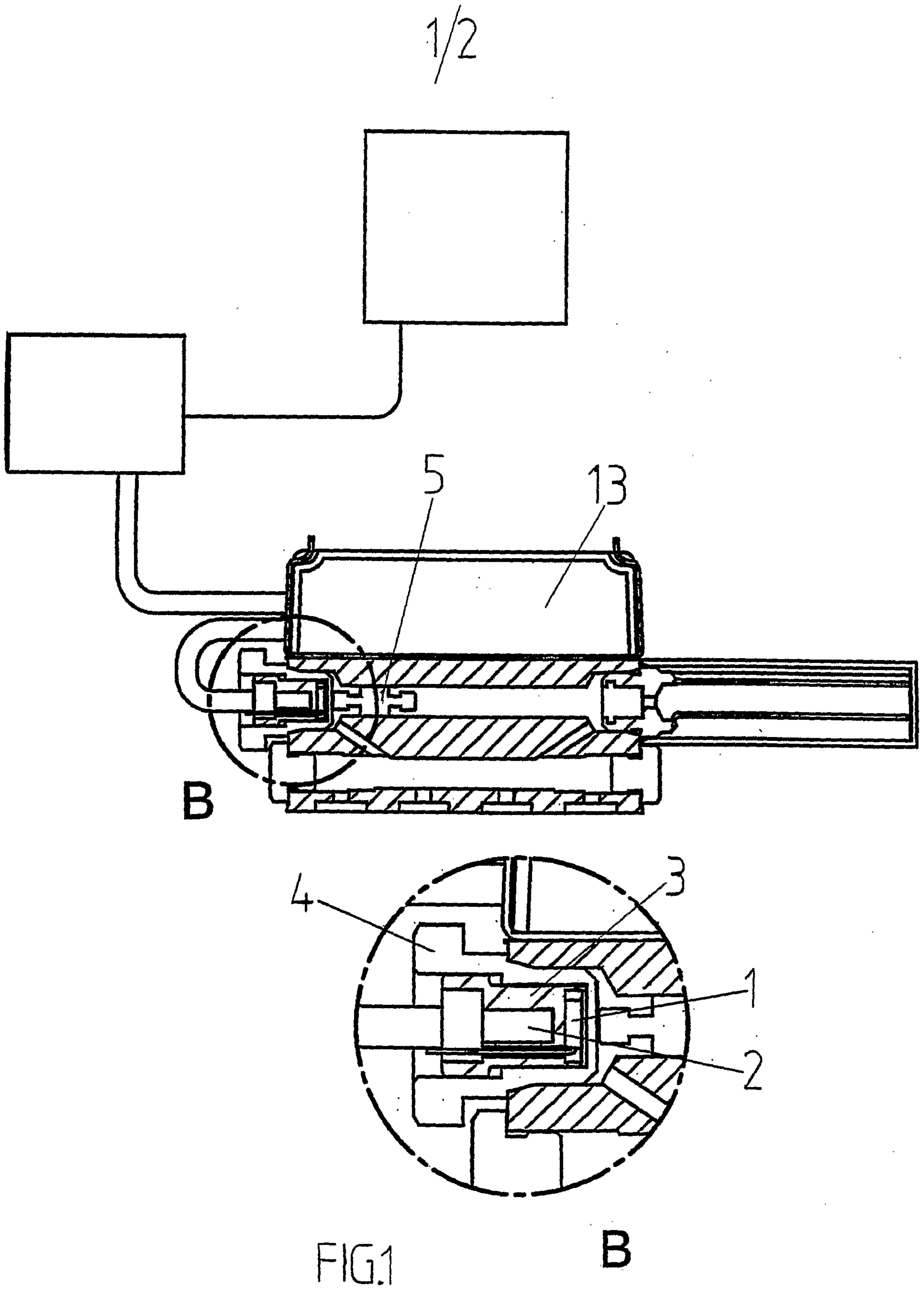
[0024] The preferred embodiment described above may be modified within the scope of the claims. The movement monitor unit may be mounted in connection with a feeder in many different ways, and the sensor part 3 may also be placed in a varying manner with respect to the moving piston 5 of the feeder, preferably, however, outside the pressurized space of the feeder; this enables a conventional piston 5 to be used.

[0025] It is obvious to one skilled in the art that as technology advances, the basic idea of the invention may be implemented in many different ways. The invention and its embodiments are thus not restricted to the above-described examples but may vary within the scope of the claims.

CLAIMS

1. An arrangement in connection with a central lubrication system, the arrangement comprising a lubricant vessel, a pump unit, a control unit, pipe systems, a pressure monitor unit, at least one feeder provided with at least one piston (5) which moves due to the influence of the pressure of a lubricant present in the pipe system/object to be lubricated, a movement monitor unit for each feeder in order to monitor the operation of the system, the lubricant being arranged to be pumped from the lubricant vessel along the pipe systems to the feeders and further to the objects to be lubricated, and a junction part (4) located in the movement monitor unit outside a pressurized space, wherein the junction part (4) is manufactured from a magnetable material and it comprises a sensor part (3) which, in turn, comprises a fixed permanent magnet (2) in order to generate a magnetic field, and a sensor (1) for detecting movement of the magnetable piston (5), and an electronics part (13) which processes a signal received from the sensor and produced as a result of a change in the magnetic field caused by the movement of the piston (5) with respect to the sensor part (3), and forwards this processed signal to the control unit.
2. An arrangement as claimed in claim 1, wherein the sensor (1) is a Hall sensor.
3. An arrangement as claimed in claim 2, wherein the sensor (1) is an analogue Hall sensor.
4. An arrangement as claimed in any one of claims 2 to 3, wherein output (9) of the movement monitor unit is locking so that a detection mode of the piston remains in a memory.

5. An arrangement as claimed in claim 4, wherein the locked detection mode of the output (9) of the movement monitor unit is releasable by cutting an operating voltage of the sensor (1) for a predetermined time.
6. An arrangement as claimed in any one of claims 1 to 5, wherein the movement monitor unit is in its entirety located outside a pressurized space of the feeder.
7. An arrangement as claimed in any one of claims 1 to 6, wherein the electronics part (13) comprises a voltage regulator (6), a detector (7) for detecting polarity of voltage, a microcontroller (8), an output circuit (9), indicator LEDs (10) as well as an amplifier part comprising a differential amplifier circuit (11) and low-pass filters (12).
8. An arrangement as claimed in claim 7, wherein the output circuit (9) is a potential-free relay contact.
9. An arrangement as claimed in any one of claims 1 to 8, wherein the plurality of movement monitor units of the central lubrication system are coupled in series.



2/2

