



- (51) International Patent Classification:
B29C 70/52 (2006.01)
- (21) International Application Number:
PCT/US2015/044789
- (22) International Filing Date:
12 August 2015 (12.08.2015)
- (25) Filing Language: English
- (26) Publication Language: English
- (30) Priority Data:
62/036,852 13 August 2014 (13.08.2014) US
- (71) Applicant: INTEGRATED COMPOSITE PRODUCTS, INC. [US/US]; 3428 Lakeridge Place NW, Suite 120, Rochester, MN 55901 (US).
- (72) Inventors: HAWLEY, Ronald, Clare; 24452 Co. Rd. 9, Winona, MN 55987 (US). MAZULA, Derek, Joel; 27711 Hoffe Lane, Dakota, MN 55925 (US).
- (74) Agent: WHIPPS, Brian, C.; Mueting, Raasch & Gebhardt, P.A., P.O. Box 581336, Minneapolis, MN 55458-1336 (US).

- (81) Designated States (unless otherwise indicated, for every kind of national protection available): AE, AG, AL, AM, AO, AT, AU, AZ, BA, BB, BG, BH, BN, BR, BW, BY, BZ, CA, CH, CL, CN, CO, CR, CU, CZ, DE, DK, DM, DO, DZ, EC, EE, EG, ES, FI, GB, GD, GE, GH, GM, GT, HN, HR, HU, ID, IL, IN, IR, IS, JP, KE, KG, KN, KP, KR, KZ, LA, LC, LK, LR, LS, LU, LY, MA, MD, ME, MG, MK, MN, MW, MX, MY, MZ, NA, NG, NI, NO, NZ, OM, PA, PE, PG, PH, PL, PT, QA, RO, RS, RU, RW, SA, SC, SD, SE, SG, SK, SL, SM, ST, SV, SY, TH, TJ, TM, TN, TR, TT, TZ, UA, UG, US, UZ, VC, VN, ZA, ZM, ZW.
- (84) Designated States (unless otherwise indicated, for every kind of regional protection available): ARIPO (BW, GH, GM, KE, LR, LS, MW, MZ, NA, RW, SD, SL, ST, SZ, TZ, UG, ZM, ZW), Eurasian (AM, AZ, BY, KG, KZ, RU, TJ, TM), European (AL, AT, BE, BG, CH, CY, CZ, DE, DK, EE, ES, FI, FR, GB, GR, HR, HU, IE, IS, IT, LT, LU, LV, MC, MK, MT, NL, NO, PL, PT, RO, RS, SE, SI, SK, SM, TR), OAPI (BF, BJ, CF, CG, CI, CM, GA, GN, GQ, GW, KM, ML, MR, NE, SN, TD, TG).

Published:

— without international search report and to be republished upon receipt of that report (Rule 48.2(g))

(54) Title: REINFORCING ARTICLE

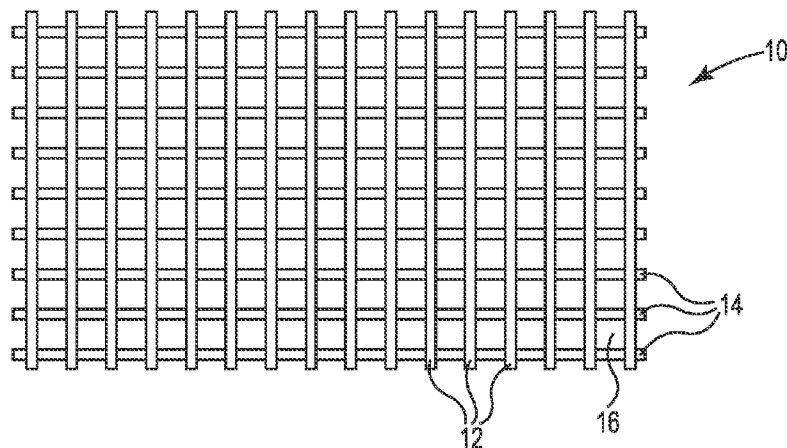
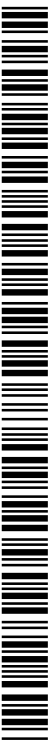


Fig. 1

(57) Abstract: A reinforcing article includes a porous substrate layer and a plurality of parallel first continuous fiber elements spaced apart from each other and extending along a first direction and fixed to the porous substrate. Each first continuous fiber element includes a plurality of parallel and co-extending continuous fibers embedded in a thermoplastic resin.



REINFORCING ARTICLE

BACKGROUND

[0001] The physical properties of thermoplastic polymers can be improved by the incorporation of filler materials such as glass fibers. The incorporation of glass fibers into polymeric products beneficially affects resin properties such as tensile strength, stiffness, dimensional stability and resistance to creep and thermal expansion. Traditional methods of producing such articles have been injection molding or compression molding standard, pre-compounded fiber glass-filled polymer. While satisfying certain objectives in optimizing the quality of the finished product, conventional filled products have proven to be commercially costly and in other ways have fallen short of their objectives in terms of weight, impact performance and strength. Improvements to producing fiber-reinforced articles are desired.

SUMMARY

[0002] The present disclosure relates to a reinforcing article and methods of making the same. The reinforcing article can improve the structure properties while reducing the weight and/or cost of the composite structural article.

[0003] In one aspect, a reinforcing article includes a porous substrate layer and a plurality of parallel first continuous fiber elements spaced apart from each other and extending along a first direction and fixed to the porous substrate. Each first continuous fiber element includes a plurality of parallel and co-extending continuous fibers embedded in a thermoplastic resin.

[0004] In another aspect, a reinforcing article includes a plurality of parallel first continuous fiber elements extending along a first direction, and a plurality of parallel second continuous fiber elements extending along a second direction different than the first direction. Each first and second continuous fiber elements have a plurality of parallel and co-extending continuous fibers embedded in a thermoplastic resin. The plurality of parallel first continuous fiber

elements and plurality of parallel first continuous fiber elements are fixed to each other and form an open lattice structure defining a plurality of openings.

[0005] In another aspect, a composite structural article includes a polymeric body having a first major surface and an opposing second major surface and reinforcing article as described herein embedded within and coplanar with the first major surface or the opposing second major surface.

[0006] These and various other features and advantages will be apparent from a reading of the following detailed description.

BRIEF DESCRIPTION OF THE DRAWINGS

[0007] The disclosure may be more completely understood in consideration of the following detailed description of various embodiments of the disclosure in connection with the accompanying drawings, in which:

[0008] **FIG. 1** is a top view schematic diagram view of an illustrative open lattice reinforcing article;

[0009] **FIG. 2** is a cross-section schematic diagram view of the open lattice reinforcing article of **FIG. 1**;

[0010] **FIG. 3** is a top view schematic diagram view of another illustrative reinforcing article;

[0011] **FIG. 4** is a cross-section schematic diagram view of the reinforcing article of **FIG. 3**;

[0012] **FIG. 5** is a top view schematic diagram view of another illustrative open lattice reinforcing article;

[0013] **FIG. 6** is a cross-section schematic diagram view of the open lattice reinforcing article of **FIG. 5**;

[0014] **FIG. 7** is a perspective view of a container formed of composite structural articles including reinforcing article described herein;

[0015] FIG. 8 is a schematic diagram of an illustrative process of forming the open lattice reinforcing article described herein; and

[0016] FIG. 9 is a schematic diagram of another illustrative process of forming the reinforcing article described herein.

DETAILED DESCRIPTION

[0017] In the following detailed description, reference is made to the accompanying drawings that form a part hereof, and in which are shown by way of illustration several specific embodiments. It is to be understood that other embodiments are contemplated and may be made without departing from the scope or spirit of the present disclosure. The following detailed description, therefore, is not to be taken in a limiting sense.

[0018] All scientific and technical terms used herein have meanings commonly used in the art unless otherwise specified. The definitions provided herein are to facilitate understanding of certain terms used frequently herein and are not meant to limit the scope of the present disclosure.

[0019] Unless otherwise indicated, all numbers expressing feature sizes, amounts, and physical properties used in the specification and claims are to be understood as being modified in all instances by the term “about.” Accordingly, unless indicated to the contrary, the numerical parameters set forth in the foregoing specification and attached claims are approximations that can vary depending upon the properties sought to be obtained by those skilled in the art utilizing the teachings disclosed herein.

[0020] The recitation of numerical ranges by endpoints includes all numbers subsumed within that range (e.g. 1 to 5 includes 1, 1.5, 2, 2.75, 3, 3.80, 4, and 5) and any range within that range.

[0021] As used in this specification and the appended claims, the singular forms “a”, “an”, and “the” encompass embodiments having plural referents, unless the content clearly dictates otherwise.

[0022] As used in this specification and the appended claims, the term “or” is generally employed in its sense including “and/or” unless the content clearly dictates otherwise.

- [0023] As used herein, “have”, “having”, “include”, “including”, “comprise”, “comprising” or the like are used in their open ended sense, and generally mean “including, but not limited to”. It will be understood that “consisting essentially of”, “consisting of”, and the like are subsumed in “comprising,” and the like.
- [0024] It should be noted that “top” and “bottom” (or other terms like “upper” and “lower” or “first” and “second”) are utilized strictly for relative descriptions and do not imply any overall orientation of the article in which the described element is located.
- [0025] The present disclosure relates to a reinforcing article and methods of making the same. The reinforcing article described herein can improve the structure properties while reducing the weight and/or cost of the composite structural article. The reinforcing article can include a plurality of parallel continuous fiber elements where each continuous fiber element includes a plurality of continuous fibers embedded in a thermoplastic resin. The plurality of parallel continuous fiber elements can be fixed to a porous substrate that allows molten polymer to flow through the reinforcing member and porous substrate. In some embodiments the reinforcing member includes a plurality of second parallel continuous fiber elements forming an open lattice structure. In some of these embodiments a porous substrate separates the first continuous fiber elements from the second continuous fiber elements. The reinforcing article can be embedded within the polymeric body. The open lattice reinforcing article can be placed strategically within the polymeric body to provide strength where it is needed within the polymeric body. These composite structural articles possess a high strength, stiffness, and high impact resistant with a reduced weight as compared to conventional structural members. While the present disclosure is not so limited, an appreciation of various aspects of the disclosure will be gained through a discussion of the examples provided below.
- [0026] **FIG. 1** is a top view schematic diagram view of an illustrative open lattice reinforcing article **10**. **FIG. 2** is a cross-section schematic diagram view of the open lattice reinforcing article **10** of **FIG. 1**.

- [0027] A reinforcing article **10** or open lattice reinforcing member **10** includes a plurality of parallel first continuous fiber elements **12** extending along a first direction, and a plurality of parallel second continuous fiber elements **14** extending along a second direction different than the first direction. Each first and second continuous fiber elements have a plurality of parallel and co-extending continuous fibers **22** embedded in a thermoplastic resin **24**. The first plurality of parallel first continuous fiber elements **12** and second plurality of parallel second continuous fiber elements **14** are fixed to each other and form an open lattice structure defining a plurality of openings **16**. Preferably the plurality of a parallel first continuous fiber elements **12** extending along a first direction, and a plurality of parallel second continuous fiber elements **14** extend along a second direction that is orthogonal to the first direction. The plurality of first continuous fiber elements **12** cooperate with the plurality of second continuous fiber elements **14** to define the lattice openings **16** of at least 1 mm, or at least 2 mm, or at least 5 mm or at least 10 mm in the open lattice structure **10**.
- [0028] The open lattice reinforcing member **10** can have any useful void size separating the intersecting continuous fiber members **12, 14**. In preferred embodiments the openings are in a range from about 1/8 inch to about 1/2 inch square or in mesh size of about 8 to about 2 mesh or from about 4 to about 5 mesh (openings per inch). In many embodiments the openings have an average lateral distance of at least 1 mm or at least 2 mm or at least 5 mm. The opening allows molten polymer to flow through the open lattice reinforcing article **10** during a molding process.
- [0029] The continuous fiber members **12, 14** can be formed of any suitable fiber material providing tensile strength and/or stiffness. A plurality of continuous fibers **22** can extend along a longitudinal axis in a parallel and co-extensive manner as a continuous fiber element **12, 14** or bundle held together with a thermoplastic resin **24**. The continuous fibers **22** can be composed of: glass, carbon, graphite, basalt, DuPont Kevlar brand aramid fibers, ceramics, natural fibers, polymeric fibers, and various metals preferably glass, carbon, graphite or Kevlar.

- [0030] Each continuous fiber element **12**, **14** or bundle can have a diameter or largest lateral dimension in a range from 250 to 10000 micrometers or from 500 to 5000 micrometers or from 1000 to 3000 micrometers. Each continuous fiber element **12**, **14** or bundle can have at least 40% wt fiber or at least 50% wt fiber or from 40 to 90 % wt fiber or from 50 to 80 % wt fiber. Each continuous fiber element or bundle can have at from 60 to 10 % wt resin or from 50 to 20 % wt resin.
- [0031] The resin forming the continuous fiber members **12**, **14** can be any suitable polymeric material. In many embodiments the polymeric material is a thermoplastic material. Useful polymeric material includes polypropylene, polyethylene, nylon, acrylonitrile butadiene styrene, styrene acrylonitrile, acrylic or styrene, for example. Further useful polymers include PBT polyester, PET polyester, polyoxymethylene, polycarbonite or polyphenylene sulfide for example. Higher temperature polymeric material includes polysulfone, polyethersulfone, polyethereetherketone, or liquid crystal polymer, for example.
- [0032] In many embodiments the resin utilized to form the first plurality of continuous fiber element or bundle **12** is compatible with, or is the same type or kind of, resin material forming the second plurality of continuous fiber element or bundle **14** or solid or polymeric body of the composite structural element (described below). This configuration allows the resin on each first plurality of continuous fiber element or bundle **12** to fuse or fix to the resin on each second plurality of continuous fiber element or bundle **14**.
- [0033] The continuous fibers within the continuous fiber members **12**, **14** can have any suitable diameter such as 5 to 100 micrometers or less than 50 micrometers or from 10 to 50 micrometers or from for example 10 to 30 micrometers. The continuous fiber members **12**, **14** or bundles are formed of a plurality of parallel and co-extending continuous fibers. Preferably the continuous fiber members **12**, **14** or bundles are formed of at least 100 or at least 1000 individual and parallel and co-extending continuous fibers or at least 2500 individual and parallel and co-extending continuous fibers or at least 5000 individual and parallel and co-extending continuous fibers or at least 7500 individual and parallel and co-

extending continuous fibers. The plurality of parallel and co-extending continuous fibers are disposed within a resin to form the continuous fiber element or bundle, as described above.

- [0034] The continuous fiber within the continuous fiber members **12, 14** can have any suitable length and is typically at least extend the length of the continuous fiber members **12, 14**. In many embodiments the continuous fiber within the continuous fiber members **12, 14** has a length of at least 0.1 meter, or 0.5 meter or 1 meter or greater than 1 meter.
- [0035] **FIG. 3** is a top view schematic diagram view of another illustrative reinforcing member **100**. **FIG. 4** is a cross-section schematic diagram view of the reinforcing member **100** of **FIG. 3**.
- [0036] The reinforcing article **100** includes a porous substrate layer **105**, and a plurality of parallel first continuous fiber elements **114** spaced apart from each other and extending along a first direction and fixed to the porous substrate **105**. Each first continuous fiber element **114** includes a plurality of parallel and co-extending continuous fibers **122** embedded in a thermoplastic resin **124**, as described above.
- [0037] The porous substrate **105** allows molten polymer material to flow through the porous substrate. In many embodiments, the porous substrate is an open lattice substrate (that may be a woven substrate) having lattice openings of at least 0.5 mm or at least 1 mm and a substrate weight in a range from 30 grams/meter² to 800 grams/meter² or from 60 grams/meter² to 700 grams/meter². In other embodiments, the porous substrate is a non-woven substrate having a substrate weight in a range from 20 grams/meter² to 150 grams/meter² or from 30 grams/meter² to 100 grams/meter². The woven or nonwoven porous substrate can be composed of: glass, carbon, graphite, basalt, DuPont Kevlar brand aramid fibers, ceramics, natural fibers, polymeric fibers, or metal.
- [0038] **FIG. 5** is a top view schematic diagram view of another illustrative open lattice reinforcing member **200**. **FIG. 6** is a cross-section schematic diagram view of the open lattice reinforcing member **200** of **FIG. 5**.

- [0039] In these embodiments, the reinforcing article **200** is similar to the reinforcing article shown in **FIG. 3** and **FIG. 4** and further includes a plurality of parallel second continuous fiber elements **212** spaced apart from each other and extending along a second direction different than the first direction. Each second continuous fiber element **212** includes a plurality of parallel and co-extending continuous fibers **222** embedded in a thermoplastic resin **224** (as described above), and the plurality of parallel second continuous fiber elements **212** are fixed to the porous substrate layer **205** and the porous substrate layer **205** separates the first continuous fiber element **214** from the second continuous fiber elements **212**.
- [0040] Preferably the plurality of a parallel first continuous fiber elements **212** extending along a first direction, and the plurality of parallel second continuous fiber elements **214** extend along a second direction that is orthogonal to the first direction. The plurality of first continuous fiber elements **212** cooperate with the plurality of second continuous fiber elements **214** to define the lattice openings of at least 1 mm, or at least 2 mm, or at least 5 mm or at least 10 mm in the open lattice structure **200**.
- [0041] **FIG. 7** is a perspective view of a container **300** formed of reinforcing articles **310** described herein. The container **300** is formed of at least four composite structural panels. Each composite structural panel or side of the container **300**, includes the reinforcing article **310** embedded in and coplanar with the major surface **332**. In this embodiment, a first major surface **332** is planar and an opposing second major surface includes a plurality of intersecting rib elements **334** that extend away from the second major surface. A first plurality of parallel rib elements extend along a length of the panel member and a second plurality of parallel rib elements extend along a width of the panel members. The first plurality of rib elements intersect and are orthogonal to the second plurality of rib elements.
- [0042] The solid or polymeric body can be formed of any suitable polymeric material. In many embodiments the polymeric material is a thermoplastic material. Useful polymeric material includes polypropylene, polyethylene, nylon, acrylonitrile butadiene styrene, styrene acrylonitrile, acrylic or styrene, for example. Further useful polymers include PBT polyester, PET polyester, polyoxymethylene, polycarbonate or polyphenylene sulfide for example.

Higher temperature polymeric material includes polysulfone, polyethersulfone, polyethereetherketone, or liquid crystal polymer, for example.

- [0043] In many embodiments the resin utilized to form the continuous fiber elements **12, 14** is compatible with, or is the same type or kind of, resin material forming the solid or polymeric body of the composite structural element. In some embodiments the embedding surface of the container is a textured surface. The term “textured” refers to a surface having uniform or non-uniform undulating surface or peaks and valleys along the surface having a lateral height difference equal to at least the 50% of the diameter of the fiber bundle elements forming the reinforcing article **310**.
- [0044] The polymeric material can includes a plurality of random fibers forming a fiber dispersion in the polymeric material. This fiber dispersion has an average fiber length of less than 15 mm or less than 12 mm or less than 5 mm or less than 1 mm. The fiber dispersion has an average fiber length in a range from 1 to 15 mm or in a range from 5 to 12 mm and can be termed “long fiber thermoplastic”. In other embodiments, the fiber dispersion has an average fiber length in a range from 0.1 to 1 mm or in a range from 0.25 to 0.75 mm and can be termed “short fiber thermoplastic”. The fibers forming this fiber dispersion can be formed of materials that are the same or different than the material forming the continuous fiber members such as glass, carbon, basalt, graphite, DuPont Kevlar brand aramid fibers, ceramics, natural fibers, polymeric fibers, and various metals, for example.
- [0045] The fiber dispersion can be present in the polymeric material in a range from 5 to 60 % by weight. Preferably the fiber dispersion can be present in the polymeric material in a range from 10 to 50 % by weight, or in a range from 20 to 45 % by weight, or in a range from 30 to 40 % by weight. Useful polymeric material with fiber dispersions are commercially available from RTP Company, Winona, Minnesota under the trade designations “RTP 107” (polypropylene with 40% wt short glass fiber dispersion) and “RTP 80107” (polypropylene with 40% wt long glass fiber dispersion), for example.

- [0046] **FIG. 8** is a schematic diagram of an illustrative process **400** of forming the open lattice reinforcing article **10** described herein. Fiber spools **410** provide a bundle of continuous fiber to an extruder die **420**. The extruder die **420** embeds the bundle of continuous fiber within resin material and forming first plurality of a parallel first continuous fiber elements **412** extending along a first direction. A second plurality of a parallel second continuous fiber elements **414** extending along a second direction different than the first direction and comprising a plurality of parallel and co-extending continuous fibers embedded in a resin are provided **430** and disposed on the first plurality of a parallel first continuous fiber elements **412**. These continuous fiber members **412, 414** can then go through a nip roller **440** to apply pressure to the continuous fiber members **412, 414**. Then the continuous fiber members **412, 414** can pass through puller element **450** then and diced **460** or cut to an appropriate size to form the open lattice reinforcing article **10** described herein.
- [0047] **FIG. 9** is schematic diagram of another illustrative process **500** of forming the reinforcing member **100** described herein. Fiber spools **510** provide a bundle of continuous fiber to an extruder die **520**. The extruder die **520** embeds the bundle of continuous fiber within resin material and form a first plurality of a parallel first continuous fiber elements **114** extending along a first direction. A substrate **505** (described above) is removed from a roll **510** and moved onto the plurality of continuous fiber members **114** (described herein). The continuous fiber members **114** and porous substrate **505** can then go through a nip roller **540** to apply pressure to the continuous fiber members **114** and fix them onto the porous substrate **505**. Then the continuous fiber members **114** and porous substrate **505** can then be diced **560** or cut to an appropriate size to form the reinforcing article **100** described herein.
- [0048] In some embodiments the plurality of parallel and co-extending second continuous fibers are provided on opposing side of the porous substrate. This porous substrate (for example, a scrim layer) and second plurality of parallel elements can be layered onto the first plurality of parallel first continuous fiber elements in any manner. For example the porous substrate can separate the plurality of parallel continuous fiber elements from the second plurality of parallel continuous fiber elements. In other embodiments the porous substrate can be fixed to

or releasably adhered to either the plurality of parallel continuous fiber elements or the second plurality of parallel continuous fiber elements.

- [0049] The composite structural article can be formed by any suitable method. In many embodiments the reinforcing article can be placed in a suitable mold and the polymeric material disposed into the mold to form the composite structural article. Preferably the composite structural articles are formed by flowing molten polymer through the porous reinforcing article described herein by inserting the porous reinforcing article in a mold and polymer material is compression molded or injection molded through the reinforcing article to form the composite structural article.
- [0050] The reinforcing article described herein can be utilized in structural composite articles for a variety of industries, markets and applications. The composite articles described herein are particularly useful for: automotive parts such as bumpers, fenders; transportation such as pallets and containers; aerospace such as airplane components; military such as missile components; recreation such as vehicle frame components.
- [0051] Thus, embodiments of REINFORCING ARTICLE are disclosed.
- [0052] All references and publications cited herein are expressly incorporated herein by reference in their entirety into this disclosure, except to the extent they may directly contradict this disclosure. Although specific embodiments have been illustrated and described herein, it will be appreciated by those of ordinary skill in the art that a variety of alternate and/or equivalent implementations can be substituted for the specific embodiments shown and described without departing from the scope of the present disclosure. This application is intended to cover any adaptations or variations of the specific embodiments discussed herein. Therefore, it is intended that this disclosure be limited only by the claims and the equivalents thereof. The disclosed embodiments are presented for purposes of illustration and not limitation.

What is claimed is:

1. A reinforcing article comprising:
a porous substrate layer; and
a plurality of parallel first continuous fiber elements spaced apart from each other and extending along a first direction and fixed to the porous substrate, each first continuous fiber element comprising a plurality of parallel and co-extending continuous fibers embedded in a thermoplastic resin.
2. The article according to claim 1, wherein the porous substrate is an open lattice substrate having lattice openings of at least 1 mm and a substrate weight in a range from 60 grams/meter² to 700 grams/meter².
3. The article according to claim 1, wherein the porous substrate is a non-woven substrate having a substrate weight in a range from 30 grams/meter² to 100 grams/meter².
4. The article according to any of the preceding claims, wherein the first continuous fiber elements comprise at least 100, or at least 1000 or at least 2500 or at least 5000 parallel and co-extending continuous fibers embedded within the thermoplastic resin.
5. The reinforcing article according to any of the preceding claims, wherein the first continuous fiber elements comprises 40-90 % wt fiber and 60-10% resin, or 50-80 % wt fiber and 50-20% resin.
6. The reinforcing article according to any of the preceding claims, further comprising a plurality of parallel second continuous fiber elements spaced apart from each other and extending along a second direction different than the first direction, each second continuous fiber element comprising a plurality of parallel and co-extending continuous fibers embedded in a thermoplastic resin, and the plurality of parallel second continuous fiber elements are

fixed to the porous substrate layer and the porous substrate layer separates the first continuous fiber elements from the second continuous fiber elements.

7. The article according to claim 6, wherein the second continuous fiber elements comprise at least 100, or at least 1000 or at least 2500 or at least 5000 parallel and co-extending continuous fibers embedded within the thermoplastic resin.

8. The reinforcing article according to any of claims 6 or 7, wherein the second continuous fiber elements comprises 40-90 % wt fiber and 60-10% resin, or 50-80 % wt fiber and 50-20% resin.

9. The reinforcing article according to any of any of claims 6 to 8, wherein the first continuous fiber elements are orthogonal to the second continuous fiber elements.

10. The reinforcing article according to any of any of claims 6 to 9, wherein the first continuous fiber elements and the second continuous fiber elements define openings of at least 1 mm.

11. A reinforcing article comprising:

a plurality of parallel first continuous fiber elements extending along a first direction, each first continuous fiber element comprising a plurality of parallel and co-extending continuous fibers embedded in a thermoplastic resin;

a plurality of parallel second continuous fiber elements extending along a second direction different than the first direction, each second continuous fiber element comprising a plurality of parallel and co-extending continuous fibers embedded in a thermoplastic resin; and

the first continuous fiber elements and second continuous fiber elements are fixed to each other and form an open lattice structure defining a plurality of openings.

12. The reinforcing article according to claim 11, wherein the first continuous fiber elements and the second continuous fiber elements each comprise at least 100, or at least 1000 or at least 2500 or at least 5000 parallel and co-extending continuous fibers and embedded within the thermoplastic resin.
13. The reinforcing article according to claim 11 or 12, wherein the first continuous fiber elements and the second continuous fiber elements each comprises 40-90 % wt fiber and 60-10% resin, or 50-80 % wt fiber and 50-20% resin.
15. The reinforcing article according to any of claims 11 to 14, wherein the plurality of first continuous fiber elements are orthogonal to the plurality of second continuous fiber elements define openings of at least 1 mm in the open lattice structure.
16. The reinforcing article according to any of claims 11 to 15, wherein the resin of the first continuous fiber elements fuse with the resin of the second continuous fiber elements.
17. A composite structural article comprising:
a polymeric body having a first major surface and an opposing second major surface;
and
an reinforcing article according to any of the preceding claims embedded within and coplanar with the first major surface or second major surface.
18. The composite structural article according to claim 17, further comprising a plurality of fibers forming a fiber dispersion within the polymeric body, the fibers having an average length of less than 15 mm and an average diameter of less than 50 micrometers
19. The composite structural article according to claim 18 wherein the fiber dispersion has an average length of less than 1 mm.

20. The composite structural article according to any of claims 18 to 19, wherein the polymeric body comprises 10% to 50% by weight fiber dispersion.

1/4

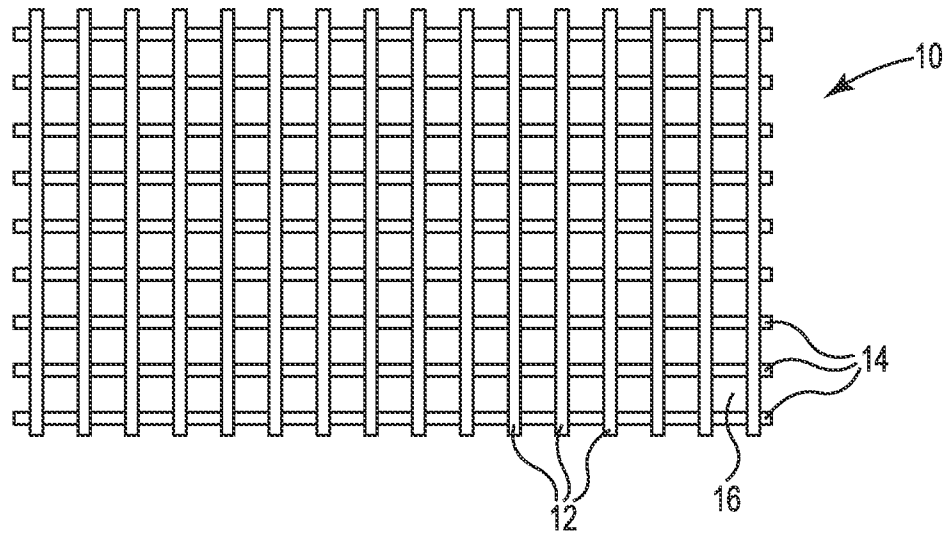


Fig. 1

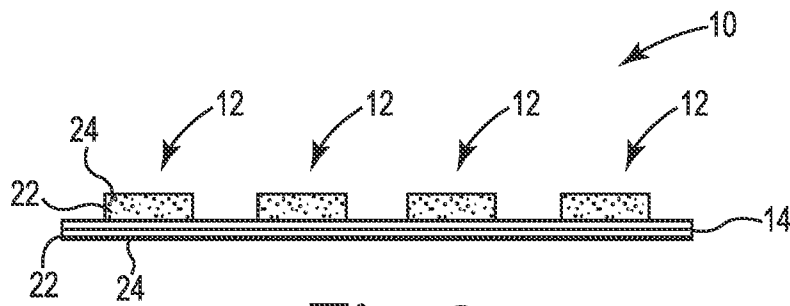
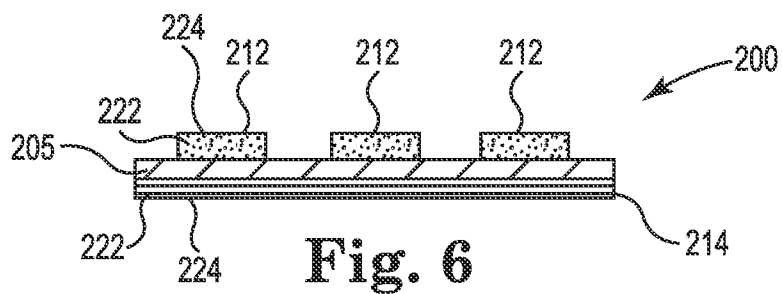
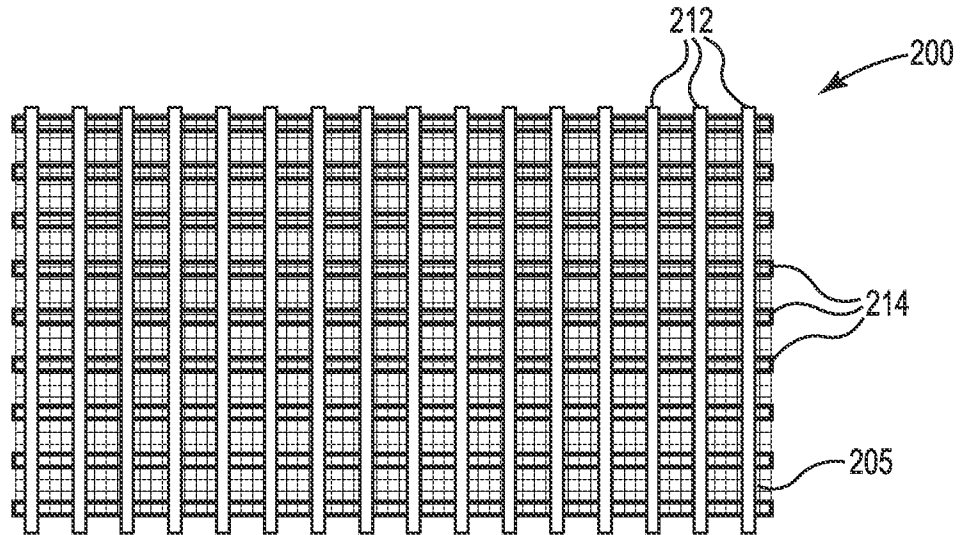
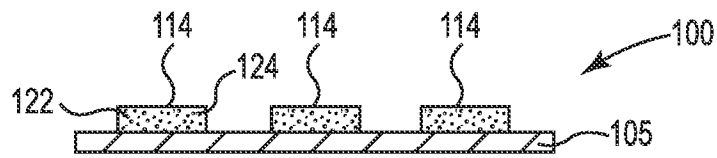
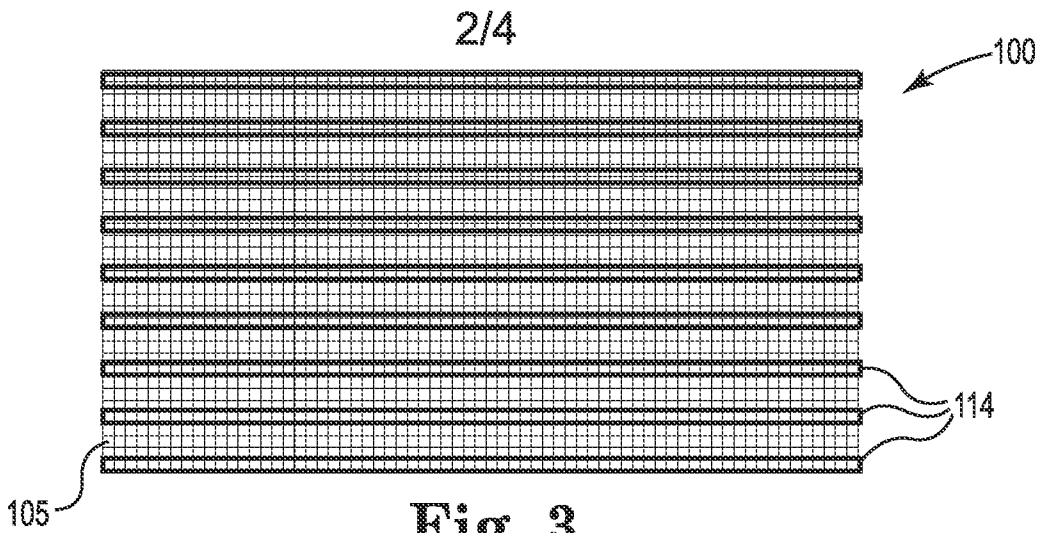


Fig. 2



3/4

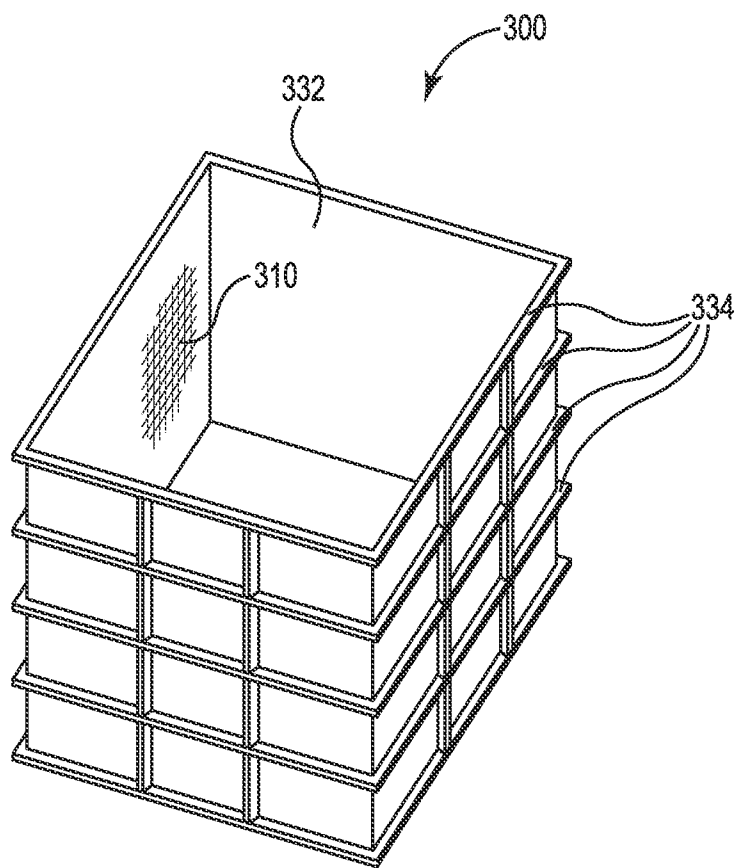


Fig. 7

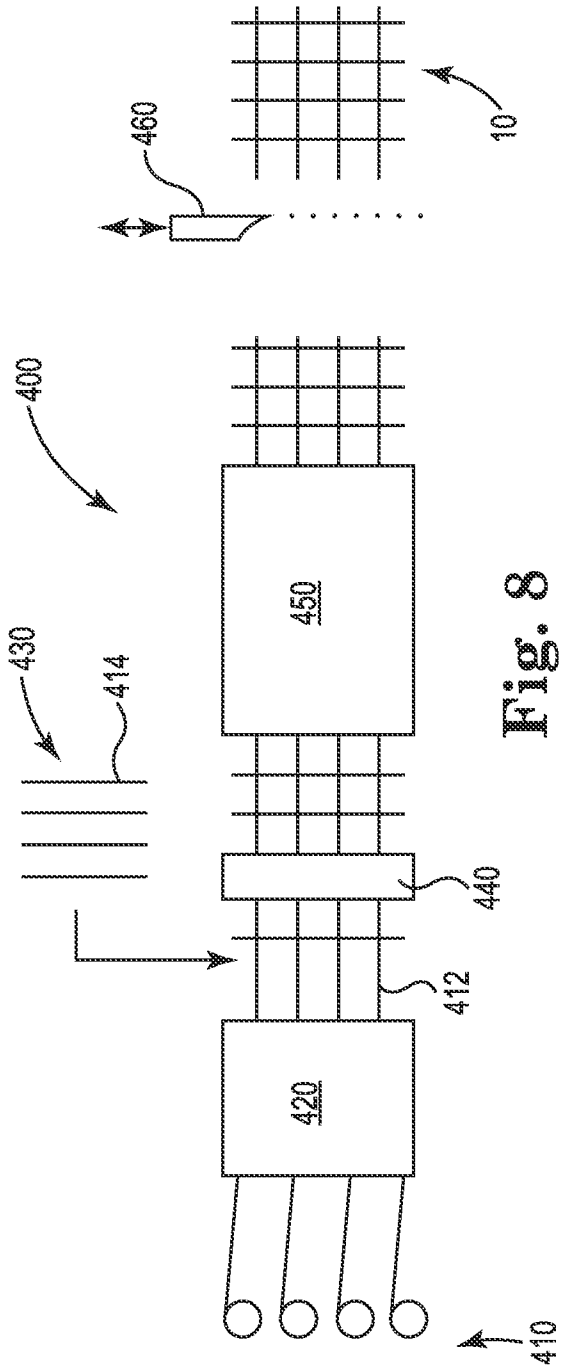


Fig. 8

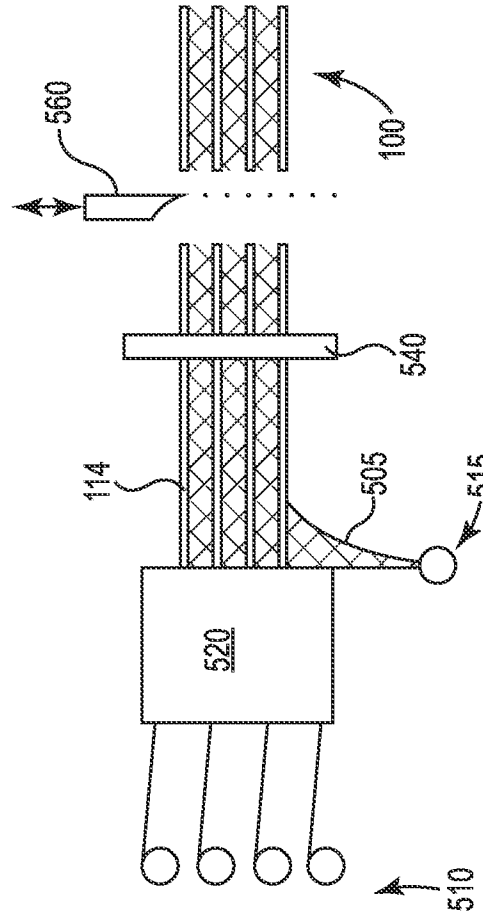


Fig. 9