



(12) **United States Design Patent**  
**Yang**

(10) **Patent No.:** **US D1,014,100 S**  
(45) **Date of Patent:** **\*\* Feb. 13, 2024**

(54) **MIRROR**

**OTHER PUBLICATIONS**

(71) Applicant: **Dongguan Powerme Tech. Co., Ltd,**  
Dongguan (CN)

Lighted Tri-fold Makeup Mirror, posted at temu.com, posting date unavailable, retrieved Oct. 30, 2023, online, [https://www temu.com/de-en/goods\\_snapshot.html?goods\\_id=601099517284240&title=Details&refer\\_page\\_name=goods&refer\\_page\\_id=10032\\_1698683018223\\_hpjoms7ljq&refer\\_page\\_sn=10032\\_\(Year:2023\).\\*](https://www temu.com/de-en/goods_snapshot.html?goods_id=601099517284240&title=Details&refer_page_name=goods&refer_page_id=10032_1698683018223_hpjoms7ljq&refer_page_sn=10032_(Year:2023).*)

(72) Inventor: **Guowei Yang,** Dongguan (CN)

(Continued)

(\*\*) Term: **15 Years**

*Primary Examiner* — Mary Shannon Malley  
*Assistant Examiner* — Michelle Marquart Christeon  
(74) *Attorney, Agent, or Firm* — Daniel M. Cohn;  
Howard M. Cohn

(21) Appl. No.: **29/913,217**

(22) Filed: **Sep. 28, 2023**

(51) **LOC (14) Cl.** ..... **06-07**

(52) **U.S. Cl.**  
USPC ..... **D6/310**

(57) **CLAIM**

The ornamental design for a mirror, as shown and described.

(58) **Field of Classification Search**  
USPC ..... D6/300-314; D14/345; D28/73, 76, 78,  
D28/83, 84, 91

**DESCRIPTION**

CPC .. A47G 1/00; A47G 2001/002; F21V 33/004;  
A45D 42/10  
See application file for complete search history.

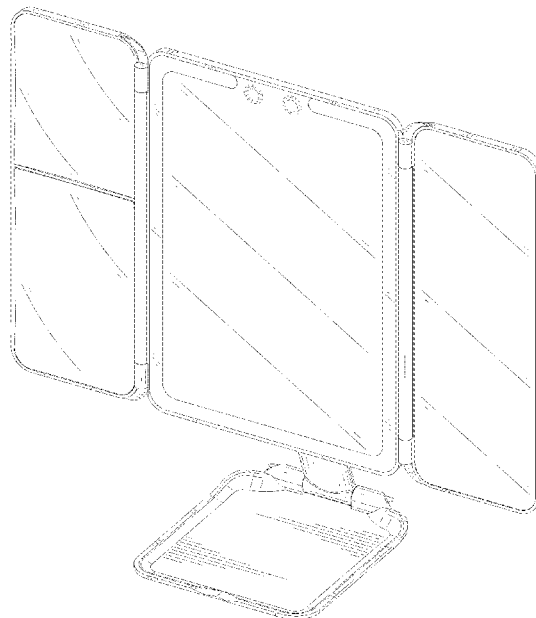
FIG. 1 is a perspective view of a mirror showing my new design;  
FIG. 2 is another perspective view thereof;  
FIG. 3 is a front elevational view thereof;  
FIG. 4 is a rear elevational view thereof;  
FIG. 5 is a left side elevational view thereof;  
FIG. 6 is a right side elevational view thereof;  
FIG. 7 is a top plan view thereof;  
FIG. 8 is a bottom plan view thereof;  
FIG. 9 is a perspective view thereof in a closed configuration.  
FIG. 10 is an enlarged view of portion 10 shown in FIG. 2; and,  
FIG. 11 is an enlarged view of portion 11 shown in FIG. 3.  
The dash-dash broken lines in the drawings depict portions of the mirror that form no part of the claimed design. The long-dash short-dash broken lines represent the boundaries of the enlarged portions and form no part of the claimed design.

(56) **References Cited**

**U.S. PATENT DOCUMENTS**

D865,374	S	*	11/2019	Yang	.....	D6/310
D895,986	S	*	9/2020	Yang	.....	D6/312
D897,697	S	*	10/2020	Liu	.....	D6/310
D907,375	S	*	1/2021	Liang	.....	D6/312
D935,668	S	*	11/2021	Zhang	.....	D26/56
D935,792	S	*	11/2021	Li	.....	D6/310
D946,909	S	*	3/2022	Yu	.....	D6/310
D955,022	S	*	6/2022	Zeng	.....	D6/309
D955,761	S	*	6/2022	Liu	.....	D6/310
D962,657	S	*	9/2022	Jing	.....	D6/310
D976,011	S	*	1/2023	Shen	.....	D6/310
D994,353	S		8/2023	Liu		
D995,127	S		8/2023	Liu		
D998,353	S	*	9/2023	Chen	.....	D6/310
2015/0159856	A1	*	6/2015	Adachi	.....	F21V 33/0056 362/135

**1 Claim, 11 Drawing Sheets**



(56)

**References Cited**

OTHER PUBLICATIONS

Anfauny Rechargeable Mirror, posted at amazon.com, posting date Sep. 7, 2023, retrieved Oct. 30, 2023, online, [https://www.amazon.com/dp/B0CHJ16VD9/ref=sspa\\_dk\\_detail\\_3?psc=1&pf\\_rd\\_p=eb7c1ac5-7c51-4df5-ba34-ca810f1f119a&pf\\_rd\\_r=SMNKSGCAAVVGG7PYCCJE&pd\\_rd\\_wg=j1eVS&pd\\_rd\\_w=Rbsy](https://www.amazon.com/dp/B0CHJ16VD9/ref=sspa_dk_detail_3?psc=1&pf_rd_p=eb7c1ac5-7c51-4df5-ba34-ca810f1f119a&pf_rd_r=SMNKSGCAAVVGG7PYCCJE&pd_rd_wg=j1eVS&pd_rd_w=Rbsy) (Year: 2023).\*

Easehold Lighted Makeup Mirror, posted at amazon.com, posting date Jul. 10, 2023, retrieved Oct. 30, 2023, online, [https://www.amazon.com/dp/B0CBK8Y53S/ref=sspa\\_dk\\_detail\\_7?psc=1&pd\\_rd\\_i=B0CBK8Y53S&pd\\_rd\\_w=ZhFNI&content-id=amzn1.sym.0d1092dc-81bb-493f-8769-d5c802257e94&pf\\_rd\\_p=0d109...](https://www.amazon.com/dp/B0CBK8Y53S/ref=sspa_dk_detail_7?psc=1&pd_rd_i=B0CBK8Y53S&pd_rd_w=ZhFNI&content-id=amzn1.sym.0d1092dc-81bb-493f-8769-d5c802257e94&pf_rd_p=0d109...) (Year: 2023).\*

\* cited by examiner

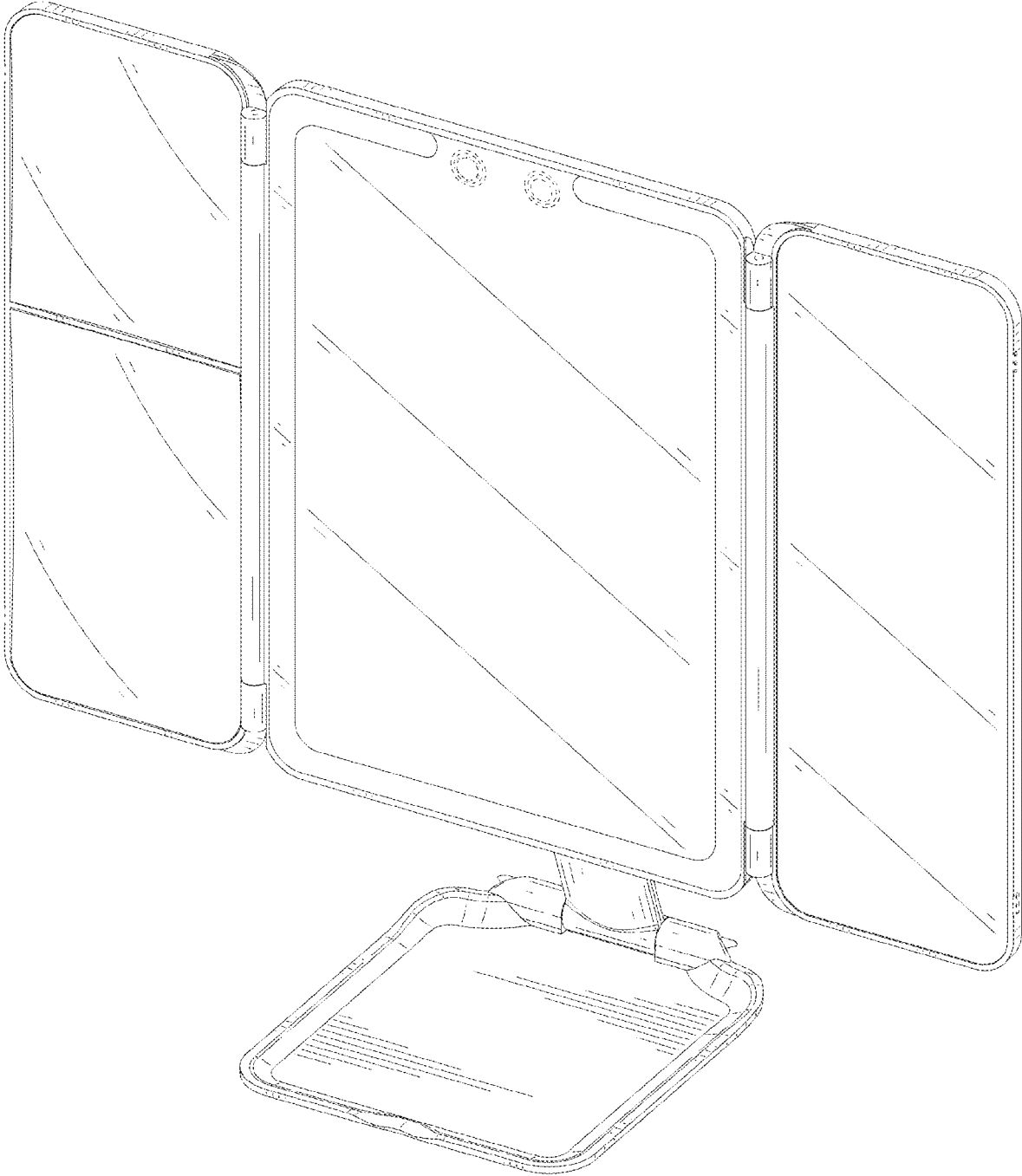


FIG. 1

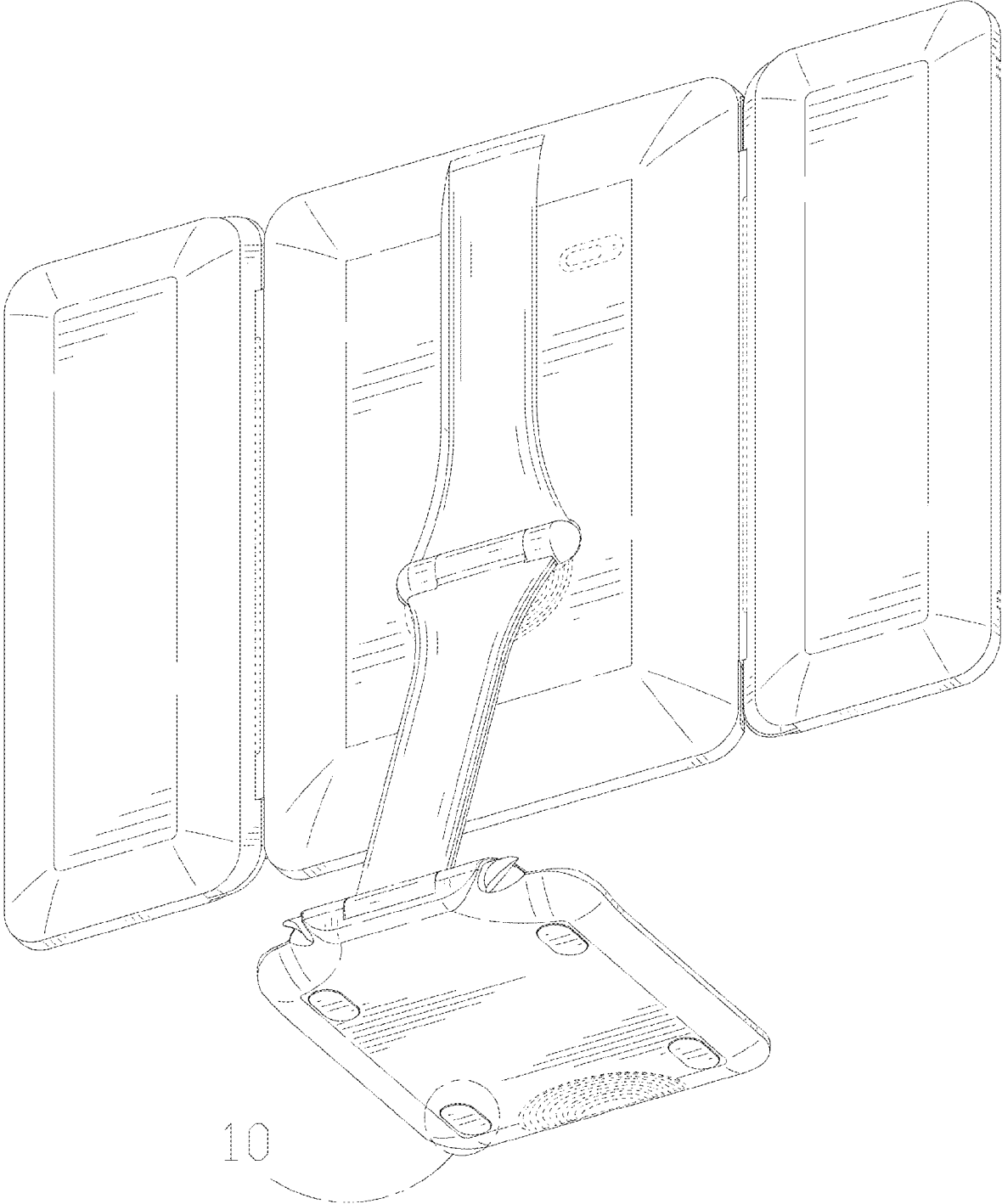


FIG. 2

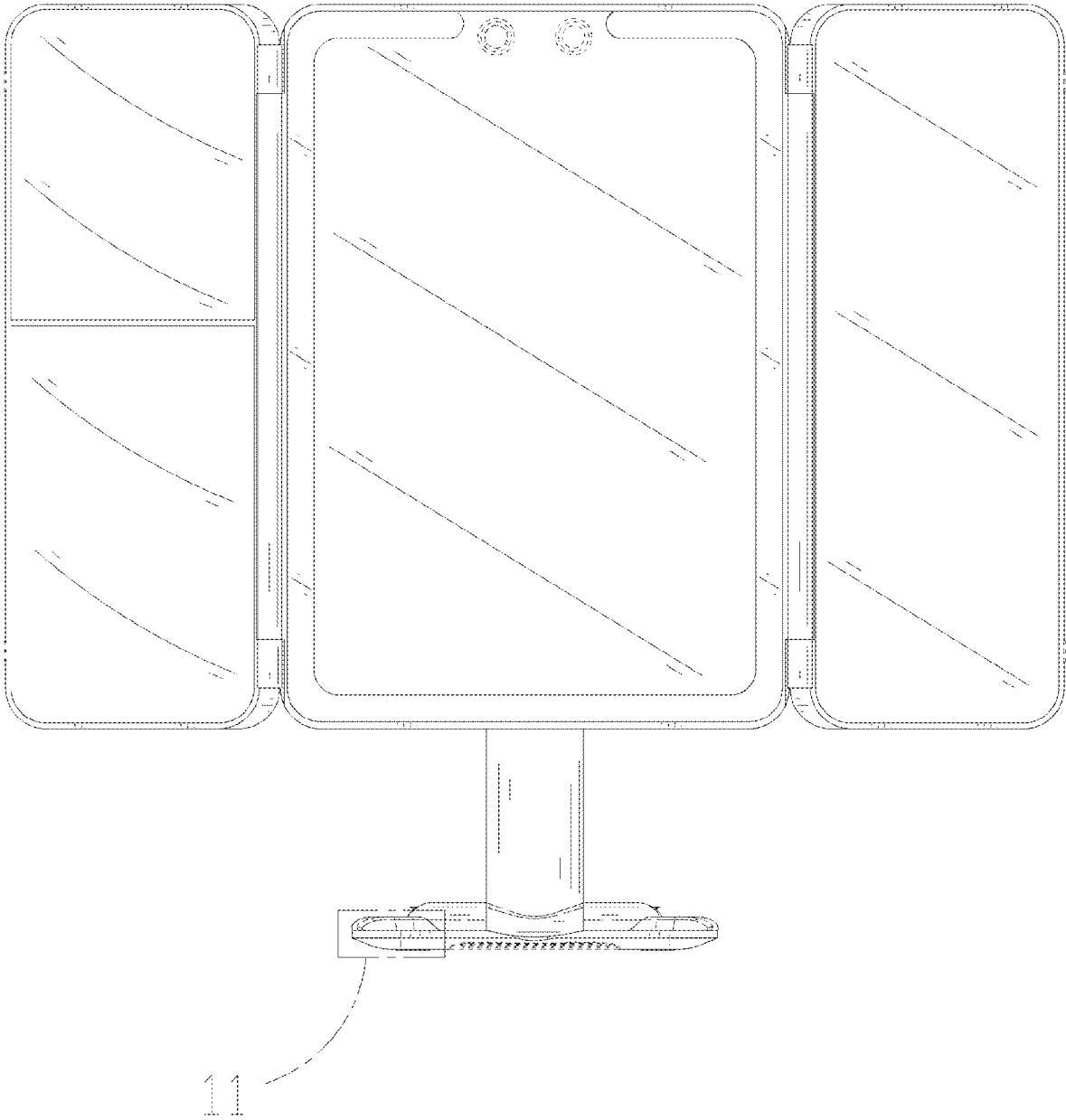


FIG. 3

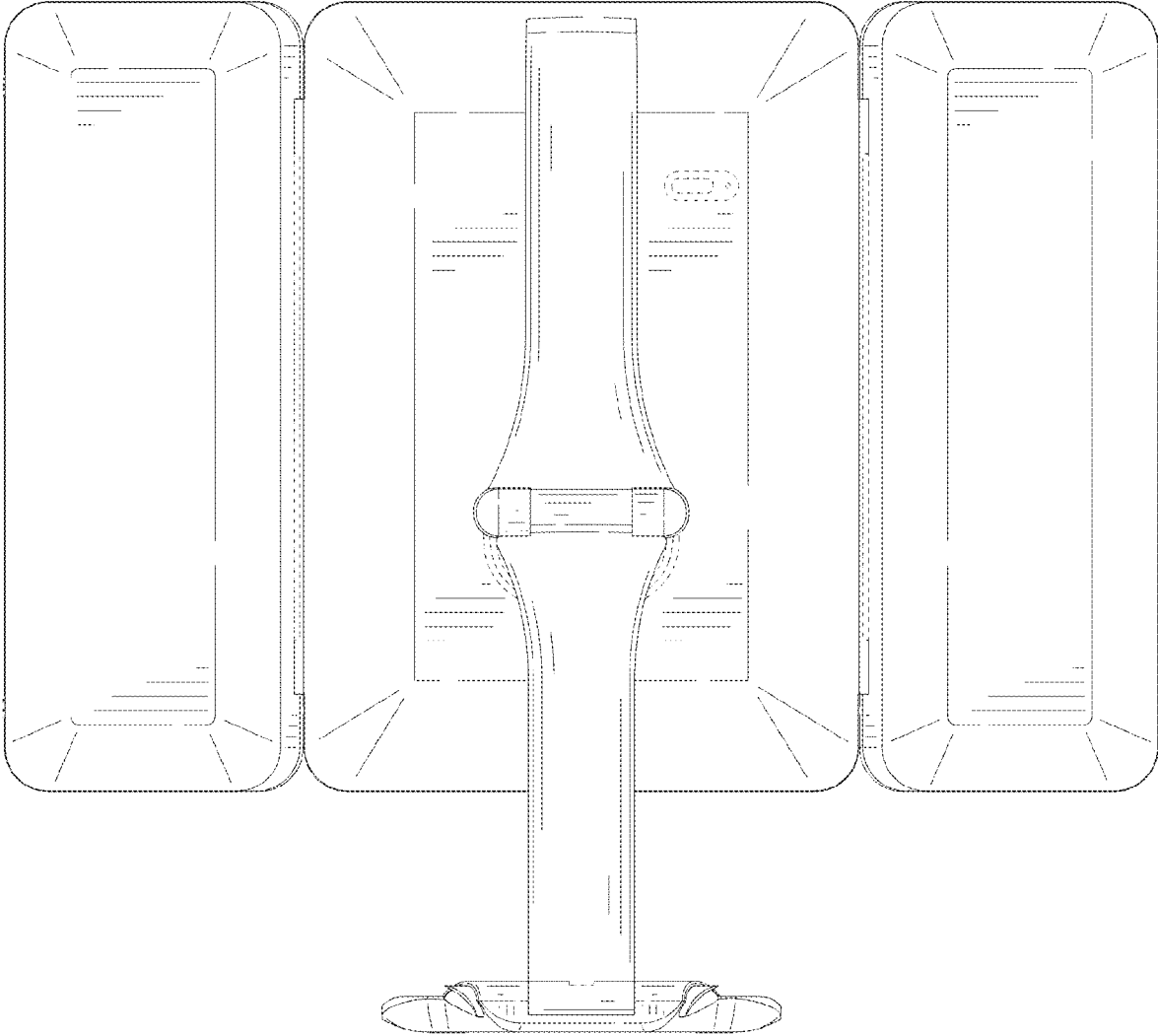


FIG. 4

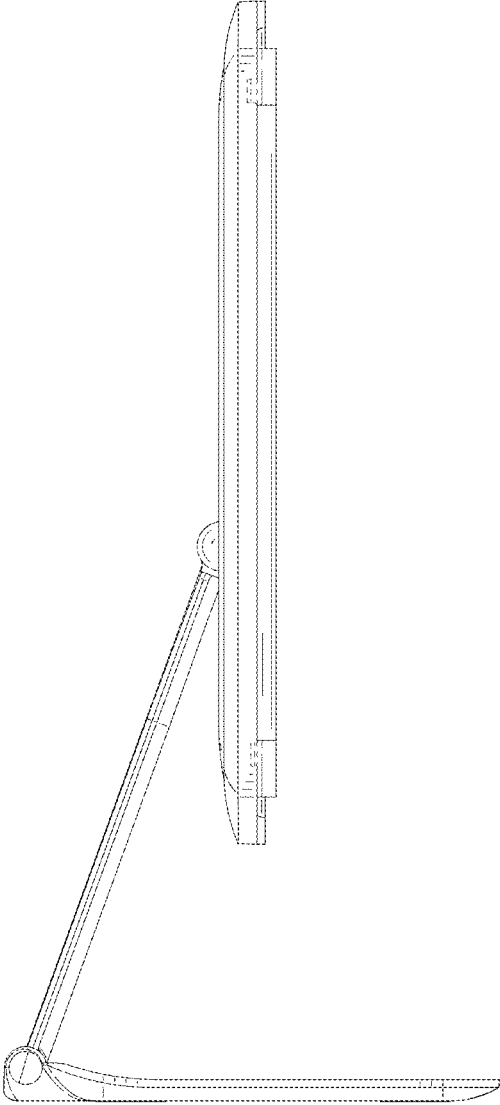


FIG. 5

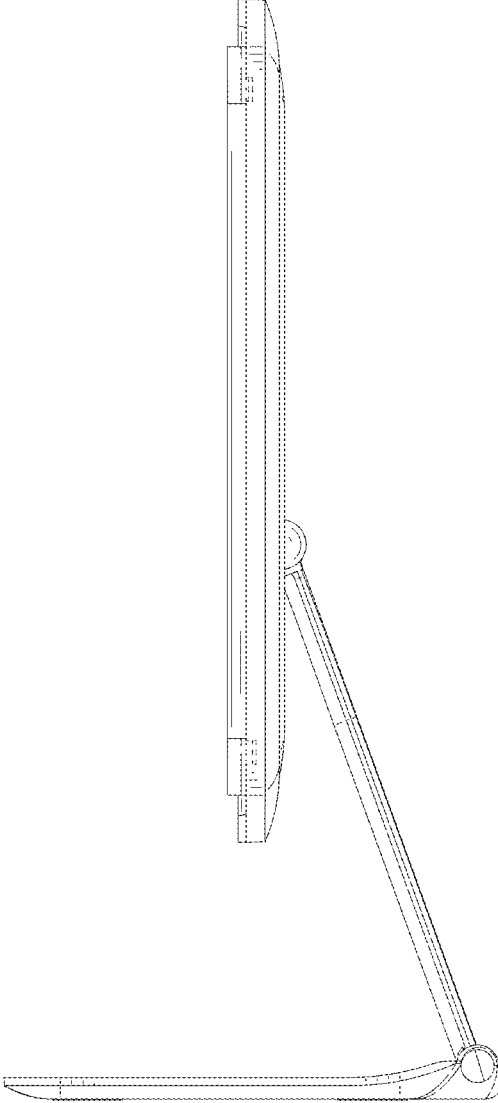


FIG. 6

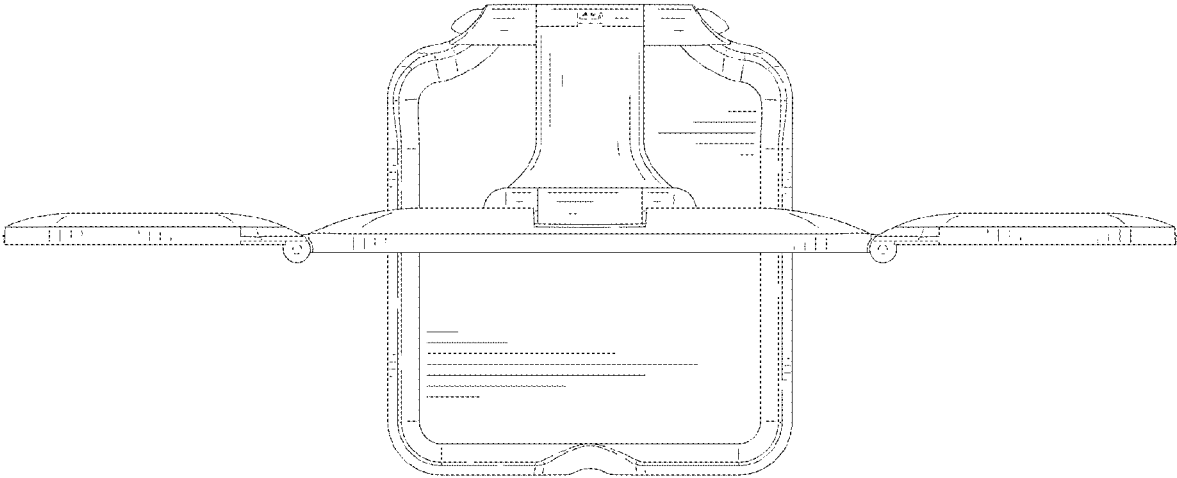


FIG. 7

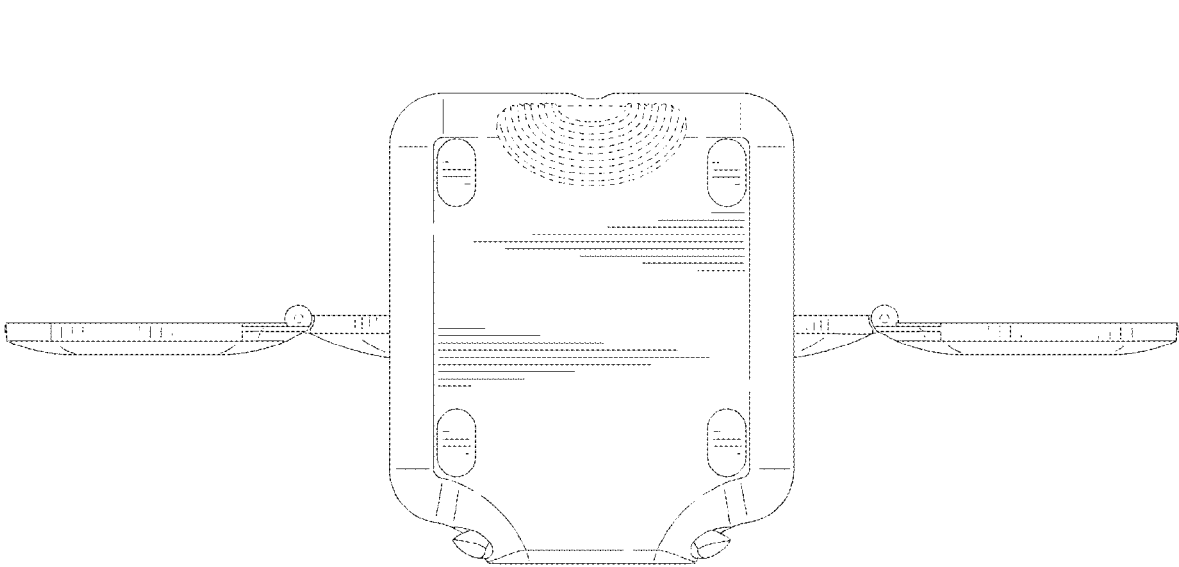


FIG. 8

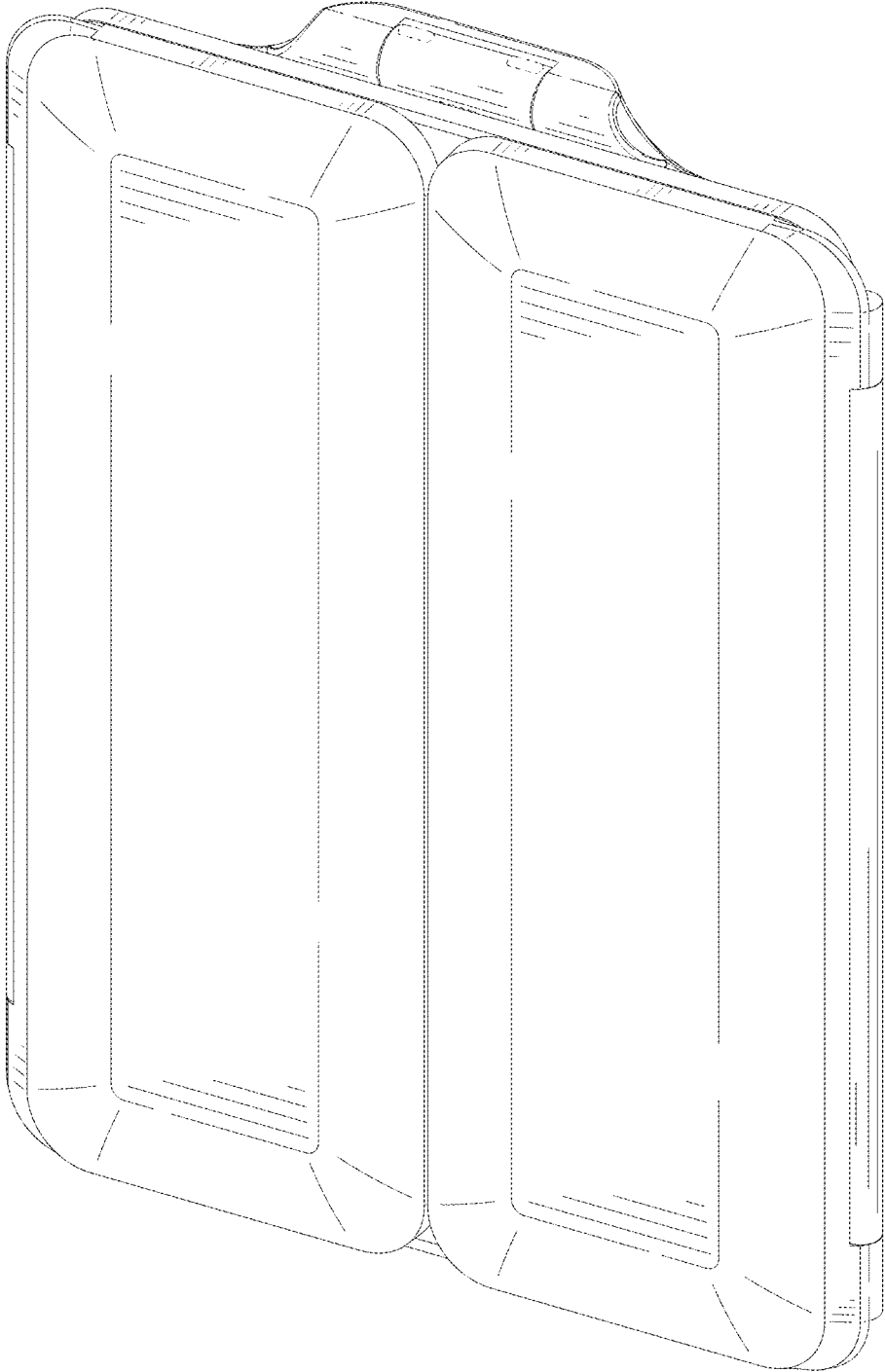


FIG. 9



FIG. 10

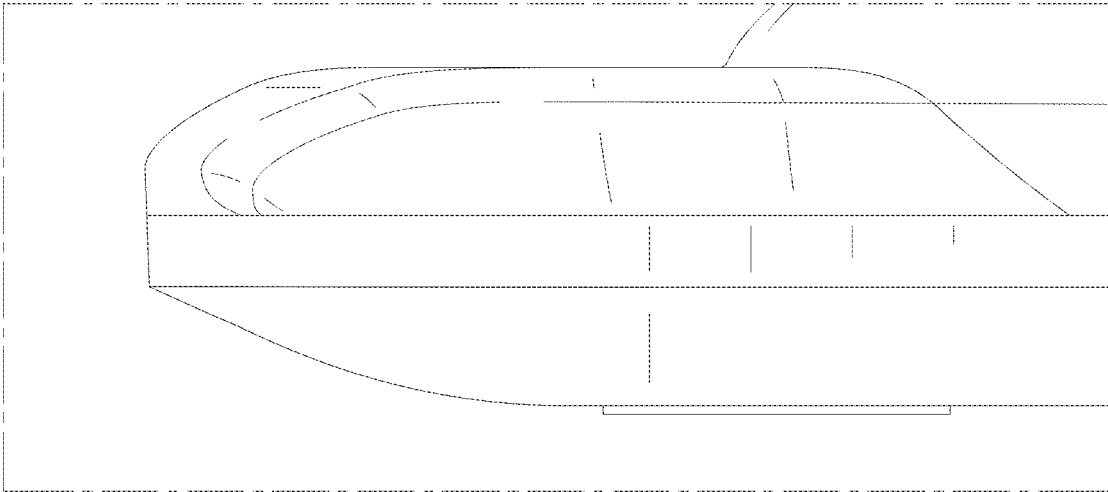


FIG. 11