

Name : Kohler Co.

Sheet No.: 1

App. No.: /MUM/2014

Total Sheets : 5

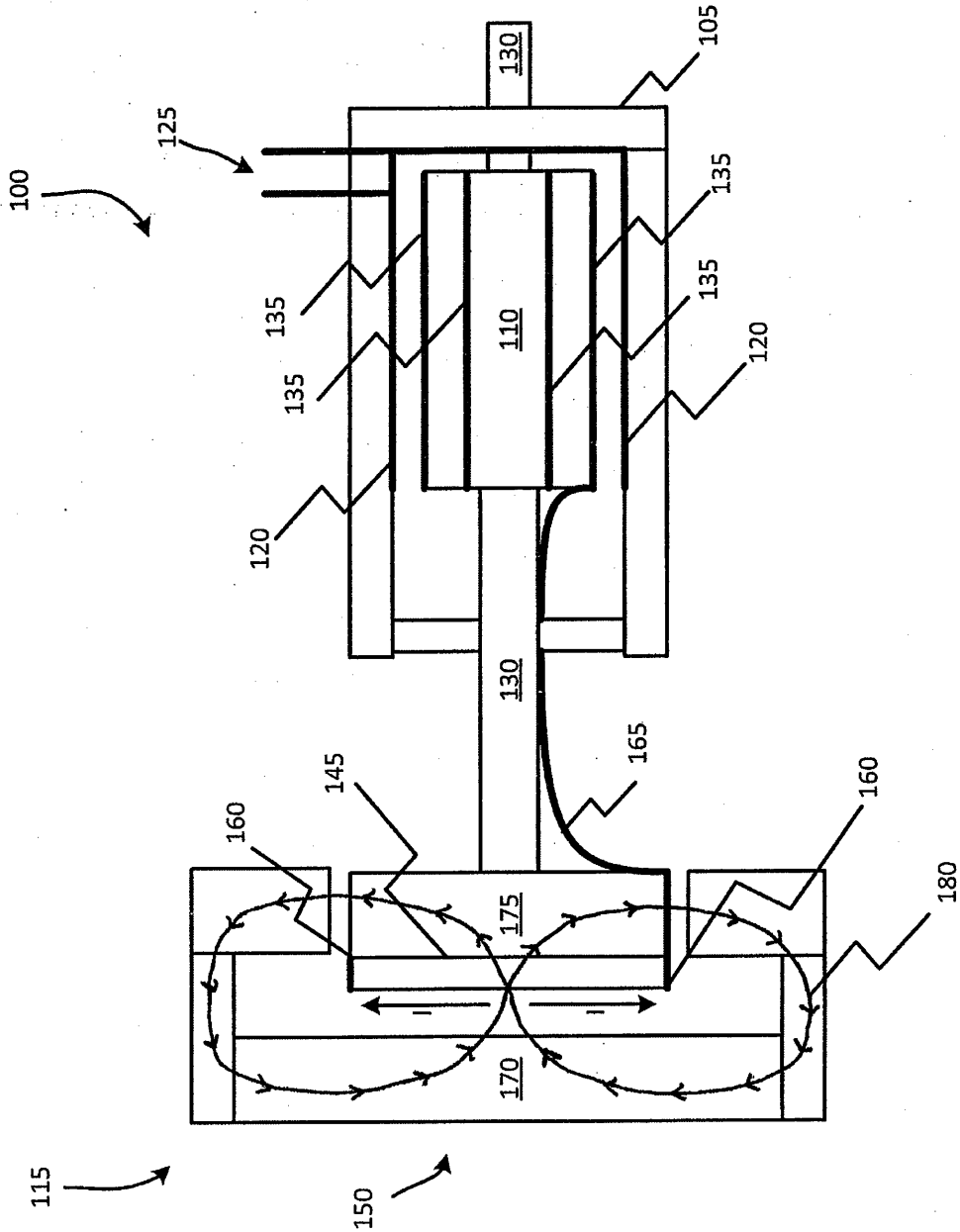


Fig. 1

(GIRISH VIJAYANAND SHETH) - IN/PA 1022  
KRISHNA & SAURASTRI ASSOCIATES

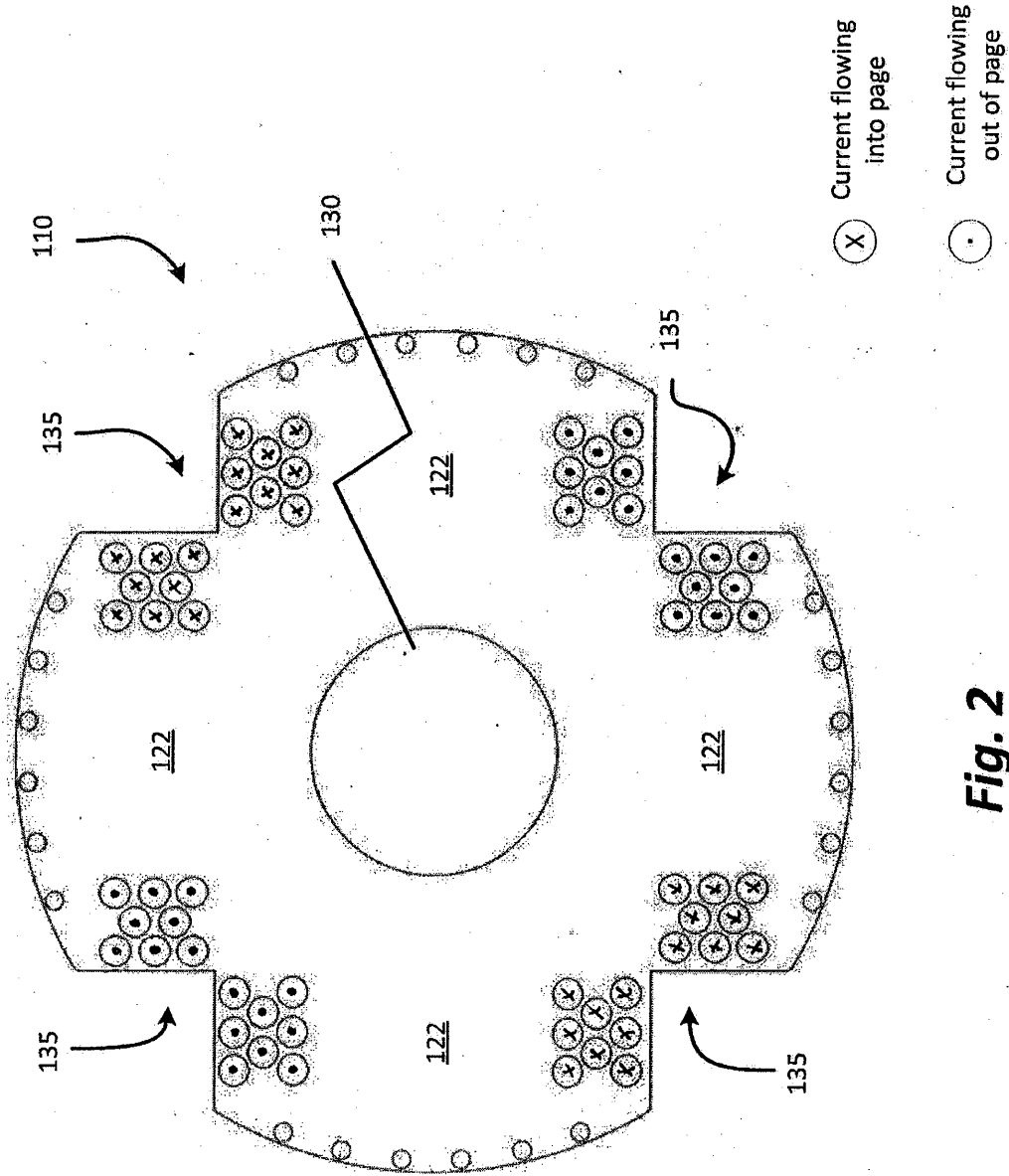


Fig. 2

Name : Kohler Co.

Sheet No.: 3

App. No.: /MUM/2014

Total Sheets .: 5

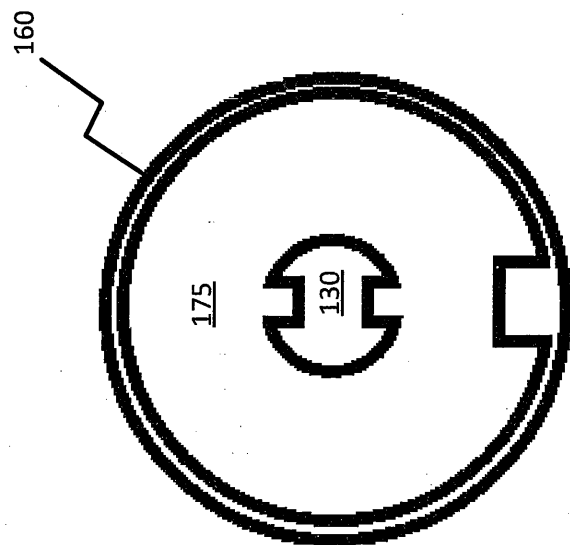


Fig. 3B

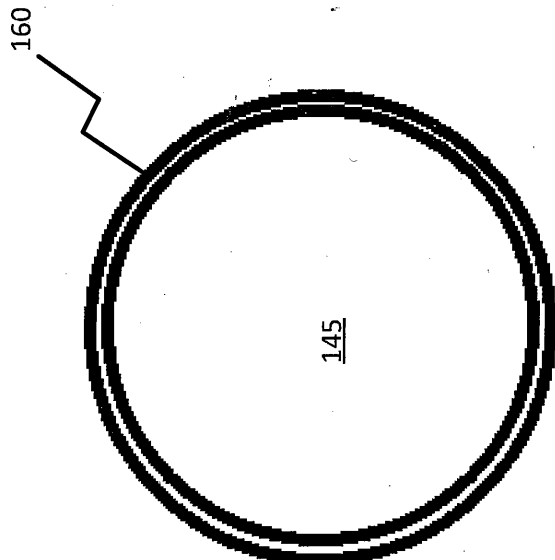


Fig. 3A

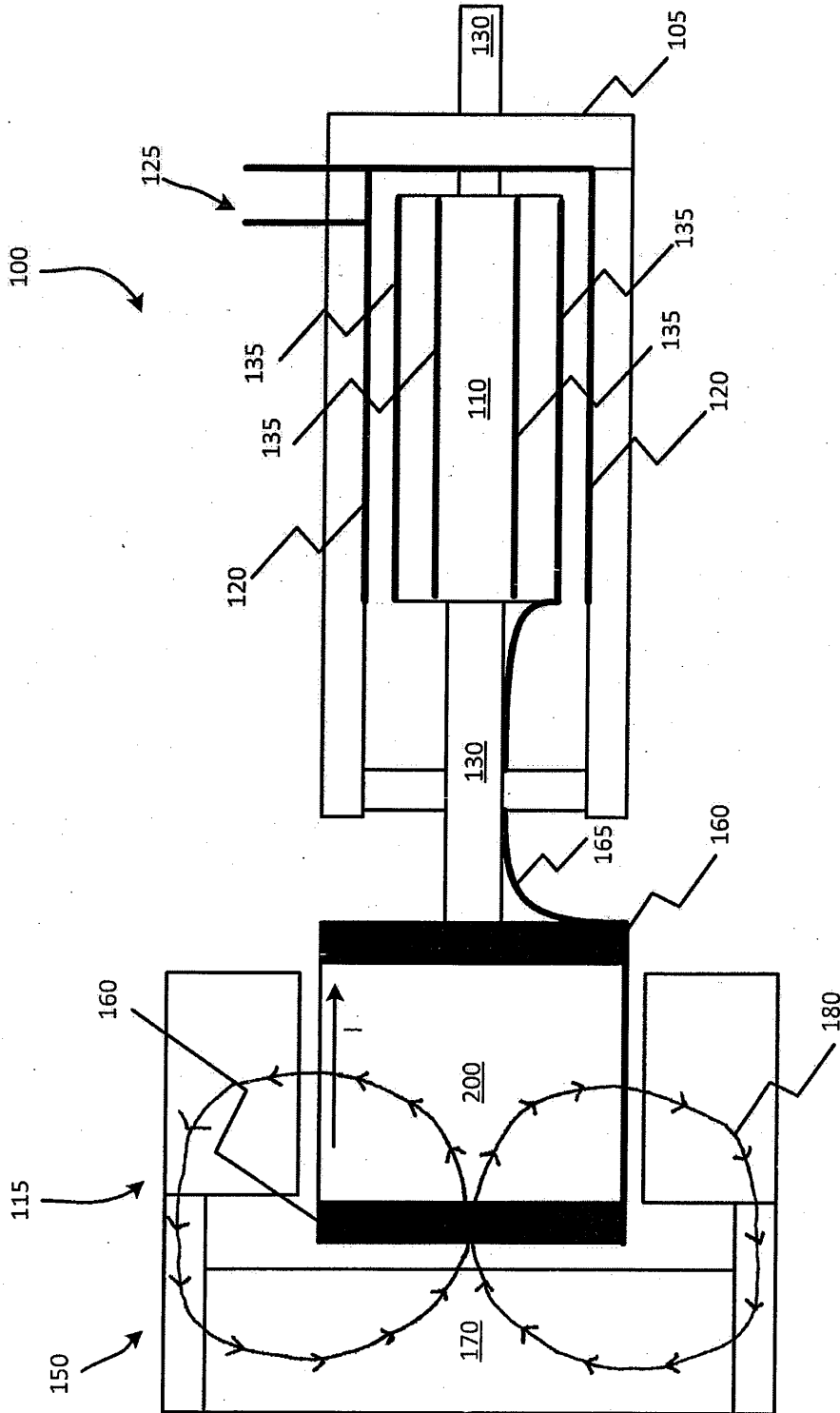


Fig. 4

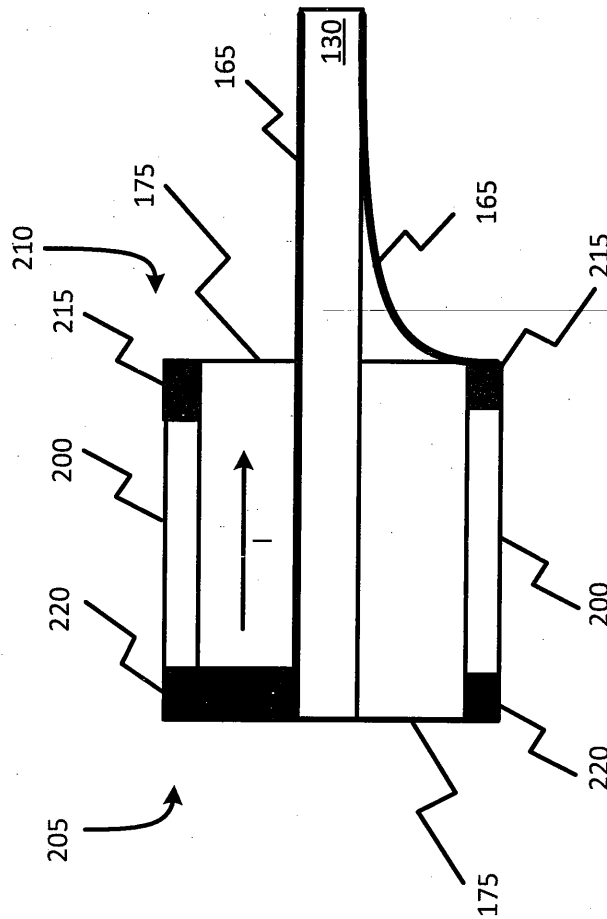


Fig. 5