



US00D466854S

(12) **United States Design Patent**
Kern

(10) **Patent No.:** **US D466,854 S**

(45) **Date of Patent:** **** Dec. 10, 2002**

- (54) **WHEEL**
- (75) **Inventor:** **Steven J. Kern, Palatine, IL (US)**
- (73) **Assignee:** **GB Automotive Products, Inc., Hawthorne, CA (US)**
- (**) **Term:** **14 Years**
- (21) **Appl. No.:** **29/151,925**
- (22) **Filed:** **Oct. 26, 2001**

D409,552 S	*	5/1999	Chung	D12/211
D409,553 S		5/1999	Neeper	D12/211
D416,532 S	*	11/1999	Cullen	D12/209
D421,417 S	*	3/2000	Weidhase	D12/209
D428,378 S		7/2000	Lee	D12/209
D431,514 S	*	10/2000	Cullen	D12/209
D432,481 S		10/2000	Brown	D12/209
D436,570 S		1/2001	Lee	D12/209
D445,083 S	*	7/2001	Chung	D12/211
D445,752 S		7/2001	Lee	D12/211
D447,993 S	*	9/2001	Neeper	D12/211
D450,650 S	*	11/2001	Cinibulk	D12/211
D451,463 S	*	12/2001	Murkett et al.	D12/209

- (51) **LOC (7) Cl.** **12-16**
- (52) **U.S. Cl.** **D12/211**
- (58) **Field of Search** D12/204-211;
301/37.1, 64.1, 65

* cited by examiner

Primary Examiner—Stacia Cadmus

(74) *Attorney, Agent, or Firm*—Stetina Brunda Garred & Brucker

(56) **References Cited**

U.S. PATENT DOCUMENTS

D204,669 S	5/1966	Goodwin	D14/30
D207,001 S	2/1967	Fenton	D14/30
D216,507 S	1/1970	Whitney	D14/30
D258,503 S	* 3/1981	Semple	D12/211
D347,203 S	5/1994	Buyze et al.	D12/211
D367,460 S	2/1996	Chung	D12/209
D381,618 S	7/1997	Suprihanto	D12/209
D386,461 S	11/1997	Neeper	D12/209
D392,611 S	* 3/1998	Echazabal et al.	D12/211
D403,644 S	1/1999	Elbertse et al.	D12/209

(57) **CLAIM**

The ornamental design for a wheel, as shown and described.

DESCRIPTION

FIG. 1 is a front perspective view of the wheel invention showing my new design;
 FIG. 2 is a front elevational view of the wheel invention showing my new design; and,
 FIG. 3 is a side elevational view thereof.

1 Claim, 2 Drawing Sheets

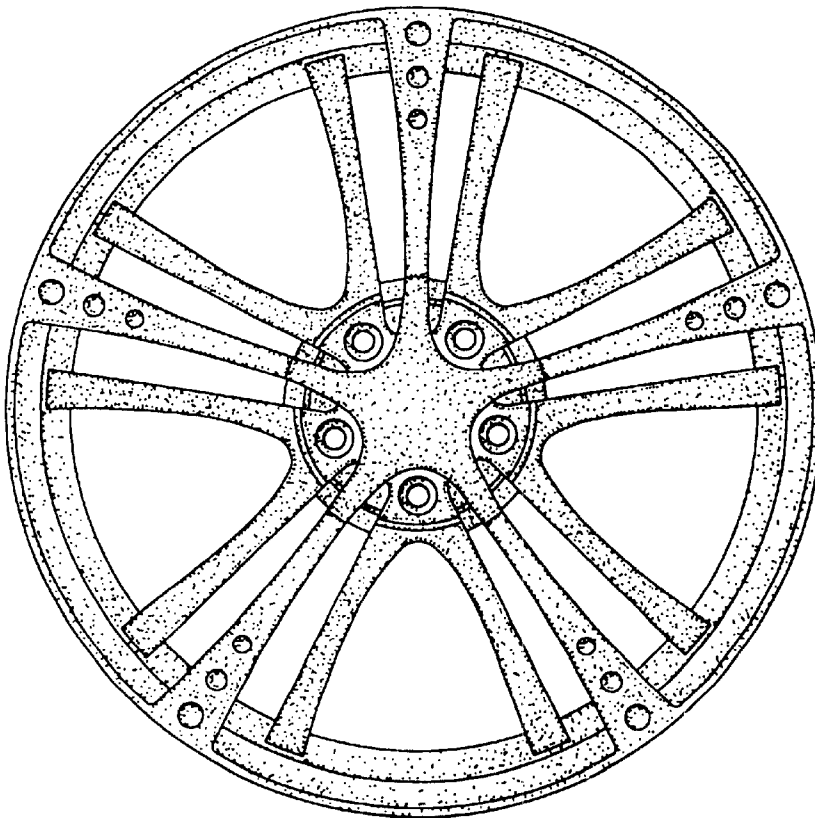


Fig. 1

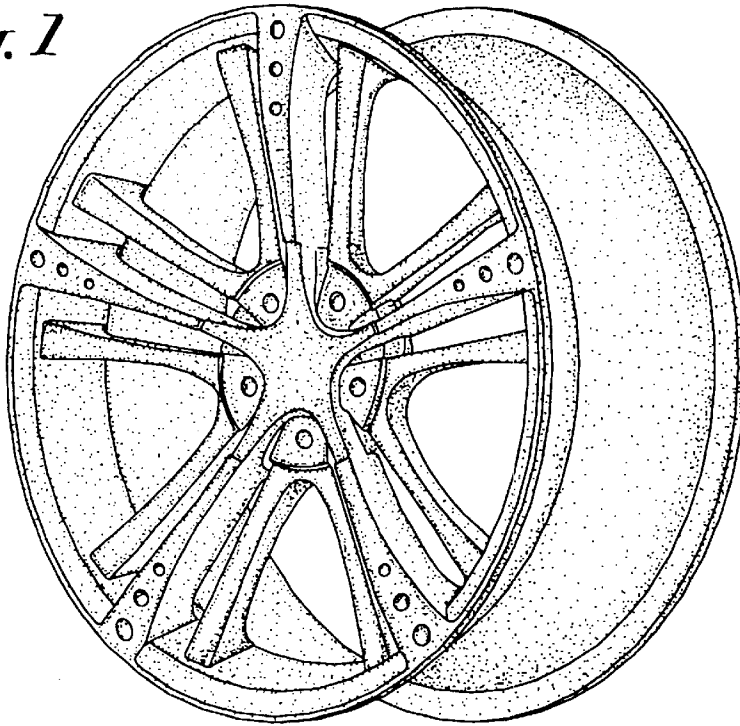
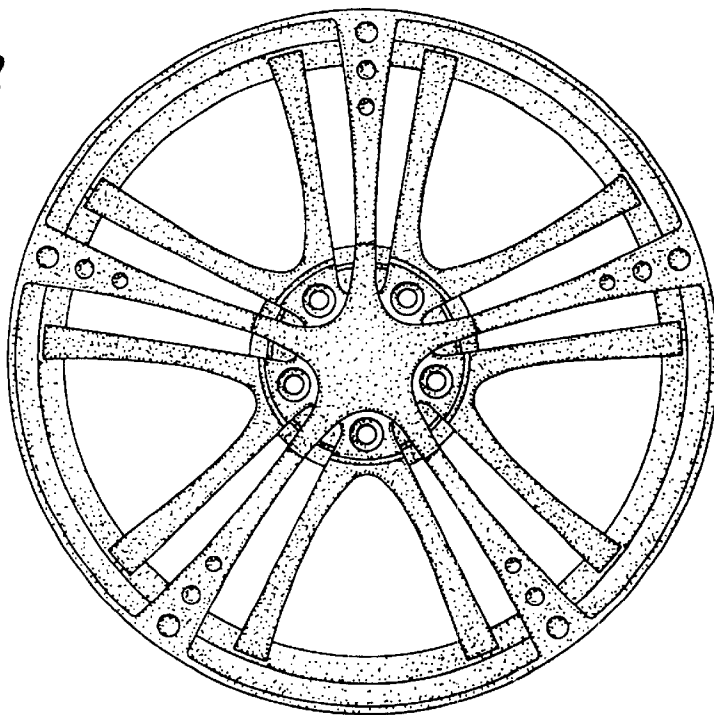


Fig. 2



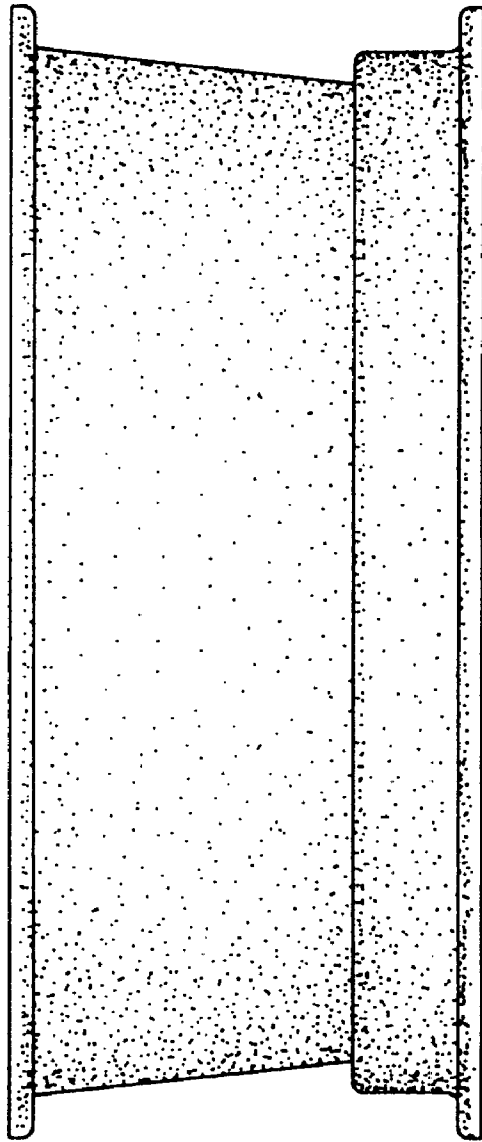


Fig. 3