



US00D378513S

**United States Patent** [19]  
**Bandas et al.**

[11] **Patent Number: Des. 378,513**  
[45] **Date of Patent: \*\*Mar. 18, 1997**

[54] **SOLENOID ASSEMBLY**

[75] Inventors: **John Bandas**, Streamwood; **Pete Stocco**, Schaumburg, both of Ill.  
[73] Assignee: **Synchro-Start Products, Inc.**, Niles, Ill.  
[\*\*] Term: **14 Years**

[21] Appl. No.: **47,403**  
[22] Filed: **Dec. 4, 1995**  
[52] **U.S. Cl.** ..... **D13/183**  
[58] **Field of Search** ..... D18/166, 183;  
335/251, 255, 278

[56] **References Cited**

**U.S. PATENT DOCUMENTS**

D. 342,941	1/1994	Tannenbaum et al. .	
2,533,187	12/1950	Cataldo et al. .	
3,215,902	11/1965	Foley et al. .	
3,890,587	6/1975	Field .....	335/255
4,153,890	5/1979	Coors .	
4,217,567	8/1980	Roy et al. .	
4,679,017	7/1987	Mishler et al. .	

**OTHER PUBLICATIONS**

Vanner Incorporated, "Power Conversion and Control Systems for Mobile, Remote and Alternate Energy Applications," Catalog No. 100.

*Primary Examiner*—Antoine Duval Davis  
*Attorney, Agent, or Firm*—Wallenstein & Wagner, Ltd.

[57] **CLAIM**

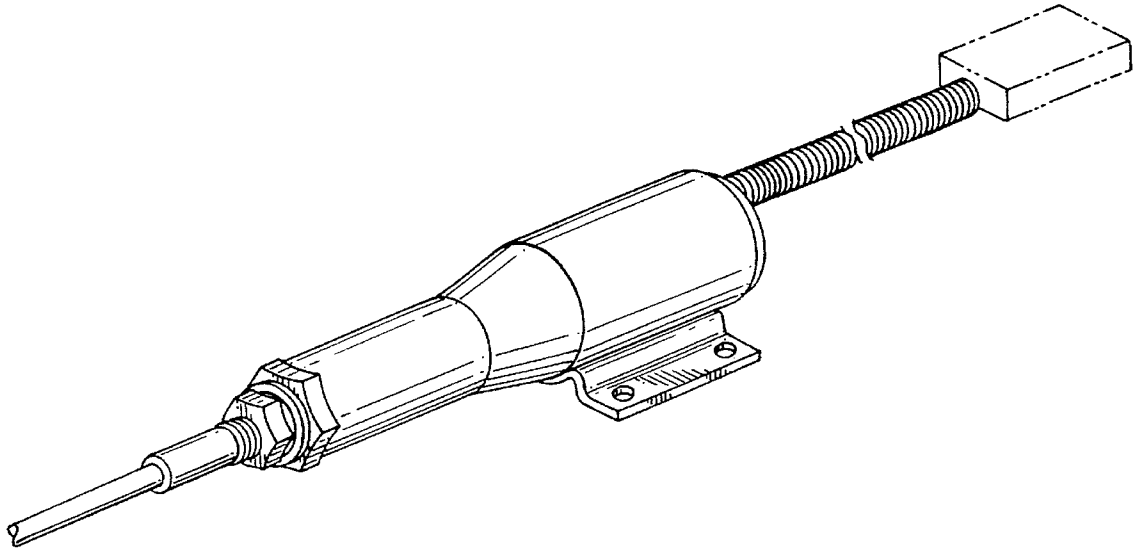
The ornamental design for a solenoid assembly, as shown and described.

**DESCRIPTION**

FIG. 1 is a perspective view of the solenoid assembly showing our design;  
FIG. 2 is a side elevational view thereof;  
FIG. 3 is top plan view thereof;  
FIG. 4 is a bottom plan view thereof;  
FIG. 5 is a front elevational view thereof;  
FIG. 6 is a rear elevational view thereof; and,  
FIG. 7 is an elevational view of the side opposite to that shown in FIG. 2.

The connector housing in broken lines is shown for illustrative purposes only and forms no part of the claimed design.

**1 Claim, 2 Drawing Sheets**



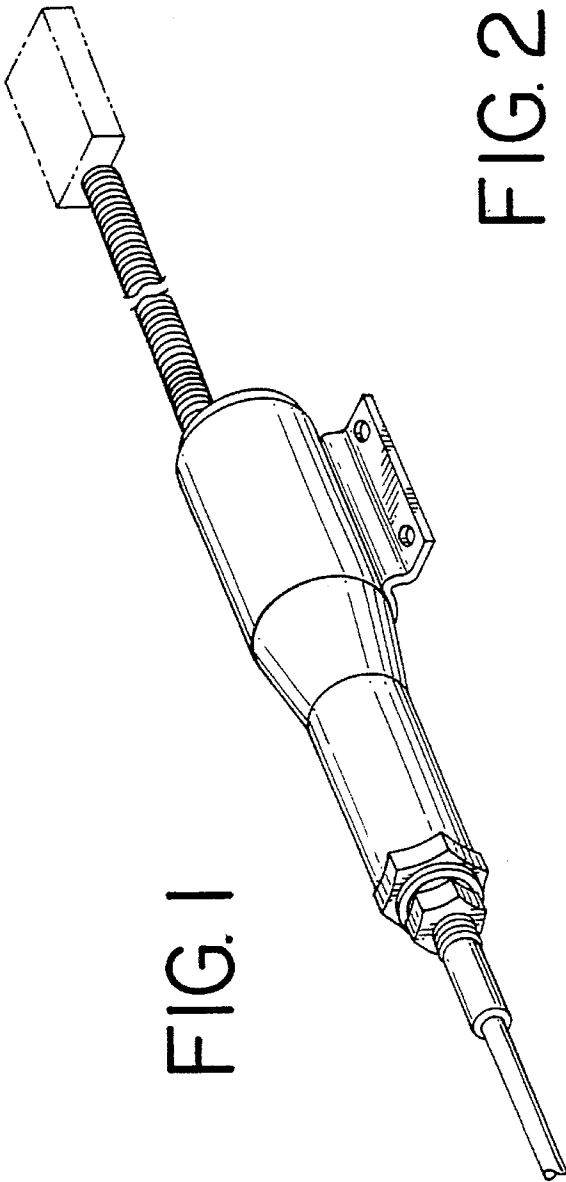


FIG. 2

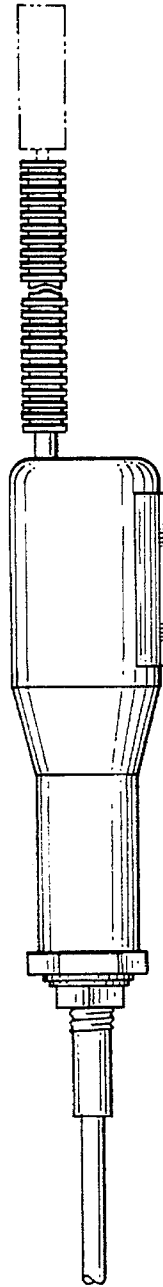


FIG. 3

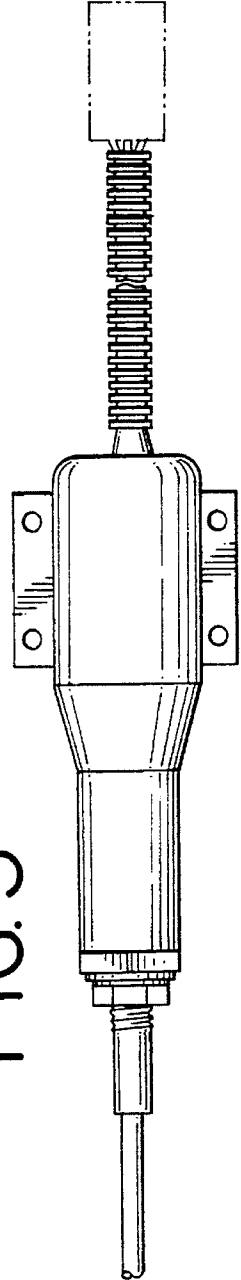


FIG. 4

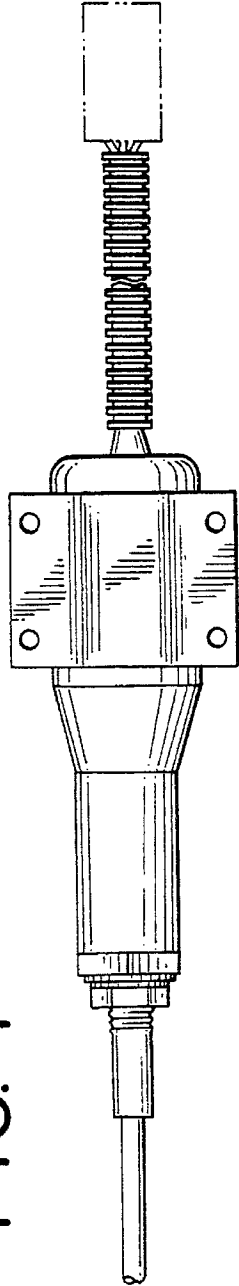


FIG. 5

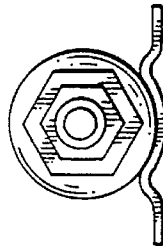


FIG. 6

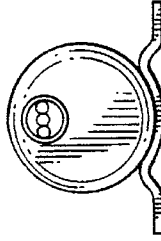


FIG. 7

