



US00D577320S

(12) **United States Design Patent**  
**Choi et al.**

(10) **Patent No.:** **US D577,320 S**

(45) **Date of Patent:** **\*\* Sep. 23, 2008**

(54) **VEHICLE DOOR MIRROR**

(75) Inventors: **Young Choi**, Redondo Beach, CA (US);  
**Roger Brown**, Corona, CA (US)

(73) Assignee: **Honda Motor Co., Ltd.**, Tokyo (JP)

(\*\*) Term: **14 Years**

(21) Appl. No.: **29/298,845**

(22) Filed: **Dec. 13, 2007**

(51) **LOC (8) Cl.** ..... **12-16**

(52) **U.S. Cl.** ..... **D12/187**

(58) **Field of Classification Search** ..... D12/187-199,  
D12/96; D6/300, 309; 359/838, 841, 843,  
359/844, 868, 871, 872, 877, 604, 881, 514,  
359/866; 248/475.1, 479-483

See application file for complete search history.

(56) **References Cited**

**U.S. PATENT DOCUMENTS**

- D508,003 S \* 8/2005 Kushima et al. .... D12/187
- 7,073,914 B2 \* 7/2006 Pavao ..... 359/841
- D551,143 S \* 9/2007 Leclercq ..... D12/187
- 2003/0016542 A1 \* 1/2003 Pastrick et al. .... 362/494

- 2005/0174645 A1 \* 8/2005 Boddy et al. .... 359/599
- 2005/0243449 A1 \* 11/2005 Pavao ..... 359/872
- 2008/0030885 A1 \* 2/2008 Peterson et al. .... 359/877

\* cited by examiner

*Primary Examiner*—Robert M. Spear  
*Assistant Examiner*—Katrina A Kile  
(74) *Attorney, Agent, or Firm*—Plumsea Law Group, LLC;  
Mark E. Duell

(57) **CLAIM**

The ornamental design for a vehicle door mirror, as shown and described.

**DESCRIPTION**

FIG. 1 is a perspective view of a vehicle door mirror showing our new design;

FIG. 2 is an elevational view thereof;

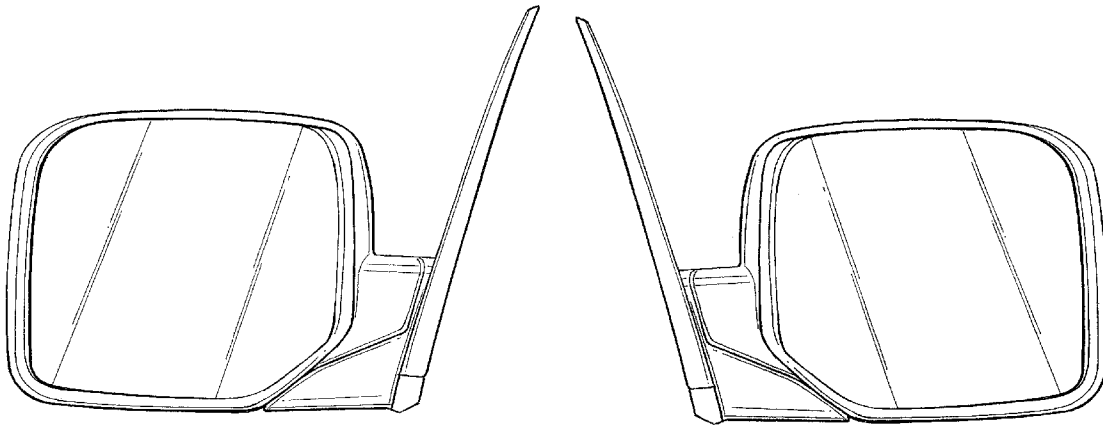
FIG. 3 is a top plan view thereof;

FIG. 4 is a perspective view of a right-handed version of the vehicle door mirror;

FIG. 5 is an elevational view thereof; and,

FIG. 6 is a top plan view thereof.

**1 Claim, 4 Drawing Sheets**



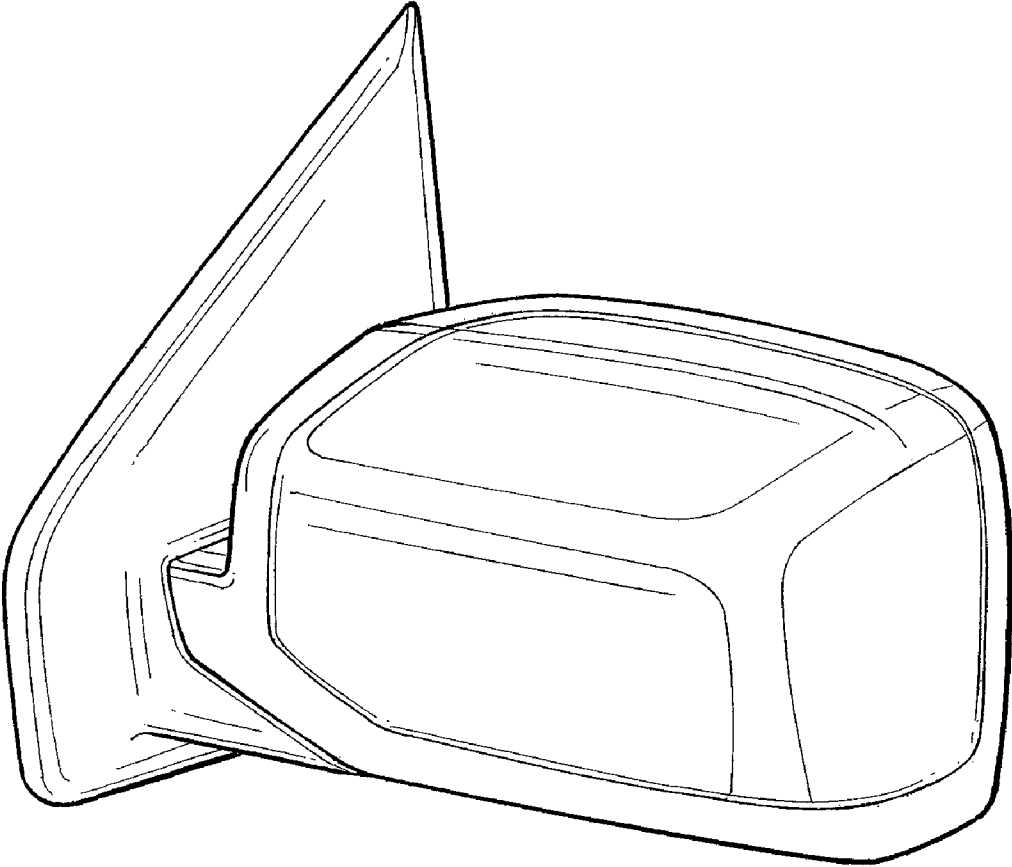


FIG . 1

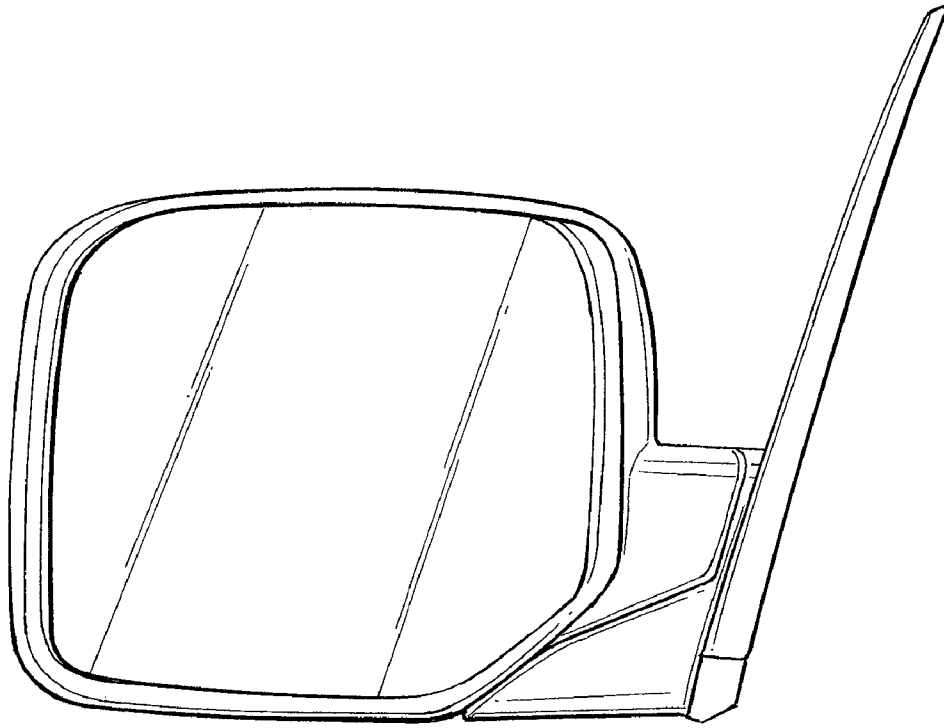


FIG. 2

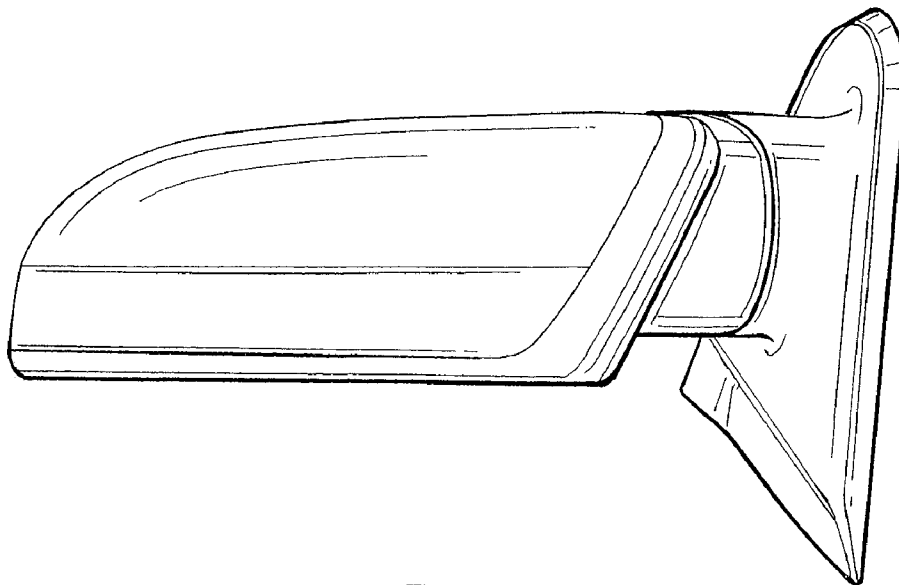


FIG. 3

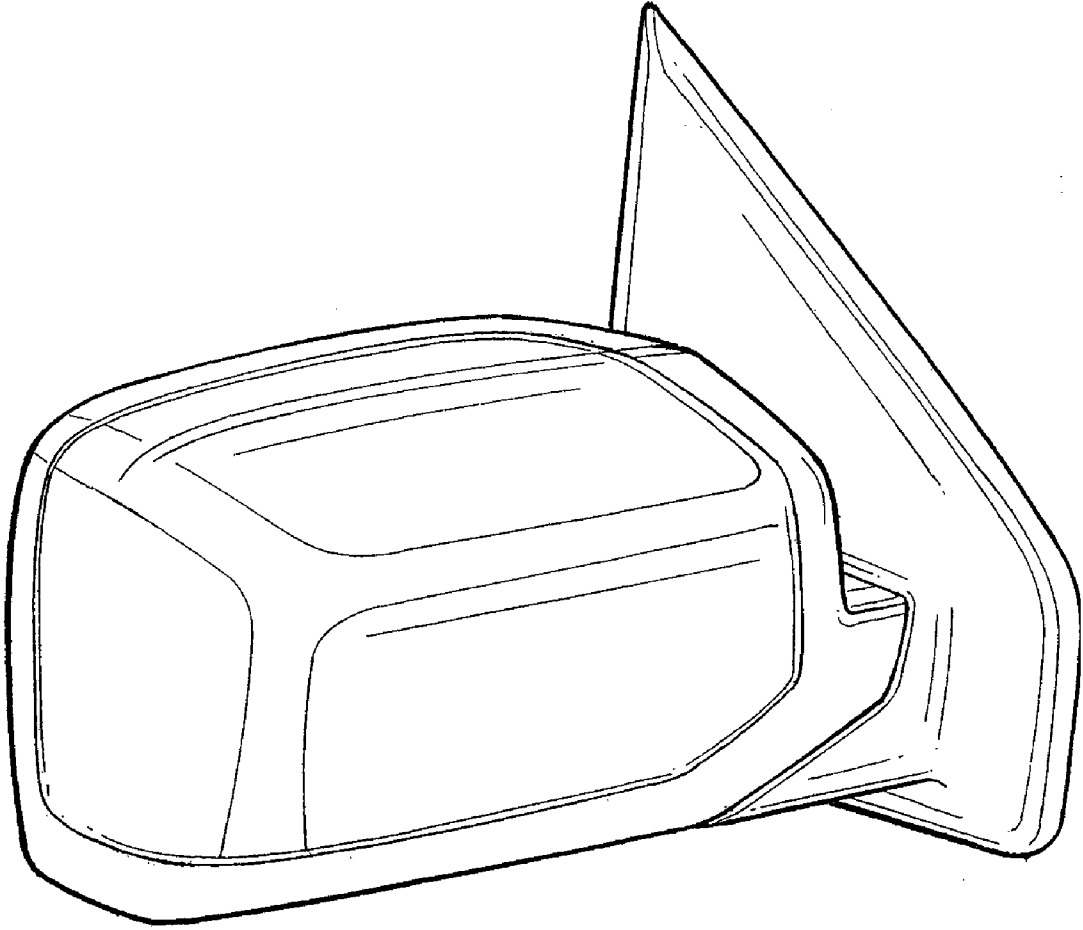


FIG. 4

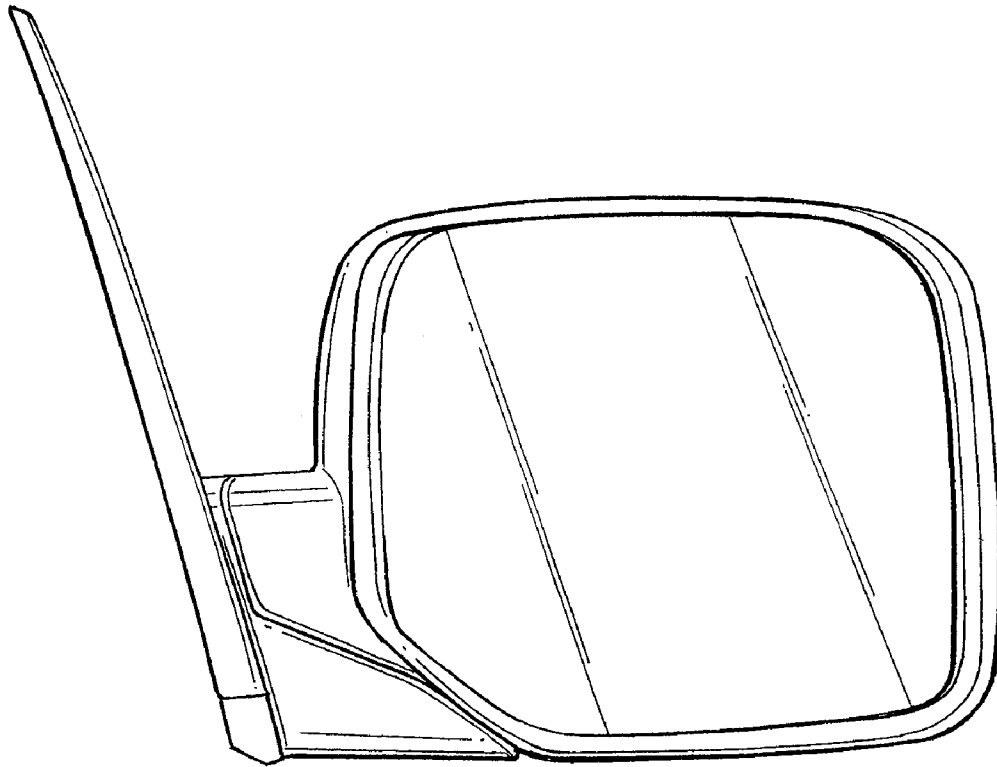


FIG. 5

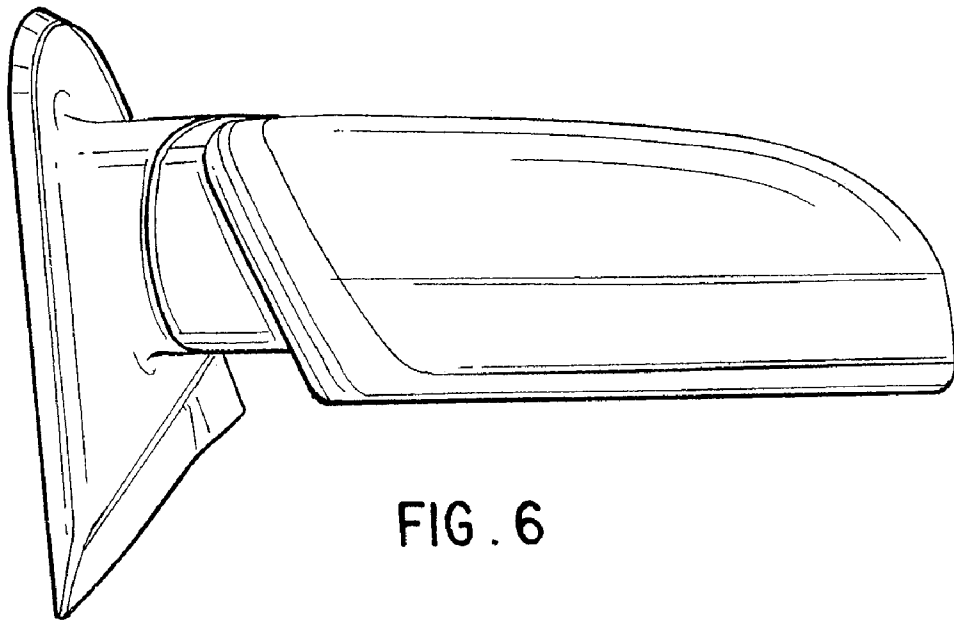


FIG. 6