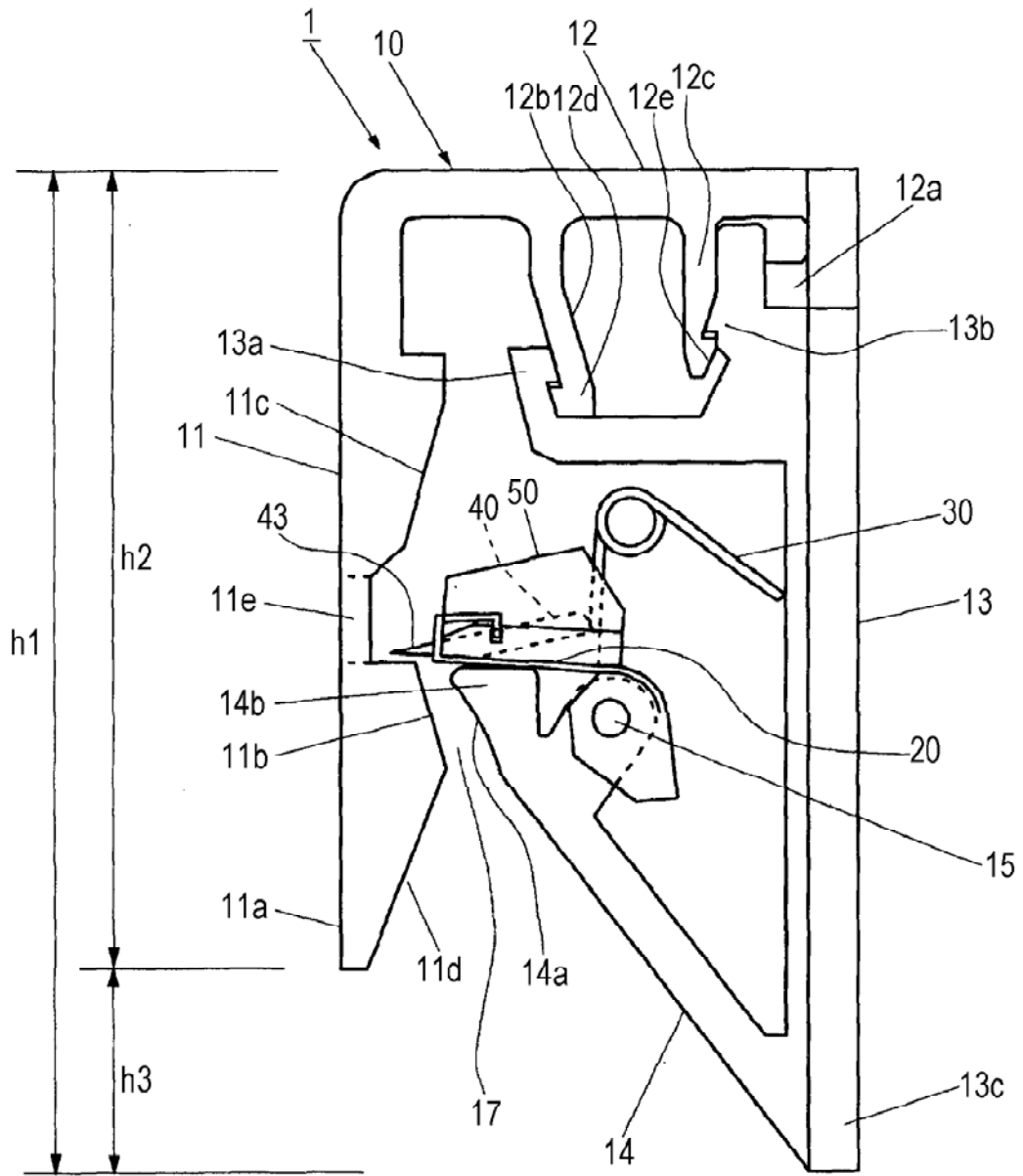


FIG. 1

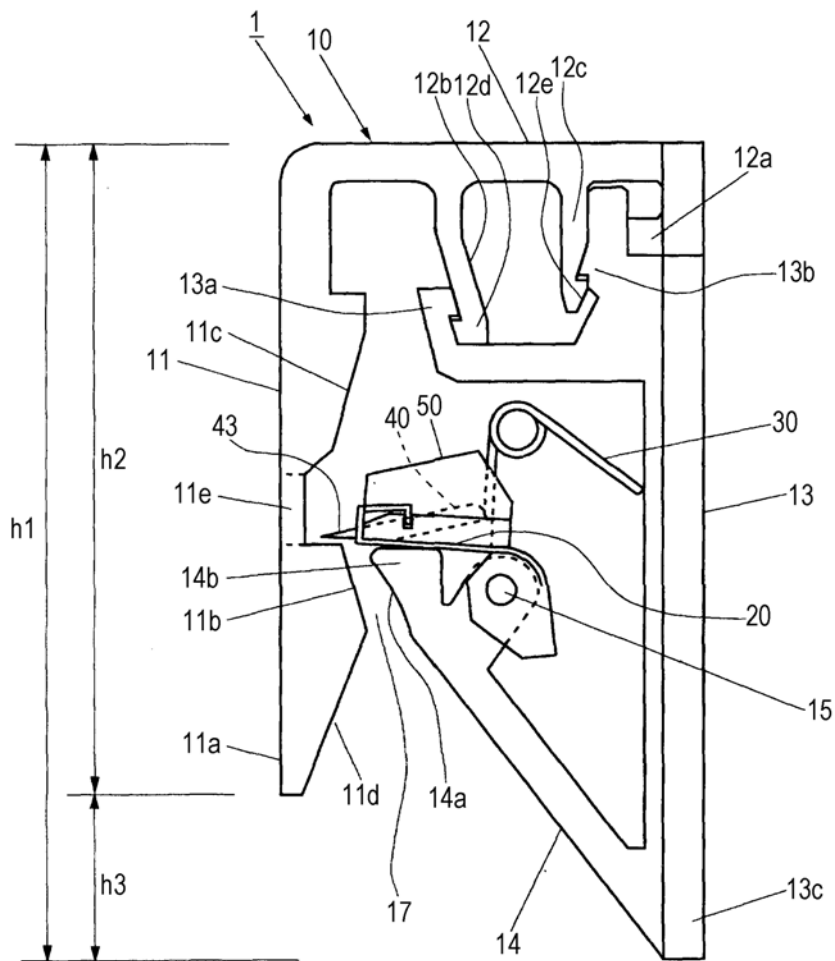


COMPLETE SPECIFICATION

GI TECHNOS INC.

TOTAL SHEETS: 7
CURRENT SHEET: 1

FIG. 1

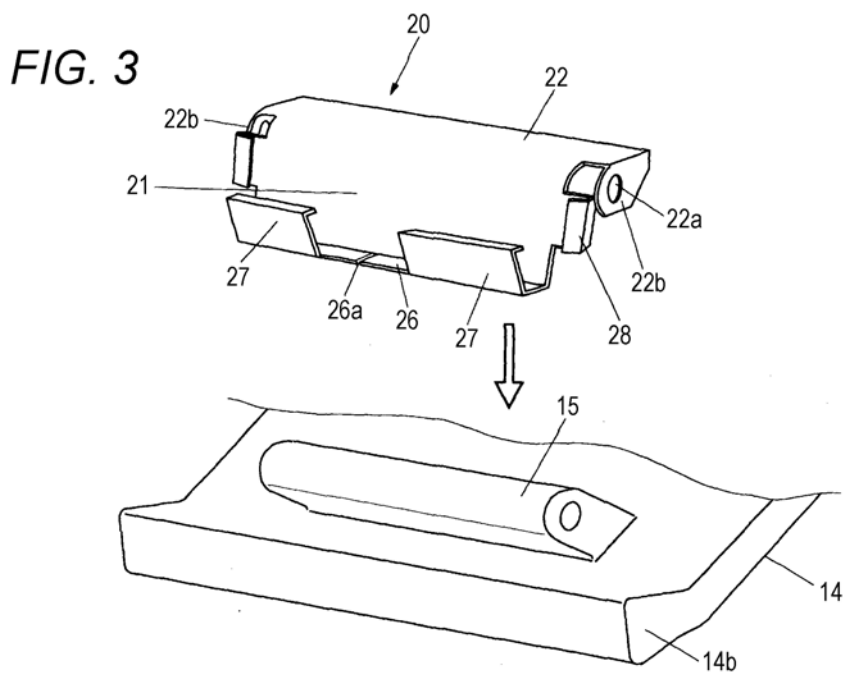
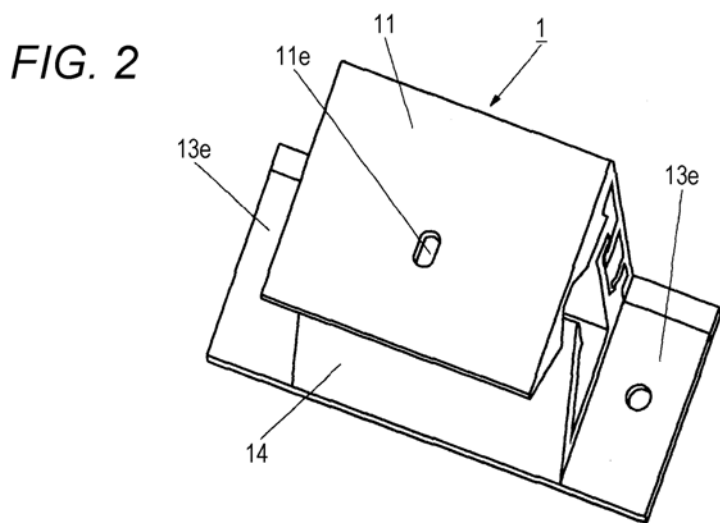


Dr. Rajeshkumar H. Acharya
Advocate & Patent Agent
For and on behalf of Applicant

COMPLETE SPECIFICATION

GI TECHNOS INC.

TOTAL SHEETS: 7
CURRENT SHEET: 2



Dr. Rajeshkumar H. Acharya
Advocate & Patent Agent
For and on behalf of Applicant

COMPLETE SPECIFICATION

GI TECHNOS INC.

TOTAL SHEETS: 7
CURRENT SHEET: 3

FIG. 4

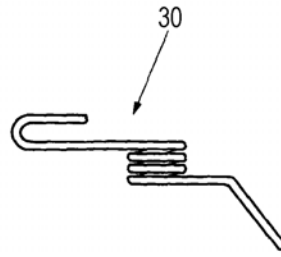


FIG. 5

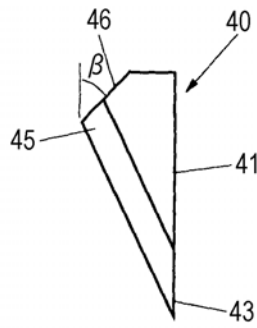
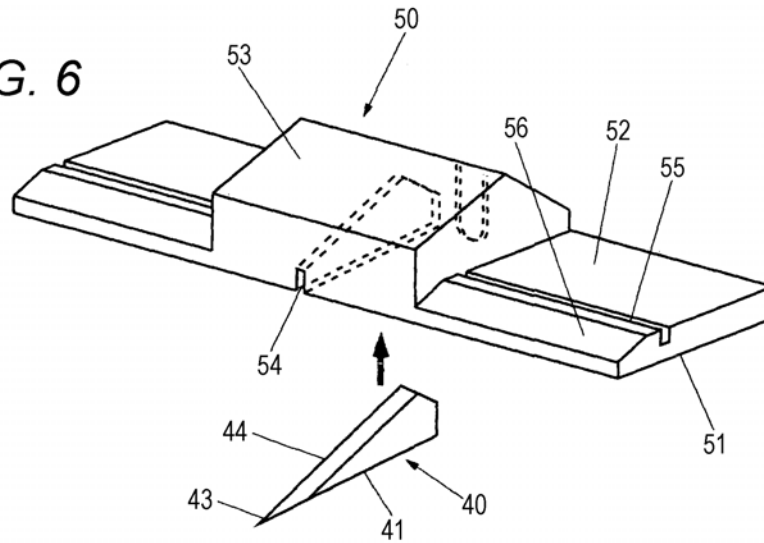


FIG. 6



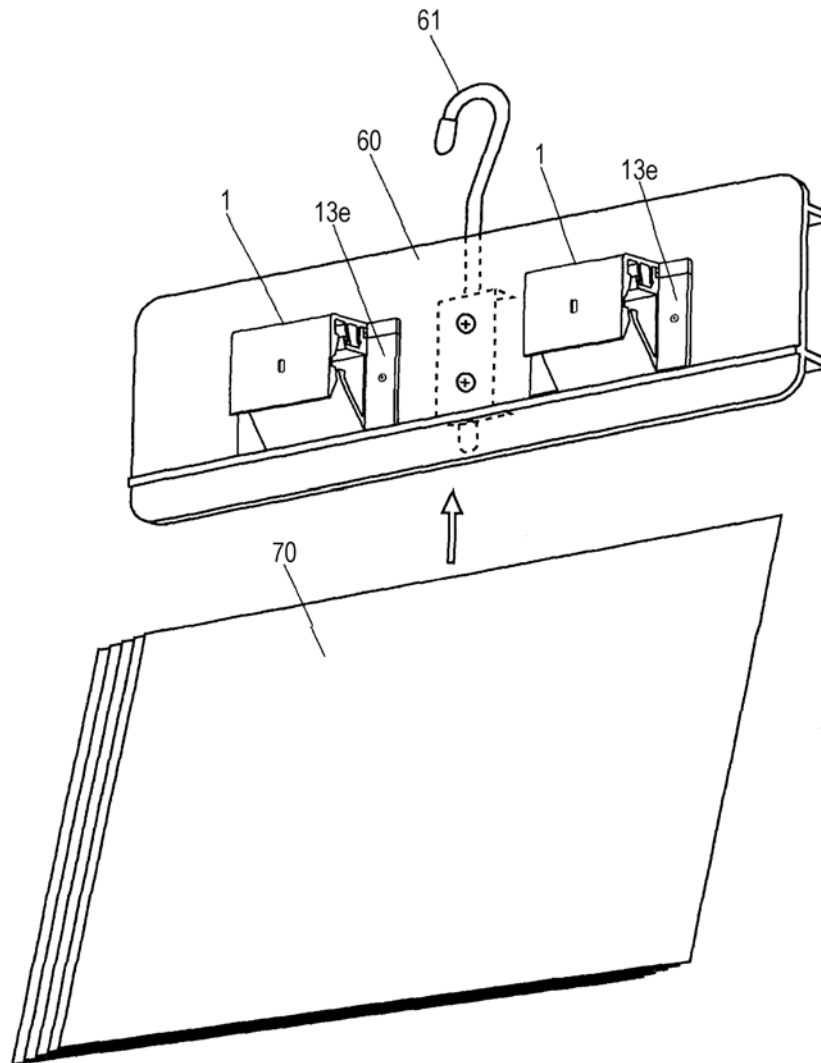
Dr. Rajeshkumar H. Acharya
Advocate & Patent Agent
For and on behalf of Applicant

COMPLETE SPECIFICATION

GI TECHNOS INC.

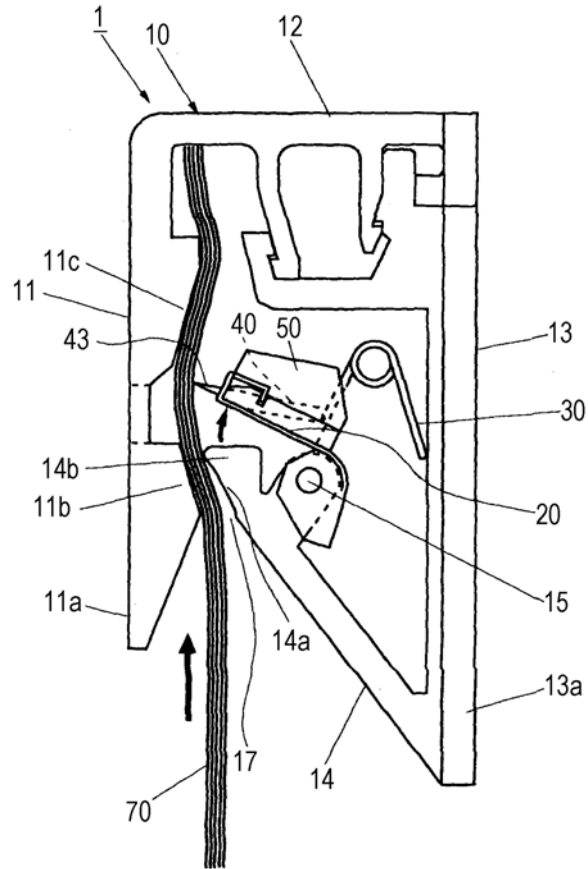
TOTAL SHEETS: 7
CURRENT SHEET: 4

FIG. 7



Dr. Rajeshkumar H. Acharya
Advocate & Patent Agent
For and on behalf of Applicant

FIG. 8

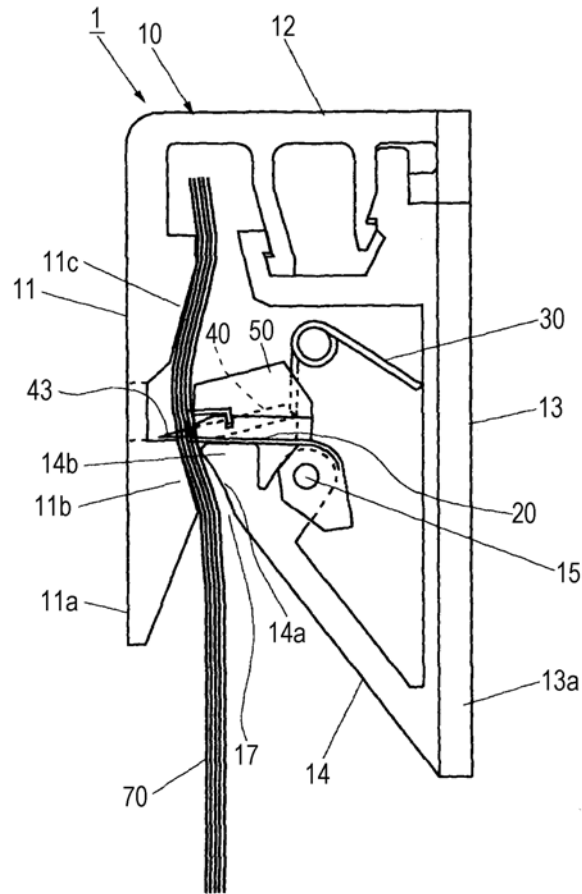


COMPLETE SPECIFICATION

GI TECHNOS INC.

TOTAL SHEETS: 7
CURRENT SHEET: 6

FIG. 9



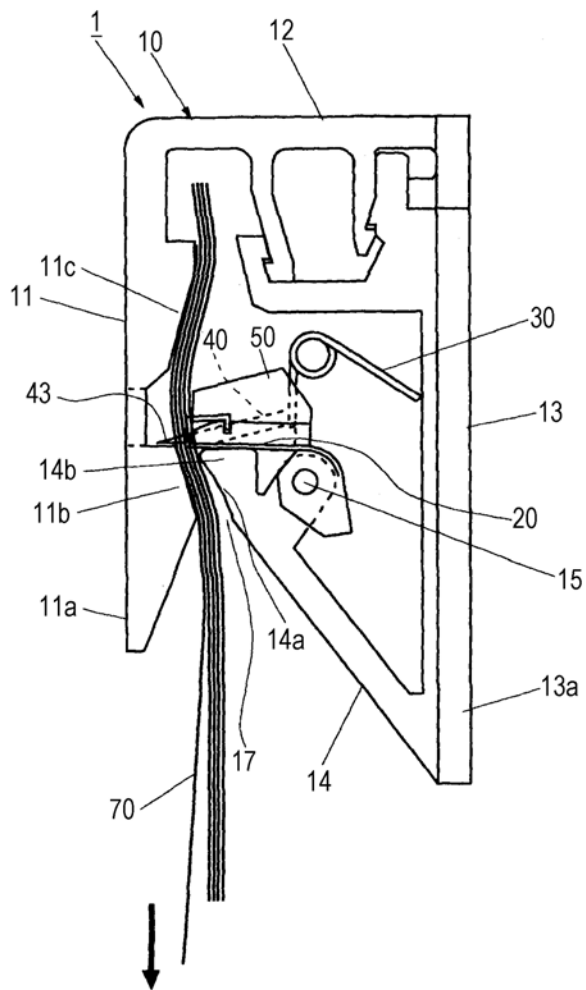
Dr. Rajeshkumar H. Acharya
Advocate & Patent Agent
For and on behalf of Applicant

COMPLETE SPECIFICATION

GI TECHNOS INC.

TOTAL SHEETS: 7
CURRENT SHEET: 7

FIG. 10



Dr. Rajeshkumar H. Acharya
Advocate & Patent Agent
For and on behalf of Applicant