



US00D346790S

United States Patent [19]

[11] Patent Number: **Des. 346,790**

Krehbiel

[45] Date of Patent: **** May 10, 1994**

[54] **WIRE DRESS COVER FOR AN ELECTRICAL CONNECTOR**

4,483,580 11/1984 Pelczarski 739/460
5,076,802 12/1991 Collieran et al. 439/468

[75] Inventor: **Fred L. Krehbiel, Chicago, Ill.**

Primary Examiner—Wallace R. Burke

[73] Assignee: **Molex Incorporated, Lisle, Ill.**

Assistant Examiner—J. Sincavage

[**] Term: **14 Years**

Attorney, Agent, or Firm—A. A. Tirva

[21] Appl. No.: **1,320**

[57] **CLAIM**

[22] Filed: **Nov. 10, 1992**

The ornamental design for a wire dress cover for an electrical connector, as shown and described.

[52] U.S. Cl. **D13/156**

DESCRIPTION

[58] Field of Search 439/460, 468, 521, 528,
439/892, 893, 901; D13/154, 156

FIG. 1 is a front, top and right side perspective view of a wire dress cover for an electrical connector showing my new design;

[56] References Cited

U.S. PATENT DOCUMENTS

4,130,330 12/1978 Chandler 439/460 X
4,203,643 5/1980 Krolak et al. 439/468
4,214,803 7/1980 McKee et al. 439/468

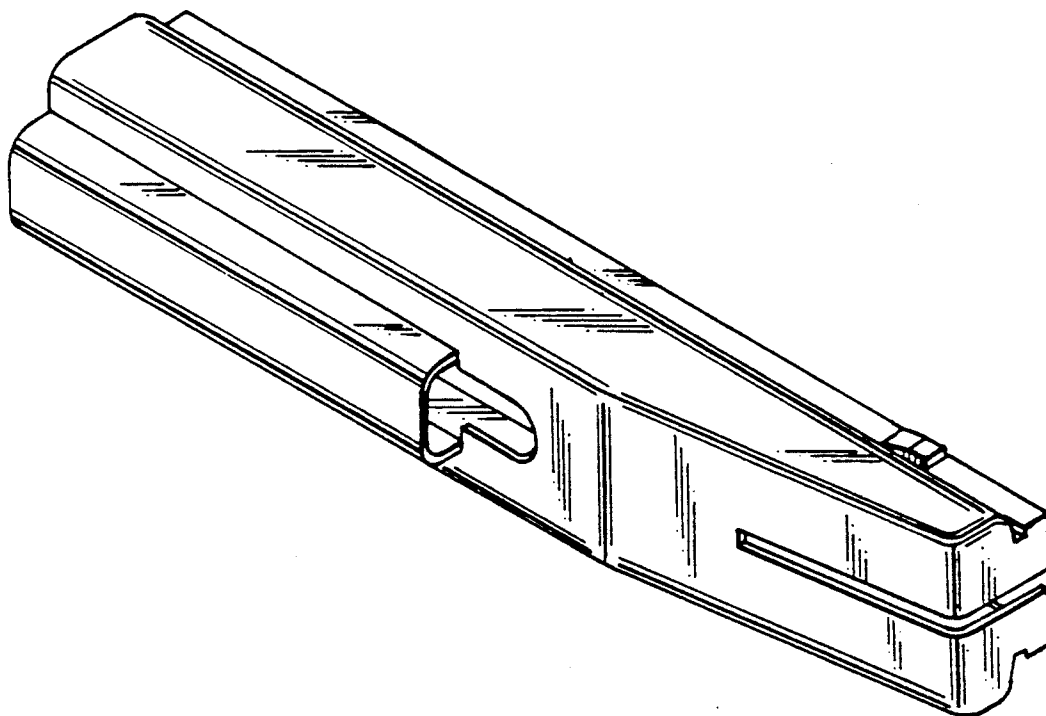
FIG. 2 is a top plan view thereof;

FIG. 3 is a left side elevational view thereof;

FIG. 4 is a bottom plan view thereof;

FIG. 5 is a rear elevational view thereof; and,

FIG. 6 is a front elevational view thereof.



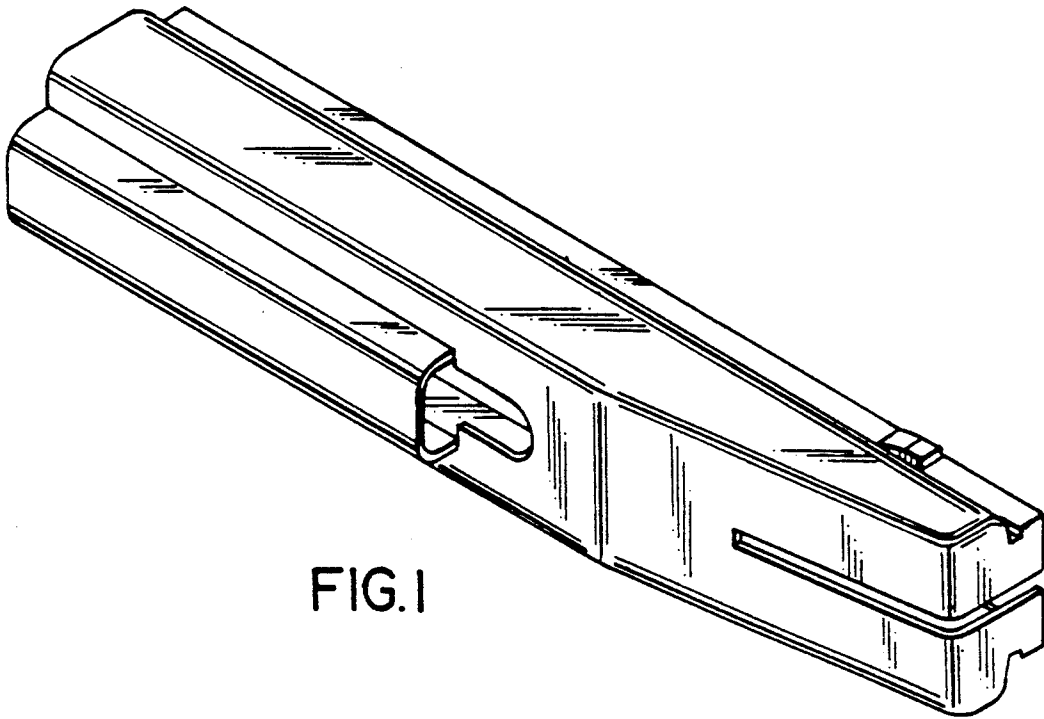


FIG. 1

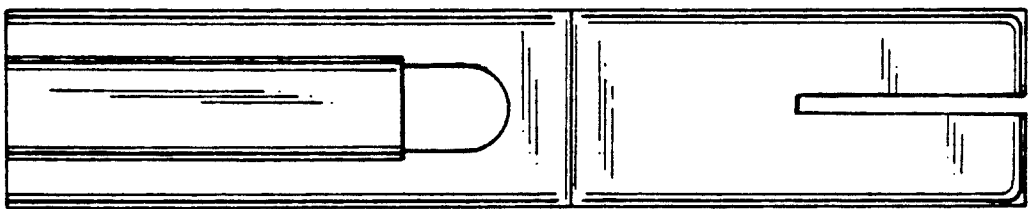


FIG. 2

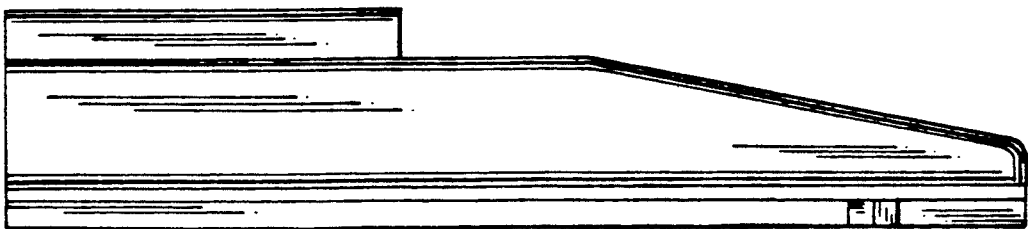


FIG. 3

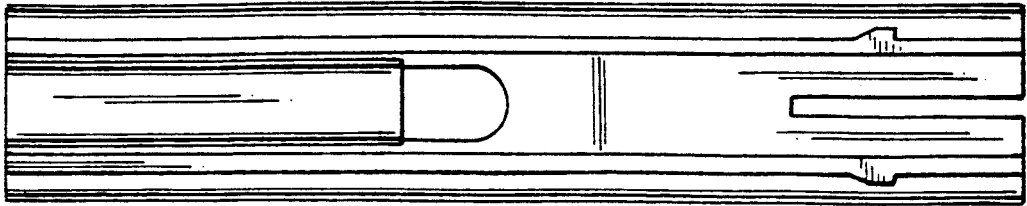


FIG. 4

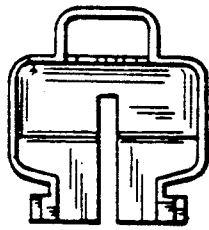


FIG. 5

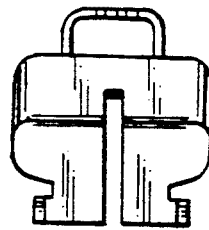


FIG. 6