

(19) World Intellectual Property Organization  
International Bureau



(43) International Publication Date  
6 August 2009 (06.08.2009)

PCT

(10) International Publication Number  
**WO 2009/096861 A1**

(51) International Patent Classification:

A61F 5/00 (2006.01) A61B 17/04 (2006.01)  
A61F 2/04 (2006.01)

(21) International Application Number:

PCT/SE2009/000046

(22) International Filing Date: 29 January 2009 (29.01.2009)

(25) Filing Language: English

(26) Publication Language: English

(30) Priority Data:

61/006,719 29 January 2008 (29.01.2008) US  
0802138-8 10 October 2008 (10.10.2008) SE

(71) Applicant (for all designated States except US): MILUX HOLDING SA [LU/LU]; 6 rue Guillaume Schneider, L-2522 Luxembourg (LU).

(72) Inventor; and

(75) Inventor/Applicant (for US only): FORSELL, Peter [SE/CH]; Aegeristrasse 66, CH-6300 Zug (CH).

(74) Agent: ESTREEN, Lars; Bergenstrahle & Lindvall AB, Box 17704, S-118 93 Stockholm (SE).

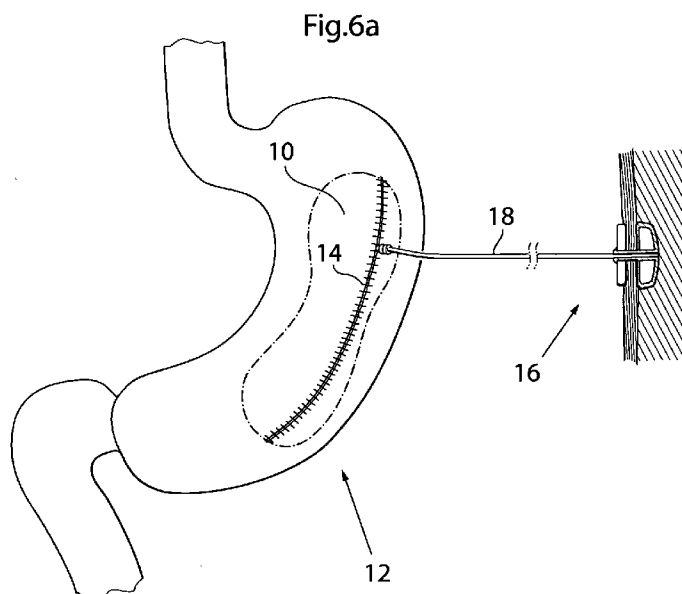
(81) Designated States (unless otherwise indicated, for every kind of national protection available): AE, AG, AL, AM, AO, AT, AU, AZ, BA, BB, BG, BH, BR, BW, BY, BZ, CA, CH, CN, CO, CR, CU, CZ, DE, DK, DM, DO, DZ, EC, EE, EG, ES, FI, GB, GD, GE, GH, GM, GT, HN, HR, HU, ID, IL, IN, IS, JP, KE, KG, KM, KN, KP, KR, KZ, LA, LC, LK, LR, LS, LT, LU, LY, MA, MD, ME, MG, MK, MN, MW, MX, MY, MZ, NA, NG, NI, NO, NZ, OM, PG, PH, PL, PT, RO, RS, RU, SC, SD, SE, SG, SK, SL, SM, ST, SV, SY, TJ, TM, TN, TR, TT, TZ, UA, UG, US, UZ, VC, VN, ZA, ZM, ZW.

(84) Designated States (unless otherwise indicated, for every kind of regional protection available): ARIPO (BW, GH, GM, KE, LS, MW, MZ, NA, SD, SL, SZ, TZ, UG, ZM, ZW), Eurasian (AM, AZ, BY, KG, KZ, MD, RU, TJ, TM), European (AT, BE, BG, CH, CY, CZ, DE, DK, EE, ES, FI, FR, GB, GR, HR, HU, IE, IS, IT, LT, LU, LV, MC, MK, MT, NL, NO, PL, PT, RO, SE, SI, SK, TR), OAPI (BF, BJ, CF, CG, CI, CM, GA, GN, GQ, GW, ML, MR, NE, SN, TD, TG).

Published:

- with international search report
- before the expiration of the time limit for amending the claims and to be republished in the event of receipt of amendments

(54) Title: METHODS AND INSTRUMENTS FOR TREATING OBESITY AND GASTROESOPHAGEAL REFLUX DISEASE



(57) Abstract: The invention relates surgical abdominal methods of treating obesity in a patient by implanting a volume filling device that, when implanted in a patient, reduces the food cavity in size by a volume substantially exceeding the volume of the volume filling device. Also disclosed is a laparoscopic instrument for providing a volume filling device to be invaginated in the stomach wall of a human patient to treat obesity.

WO 2009/096861 A1

METHODS AND INSTRUMENTS FOR TREATING OBESITY AND  
GASTROESOPHAGEAL REFLUX DISEASE

TECHNICAL FIELD

The present invention relates to an apparatus, a system, and a method for treating  
5 obesity.

BACKGROUND

Obesity has been treated by gastric banding a band placed around the stomach to  
create a stoma, a restricted opening, to restrict the flow of food down to below the  
band. There has also been tried to use electrical stimulation of the stomach wall to  
10 cause the patient to feel satiety.

When the stomach gets distended the patient gets a feeling that the stomach is full.

Another prior art way of treating obesity is to insert a balloon-like object into the  
stomach of the patient. In this way, the patient is given the feeling of satiety much  
more quickly when eating, preventing excessive intake of food. However, these prior  
15 art balloon-like objects are subject to stomach acids, leading to their destruction  
within a couple of months of use.

An example of a prior art inflatable gastric device for treating obesity is disclosed in  
US patent No. 4,246,893 to Berson. In this document, it is disclosed an abdominal  
method wherein an inflatable balloon is surgically implanted in the abdominal cavity  
20 of the patient adjacent to the stomach. An adjusting port is provided subcutaneously  
and the balloon is subsequently inflated by means of inserting a hypodermic needle  
through the skin of the patient into the adjusting port and introducing a fluid under  
pressure into the port for passage into the balloon to distend the upper abdomen,  
compressing the stomach and thereby producing a sense of satiety.

25 SUMMARY

The object of the present invention to provide obesity treatment apparatus, system  
and methods with improved long term properties.

This object and others are obtained by an apparatus described in the appended claims.

According to the invention there is provided an intraluminal method of treating obesity of a patient having a stomach with a food cavity by implanting a volume  
5 filling device to reduce the size of the food cavity, the method comprising the steps of: introducing an instrument into the esophagus and into the stomach of the patient, introducing the volume filling device into the stomach of the patient, and invaginating the volume filling device in a pouch of the stomach wall.

The method preferably comprises the steps of providing a pouch from part of the  
10 stomach wall for accommodating the volume filling device, and placing the volume filling device in the pouch.

The step of placing the volume filling device in the pouch preferably comprises the steps of inserting an inflatable volume filling device into the pouch in a deflated state, and inflating the deflated volume filling device to an inflated state, possibly  
15 also the step of connecting an inlet port for a fluid or gel of the volume filling device to a gastroscopic instrument.

In another embodiment, the step of placing the volume filling device in the pouch comprises the steps of injecting the volume filling device into the pouch as a fluid adapted to be transformed into solid state, and curing the fluid adapted to be  
20 transformed into solid state.

The step of invaginating the volume filling device may comprise the steps of lacing the volume filling device resting against part of the stomach wall, and providing a pouch from said part of the stomach wall for accommodating the volume filling device.

25 In one embodiment, the volume filling device may be enclosed in the pouch or alternatively it is admitted that the pouch being at least partly open.

The pouch may exhibit only one opening or two openings and to extend non-circumferentially around the stomach.

Preferably, the volume of the pouch is more than 15 milliliters.

In one embodiment, the method comprises inflating the stomach with gas.

The pouch may be provided in various ways, such as by generating vacuum.

The volume filling device is preferably invaginated in the pouch to the stomach wall  
5 by suturing or stapling, preferably stomach-to-stomach by means of an instrument.

This instrument may be integrated in a gastroscope or be a dedicated instrument.

The invagination may be repeated for a plurality of volume filling devices.

The volume filling device may also be inserted into the stomach as separate portions.

The volume filling device may be invaginated on the inside of the stomach wall or on  
10 the outside thereof. Thus, the step of invaginating the volume filling device may  
comprise providing a pouch from part of the stomach wall on the outside of the food  
cavity. The volume filling device may be placed on the inside of the stomach wall,  
preferably using an instrument.

Alternatively, when the volume filling device is invaginate on the outside of the  
15 stomach wall, the method comprises the steps of creating a hole in the stomach wall;  
introducing the volume filling device into the stomach by means of the instrument;  
moving the device through the hole and placing it on the outside of the stomach wall;  
creating a pouch of a portion of the stomach wall inside the stomach cavity, with the  
device placed against the outside of the stomach wall; invaginating the device in the  
20 pouch to the stomach wall; and sealing the hole, preferably with sutures or staples.

Yet an alternative method comprises the steps of: creating a hole in the stomach wall;  
creating, by means of said instrument, a pouch of a portion of the stomach wall on  
the inside of the stomach cavity; introducing the device into the stomach by means of  
the instrument; moving the device through the hole and placing it on the outside of  
25 the stomach wall; introducing the device by means of the instrument into the pouch;  
invaginating the device to the stomach wall; and sealing the hole, preferably with  
sutures or staples.

The volume filling device may be adjustable. Thus, the method may further comprise providing an apparatus for regulating the volume filling device from the outside of the patient's body; and operating said apparatus to regulate the volume filling device. This may be combined with changing the volume of the filling body when implanted.

- 5 An injection type syringe comprising a fluid for injection into an implanted filling body may be provided, by means of which fluid is injected into the volume filling body.

If fluid is to be injected into the volume filling body, the method may further comprise the steps of cutting the skin of the patient, inserting a tube into the abdominal cavity of the patient, connecting the tube to the volume filling device, and  
10 filling the volume filling device with fluid injected through the tube.

An injection port or adjustable fluid reservoir may be provided subcutaneously, to which the tube is connected. This adjustable fluid reservoir may be provided subcutaneously and the tube be connected to the adjustable fluid reservoir.

- 15 A tube may be connected to the volume filling device through the hole and further up to the abdominal wall or passing through the abdominal wall.

An abdominal method may comprise the steps of: cutting the skin of the patient, receiving the tube from the abdominal cavity of the patient, connected to the volume filling device, and filling the volume filling device with fluid injected through the  
20 tube, preferably in combination with subcutaneously placing an injection port, and connecting the tube to the injection port.

The invention also comprises 34. A gastroscopic instrument for placing a volume filling device outside a stomach wall portion of a patient, the volume filling device  
25 being expandable to an expanded state, wherein the instrument is adapted to provide a hole in the stomach wall portion, and to bring the volume filling device through the hole provided in the stomach wall portion so as to place the volume filling device outside the stomach wall portion.

Further, the instrument preferably comprises an inflation device for inflating the volume filling device before or after the suturing. Further still, the instrument preferably comprises a suturing device adapted to suture the opening of the tube-like portion with stomach to stomach sutures for creating at least partly a closed space enclosing the volume filling device, wherein the instrument is adapted to be  
5 withdrawn leaving the volume filling device at least partly invaginated in the stomach wall.

Said suturing device preferably comprises a first and second suture positioning member provided on the elongated member situated in the stomach at the distal end thereof, and wherein the instrument further comprises an operation device adapted to  
10 adjust the first and second suturing member in a position in which the first and second suture positioning members are in front of each other with the stomach wall on both sides of the open end of the cup like portion, and adapted to suture the open end of the cup like portion of the wall with a row of stomach to stomach sutures.

15 Preferably said suturing device comprises an operable re-loadable multi-suturing device, which is reloadable with sutures from outside of the patient's body and which is adapted to suture the open end of the cup like portion of the wall with said row of stomach to stomach sutures, wherein the row of sutures comprises two or more sutures or staples to be sutured simultaneously.

20 More preferably, said suturing device comprises multiple sutures for suturing two or more sutures simultaneously.

Another embodiment of an instrument comprise laparoscopic instrument for implanting a volume filling device in a human patient to treat obesity, the instrument comprising:

25 - an elongated member having a proximal end and a distal end, the elongated member being adapted to be introduced into the patients abdomen during a laparoscopic operation by means of a laparoscopic trocar,

- a stomach pushing device adapted to create a recess in the stomach wall, the pushing device being adapted to place a volume filling device in the recess for subsequent invagination in the stomach wall.

Preferable the elongated member has a diameter of less than 30 millimeters.

5 The stomach pushing device may comprise a mechanical device or a vacuum sucking device adapted to suck the stomach wall to form the recess in the stomach wall, wherein the vacuum sucking device comprises a vacuum passageway leading from the proximal to the distal end of the instrument and at the end portion of the instrument.

10 In one embodiment the vacuum passageway exhibits a plurality of openings adapted to suck the stomach wall portion so that it adheres to the pushing device.

Furthermore the instrument may include an insertion device adapted to introduce the volume filling device into the recess.

15 Furthermore the instrument may include at least one clamping device for holding an opening of the recess substantially closed by clamping together portions of the stomach wall in said opening,

wherein the instrument is adapted to place the at least one clamping device at the opening of the recess to allow subsequent suturing of the opening.

20 Preferable the instrument comprises an inflation device for inflating the volume filling device when it has been placed in the recess.

In one embodiment the instrument further comprising a suturing device adapted to suture the opening of the recess with stomach to stomach sutures for creating at least partly a closed space enclosing the volume filling device, wherein the suturing device preferable comprises multiple sutures for simultaneous suturing of two or more  
25 sutures, wherein the instrument is adapted to be withdrawn leaving the volume filling device at least partly invaginated in the stomach wall.

The instrument may include in the suturing device a first and a second suture positioning member provided on the elongated member at the distal end thereof, and

- an operation device adapted to adjust the first and second suturing members in a position in which the first and second suture positioning members are in front of each other with the stomach wall on both sides of the open end of the cup like portion, and adapted to suture the open end of the cup like portion of the stomach wall with a row of stomach to stomach sutures, wherein the suturing device preferable comprises a reloading device adapted to reload the suturing device from outside the patient's body.

The instrument is preferable suturing an open end of a cup like portion of a stomach wall with a row of stomach to stomach sutures.

#### BRIEF DESCRIPTION OF THE DRAWINGS

The present invention will now be described in more detail by way of non-limiting examples and with reference to the accompanying drawings, in which:

Fig. 1 is an overall view of a patient showing the outlines of the stomach,

Fig. 2a is a view of a first embodiment of an apparatus for treating obesity implanted in a human patient,

Fig. 2b is a sectional view taken along line IIb - IIb of Fig. 2a,

Figs. 3a-k, 3m, 3n, 3p show different shapes and features of a volume filling device comprised in

an apparatus according to the invention,

Figs. 4a-d show a deflated inflatable volume filling device comprised in an apparatus according to the invention and an instrument for placing the volume filling device,

Figs. 5a-i illustrate different steps of invaginating the inflatable device of Fig. 4a on the outside of a stomach wall of a patient,

Figs. 6-8 show alternative embodiments wherein the volume filling device is adapted to be non-invasively adjustable postoperatively,

Figs. 9 and 10 show embodiments wherein the volume filling device is adapted to be invaginated in the fundus region of the patient's stomach,

Fig. 11 shows an embodiment wherein the volume filling device is also adapted to treat reflux,

- 5 Fig. 12 show an embodiment wherein the volume filling device adapted also for treating reflux is combined with stretching devices for stretching part of the stomach fundus wall,

Figs. 13-16 show alternative embodiments wherein a combination of a volume filling device and a stretching device is used,

- 10 Figs. 17a and 17b show an embodiment wherein the volume filling device is provided on the inside of the stomach wall,

Figs. 18a-i illustrate different steps of invaginating the inflatable device of Fig. 4a on the inside of a stomach wall of a patient,

- 15 Figs. 19a-j illustrate different steps of invaginating the inflatable device of Fig. 4a on the inside of a stomach wall of a patient,

Figs. 20a-f illustrate different steps of invaginating the inflatable device of Fig. 4a on the inside of a stomach wall of a patient,

Figs. 21a and 21b

- 20 Fig. 22 is an overall view of a patient with an implanted apparatus for treating obesity,

Figs. 23-41 show various ways of powering an apparatus for treating obesity implanted in a human patient,

Figs. 42-47 show various ways of arranging hydraulic or pneumatic powering of an apparatus for treating obesity implanted in a human patient,

- 25 Fig. 48 illustrate the invagination of a plurality volume filling devices, and

Figs. 49a 49b illustrate an abdominal method.

#### DETAILED DESCRIPTION OF PREFERRED EMBODIMENTS

Preferred embodiments of the invention will now be described in detail with reference to the drawing figures.

- 5 Fig. 1 shows a human patient 1, who is being treated for obesity. A volume filling device 10 is provided so that it reduces the inner volume of the stomach 12 – the food cavity of the stomach, thereby affecting the patient's appetite. The function and the operation of this volume filling device will be described and explained in detail in the following description.
- 10 Figs. 2a and 2b show in detail a first embodiment of an apparatus to treat obesity according to the invention, wherein Fig. 2a show a side view of the stomach while Fig. 2b is a sectional view taken along line IIb – IIb of Fig 2a. The apparatus comprises a volume filling device 10 implanted in a human patient. More specifically, in the embodiment of Fig. 2a the volume filling device 10 is invaginated
- 15 in the wall 12a of the patient's stomach 12 on the outside of the stomach wall. The body of the volume filling device 10 is elongated and shaped to rest against the wall 12a of the stomach 12 and further has an outer surface suitable to rest against this wall.

By invaginating the volume filling device 10 in part of the stomach wall, the size of

20 the food cavity, generally designated 12b in Fig. 2b, will be reduced, resulting in a more rapid feeling of satiety after food intake.

The volume filling device 10 preferably comprises an elastic material, such as silicone. In this way, the volume filling device can adapt to the movements of the stomach, the degree of food intake etc.

- 25 By providing the volume filling device from a bio-compatible material, the risk of the patient's body rejecting the implant is to a very large extent reduced.

The volume filling device 10 can be fixed to the wall 12a of the stomach 12 in a number of different ways. In the embodiment shown in Fig. 2b, the volume filling

device 10 is invaginated in the stomach wall 12a. After invagination, a number of stomach-to-stomach sutures or staples 14 are applied to keep the invagination in the short term. This allows growth of human tissue, keeping the invagination in the long term.

5 The volume filling device 10 preferably has an essentially round shape to not damage the stomach wall. An example thereof is shown in Fig. 3a, wherein the volume filling device is essentially egg-shaped. In another preferred embodiment, the volume filling device is slightly bent, such as the embodiment shown in Fig. 3b. However, since the stomach wall is strong many different shapes, forms, and dimensions may be used. In  
10 one embodiment, the volume filling device has a diameter of about 40 millimeters and a length of about 120 millimeters, resulting in a volume that is about half the volume of the patient's stomach. However, it is preferred that the maximum circumference of the volume filling device is at least 30 millimeters, more preferably at least 50 millimeters, and even more preferably at least 80 millimeters.

15 It is not necessary that the volume filling device is elongated. In the embodiment shown in Fig. 3c, the volume filling device 10 is essentially spherical or ball-shaped. In order to fill out the stomach, two or more such volume filling devices may be combined to achieve the desired decrease of the food cavity of the patient's stomach.

It has been mentioned that the volume filling device is secured by the stomach-to-  
20 stomach sutures or staples. In order to further improve the fixation, the volume filling device may be provided with a waist portion having smaller diameter than the maximum diameter of the volume filling device. Such volume filling device having a waist portion 10a is shown in Fig. 3d.

The volume filling device 10 may consist of at least two interconnectable portions so  
25 that each portion is easier to insert into the stomach and further through a hole in the stomach wall. Thus, Fig. 3e shows a volume filling device comprising two more or less spherical sub-parts 10b, 10c interconnected by a portion with which preferably has smaller diameter. The portion with smaller diameter may comprise an interconnection means with a reversible function allowing subsequent disconnection  
30 of the two interconnected sub-parts 10b, 10c. Such means may comprise a bayonet

socket, a screw connection or the like, designated 10d in the figure. Alternatively, the portion with smaller diameter may comprise a fixed interconnection, such as resilient locking hooks provided on one of the sub-parts 10b, 10c and engaging the rim of a hole provided in the other one of the sub-parts 10b, 10c.

- 5 The configuration of the volume filling device 10 is not limited to one waist portion 10a. Thus, in Fig. 3f a volume filling device with two waist portions is shown.

In order to facilitate positioning of the volume filling device, an attachment means in the form of a handle or the like may be provided on the outer surface of the volume filling device. One example thereof is shown in Fig. 3g, wherein also a detail view of  
10 a handle 10e is shown. In a preferred embodiment, the attachment means is provide at an end portion of the volume filling device 10. In order to avoid protruding portion on the surface of the volume filling device 10, the handle 10e is provided flush with the outer surface of the volume filling device 10 and a recess 10f is arranged to allow a gripping tool or instrument (not shown in Fig. 3g) to achieve firm gripping around  
15 the handle 10e.

The volume filling device may comprise a tube for filling or emptying the volume filling device of a fluid or gel. By injecting fluid or gel into the volume filling device 10, the volume filling device is inflated to an inflated state, as will be described below. The size of the volume filling device can also be adjusted by moving fluid or  
20 gel therefrom to a different reservoir.

A volume filling device 10 adapted for this is shown in Fig. 3h. A tube 10g is fixedly attached to the volume filling device. This tube can be attached to a suitable instrument (not shown) or an injection port, which will be explained in detail below.

Instead of having a fixedly attached tube, the volume filling device 10 may comprise  
25 an inlet port 10h adapted for connection of a separate tube (not shown in this figure).

It is important that the implanted volume filling device is firmly kept in place in the stomach wall in which it is invaginated. To this end, the volume filling device can be provided with one or more through holes adapted for receiving sutures or staples used for fixation of the invagination. Such an embodiment is shown in Fig. 3j, where

the volume filling device 10 is provided with a row of holes 10i provided on a protruding flange-like protrusion on the volume filling device. In this embodiment, the row of holes extend along the longitudinal axis of the volume filling device.

Fig. 3k illustrates how sutures 14 are provided so that they run through the stomach wall 12a and through the holes 10i. In this way, the volume filling device is fixed in place in the pouch created from the stomach wall and will thus be prevented from sliding.

Although a plurality of holes is illustrated in the Fig. 3j, it will be appreciated that one single hole is sufficient to obtain improved fixation of the volume filling device 10.

Fig. 3m illustrates a volume filling device provided with an inlet port 10h. The volume filling device is invaginated in the stomach wall and the inlet port 10h is available for connection to a tube or the like from the abdominal area of the patient.

Fig. 3n illustrates an invaginated volume filling device wherein, instead of an inlet port, a fixed tube 10g extends into the abdominal area of the patient.

Fig. 3p is a figure similar to Fig. 3m but also illustrating tunneling of a connection tube 10g in the stomach wall between the inlet port 10h and the volume filling device 10.

It has been shown that the shape of the volume filling device can take many different forms. It will be appreciated that also the material of the volume filling device can vary. It is preferred that the volume filling device is provided with a coating, such as a Parylene, polytetrafluoroethylene (PTFE), or polyurethane coating, or a combination of such coatings, i.e., a multi-layer coating. This coating or multi-layer coating improves the properties of the volume filling device, such as its resistance to wear.

In one embodiment, the volume filling device comprises an inflatable device expandable to an expanded state. In this case, the inflatable device is provided with

an inlet port for a fluid and is adapted to be connected to a gastroscopic instrument. This embodiment will now be described in detail with reference to Figs. 4a-4d.

An inflatable volume filling device in its non-expanded state is shown in Fig. 4a. It is essentially a balloon-like, deflated device 10 having an inlet port 10h. In this state,  
5 the inflatable device has a diameter of a few millimeters at the most, allowing it to be inserted into the stomach through the esophagus of the patient by means of a gastroscopic, tube-like instrument 600, depicted in figure 4b. The instrument comprises an outer sleeve 600a and an inner sleeve 600b which can be displaced longitudinally relatively to the outer sleeve. The inner sleeve is provided with a  
10 cutter in the form of a cutting edge 615 at the distal end thereof. This cutting edge can be used for cutting a hole in the stomach wall, as will be explained in detail in the following.

When the instrument reaches a stomach wall, see Fig. 4c, the inner sleeve is brought forward from its position in the outer sleeve and into contact with the stomach wall  
15 12a. The cutting edge 615 of the inner sleeve then cuts a hole in the stomach wall so as to allow subsequent insertion of the volume filling device 10 into and through this hole, see Fig. 4d. In order to push the volume filling device through the hole, a piston 602 may be provided in the instrument. Thus, the instrument further comprises a  
20 piston 602 adapted for pushing a deflated volume filling device 10 out from a position in the inner sleeve, this position being shown in Fig. 4b, to a position outside of the inner sleeve, this being shown in Fig. 4d.

In order to protect the deflated volume filling device 10 from the cutting edge 615 of the inner sleeve, a further protective sleeve (not shown) can be provided around the volume filling device.

25 An intraluminal method of invaginating a volume filling device 10 on the outside of the stomach wall 12a will now be described with reference to Figs. 5a-i. Initially, an instrument 600, preferably a gastroscopic instrument, is inserted into the mouth of the patient, see Fig. 5a. The instrument comprises an injection device 601, 602 for injecting either fluid or a device into the stomach of the patient. The instrument 600  
30 further comprises a control unit 606 adapted for controlling the operation of the

instrument. To this end, the control unit 606 comprises one or more steering devices, in the embodiment shown in the figure in the form of two joysticks 603 and two control buttons 604. A display 605 is provided for displaying the image provided by an optical device for viewing inside the stomach, such as a camera (not shown) arranged at the outer end of the elongated member 607, see Figs. 5e-i. The camera, which may comprise connecting electrical wires extending along the elongated member, may be assisted by a light source (not shown) placed distally on the elongated member for illuminating the inside of the stomach. The optical device may also comprise optical fibers placed along the elongated member and leading out from the patient's body for external viewing of the inside of the stomach.

The instrument is further inserted into the esophagus and into the stomach of the patient, see Fig. 5b. By means of the instrument 600, a hole 12b is created in the wall of the stomach 12, . To this end, the instrument is provided with one or more cutters 615 at the distal end thereof, for example in the way described above with reference to Figs. 4a-d. These cutters can of course be designed in different ways, such as a toothed drum cutter rotating about the center axis of the tube-like instrument.

After cutting a hole in the stomach wall, the distal end of the instrument 600 is inserted into and through the hole 12b so that it ends up outside the stomach wall 12a. This is shown in Fig. 5c, showing a side view of the stomach 12, and Fig. 5d, which is a sectional view through the stomach of Fig. 5c taken along the lines Vd – Vd.

The instrument 600 is adapted to create a “pocket” or “pouch” on the outside of the stomach 12 around the hole 12b in the stomach wall. Such an instrument and the method of providing the pouch will now be described.

Figs. 5e-i show a gastroscopic or laparoscopic instrument for invaginating a volume filling device 10 in the stomach wall 12a of the patient by creating a pouch of stomach wall 12a material in which the volume filling device is placed. The instrument, generally designated 600, and which may comprise the features described above with reference to Figs. 4a-d, comprises an elongated member 607 having a proximal end and a distal end, the elongated member 607 having a diameter

less than that of the patient's esophagus and being flexible such as to allow introduction of the flexible elongated member 607 with its distal end first through the patient's throat, esophagus and into the stomach 12 to the stomach wall 12a.

The stomach penetration device or cutter 615 is provided on the elongated member  
5 607 at the distal end thereof for penetrating the stomach wall 12a so as to create a hole in the stomach wall 12a, to allow introduction of the elongated member 607 through the hole. The stomach penetration device 615 could be adapted to be operable for retracting said stomach penetration device 615 after the stomach fundus wall 12a has been penetrated, for not further damaging tissue within the body. The instrument  
10 further comprises a special holding device 609 provided on the elongated member 607 on the proximal side to the penetration device 615.

The elongated member further comprises an expandable member 611 which is adapted to be expanded after the elongated member has penetrated the stomach wall 12a and thereby assist in the creation of a cavity or pouch adapted to hold the volume  
15 filling device 610. The expandable member 611 may comprise an inflatable circular balloon provided circumferentially around the distal end portion of the flexible elongated member 607.

The method steps when invaginating the volume filling device will now be described in detail. After the instrument 600 has been inserted into the stomach 12, the stomach  
20 penetration device 615 is placed into contact with the stomach wall 12a, see Fig. 5e. The stomach penetration device or cutter 615 is then brought to create the hole 12b in the stomach wall, whereafter at least the expandable member 611 is brought through the hole 12b in the stomach wall. The special holding device 609 is in this step brought to a holding state wherein it expands radially so as to form an essentially  
25 circular abutment surface to the stomach wall 12a, see Fig. 5f. In this way, the insertion of the stomach penetration device 615 and the expandable member 611 through the hole 12a in the stomach wall is limited to the position shown in Fig. 5f.

The expandable member 611 is then expanded. In the case the expandable member comprises a balloon or the like, air or other fluid is injected into it.

The part of the elongated member 607 comprising the expandable member 611 is then retracted in the proximal direction, as indicated by the arrow in Fig. 5g, thereby pulling the stomach wall 612 into a basket or cup like structure created by the special holding device 609.

- 5 A suturing or stapling device 608 is further provided, either as a device connected to the elongated member 607 or as a separate instrument. The suturing or stapling member comprises a suturing or stapling end 613 which is adapted to close the cavity or pouch by means of stomach to stomach sutures or staples 14.

In a further step, illustrated in Fig. 5h, an inflatable volume filling device 10 is  
10 placed in its deflated state in the cup like structure. The volume filling device 10 is then inflated to its inflated or expanded state, see Fig. 5i. This inflation of the volume filling device 10 can be accomplished by injecting a fluid or a gel into the deflated volume filling device. It can also be accomplished by injecting a material which is allowed to cure, thereby forming a solid device 10. Thus, the volume filling device  
15 10 shown in Figs. 5h and 5i can illustrate either a balloon-like device which is subsequently filled with fluid or gel or alternatively a material which is simply injected into the cup like structure formed by the stomach wall 12a.

The fluid which is used to fill the volume filling device 10 could be any suitable fluid suitable to fill the inflatable device 10, such as a salt solution. In another  
20 embodiment, when this fluid is a fluid which is adapted to be transformed into solid state, the fluid could be liquid polyurethane.

In order to minimize or entirely eliminate leakage, the fluid is iso-tonic, i.e., it has the same osmolarity as human body fluids. Another way of preventing diffusion is to provide a fluid which comprises large molecules, such as iodine molecules, having a  
25 size of at least ???.

The stomach-to-stomach sutures or staples are preferably provided with fixation portions exhibiting a structure, such as a net like structure, adapted to be in contact with the stomach wall to promote growth in of human tissue to secure the long term placement of the volume filling device attached to the stomach wall.

After the inflatable device 10 has been inflated, partly or fully, the inlet port 10b (not shown in Figs. 5h and 5i) of the volume filling device 10, is sealed and the instrument 600 is retracted from the hole 12b, which is subsequently closed in some suitable way, such as by means of the instrument 600. The instrument is then  
5 removed from the stomach 600 and the inflatable device 10 in its inflated or expanded state is invaginated by a stomach wall portion of the patient on the outside of the stomach wall. This reduces the inner volume of the stomach, thereby affecting the patient's appetite.

During one or more of the above described steps, the stomach may be inflated with  
10 gas, preferably by means of the gastroscopic instrument.

The volume filling device 10 described above with reference to Figs. 5a-i has been described as an inflatable volume filling device. It will be appreciated that it also can be an elastic volume filling device with an elasticity allowing compression so as to be inserted into a gastroscopic instrument and which expands to an expanded state  
15 after leaving the instrument.

An alternative embodiment of an apparatus for treating obesity will now be described with reference to Figs. 6a and 6b, showing a sectional view of a stomach in which a volume filling device is invaginated in the stomach wall on the outside thereof together with a system for regulating the size of the volume filling device. The  
20 volume filling device is an inflatable device as described above with reference to Figs. 5a-h and thus comprises a fluid. The inflatable device 10 thus forms a fluid chamber, in which fluid is allowed to flow. The inflatable device thereby forms an expandable chamber that can change the volume it occupies in the stomach wall, thereby forming a hydraulically or pneumatically regulated inflatable device.

25 In Fig. 6a, an injection port 16 for fluids is connected to the inflatable volume filling device 10 by means of a conduit 18 in the form of a tube. The inflatable device 10 is thereby adapted to be regulated, preferably non-invasively, by moving liquid or air from the injection port 16 to the chamber formed by the inflatable device. By using a hypodermic needle or the like, the amount of fluid in the inflatable device 10 can

thus be adjusted, thereby adjusting the size of the adjustable device. The injection port 16 can also be used simply for refilling the volume filling device 10.

The regulation reservoir 17 can be regulated in several ways. In an alternative embodiment, the regulation reservoir 17 is regulated by manually pressing a regulation reservoir. In other words, the regulation reservoir is regulated by moving a wall of the reservoir. It is then preferred that the regulation reservoir is placed subcutaneously and non-invasive regulation is thereby achieved.

A similar embodiment is shown in Fig. 6b. However, in this embodiment the injection port 16 has been replaced by an adjustable regulation reservoir 17 in fluid connecting with the volume filling device 10 via a tube 18. When the regulation reservoir 17 is pressed, the volume thereof decreases and hydraulic fluid is moved from the reservoir to the chamber formed by the inflatable device 10 via the conduit or tube 18, enlarging or expanding the inflatable device 10. In this way, the volume filling device is non-invasively adjustable postoperatively.

It will be appreciated that instead of hydraulic operation, pneumatic operation can be used, wherein air instead of hydraulic fluid is moved between the regulation reservoir and the chamber formed by the inflatable device 10. Preferable the regulation reservoir has a locking position to keep it in the desired position. If the patient compresses the reservoir it preferably stays compressed and releases after pressing again.

Any kind of hydraulic solution may be used for the inflatable device. The hydraulic solution may be driven by both mechanically and be powered with any motor or pump as well as manually.

In another embodiment, shown in Fig. 7, a motor 40 is adapted to move a wall of the regulation reservoir 17. The powered regulation reservoir 17 is then preferably placed in the abdomen of the patient. In this embodiment, a wireless external remote control unit forming part of the external energy transmission device 34 can be provided to perform non-invasive regulation of the motor via an energy transforming

device 30, which is adapted to supply an energy consuming operation device, in the present example the motor 40, with energy via a power supply line 32.

The remote control may comprise a wireless energy transmitter, whereby the non-invasive regulation is performed by the energy transmitter. When the regulation is performed by means of a remote control an internal power source for powering the  
5 regulating device is provided. The internal energy source can for example be a chargeable implanted battery or a capacitor or a device for receiving wireless energy transmitted from outside the body of the patient. Different ways of regulating the inflatable device 10 will be described below with reference to Figs.22-41.

10 In yet an alternative embodiment, shown in Fig.8, the apparatus for treating obesity comprises a pump 44, wherein the reservoir is regulated by the pump 44 pumping fluid or air from the reservoir to the chamber formed by the inflatable device. Different configurations of this pump will be described below with reference to Figs 22-41.

15 Yet an alternative embodiment of an apparatus for treating obesity will now be described with reference to Fig. 9, which shows a stomach 12 of a patient who is treated for obesity. This embodiment is similar to the one described above with reference to Fig. 7 and the apparatus comprises a volume filling device in the form of an inflatable device 10 which is invaginated in the wall 12a of the patient's stomach  
20 12. However, in this case the invagination has been performed in the fundus, i.e., the upper portion of the stomach, where the number of receptors in the stomach wall is large, and the inflatable device functions as a stretching device for part of the stomach fundus wall.

A regulation reservoir 17 for fluids is connected to the inflatable device by means of  
25 a conduit 18 in the form of a tube. The inflatable device 10 is thereby adapted to be regulated, preferably non-invasively, by moving liquid or air from the regulation reservoir 17 to the chamber formed by the inflatable device 10. The regulation of the inflatable device 10 preferably comprises a reversed servo, i.e., a small volume is actuated for example by the patient's finger and this small volume is in connection  
30 with a larger volume, i.e., the regulation reservoir 17.

Thus, the inflatable device 10 is placed outside the stomach wall and is adapted to stretch a part of the stomach fundus wall, thereby affecting the patient's appetite. By enlarging the size of the stretching device, the stomach fundus wall 12a surrounding the inflatable stretching device 10 is stretched since the circumference of the  
5 inflatable stretching device 10 is increased. By this stretching, the receptors in the stomach wall indicate that the stomach is full, thereby creating a feeling of satiety to the patient. Correspondingly, when the stretching device 10 is contracted, the receptors indicate that the stomach is not full, thereby returning the feeling of hunger. It will be appreciated that this embodiment combines the effects of both reducing the  
10 volume of the stomach food cavity and stretching part of the stomach wall, thereby increasing the treatment effect.

The expansion and contraction of the stretching device 10 can be performed under direct control of the patient. Alternatively, the expansion and contraction can be performed according to a pre-programmed schedule.

15 In a preferred embodiment, shown in Fig. 10, a sensor 19 is provided at a suitable position, such as at the esophagus. The volume filling device 10 in the form of the inflatable stretching device is similar to the one shown in Fig. 9. By providing one or more sensors, the apparatus for treating obesity can be automated in that the size of the volume filling device 10 in the form of the inflatable stretching device is adjusted  
20 depending on the amount of food entering the food cavity of the stomach. The fluid is thereby moved between the inflatable volume filling device 10 and a fluid reservoir 15.

The apparatus for treating obesity can have the additional functionality of treating reflux. An embodiment having this function is shown in Fig. 11, wherein the volume  
25 filling device 10 is invaginated in the stomach wall close to and at least partially above the patient's cardia 26 when the patient is in a standing position and is fixed to a position above the cardia area 26 by a fixation, such as sutures or staples 14a. For example a direct or indirect fixation to the diaphragm muscle or associated muscles may be provided. As an alternative a direct or indirect fixation to the esophagus  
30 above and close to the angle of His can be provided. In this alternative embodiment, the volume filling device 10 rests in a position against stomach wall of the fundus

when implanted and which also fills a volume above the cardia area 26 between the cardia and the diaphragm muscle so that the cardia is prevented from slipping up into the thorax cavity, whereby reflux disease is prevented.

Such a volume filling device 10 may be used for keeping electronics and/or an energy source and/or hydraulic fluid. Hydraulic fluid from that device may be distributed to several smaller inflatable device areas to vary the stretching area from time to time avoiding any possible more permanent stretching effect of the stomach wall. Even mechanically several stretching areas may be used.

In an alternative embodiment, which is shown in Fig. 12, the volume of an inflatable volume filling device 10 may be in fluid connection with one or more preferably smaller inflatable devices or chambers 50. These chambers are adapted to communicate with fluid or air being moved between the chambers.

Thus, the large chamber 10 is adapted to, with its main volume to be a volume filling device for reducing the size of the food cavity and for treating reflux disease and the one or several small chambers are adapted to function as the inflatable devices to treat obesity, wherein the main chamber is adapted to communicate with fluid or air to the small chambers causing a stretching effect in the stomach wall thereby further treating obesity.

In Figs. 13-16, different embodiments embodying a combination of a volume filling device invaginated in the central or lower portion of the stomach and a stretching device invaginated in the upper portion or fundus of the patient's stomach. Thus, in Fig. 13 there is shown an adjustable volume filling device 10, which is invaginated in the stomach wall of a patient's stomach 12. Additionally, an adjustable stretching device 50 with the previously described function is invaginated in the stomach fundus wall of the patient. It is preferred that the volume filling device 10 is substantially larger than the stretching device 50.

The volume filling device 10 and the stretching device 50 are in fluid communication with each other via a fluid communication device comprising a first fluid tube 52, in which a pump 54 is provided. The pump 54 is under the control from an energy

transforming device 30, which is adapted to supply the pump 50 with energy via a power supply line 56. The energy transforming device 30 is also connected to a sensor 19 provided in the esophagus of the patient so that food intake can be detected.

- 5 The volume filling device 10 and the stretching device 50 are also in fluid communication with each other via a second fluid tube 58, which preferably has a smaller cross-sectional area than the first fluid tube 52.

The operation of this arrangement is as follows. The volume filling device 10 functions as in the above described embodiments, i.e., it reduces the size of the food  
10 cavity of the patient's stomach 12. Additionally, when the stretching device 50 is enlarged by pumping fluid from the volume filling device 10 and to the stretching device 50 by means of the pump 54, the stomach fundus wall is stretched, creating a feeling of satiety for the patient. Thus, for example when food intake is detected by means of the sensor 19, fluid is automatically pumped into the stretching device 50 to  
15 increase the feeling of satiety and thereby limit the food intake.

When fluid has been injected into the stretching device 50, the internal pressure therein is higher than the internal pressure in the volume filling device 10. This difference in pressure will create a flow of fluid in the second, preferably narrower tube 58 from the stretching device 50 to the volume filling device 10. The flow rate  
20 will be determined by among other things the difference in pressure and the cross-sectional area of the second tube 58. It is preferred that the second tube is so dimensioned, that the pressures in the volume filling device 10 and the stretching device 50 will return to equilibrium after 3 hours after fluid has been injected into the stretching device 50 to create the feeling of satiety.

- 25 In this embodiment, the function of the second tube 58 is to allow fluid to return from the stretching device 50 to the volume filling device 10. It will be appreciated that this function also can be performed by the pump 54 in the first tube 52 and that the second tube 58 then can be omitted.

Fig. 14 illustrates an embodiment similar to the one illustrated in Fig. 13. Thus, there is provided an adjustable volume filling device 10, which is invaginated in the stomach wall of a patient's stomach 12. Additionally, an adjustable stretching device 50 with the previously described function is invaginated in the stomach fundus wall of the patient. It is preferred that the volume filling device 10 is substantially larger than the stretching device 50.

The volume filling device 10 and the stretching device 50 are in fluid communication with each other via a first fluid tube 52, and a second fluid tube, which preferably has a smaller cross-sectional area than the first tube. However, instead of a pump, there is provided a non-return valve 60 in the first fluid tube 52 instead of an energized pump. This non-return valve 60 allows fluid to flow in the direction from the volume filling device 10 and to the stretching device 10 but not vice versa. This means that this embodiment may be entirely non-energized. Instead, it operates according to the following principles.

When the food cavity of the stomach 12 is essentially empty, there is a state of equilibrium between the internal pressure of the volume filling device 10 and the stretching device 50. In this state, the stretching device is in a non-stretch state, i.e., it does not stretch a part of the stomach fundus wall and thus does not create a feeling of satiety.

When the patient starts to eat, food will enter the food cavity of the stomach 12. This will create increased pressure on the stomach wall in which the volume filling device 10 is invaginated and the internal pressure therein will increase. Also, the stomach wall muscles will begin to process the food in the food cavity by contraction, which also contributes to an increased internal pressure in the volume filling device 10.

Since the internal pressure in the stretching device 50 will remain essentially unchanged, because it is located in the upper part of the stomach 12 where no food is exerting a pressure on the stomach wall, a fluid flow will be created through the first and second fluid tubes 52, 58 in the direction from the volume filling device 10 and to the stretching device 50. This in turn will increase the volume of the stretching

device 50, which, by stretching the stomach fundus wall, will provide a feeling of satiety to the patient.

A fluid flow from the stretching device 50 to the volume filling device 10 through the second tube 58 will return the pressure of these devices to equilibrium as  
5 described above with reference to Fig. 13.

Fig. 15 illustrates an embodiment, which is similar to the one shown in Fig. 14 but with the addition of an injection port 16, which is used for refilling the fluid system comprising the volume filling device 10 and the stretching device 50 or alternatively for actively adjusting the size thereof.

10 Similarly, Fig. 16 illustrates an embodiment wherein the stretching device 50 can be actively regulated by manually pressing an adjustment reservoir which is provided subcutaneously below the patient's skin, similar to the embodiment shown in Fig. 9. Thus, a regulation reservoir 17 for fluids is connected to the inflatable device by means of a conduit 18 in the form of a tube. The stretching device 50 is thereby  
15 adapted to be regulated, non-invasively, by moving liquid or air from the regulation reservoir 17 to the chamber formed by the inflatable device. The regulation of the stretching device 50 preferably comprises a reversed servo, i.e., a small volume is actuated for example by the patient's finger and this small volume is in connection with a larger volume.

20 An alternative placement of the volume filling device 10 is shown in Figs. 17a and 17b, wherein Fig. 17b shows a sectional view through the stomach shown in Fig. 17a along the line XVIIb - XVIIb. There, the volume filling device 10 is adapted to be placed inside the wall of the stomach 12, such as via a gastroscope or similar intraluminal instrument, and resting against the inside of the stomach wall 12a. The  
25 inflatable device can be kept invaginated by means of sutures or staples 14, like in the embodiment of Figs. 2a and 2b. In this embodiment, no hole is required in the stomach wall. Instead, a method of providing the volume filling device 10 can comprise the following steps, which will be explained with reference to Figs. 18a-i showing an invagination instrument

The invagination instrument, generally designated 630, comprises an elongated tube member 632 similar to the elongated member 607 described above with reference to Figs. 5a-i. Thus, it can be connected to a control unit 606, see Fig. 5a. The invagination instrument 630 further comprises a perforated suction portion 634, which preferably is elongated. The suction portion 634 exhibits a plurality of small holes 636, into which air will be sucked by providing suction in the tube member 632. This suction effect will be used to create a "pocket" or "pouch" in a part of a stomach wall, generally designated 12a.

In other words, when the tip of the suction portion 634 is pressed against the stomach wall 12a, see Fig. 18a, a small recess will be formed therein. When the suction portion 634 is further pressed against the stomach wall 12a, see Fig. 18b, a larger recess will be formed. The part of the stomach wall 12a that forms the recess will, due to the suction effect, adhere to the suction portion 634 of the invagination instrument 630. As the suction portion 634 is further pressed into the stomach wall 12a, see Fig. 18c, a deeper recess will be formed until the entire suction portion 634 is embedded in the recess, see Fig. 18d.

The rim of the recess will at this stage be fixated by means of fixation elements 638 and the suction portion be removed from the instrument, see Fig. 18e. A compressed elastic volume filling device 10 will subsequently be inserted into the recess, see Fig. 18f, for example in the way described above with reference to Fig. 4d. This compressed volume filling device is then expanded to its final shape, see Fig. 18h, where after the pouch is sealed by suturing or stapling by means of the fixations elements, see Fig. 18i.

All the alternatives described above with reference to Figs. 2-16 are also applicable to the embodiment described with reference to Figs. 17 and 18, i.e., to the embodiment where the volume filling device is invaginated on the inside of the stomach wall.

Figs. 19a-j show an instrument for use in a method of engaging a volume filling device 10 to the stomach wall 12 of a patient. The instrument is adapted to be inserted through a narrow tube shaped object such as a gastroscope, used in an

intraluminal procedure, or a laparoscopic trocar used in a laparoscopic procedure. The instrument comprises an elongated member 650 which is adapted to be flexible by means of a construction comprising multiple ring shaped members, however it is equally conceivable that said elongated member 650 is adapted to be flexible by

5 means of said elongated member 650 being made of a flexible or adjustable material. The elongated member 650 is inserted into the body and placed in proximity to the stomach wall 12 of the patient, from the outside or inside thereof. The elongated member 650 has a special holding device 651 adapted to hold the stomach by means of mechanical grabbing members or vacuum. The special holding device 651

10 comprises a first joint 652 and a second joint 653, which enable the special holding device 651 be operable in relation to the elongated member 650 and thereby place the part of the holding device 651 comprising the mechanical grabbing members or vacuum elements into contact with the stomach wall 12 of the patient. Fig. 19b shows the special holding device 651 when placed in contact with the stomach wall

15 12 of the human patient, after which the special holding member 651 connects to the stomach wall 12, for holding the stomach wall 12. Fig. 19c shows the instrument when the step of advancing a pushing rod 654 from the elongated member 650 is performed. The pushing rod 654 pushes the stomach wall 12 to create a cavity or pouch thereof. Fig. 19d shows the instrument turned 90° in relation to figs. 19a-c.

20 This view shows the special holding members 651a,b operably attached to two sides of the elongated member 650 and being in contact with the stomach wall 12, holding the stomach wall 12 as the pushing rod 654 pushes to create a cavity or pouch. When the pushing rod 654 has pushed the stomach wall 12 to a desired position the special holding devices 651a,b moves towards the pushing rod 654 and thereby closes the

25 cavity or pouch.

After the cavity or pouch has been created it needs to be sealed. Fig. 19f shows the advancement of a suturing or stapling device 655 from the elongated member 650. The suturing or stapling device 655 is positioned in connection with the stomach wall after which the suturing or stapling device commences with the suturing or stapling

30 of the stomach wall 12, creating a seal of stomach to stomach sutures or staples 14. The instrument is moved along the stomach wall 12 of the patient and thereby a cavity or pouch is created and sealed using the instrument, as shown in fig. 19g and

19h. When a cavity or pouch of desired size has been created and sealed an inserting member 656 is advanced from the elongated member 650. The inserting member 656 is adapted to insert a volume filling device 10 being inflatable, as described earlier in this application. After the inserting member 656 has been positioned in the cavity or pouch the volume filling device 10 is inserted through the inserting member 656 and into the cavity or pouch by means of a pressurized fluid or gas, or a mechanical advancement member pushing said inflatable volume filling device 10 into the cavity or pouch. The insertion member then inflates the inflatable volume filling device with a fluid or gas and seals off the final section of the pouch using stomach sutures or staples 14. The embodiment described explains the process of inserting an inflatable volume filling device, however it is equally conceivable that the volume filling device 10 is expandable by means of the volume filling device 10 being made of an elastic material.

Figs. 20a-f show an instrument for use in a method of engaging a volume filling device 10 to the stomach wall 12 of a patient. The instrument is adapted to be inserted through a narrow tube shaped object such as a gastroscope, used in an intraluminal procedure, or a laparoscopic trocar used in a laparoscopic procedure. The instrument comprises an elongated member 660 which is adapted to be flexible by means of a construction comprising multiple ring shaped members, however it is equally conceivable that said elongated member 660 is adapted to be flexible by means of said elongated member 660 being made of a flexible or adjustable material. The elongated member 660 is inserted into the body and placed in proximity to the stomach wall 12 of the patient, from the outside or inside thereof. The elongated member 660 has multiple special holding devices 661 adapted to hold the stomach by means of mechanical grabbing members or vacuum. The special holding devices 661 are locked in a position alongside the elongated member 660 by means of a locking ring 662. The special holding devices are made of a flexible material and pre-bent to expand into a funnel-shaped device when said locking ring 662 is removed. The special holding device in its funnel shaped expandable state is shown in fig. 20b. Fig. 20b further shows the special holding device 661 when placed in contact with the stomach wall 12 of the human patient, after which the special holding member 661 connects to the stomach wall 12, for holding the stomach wall 12. Fig. 20c shows the

instrument when the step of advancing a pushing rod 664 from the elongated member 660 is performed. The pushing rod 664 pushes the stomach wall 12 to create a cavity or pouch thereof. When the pushing rod 664 has pushed the stomach wall 12 to a desired position the special holding devices 661 moves towards the pushing rod 664  
5 and thereby closes the cavity or pouch.

After the cavity or pouch has been created it needs to be sealed. Fig. 20d shows the advancement of a suturing or stapling device 665 from the elongated member 660. The suturing or stapling device 665 is positioned in connection with the stomach wall 12 after which the suturing or stapling device 665 commences with the suturing or  
10 stapling of the stomach wall 12, creating a seal of stomach to stomach sutures or staples 14. Thereafter an inserting member 666 is advanced from the elongated member 660 and the special holding devices 661 are retracted. The inserting member 666 is adapted to insert a volume filling device 10 being inflatable, as described earlier in this application. After the inserting member 666 has been positioned in the  
15 cavity or pouch the volume filling device 10 is inserted through the inserting member 666 and into the cavity or pouch by means of a pressurized fluid or gas, or a mechanical advancement member pushing said inflatable volume filling device 10 into the cavity or pouch. The insertion member 656 then inflates the inflatable volume filling device with a fluid or gas and seals of the final section of the pouch  
20 using stomach to stomach sutures or staples 14. The embodiment described explains the process of inserting an inflatable volume filling device 10, however it is equally conceivable that the volume filling device 10 is expandable by means of the volume filling device 10 being made of an elastic material. Fig.20 f shows the volume filling device 10 as the volume filling device 10 is invaginated in the stomach wall 12, in a  
25 cavity or pouch sealed with stomach to stomach sutures or staples 14.

Fig. 21a shows an instrument used in a method of engaging the volume filling device according to any of the embodiments of the application to the stomach wall 12. The instrument comprises an elongated member 670 which is adapted to be flexible by means of a construction comprising multiple ring shaped members, however it is  
30 equally conceivable that said elongated member 670 is adapted to be flexible by means of said elongated member 670 being made of a flexible or adjustable material.

The elongated member 670 is inserted into the body and placed in proximity to the stomach wall 12 of the patient, from the inside thereof. A stomach penetrating member 672 is placed in the distal end of the elongated member 670, retractably fixated to a protective sleeve 673 adapted to protect the tissue of the body from the sharp penetrating member 672 or cutter 672 after the cutting operation has been performed.

Fig. 21b shows the instrument comprising the elongated member 670 after the cutting operation has been performed and the stomach penetrating member or cutter 672 has been retracted into the protective sleeve 673. A guiding wire 671 is pushed through the elongated member 670, through the hole made in the stomach wall 12 and out through the abdomen and placed on the inside of the patients skin, which is penetrated from the outside to enable the guiding wire 671 to exit the abdomen. The guiding wire 671 can then be used to guide a conduit 18 or a lead attached to the volume filling device 10 being placed in the stomach from the inside thereof. The volume filling device 10 with the conduit 18 or electrical lead being a volume filling device 10 according to any of the embodiments of this application. The guiding of the conduit 18 or electrical lead enables the attachment of the conduit 18 or electrical lead to a control unit 42 placed subcutaneously in the patient from the outside of the abdomen.

Fig. 22 illustrates a system for treating a disease comprising an apparatus 10 comprising a volume filling device of the present invention placed in the abdomen of a patient. An implanted energy-transforming device 1002 is adapted to supply energy consuming components of the apparatus with energy via a power supply line 1003. An external energy-transmission device 1004 for non-invasively energizing the apparatus 10 transmits energy by at least one wireless energy signal. The implanted energy-transforming device 1002 transforms energy from the wireless energy signal into electric energy which is supplied via the power supply line 1003.

The implanted energy-transforming device 1002 may also comprise other components, such as: a coil for reception and/or transmission of signals and energy, an antenna for reception and/or transmission of signals, a microcontroller, a charge control unit, optionally comprising an energy storage, such as a capacitor, one or

more sensors, such as temperature sensor, pressure sensor, position sensor, motion sensor etc., a transceiver, a motor, optionally including a motor controller, a pump, and other parts for controlling the operation of a medical implant.

The wireless energy signal may include a wave signal selected from the following: a  
5 sound wave signal, an ultrasound wave signal, an electromagnetic wave signal, an infrared light signal, a visible light signal, an ultra violet light signal, a laser light signal, a micro wave signal, a radio wave signal, an x-ray radiation signal and a gamma radiation signal. Alternatively, the wireless energy signal may include an electric or magnetic field, or a combined electric and magnetic field.

10 The wireless energy-transmission device 1004 may transmit a carrier signal for carrying the wireless energy signal. Such a carrier signal may include digital, analogue or a combination of digital and analogue signals. In this case, the wireless energy signal includes an analogue or a digital signal, or a combination of an analogue and digital signal.

15 Generally speaking, the energy-transforming device 1002 is provided for transforming wireless energy of a first form transmitted by the energy-transmission device 1004 into energy of a second form, which typically is different from the energy of the first form. The implanted apparatus 10 is operable in response to the energy of the second form. The energy-transforming device 1002 may directly power  
20 the apparatus with the second form energy, as the energy-transforming device 1002 transforms the first form energy transmitted by the energy-transmission device 1004 into the second form energy. The system may further include an implantable accumulator, wherein the second form energy is used at least partly to charge the accumulator.

25 Alternatively, the wireless energy transmitted by the energy-transmission device 1004 may be used to directly power the apparatus, as the wireless energy is being transmitted by the energy-transmission device 1004. Where the system comprises an operation device for operating the apparatus, as will be described below, the wireless energy transmitted by the energy-transmission device 1004 may be used to directly

power the operation device to create kinetic energy for the operation of the apparatus.

The wireless energy of the first form may comprise sound waves and the energy-transforming device 1002 may include a piezo-electric element for transforming the sound waves into electric energy. The energy of the second form may comprise  
5 electric energy in the form of a direct current or pulsating direct current, or a combination of a direct current and pulsating direct current, or an alternating current or a combination of a direct and alternating current. Normally, the apparatus comprises electric components that are energized with electrical energy. Other  
10 implantable electric components of the system may be at least one voltage level guard or at least one constant current guard connected with the electric components of the apparatus.

Optionally, one of the energy of the first form and the energy of the second form may comprise magnetic energy, kinetic energy, sound energy, chemical energy, radiant  
15 energy, electromagnetic energy, photo energy, nuclear energy or thermal energy. Preferably, one of the energy of the first form and the energy of the second form is non-magnetic, non-kinetic, non-chemical, non-sonic, non-nuclear or non-thermal.

The energy-transmission device may be controlled from outside the patient's body to release electromagnetic wireless energy, and the released electromagnetic wireless  
20 energy is used for operating the apparatus. Alternatively, the energy-transmission device is controlled from outside the patient's body to release non-magnetic wireless energy, and the released non-magnetic wireless energy is used for operating the apparatus.

The external energy-transmission device 1004 also includes a wireless remote control having an external signal transmitter for transmitting a wireless control signal  
25 for non-invasively controlling the apparatus. The control signal is received by an implanted signal receiver which may be incorporated in the implanted energy-transforming device 1002 or be separate there from.

The wireless control signal may include a frequency, amplitude, or phase modulated signal or a combination thereof. Alternatively, the wireless control signal includes an analogue or a digital signal, or a combination of an analogue and digital signal. Alternatively, the wireless control signal comprises an electric or magnetic field, or a  
5 combined electric and magnetic field.

The wireless remote control may transmit a carrier signal for carrying the wireless control signal. Such a carrier signal may include digital, analogue or a combination of digital and analogue signals. Where the control signal includes an analogue or a digital signal, or a combination of an analogue and digital signal, the wireless remote  
10 control preferably transmits an electromagnetic carrier wave signal for carrying the digital or analogue control signals.

Fig. 23 illustrates the system of Fig. 22 in the form of a more generalized block diagram showing the apparatus 10, the energy-transforming device 1002 powering the apparatus 10 via power supply line 1003, and the external energy-transmission  
15 device 1004. The patient's skin 1005, generally shown by a vertical line, separates the interior of the patient to the right of the line from the exterior to the left of the line.

Fig. 24 shows an embodiment of the invention identical to that of Fig. 23, except that a reversing device in the form of an electric switch 1006 operable for example by  
20 polarized energy also is implanted in the patient for reversing the apparatus 10. When the switch is operated by polarized energy the wireless remote control of the external energy-transmission device 1004 transmits a wireless signal that carries polarized energy and the implanted energy-transforming device 1002 transforms the wireless polarized energy into a polarized current for operating the electric switch  
25 1006. When the polarity of the current is shifted by the implanted energy-transforming device 1002 the electric switch 1006 reverses the function performed by the apparatus 10.

Fig. 25 shows an embodiment of the invention identical to that of Fig. 23, except that an operation device 1007 implanted in the patient for operating the apparatus 10 is  
30 provided between the implanted energy-transforming device 1002 and the apparatus

10. This operation device can be in the form of a motor 1007, such as an electric servomotor. The motor 1007 is powered with energy from the implanted energy-transforming device 1002, as the remote control of the external energy-transmission device 1004 transmits a wireless signal to the receiver of the implanted energy-transforming device 1002.

Fig. 26 shows an embodiment of the invention identical to that of Fig. 23, except that it also comprises an operation device is in the form of an assembly 1008 including a motor/pump unit 1009 and a fluid reservoir 1010 is implanted in the patient. In this case the apparatus 10 is hydraulically operated, i.e. hydraulic fluid is pumped by the motor/pump unit 1009 from the fluid reservoir 1010 through a conduit 1011 to the apparatus 10 to operate the apparatus, and hydraulic fluid is pumped by the motor/pump unit 1009 back from the apparatus 10 to the fluid reservoir 1010 to return the apparatus to a starting position. The implanted energy-transforming device 1002 transforms wireless energy into a current, for example a polarized current, for powering the motor/pump unit 1009 via an electric power supply line 1012.

Instead of a hydraulically operated apparatus 10, it is also envisaged that the operation device comprises a pneumatic operation device. In this case, the hydraulic fluid can be pressurized air to be used for regulation and the fluid reservoir is replaced by an air chamber.

In all of these embodiments the energy-transforming device 1002 may include a rechargeable accumulator like a battery or a capacitor to be charged by the wireless energy and supplies energy for any energy consuming part of the system.

As an alternative, the wireless remote control described above may be replaced by manual control of any implanted part to make contact with by the patient's hand most likely indirect, for example a press button placed under the skin.

Fig. 27 shows an embodiment of the invention comprising the external energy-transmission device 1004 with its wireless remote control, the apparatus 10, in this case hydraulically operated, and the implanted energy-transforming device 1002, and further comprising a hydraulic fluid reservoir 1013, a motor/pump unit 1009 and an

reversing device in the form of a hydraulic valve shifting device 1014, all implanted in the patient. Of course the hydraulic operation could easily be performed by just changing the pumping direction and the hydraulic valve may therefore be omitted. The remote control may be a device separated from the external energy-transmission device or included in the same. The motor of the motor/pump unit 1009 is an electric motor. In response to a control signal from the wireless remote control of the external energy-transmission device 1004, the implanted energy-transforming device 1002 powers the motor/pump unit 1009 with energy from the energy carried by the control signal, whereby the motor/pump unit 1009 distributes hydraulic fluid between the hydraulic fluid reservoir 1013 and the apparatus 10. The remote control of the external energy-transmission device 1004 controls the hydraulic valve shifting device 1014 to shift the hydraulic fluid flow direction between one direction in which the fluid is pumped by the motor/pump unit 1009 from the hydraulic fluid reservoir 1013 to the apparatus 10 to operate the apparatus, and another opposite direction in which the fluid is pumped by the motor/pump unit 1009 back from the apparatus 10 to the hydraulic fluid reservoir 1013 to return the apparatus to a starting position.

Fig. 28 shows an embodiment of the invention comprising the external energy-transmission device 1004 with its wireless remote control, the apparatus 10, the implanted energy-transforming device 1002, an implanted internal control unit 1015 controlled by the wireless remote control of the external energy-transmission device 1004, an implanted accumulator 1016 and an implanted capacitor 1017. The internal control unit 1015 arranges storage of electric energy received from the implanted energy-transforming device 1002 in the accumulator 1016, which supplies energy to the apparatus 10. In response to a control signal from the wireless remote control of the external energy-transmission device 1004, the internal control unit 1015 either releases electric energy from the accumulator 1016 and transfers the released energy via power lines 1018 and 1019, or directly transfers electric energy from the implanted energy-transforming device 1002 via a power line 1020, the capacitor 1017, which stabilizes the electric current, a power line 1021 and the power line 1019, for the operation of the apparatus 10.

The internal control unit is preferably programmable from outside the patient's body. In a preferred embodiment, the internal control unit is programmed to regulate the apparatus 10 according to a pre-programmed time-schedule or to input from any sensor sensing any possible physical parameter of the patient or any functional  
5 parameter of the system.

In accordance with an alternative, the capacitor 1017 in the embodiment of Fig. 28 10 may be omitted. In accordance with another alternative, the accumulator 1016 in this embodiment may be omitted.

Fig. 29 shows an embodiment of the invention identical to that of Fig. 23, except that  
10 a battery 1022 for supplying energy for the operation of the apparatus 10 and an electric switch 1023 for switching the operation of the apparatus 10 also are implanted in the patient. The electric switch 1023 may be controlled by the remote control and may also be operated by the energy supplied by the implanted energy-transforming device 1002 to switch from an off mode, in which the battery 1022 is  
15 not in use, to an on mode, in which the battery 1022 supplies energy for the operation of the apparatus 10.

Fig. 30 shows an embodiment of the invention identical to that of Fig. 29, except that an internal control unit 1015 controllable by the wireless remote control of the external energy-transmission device 1004 also is implanted in the patient. In this  
20 case, the electric switch 1023 is operated by the energy supplied by the implanted energy-transforming device 1002 to switch from an off mode, in which the wireless remote control is prevented from controlling the internal control unit 1015 and the battery is not in use, to a standby mode, in which the remote control is permitted to control the internal control unit 1015 to release electric energy from the battery 1022  
25 for the operation of the apparatus 10.

Fig. 31 shows an embodiment of the invention identical to that of Fig. 30, except that an accumulator 1016 is substituted for the battery 1022 and the implanted components are interconnected differently. In this case, the accumulator 1016 stores energy from the implanted energy-transforming device 1002. In response to a control  
30 signal from the wireless remote control of the external energy-transmission device

1004, the internal control unit 1015 controls the electric switch 1023 to switch from an off mode, in which the accumulator 1016 is not in use, to an on mode, in which the accumulator 1016 supplies energy for the operation of the apparatus 10. The accumulator may be combined with or replaced by a capacitor.

5 Fig. 32 shows an embodiment of the invention identical to that of Fig. 31, except that a battery 1022 also is implanted in the patient and the implanted components are interconnected differently. In response to a control signal from the wireless remote control of the external energy-transmission device 1004, the internal control unit  
10 switch 1023 to switch from an off mode, in which the battery 1022 is not in use, to an on mode, in which the battery 1022 supplies electric energy for the operation of the apparatus 10.

Alternatively, the electric switch 1023 may be operated by energy supplied by the accumulator 1016 to switch from an off mode, in which the wireless remote control  
15 is prevented from controlling the battery 1022 to supply electric energy and is not in use, to a standby mode, in which the wireless remote control is permitted to control the battery 1022 to supply electric energy for the operation of the apparatus 10.

It should be understood that the switch 1023 and all other switches in this application should be interpreted in its broadest embodiment. This means a transistor, MCU,  
20 MCPU, ASIC, FPGA or a DA converter or any other electronic component or circuit that may switch the power on and off. Preferably the switch is controlled from outside the body, or alternatively by an implanted internal control unit.

Fig. 33 shows an embodiment of the invention identical to that of Fig. 29, except that a motor 1007, a mechanical reversing device in the form of a gear box 1024, and an  
25 internal control unit 1015 for controlling the gear box 1024 also are implanted in the patient. The internal control unit 1015 controls the gear box 1024 to reverse the function performed by the apparatus 10 (mechanically operated). Even simpler is to switch the direction of the motor electronically. The gear box interpreted in its broadest embodiment may stand for a servo arrangement saving force for the  
30 operation device in favour of longer stroke to act.

Fig. 34 shows an embodiment of the invention identical to that of Fig. 40 except that the implanted components are interconnected differently. Thus, in this case the internal control unit 1015 is powered by the battery 1022 when the accumulator 1016, suitably a capacitor, activates the electric switch 1023 to switch to an on mode.

5 When the electric switch 1023 is in its on mode the internal control unit 1015 is permitted to control the battery 1022 to supply, or not supply, energy for the operation of the apparatus 10.

Fig. 35 schematically shows conceivable combinations of implanted components of the apparatus for achieving various communication options. Basically, there are the

10 apparatus 10, the internal control unit 1015, motor or pump unit 1009, and the external energy-transmission device 1004 including the external wireless remote control. As already described above the wireless remote control transmits a control signal which is received by the internal control unit 1015, which in turn controls the various implanted components of the apparatus.

15 A feedback device, preferably comprising a sensor or measuring device 1025, may be implanted in the patient for sensing a physical parameter of the patient. The physical parameter may be at least one selected from the group consisting of pressure, volume, diameter, stretching, elongation, extension, movement, bending, elasticity, muscle contraction, nerve impulse, body temperature, blood pressure,

20 blood flow, heartbeats and breathing. The sensor may sense any of the above physical parameters. For example, the sensor may be a pressure or motility sensor. Alternatively, the sensor 1025 may be arranged to sense a functional parameter. The functional parameter may be correlated to the transfer of energy for charging an implanted energy source and may further include at least one selected from the group

25 of parameters consisting of; electricity, any electrical parameter, pressure, volume, diameter, stretch, elongation, extension, movement, bending, elasticity, temperature and flow.

The feedback may be sent to the internal control unit or out to an external control unit preferably via the internal control unit. Feedback may be sent out from the body

30 via the energy transfer system or a separate communication system with receiver and transmitters.

The internal control unit 1015, or alternatively the external wireless remote control of the external energy-transmission device 1004, may control the apparatus 10 in response to signals from the sensor 1025. A transceiver may be combined with the sensor 1025 for sending information on the sensed physical parameter to the external  
5 wireless remote control. The wireless remote control may comprise a signal transmitter or transceiver and the internal control unit 1015 may comprise a signal receiver or transceiver. Alternatively, the wireless remote control may comprise a signal receiver or transceiver and the internal control unit 1015 may comprise a signal transmitter or transceiver. The above transceivers, transmitters and receivers  
10 may be used for sending information or data related to the apparatus 10 from inside the patient's body to the outside thereof.

Where the motor/pump unit 1009 and battery 1022 for powering the motor/pump unit 1009 are implanted, information related to the charging of the battery 1022 may be fed back. To be more precise, when charging a battery or accumulator with energy  
15 feed back information related to said charging process is sent and the energy supply is changed accordingly.

Fig. 36 shows an alternative embodiment wherein the apparatus 10 is regulated from outside the patient's body. The system 1000 comprises a battery 1022 connected to the apparatus 10 via a subcutaneous electric switch 1026. Thus, the regulation of the  
20 apparatus 10 is performed non-invasively by manually pressing the subcutaneous switch, whereby the operation of the apparatus 10 is switched on and off. It will be appreciated that the shown embodiment is a simplification and that additional components, such as an internal control unit or any other part disclosed in the present application can be added to the system. Two subcutaneous switches may also be  
25 used. In the preferred embodiment one implanted switch sends information to the internal control unit to perform a certain predetermined performance and when the patient press the switch again the performance is reversed.

Fig. 37 shows an alternative embodiment, wherein the system 1000 comprises a hydraulic fluid reservoir 1013 hydraulically connected to the apparatus. Non-  
30 invasive regulation is performed by manually pressing the hydraulic reservoir connected to the apparatus. Alternatively, the hydraulic fluid reservoir 1013 is

adapted to work with an injection port for the injection of hydraulic fluid, preferably for calibration of hydraulic fluid.

The system may include an external data communicator and an implantable internal data communicator communicating with the external data communicator. The  
5 internal communicator feeds data related to the apparatus or the patient to the external data communicator and/or the external data communicator feeds data to the internal data communicator.

Fig. 38 schematically illustrates an arrangement of the system that is capable of sending information from inside the patient's body to the outside thereof to give  
10 feedback information related to at least one functional parameter of the apparatus or system, or related to a physical parameter of the patient, in order to supply an accurate amount of energy to an implanted internal energy receiver 1002 connected to implanted energy consuming components of the apparatus 10. Such an energy receiver 1002 may include an energy source and/or an energy-transforming device.  
15 Briefly described, wireless energy is transmitted from an external energy source 1004a located outside the patient and is received by the internal energy receiver 1002 located inside the patient. The internal energy receiver is adapted to directly or indirectly supply received energy to the energy consuming components of the apparatus 10 via a switch 1026. An energy balance is determined between the energy  
20 received by the internal energy receiver 1002 and the energy used for the apparatus 10, and the transmission of wireless energy is then controlled based on the determined energy balance. The energy balance thus provides an accurate indication of the correct amount of energy needed, which is sufficient to operate the apparatus 10 properly, but without causing undue temperature rise.

25 In Fig. 38 the patient's skin is indicated by a vertical line 1005. Here, the energy receiver comprises an energy-transforming device 1002 located inside the patient, preferably just beneath the patient's skin 1005. Generally speaking, the implanted energy-transforming device 1002 may be placed in the abdomen, thorax, muscle fascia (e.g. in the abdominal wall), subcutaneously, or at any other suitable location.  
30 The implanted energy-transforming device 1002 is adapted to receive wireless energy E transmitted from the external energy-source 1004a provided in an external

energy-transmission device 1004 located outside the patient's skin 1005 in the vicinity of the implanted energy-transforming device 1002.

As is well known in the art, the wireless energy E may generally be transferred by means of any suitable Transcutaneous Energy Transfer (TET) device, such as a device including a primary coil arranged in the external energy source 1004a and an adjacent secondary coil arranged in the implanted energy-transforming device 1002. When an electric current is fed through the primary coil, energy in the form of a voltage is induced in the secondary coil which can be used to power the implanted energy consuming components of the apparatus, e.g. after storing the incoming energy in an implanted energy source, such as a rechargeable battery or a capacitor. However, the present invention is generally not limited to any particular energy transfer technique, TET devices or energy sources, and any kind of wireless energy may be used.

The amount of energy received by the implanted energy receiver may be compared with the energy used by the implanted components of the apparatus. The term "energy used" is then understood to include also energy stored by implanted components of the apparatus. A control device includes an external control unit 1004b that controls the external energy source 1004a based on the determined energy balance to regulate the amount of transferred energy. In order to transfer the correct amount of energy, the energy balance and the required amount of energy is determined by means of a determination device including an implanted internal control unit 1015 connected between the switch 1026 and the apparatus 10. The internal control unit 1015 may thus be arranged to receive various measurements obtained by suitable sensors or the like, not shown, measuring certain characteristics of the apparatus 10, somehow reflecting the required amount of energy needed for proper operation of the apparatus 10. Moreover, the current condition of the patient may also be detected by means of suitable measuring devices or sensors, in order to provide parameters reflecting the patient's condition. Hence, such characteristics and/or parameters may be related to the current state of the apparatus 10, such as power consumption, operational mode and temperature, as well as the patient's condition reflected by parameters such as; body temperature, blood pressure,

heartbeats and breathing. Other kinds of physical parameters of the patient and functional parameters of the device are described elsewhere.

Furthermore, an energy source in the form of an accumulator 1016 may optionally be connected to the implanted energy-transforming device 1002 via the control unit  
5 1015 for accumulating received energy for later use by the apparatus 10.  
Alternatively or additionally, characteristics of such an accumulator, also reflecting the required amount of energy, may be measured as well. The accumulator may be replaced by a rechargeable battery, and the measured characteristics may be related  
10 to the current state of the battery, any electrical parameter such as energy consumption voltage, temperature, etc. In order to provide sufficient voltage and current to the apparatus 10, and also to avoid excessive heating, it is clearly understood that the battery should be charged optimally by receiving a correct amount of energy from the implanted energy-transforming device 1002, i.e. not too little or too much. The accumulator may also be a capacitor with corresponding  
15 characteristics.

For example, battery characteristics may be measured on a regular basis to determine the current state of the battery, which then may be stored as state information in a suitable storage means in the internal control unit 1015. Thus, whenever new measurements are made, the stored battery state information can be updated  
20 accordingly. In this way, the state of the battery can be “calibrated” by transferring a correct amount of energy, so as to maintain the battery in an optimal condition.

Thus, the internal control unit 1015 of the determination device is adapted to determine the energy balance and/or the currently required amount of energy, (either energy per time unit or accumulated energy) based on measurements made by the  
25 above-mentioned sensors or measuring devices of the apparatus 10, or the patient, or an implanted energy source if used, or any combination thereof. The internal control unit 1015 is further connected to an internal signal transmitter 1027, arranged to transmit a control signal reflecting the determined required amount of energy, to an external signal receiver 1004c connected to the external control unit 1004b. The  
30 amount of energy transmitted from the external energy source 1004a may then be regulated in response to the received control signal.

Alternatively, the determination device may include the external control unit 1004b. In this alternative, sensor measurements can be transmitted directly to the external control unit 1004b wherein the energy balance and/or the currently required amount of energy can be determined by the external control unit 1004b, thus integrating the  
5 above-described function of the internal control unit 1015 in the external control unit 1004b. In that case, the internal control unit 1015 can be omitted and the sensor measurements are supplied directly to the internal signal transmitter 1027 which sends the measurements over to the external signal receiver 1004c and the external control unit 1004b. The energy balance and the currently required amount of energy  
10 can then be determined by the external control unit 1004b based on those sensor measurements.

Hence, the present solution according to the arrangement of Fig. 38 employs the feed back of information indicating the required energy, which is more efficient than previous solutions because it is based on the actual use of energy that is compared to  
15 the received energy, e.g. with respect to the amount of energy, the energy difference, or the energy receiving rate as compared to the energy rate used by implanted energy consuming components of the apparatus. The apparatus may use the received energy either for consuming or for storing the energy in an implanted energy source or the like. The different parameters discussed above would thus be used if relevant and  
20 needed and then as a tool for determining the actual energy balance. However, such parameters may also be needed per se for any actions taken internally to specifically operate the apparatus.

The internal signal transmitter 1027 and the external signal receiver 1004c may be implemented as separate units using suitable signal transfer means, such as radio, IR  
25 (Infrared) or ultrasonic signals. Alternatively, the internal signal transmitter 1027 and the external signal receiver 1004c may be integrated in the implanted energy-transforming device 1002 and the external energy source 1004a, respectively, so as to convey control signals in a reverse direction relative to the energy transfer, basically using the same transmission technique. The control signals may be  
30 modulated with respect to frequency, phase or amplitude.

Thus, the feedback information may be transferred either by a separate communication system including receivers and transmitters or may be integrated in the energy system. In accordance with the present invention, such an integrated information feedback and energy system comprises an implantable internal energy receiver for receiving wireless energy, the energy receiver having an internal first coil and a first electronic circuit connected to the first coil, and an external energy transmitter for transmitting wireless energy, the energy transmitter having an external second coil and a second electronic circuit connected to the second coil. The external second coil of the energy transmitter transmits wireless energy which is received by the first coil of the energy receiver. This system further comprises a power switch for switching the connection of the internal first coil to the first electronic circuit on and off, such that feedback information related to the charging of the first coil is received by the external energy transmitter in the form of an impedance variation in the load of the external second coil, when the power switch switches the connection of the internal first coil to the first electronic circuit on and off. In implementing this system in the arrangement of Fig. 38, the switch 1026 is either separate and controlled by the internal control unit 1015, or integrated in the internal control unit 1015. It should be understood that the switch 1026 should be interpreted in its broadest embodiment. This means a transistor, MCU, MCPU, ASIC FPGA or a DA converter or any other electronic component or circuit that may switch the power on and off.

To conclude, the energy supply arrangement illustrated in Fig. 38 may operate basically in the following manner. The energy balance is first determined by the internal control unit 1015 of the determination device. A control signal reflecting the required amount of energy is also created by the internal control unit 1015, and the control signal is transmitted from the internal signal transmitter 1027 to the external signal receiver 1004c. Alternatively, the energy balance can be determined by the external control unit 1004b instead depending on the implementation, as mentioned above. In that case, the control signal may carry measurement results from various sensors. The amount of energy emitted from the external energy source 1004a can then be regulated by the external control unit 1004b, based on the determined energy balance, e.g. in response to the received control signal. This process may be repeated

intermittently at certain intervals during ongoing energy transfer, or may be executed on a more or less continuous basis during the energy transfer.

The amount of transferred energy can generally be regulated by adjusting various transmission parameters in the external energy source 1004a, such as voltage,  
5 current, amplitude, wave frequency and pulse characteristics.

This system may also be used to obtain information about the coupling factors between the coils in a TET system even to calibrate the system both to find an optimal place for the external coil in relation to the internal coil and to optimize energy transfer. Simply comparing in this case the amount of energy transferred with  
10 the amount of energy received. For example if the external coil is moved the coupling factor may vary and correctly displayed movements could cause the external coil to find the optimal place for energy transfer. Preferably, the external coil is adapted to calibrate the amount of transferred energy to achieve the feedback information in the determination device, before the coupling factor is maximized.

15 This coupling factor information may also be used as a feedback during energy transfer. In such a case, the energy system of the present invention comprises an implantable internal energy receiver for receiving wireless energy, the energy receiver having an internal first coil and a first electronic circuit connected to the first coil, and an external energy transmitter for transmitting wireless energy, the energy  
20 transmitter having an external second coil and a second electronic circuit connected to the second coil. The external second coil of the energy transmitter transmits wireless energy which is received by the first coil of the energy receiver. This system further comprises a feedback device for communicating out the amount of energy received in the first coil as a feedback information, and wherein the second electronic circuit includes a determination device for receiving the feedback information and  
25 for comparing the amount of transferred energy by the second coil with the feedback information related to the amount of energy received in the first coil to obtain the coupling factor between the first and second coils. The energy transmitter may regulate the transmitted energy in response to the obtained coupling factor.

With reference to Fig. 39, although wireless transfer of energy for operating the apparatus has been described above to enable non-invasive operation, it will be appreciated that the apparatus can be operated with wire bound energy as well. Such an example is shown in Fig. 39, wherein an external switch 1026 is interconnected  
5 between the external energy source 1004a and an operation device, such as an electric motor 1007 operating the apparatus 10. An external control unit 1004b controls the operation of the external switch 1026 to effect proper operation of the apparatus 10.

Fig. 40 illustrates different embodiments for how received energy can be supplied to  
10 and used by the apparatus 10. Similar to the example of Fig. 38, an internal energy receiver 1002 receives wireless energy E from an external energy source 1004a which is controlled by a transmission control unit 1004b. The internal energy receiver 1002 may comprise a constant voltage circuit, indicated as a dashed box "constant V" in the figure, for supplying energy at constant voltage to the apparatus  
15 10. The internal energy receiver 1002 may further comprise a constant current circuit, indicated as a dashed box "constant C" in the figure, for supplying energy at constant current to the apparatus 10.

The apparatus 10 comprises an energy consuming part 10a, which may be a motor, pump, restriction device, or any other medical appliance that requires energy for its  
20 electrical operation. The apparatus 10 may further comprise an energy storage device 10b for storing energy supplied from the internal energy receiver 1002. Thus, the supplied energy may be directly consumed by the energy consuming part 10a, or stored by the energy storage device 10b, or the supplied energy may be partly consumed and partly stored. The apparatus 10 may further comprise an energy  
25 stabilizing unit 10c for stabilizing the energy supplied from the internal energy receiver 1002. Thus, the energy may be supplied in a fluctuating manner such that it may be necessary to stabilize the energy before consumed or stored.

The energy supplied from the internal energy receiver 1002 may further be accumulated and/or stabilized by a separate energy stabilizing unit 1028 located  
30 outside the apparatus 10, before being consumed and/or stored by the apparatus 10. Alternatively, the energy stabilizing unit 1028 may be integrated in the internal

energy receiver 1002. In either case, the energy stabilizing unit 1028 may comprise a constant voltage circuit and/or a constant current circuit.

It should be noted that Fig. 38 and Fig. 40 illustrate some possible but non-limiting implementation options regarding how the various shown functional components and elements can be arranged and connected to each other. However, the skilled person  
5 will readily appreciate that many variations and modifications can be made within the scope of the present invention.

Fig. 41 schematically shows an energy balance measuring circuit of one of the proposed designs of the system for controlling transmission of wireless energy, or  
10 energy balance control system. The circuit has an output signal centered on 2.5V and proportionally related to the energy imbalance. The derivative of this signal shows if the value goes up and down and how fast such a change takes place. If the amount of received energy is lower than the energy used by implanted components of the apparatus, more energy is transferred and thus charged into the energy source. The  
15 output signal from the circuit is typically feed to an A/D converter and converted into a digital format. The digital information can then be sent to the external energy-transmission device allowing it to adjust the level of the transmitted energy. Another possibility is to have a completely analog system that uses comparators comparing the energy balance level with certain maximum and minimum thresholds sending  
20 information to external energy-transmission device if the balance drifts out of the max/min window.

The schematic Fig. 41 shows a circuit implementation for a system that transfers energy to the implanted energy components of the apparatus of the present invention from outside of the patient's body using inductive energy transfer. An inductive  
25 energy transfer system typically uses an external transmitting coil and an internal receiving coil. The receiving coil, L1, is included in the schematic Fig. 24; the transmitting parts of the system are excluded.

The implementation of the general concept of energy balance and the way the information is transmitted to the external energy transmitter can of course be  
30 implemented in numerous different ways. The schematic Fig. 41 and the above

described method of evaluating and transmitting the information should only be regarded as examples of how to implement the control system.

#### CIRCUIT DETAILS

In Fig. 41 the symbols Y1, Y2, Y3 and so on symbolize test points within the circuit.

5 The components in the diagram and their respective values are values that work in this particular implementation which of course is only one of an infinite number of possible design solutions.

Energy to power the circuit is received by the energy receiving coil L1. Energy to implanted components is transmitted in this particular case at a frequency of 25 kHz.

10 The energy balance output signal is present at test point Y1.

Those skilled in the art will realize that the above various embodiments of the system could be combined in many different ways. For example, the electric switch 1006 of Fig. 24 could be incorporated in any of the embodiments of Figs. 27-33, the hydraulic valve shifting device 1014 of Fig. 27 could be incorporated in the  
15 embodiment of Fig. 26, and the gear box 1024 could be incorporated in the embodiment of Fig. 25. Please observe that the switch simply could mean any electronic circuit or component.

The embodiments described in connection with Figs. 38, 40 and 41 identify a method and a system for controlling transmission of wireless energy to implanted energy  
20 consuming components of an electrically operable apparatus. Such a method and system will be defined in general terms in the following.

A method is thus provided for controlling transmission of wireless energy supplied to implanted energy consuming components of an apparatus as described above. The wireless energy E is transmitted from an external energy source located outside the  
25 patient and is received by an internal energy receiver located inside the patient, the internal energy receiver being connected to the implanted energy consuming components of the apparatus for directly or indirectly supplying received energy thereto. An energy balance is determined between the energy received by the internal energy receiver and the energy used for the apparatus. The transmission of wireless

energy E from the external energy source is then controlled based on the determined energy balance.

The wireless energy may be transmitted inductively from a primary coil in the external energy source to a secondary coil in the internal energy receiver. A change  
5 in the energy balance may be detected to control the transmission of wireless energy based on the detected energy balance change. A difference may also be detected between energy received by the internal energy receiver and energy used for the medical device, to control the transmission of wireless energy based on the detected energy difference.

10 When controlling the energy transmission, the amount of transmitted wireless energy may be decreased if the detected energy balance change implies that the energy balance is increasing, or vice versa. The decrease/increase of energy transmission may further correspond to a detected change rate.

The amount of transmitted wireless energy may further be decreased if the detected  
15 energy difference implies that the received energy is greater than the used energy, or vice versa. The decrease/increase of energy transmission may then correspond to the magnitude of the detected energy difference.

As mentioned above, the energy used for the medical device may be consumed to operate the medical device, and/or stored in at least one energy storage device of the  
20 medical device.

When electrical and/or physical parameters of the medical device and/or physical parameters of the patient are determined, the energy may be transmitted for consumption and storage according to a transmission rate per time unit which is determined based on said parameters. The total amount of transmitted energy may  
25 also be determined based on said parameters.

When a difference is detected between the total amount of energy received by the internal energy receiver and the total amount of consumed and/or stored energy, and the detected difference is related to the integral over time of at least one measured

electrical parameter related to said energy balance, the integral may be determined for a monitored voltage and/or current related to the energy balance.

When the derivative is determined over time of a measured electrical parameter related to the amount of consumed and/or stored energy, the derivative may be  
5 determined for a monitored voltage and/or current related to the energy balance.

The transmission of wireless energy from the external energy source may be controlled by applying to the external energy source electrical pulses from a first electric circuit to transmit the wireless energy, the electrical pulses having leading and trailing edges, varying the lengths of first time intervals between successive  
10 leading and trailing edges of the electrical pulses and/or the lengths of second time intervals between successive trailing and leading edges of the electrical pulses, and transmitting wireless energy, the transmitted energy generated from the electrical pulses having a varied power, the varying of the power depending on the lengths of the first and/or second time intervals.

15 In that case, the frequency of the electrical pulses may be substantially constant when varying the first and/or second time intervals. When applying electrical pulses, the electrical pulses may remain unchanged, except for varying the first and/or second time intervals. The amplitude of the electrical pulses may be substantially constant when varying the first and/or second time intervals. Further, the electrical pulses may  
20 be varied by only varying the lengths of first time intervals between successive leading and trailing edges of the electrical pulses.

A train of two or more electrical pulses may be supplied in a row, wherein when applying the train of pulses, the train having a first electrical pulse at the start of the pulse train and having a second electrical pulse at the end of the pulse train, two or  
25 more pulse trains may be supplied in a row, wherein the lengths of the second time intervals between successive trailing edge of the second electrical pulse in a first pulse train and leading edge of the first electrical pulse of a second pulse train are varied.

When applying the electrical pulses, the electrical pulses may have a substantially constant current and a substantially constant voltage. The electrical pulses may also have a substantially constant current and a substantially constant voltage. Further, the electrical pulses may also have a substantially constant frequency. The electrical pulses within a pulse train may likewise have a substantially constant frequency.

The circuit formed by the first electric circuit and the external energy source may have a first characteristic time period or first time constant, and when effectively varying the transmitted energy, such frequency time period may be in the range of the first characteristic time period or time constant or shorter.

A system comprising an apparatus as described above is thus also provided for controlling transmission of wireless energy supplied to implanted energy consuming components of the apparatus. In its broadest sense, the system comprises a control device for controlling the transmission of wireless energy from an energy-transmission device, and an implantable internal energy receiver for receiving the transmitted wireless energy, the internal energy receiver being connected to implantable energy consuming components of the apparatus for directly or indirectly supplying received energy thereto. The system further comprises a determination device adapted to determine an energy balance between the energy received by the internal energy receiver and the energy used for the implantable energy consuming components of the apparatus, wherein the control device controls the transmission of wireless energy from the external energy-transmission device, based on the energy balance determined by the determination device.

In one embodiment at least one battery may be a part of or replace the energy-transforming device 1002 to supply energy to the apparatus 10 over a power supply line. In one embodiment the battery is not rechargeable. In an alternative embodiment the battery is rechargeable. The battery supply may of course be placed both remote to and incorporated in the device.

Further, the system may comprise any of the following:

- A primary coil in the external energy source adapted to transmit the wireless energy inductively to a secondary coil in the internal energy receiver.
- The determination device is adapted to detect a change in the energy balance, and the control device controls the transmission of wireless energy based on the detected energy balance change
- The determination device is adapted to detect a difference between energy received by the internal energy receiver and energy used for the implantable energy consuming components of the apparatus, and the control device controls the transmission of wireless energy based on the detected energy difference.
- The control device controls the external energy-transmission device to decrease the amount of transmitted wireless energy if the detected energy balance change implies that the energy balance is increasing, or vice versa, wherein the decrease/increase of energy transmission corresponds to a detected change rate.
- The control device controls the external energy-transmission device to decrease the amount of transmitted wireless energy if the detected energy difference implies that the received energy is greater than the used energy, or vice versa, wherein the decrease/increase of energy transmission corresponds to the magnitude of said detected energy difference.
- The energy used for the apparatus is consumed to operate the apparatus, and/or stored in at least one energy storage device of the apparatus.
- Where electrical and/or physical parameters of the apparatus and/or physical parameters of the patient are determined, the energy-transmission device transmits the energy for consumption and storage according to a transmission rate per time unit which is determined by the determination device based on said parameters. The determination device also determines the total amount of transmitted energy based on said parameters.
- When a difference is detected between the total amount of energy received by the internal energy receiver and the total amount of consumed and/or stored energy, and

the detected difference is related to the integral over time of at least one measured electrical parameter related to the energy balance, the determination device determines the integral for a monitored voltage and/or current related to the energy balance.

5 - When the derivative is determined over time of a measured electrical parameter related to the amount of consumed and/or stored energy, the determination device determines the derivative for a monitored voltage and/or current related to the energy balance.

- The energy-transmission device comprises a coil placed externally to the human  
10 body, and an electric circuit is provided to power the external coil with electrical pulses to transmit the wireless energy. The electrical pulses have leading and trailing edges, and the electric circuit is adapted to vary first time intervals between successive leading and trailing edges and/or second time intervals between  
15 successive trailing and leading edges of the electrical pulses to vary the power of the transmitted wireless energy. As a result, the energy receiver receiving the transmitted wireless energy has a varied power.

- The electric circuit is adapted to deliver the electrical pulses to remain unchanged except varying the first and/or second time intervals.

- The electric circuit has a time constant and is adapted to vary the first and second  
20 time intervals only in the range of the first time constant, so that when the lengths of the first and/or second time intervals are varied, the transmitted power over the coil is varied.

- The electric circuit is adapted to deliver the electrical pulses to be varied by only  
25 varying the lengths of first time intervals between successive leading and trailing edges of the electrical pulses.

- The electric circuit is adapted to supplying a train of two or more electrical pulses in a row, said train having a first electrical pulse at the start of the pulse train and having a second electrical pulse at the end of the pulse train, and

- the lengths of the second time intervals between successive trailing edge of the second electrical pulse in a first pulse train and leading edge of the first electrical pulse of a second pulse train are varied by the first electronic circuit.

5 - The electric circuit is adapted to provide the electrical pulses as pulses having a substantially constant height and/or amplitude and/or intensity and/or voltage and/or current and/or frequency.

10 - The electric circuit has a time constant, and is adapted to vary the first and second time intervals only in the range of the first time constant, so that when the lengths of the first and/or second time intervals are varied, the transmitted power over the first coil are varied.

- The electric circuit is adapted to provide the electrical pulses varying the lengths of the first and/or the second time intervals only within a range that includes the first time constant or that is located relatively close to the first time constant, compared to the magnitude of the first time constant.

15 Figs. 42-45 show in more detail block diagrams of four different ways of hydraulically or pneumatically powering an implanted apparatus according to the invention.

Fig. 42 shows a system as described above with. The system comprises an implanted apparatus 10 and further a separate regulation reservoir 1013, a one way pump 1009 and an alternate valve 1014.

20

Fig. 43 shows the apparatus 10 and a fluid reservoir 1013. By moving the wall of the regulation reservoir or changing the size of the same in any other different way, the adjustment of the apparatus may be performed without any valve, just free passage of fluid any time by moving the reservoir wall.

25 Fig. 44 shows the apparatus 10, a two way pump 1009 and the regulation reservoir 1013.

Fig. 45 shows a block diagram of a reversed servo system with a first closed system controlling a second closed system. The servo system comprises a regulation

reservoir 1013 and a servo reservoir 1050. The servo reservoir 1050 mechanically controls an implanted apparatus 10 via a mechanical interconnection 1054. The apparatus has an expandable/contactable cavity. This cavity is preferably expanded or contracted by supplying hydraulic fluid from the larger adjustable reservoir 1052 in fluid connection with the apparatus 10. Alternatively, the cavity contains compressible gas, which can be compressed and expanded under the control of the servo reservoir 1050.

The servo reservoir 1050 can also be part of the apparatus itself.

In one embodiment, the regulation reservoir is placed subcutaneous under the patient's skin and is operated by pushing the outer surface thereof by means of a finger. This system is illustrated in Figs 46a-c. In Fig. 46a, a flexible subcutaneous regulation reservoir 1013 is shown connected to a bulge shaped servo reservoir 1050 by means of a conduit 1011. This bellow shaped servo reservoir 1050 is comprised in a flexible apparatus 10. In the state shown in Fig. 46a, the servo reservoir 1050 contains a minimum of fluid and most fluid is found in the regulation reservoir 1013. Due to the mechanical interconnection between the servo reservoir 1050 and the apparatus 10, the outer shape of the apparatus 10 is contracted, i.e., it occupies less than its maximum volume. This maximum volume is shown with dashed lines in the figure.

Fig. 46b shows a state wherein a user, such as the patient in with the apparatus is implanted, presses the regulation reservoir 1013 so that fluid contained therein is brought to flow through the conduit 1011 and into the servo reservoir 1050, which, thanks to its bellow shape, expands longitudinally. This expansion in turn expands the apparatus 10 so that it occupies its maximum volume, thereby stretching the stomach wall (not shown), which it contacts.

The regulation reservoir 1013 is preferably provided with means 1013a for keeping its shape after compression. This means, which is schematically shown in the figure, will thus keep the apparatus 10 in a stretched position also when the user releases the regulation reservoir. In this way, the regulation reservoir essentially operates as an on/off switch for the system.

An alternative embodiment of hydraulic or pneumatic operation will now be described with reference to Figs. 47 and 48a-c. The block diagram shown in Fig. 47 comprises with a first closed system controlling a second closed system. The first system comprises a regulation reservoir 1013 and a servo reservoir 1050. The servo reservoir 1050 mechanically controls a larger adjustable reservoir 1052 via a mechanical interconnection 1054. An implanted apparatus 10 having an expandable/contactable cavity is in turn controlled by the larger adjustable reservoir 1052 by supply of hydraulic fluid from the larger adjustable reservoir 1052 in fluid connection with the apparatus 10.

10 An example of this embodiment will now be described with reference to Fig. 48a-c. Like in the previous embodiment, the regulation reservoir is placed subcutaneous under the patient's skin and is operated by pushing the outer surface thereof by means of a finger. The regulation reservoir 1013 is in fluid connection with a bellow shaped servo reservoir 1050 by means of a conduit 1011. In the first closed system 1013, 1011, 1050 shown in Fig. 48a, the servo reservoir 1050 contains a minimum of fluid and most fluid is found in the regulation reservoir 1013.

The servo reservoir 1050 is mechanically connected to a larger adjustable reservoir 1052, in this example also having a bellow shape but with a larger diameter than the servo reservoir 1050. The larger adjustable reservoir 1052 is in fluid connection with the apparatus 10. This means that when a user pushes the regulation reservoir 1013, thereby displacing fluid from the regulation reservoir 1013 to the servo reservoir 1050, the expansion of the servo reservoir 1050 will displace a larger volume of fluid from the larger adjustable reservoir 1052 to the apparatus 10. In other words, in this reversed servo, a small volume in the regulation reservoir is compressed with a higher force and this creates a movement of a larger total area with less force per area unit.

Like in the previous embodiment described above with reference to Figs. 46a-c, the regulation reservoir 1013 is preferably provided with means 1013a for keeping its shape after compression. This means, which is schematically shown in the figure, will thus keep the apparatus 10 in a stretched position also when the user releases the

regulation reservoir. In this way, the regulation reservoir essentially operates as an on/off switch for the system.

One single volume filling device has been described as invaginated in the stomach wall. Alternatively, two or more volume filling devices 10 may be invaginated to  
5 obtain the desired reduction of the food cavity. One such example is illustrated in Fig. 48, wherein three ball-shaped volume filling devices 10 are invaginated in the wall of the patient's stomach 12.

It has been described how the volume filling device 10 is invaginated in the stomach wall by means of a gastroscopic instrument. It will be appreciated that abdominal  
10 operation methods can be used as well. Such methods will now be described in detail with reference to Figs. 49a and 49b.

In a first alternative embodiment, the volume filling device is implanted using a laparoscopic method instead of the intraluminal method described above. According to this embodiment, a needle or a tube-like instrument is inserted into the abdomen of  
15 the patient's body, and said needle or tube-like instrument is then used to fill the patient's abdomen with gas. Subsequently, at least two laparoscopic trocars are inserted into the patient's body; and a camera is inserted through one of said at least two laparoscopic trocars. Then, at least one dissecting tool through one of said at least two laparoscopic trocars, and an area of the stomach is dissected. The volume  
20 filling device is then introduced into the abdominal cavity, and placed on the outside of the stomach wall. A pouch in the stomach wall for the device is created, and the device invaginated in said pouch by providing sutures or staples to the stomach wall, thereby positioning the volume filling device so that the volume of the food cavity is reduced in size by a volume substantially exceeding the volume of the volume filling  
25 device.

The above first alternative preferably further comprises affixing the device to the stomach wall by providing sutures or staples.

The above embodiment preferably further comprises providing an apparatus for regulating the obesity treatment device from the outside of the patient's body; and

operating said apparatus to regulate the obesity treatment device. Further, regulation of the obesity treatment device includes changing the volume of a filling body of the volume filling device when implanted.

The above embodiment preferably further comprises providing an injection type  
5 syringe comprising a fluid for injection into an implanted filling body; and injecting volume of fluid into said filling body.

According to an embodiment, the device is enclosed in the pouch or partially enclosed in that the pouch is left at least partly open. Further, the pouch can be designed to exhibit only one opening. Alternatively the pouch is designed to exhibit  
10 two openings and to extend non-circumferentially around the stomach.

Preferably the pouch has a volume of more than 15 milliliters.

In a second alternative, also using a laparoscopic method instead of the intraluminal method, the initial steps are the same as described in the first alternative, but following dissection of the stomach, a hole is created in the stomach wall and a  
15 volume filling device introduced into the abdominal cavity and through said hole into the stomach. The device is placed on the inside of the stomach wall, and a pouch is created on the outside of the stomach cavity for the device placed on the inside of the stomach wall, and the device is invaginated in the pouch by providing sutures or staples to the stomach wall, thereby positioning the volume filling device so that the  
20 volume of the food cavity is reduced in size by a volume substantially exceeding the volume of the volume filling device.

The above embodiment preferably further comprises affixing the device to the stomach wall by providing sutures or staples. According to one embodiment, the stomach wall is affixed to the lower part of the patient's esophagus by providing  
25 sutures or staples.

The above second alternative preferably further comprises providing an apparatus for regulating the obesity treatment device from the outside of the patient's body; and operating said apparatus to regulate the obesity treatment device. Further, regulation

of the obesity treatment device includes changing the volume of a filling body of the volume filling device when implanted.

The above embodiment preferably further comprises providing an injection type syringe comprising a fluid for injection into an implanted filling body; and injecting  
5 volume of fluid into said filling body.

According to an embodiment, the device is enclosed in the pouch or partially enclosed in that the pouch is left at least partly open. Further, the pouch can be designed to exhibit only one opening. Alternatively the pouch is designed to exhibit two openings and to extend non-circumferentially around the stomach.

10 Preferably the pouch has a volume of more than 15 milliliters.

A third alternative involves a surgical incision instead of either the intraluminal or the laparoscopic method. Here, an opening in the patient's abdominal wall is made by surgical incision, and an area of the patient's stomach is dissected. The volume filling device is introduced through said abdominal incision, and attached to the  
15 stomach wall, thereby positioning the volume filling device so that the volume of the food cavity is reduced in size by a volume substantially exceeding the volume of the volume filling device.

In an alternative embodiment of the above, third alternative, the initial steps are the same including the dissection of an area of the stomach. Following this, a pouch in  
20 the stomach wall is created for the device, and the device invaginated in the pouch by providing sutures or staples to the stomach wall, thereby positioning the volume filling device so that the volume of the food cavity is reduced in size by a volume substantially exceeding the volume of the volume filling device.

In yet another alternative embodiment of the above, third alternative, the initial steps  
25 are the same including the dissection of an area of the stomach. Following this, a hole in the stomach wall is created and the volume filling device introduced through the hole and into the stomach. The device is then placed on the inside of the stomach wall, and a pouch on the stomach wall created for the device. The device is then invaginated in the pouch by providing sutures or staples to the stomach wall, thereby

positioning the volume filling device so that the volume of the food cavity is reduced in size by a volume substantially exceeding the volume of the volume filling device.

The above embodiments of the third alternative further comprise affixing the device to the stomach wall by providing sutures or staples.

- 5 The above embodiment preferably further comprises providing an apparatus for regulating the obesity treatment device from the outside of the patient's body; and operating said apparatus to regulate the obesity treatment device. Further, regulation of the obesity treatment device includes changing the volume of a filling body of the volume filling device when implanted.
- 10 The above embodiment preferably further comprises providing an injection type syringe comprising a fluid for injection into an implanted filling body; and injecting volume of fluid into said filling body.

According to an embodiment, the device is enclosed in the pouch or partially enclosed in that the pouch is left at least partly open. Further, the pouch can be  
15 designed to exhibit only one opening. Alternatively the pouch is designed to exhibit two openings and to extend non-circumferentially around the stomach.

Preferably the pouch has a volume of more than 15 milliliters.

A fourth alternative embodiment is a method comprising the steps of inserting a needle or a tube-like instrument into the abdomen of the patient's body; using said  
20 needle or tube-like instrument to fill the patient's abdomen with gas; placing at least two laparoscopic trocars in the patient's body; inserting a camera through one of said at least two laparoscopic trocars into the patient's abdomen; inserting at least one dissecting tool through one of said at least two laparoscopic trocars; dissecting an area of the stomach; creating a pouch from the stomach wall for the device; closing  
25 the pouch by providing sutures and staples; introducing a injecting member comprising an injectable filling material; and injecting the filling material into the pouch, thereby creating a filling body that fills a volume in the patient's stomach, reducing the food cavity in size by a volume substantially exceeding the volume of the volume filling device.

Instead of the above disclosed laparoscopic method, a surgical incision or opening is cut in the skin to enter the patients abdomen; an area of the stomach dissected; a pouch created from the stomach wall for the device; and said pouch closed by providing sutures and staples. An injecting member comprising an injectable filling material is then introduced; and the filling material injected into the pouch, thereby creating a filling body that reduces the food cavity in size by a volume substantially exceeding the volume of the volume filling device.

According to an alternative embodiment of the above, the pouch is created on the outside of the stomach wall, with the filling body placed against the inside of the stomach wall.

The method according to either of the two previous embodiments comprises creating a hole in the stomach wall wherein the pouch is created on the inside of the stomach wall, with the filling body placed against the outside of the stomach wall.

The method according to either of the two previous embodiments may further comprise affixing the stomach wall to the lower part of the patient's esophagus by providing sutures or staples or affixing the stomach wall to the patient's diaphragm muscle or associated muscles.

Preferably the pouch has a volume of more than 15 milliliters.

In a method according to either of the two previous embodiments the filling material is preferably capable of undergoing a curing process from a fluid state to a semi-solid or solid state. Preferably said curing process is triggered by an increase in temperature from ambient temperature to body temperature.

The invention also makes available a method of treating obesity in a patient by implanting a volume filling device that, when implanted in a patient, reduces the food cavity in size by a volume substantially exceeding the volume of the volume filling device, the method comprising the steps of:

inserting a needle or a tube-like instrument into the abdomen of the patient's body;

using said needle or tube-like instrument to fill the patient's abdomen with gas;

- placing at least two laparoscopic trocars in the patient's body;
- inserting a camera through one of said at least two laparoscopic trocars into the patient's abdomen;
- inserting at least one dissecting tool through one of said at least two laparoscopic  
5 trocars;
- dissecting an area of the stomach;
- creating a hole in the stomach wall;
- introducing a device into the abdominal cavity;
- introducing the device through the hole and into the stomach;
- 10 placing the device on the outside of the stomach wall;
- fixating the device placed on the outside of the stomach wall, and
- thereby creating a filling body that reduces the food cavity in size by a volume substantially exceeding the volume of the volume filling device.

In the above method, the device is preferably affixed to the stomach wall by  
15 providing sutures or staples.

The invention also comprises a laparoscopic instrument for providing a volume filling device to be invaginated in the stomach wall of a human patient to treat obesity, suitable for use with any of the laparoscopic methods described above, the instrument comprising:

- 20 an elongated member having a proximal end and a distal end, the elongated member having a diameter less than that of a laparoscopic trocar to be introduced into the patient's abdomen during a laparoscopic operation;

a stomach pushing device for pushing the stomach wall to create a tube-like shaped portion of the stomach wall protruding into the normal stomach cavity, said pushing

device comprising the volume filling device to be invaginated by the stomach wall in the tube-like shaped portion thereof;

wherein the pushing device comprises a vacuum device to suck the stomach fundus to assist the instrument in forming the tube-like shaped portion of the stomach wall together with the pushing device, and wherein the vacuum device comprises a vacuum passageway leading from the proximal to the distal end of the instrument and at the end portion of the instrument, which includes the pushing device, said vacuum passageway is divided up in multiple small openings adapted to suck the stomach wall portion to become adherent to the pushing device to further form the tube-like stomach wall portion; and

wherein the instrument comprises an insertion device adapted to introduce the volume filling device into the tube-like shaped stomach portion.

This instrument preferably comprises at least one clamping device for holding the opening of the tube-like portion substantially closed by clamping together stomach to stomach in said opening, wherein the instrument is adapted to place the at least one clamping device at the opening in such a way that it allows later suturing of the opening.

Further, the instrument preferably comprises an inflation device for inflating the volume filling device before or after the suturing. Further still, the instrument preferably comprises a suturing device adapted to suture the opening of the tube-like portion with stomach to stomach sutures for creating at least partly a closed space enclosing the volume filling device, wherein the instrument is adapted to be withdrawn leaving the volume filling device at least partly invaginated in the stomach wall.

Said suturing device preferably comprises a first and second suture positioning member provided on the elongated member situated in the stomach at the distal end thereof, and wherein the instrument further comprises an operation device adapted to adjust the first and second suturing member in a position in which the first and second suture positioning members are in front of each other with the stomach wall

on both sides of the open end of the cup like portion, and adapted to suture the open end of the cup like portion of the wall with a row of stomach to stomach sutures.

Preferably said suturing device comprises an operable re-loadable multi-suturing device, which is reloadable with sutures from outside of the patient's body and which  
5 is adapted to suture the open end of the cup like portion of the wall with said row of stomach to stomach sutures, wherein the row of sutures comprises two or more sutures or staples to be sutured simultaneously.

More preferably, said suturing device comprises multiple sutures for suturing two or more sutures simultaneously.

10 It is understood that a skilled person is in the position of combining steps, changing the order of steps, and combining elements of the different embodiments of the invention without inventive effort, and without departing from the scope of the invention as defined in the description and claims.

## CLAIMS

1. An intraluminal method of treating obesity of a patient having a stomach with a food cavity by implanting a volume filling device to reduce the size of the food cavity, the method comprising the steps of:
  - 5 - introducing an instrument into the esophagus and into the stomach of the patient,
  - introducing the volume filling device into the stomach of the patient, and
  - invaginating the volume filling device in a pouch of the stomach wall.
2. The method according to claim 1, wherein the step of invaginating the volume filling device comprises the steps of:
  - 10 - providing a pouch from part of the stomach wall for accommodating the volume filling device, and
  - placing the volume filling device in the pouch.
3. The method according to claim 2, wherein the step of placing the volume filling device in the pouch comprises the steps of:
  - 15 - inserting an inflatable volume filling device into the pouch in a deflated state, and
  - inflating the deflated volume filling device to an inflated state.
4. The method according to claim 3, comprising the step of connecting an inlet port for a fluid or gel of the volume filling device to a gastroscopic instrument.
- 20 5. The method according to claim 2, wherein the step of placing the volume filling device in the pouch comprises the steps of:
  - injecting the volume filling device into the pouch as a fluid adapted to be transformed into solid state, and
  - curing the fluid adapted to be transformed into solid state.

6. The method according to claim 1, wherein the step of invaginating the volume filling device comprises the steps of:
- placing the volume filling device resting against part of the stomach wall, and
  - providing a pouch from said part of the stomach wall for accommodating the volume filling device.
- 5
7. The method according to claim 1, comprising enclosing the volume filling device in the pouch.
8. The method according to claim 1, comprising forming a pouch which is at least partly open.
- 10 9. The method according to claim 8, comprising forming a pouch which exhibits only one opening.
10. The method according to claim 7, comprising forming a pouch which exhibits two openings and extends non-circumferentially around the stomach.
11. The method according to claim 1, wherein the volume of the pouch is more than 15 milliliters.
- 15
12. The method according to claim 1, comprising the step of inflating the stomach with gas.
13. The method according to claim 1, wherein the step of providing a pouch comprises generating vacuum.
- 20 14. The method according to claim 1, wherein the step of invaginating the volume filling device in the pouch to the stomach wall comprises suturing or stapling.
15. The method according to claim 1, wherein the step of invaginating the volume filling device in the pouch to the stomach wall comprises invaginating the volume filling device in the stomach wall with stomach-to-stomach sutures or staplers.
- 25

16. The method according to claim 1, wherein the step of introducing the volume filling device into the stomach is performed by means of the instrument.
17. The method according to claim 1, wherein the instrument is integrated in a gastroscope.
- 5 18. The method according to claim 1, wherein the instrument is a dedicated instrument.
19. The method according to claim 1, wherein a plurality of volume filling devices are invaginated.
- 20 The method according to claim 1, wherein the volume filling device is  
10 inserted into the stomach as separate portions.
21. The method according to claim 1, wherein the step of invaginating the volume filling device comprises providing a pouch from part of the stomach wall on the outside of the food cavity.
22. The method according to claim 1, wherein the step of introducing the volume  
15 filling device into the stomach of the patient comprises placing the volume filling device on the inside of the stomach wall, preferably using said instrument.
23. The method according to claim 1 comprising the steps of:
- creating a hole in the stomach wall;
  - introducing the volume filling device into the stomach by means of the  
20 instrument;
  - moving the device through the hole and placing it on the outside of the stomach wall;
  - creating a pouch of a portion of the stomach wall inside the stomach cavity, with the device placed against the outside of the stomach wall;
  - 25 - invaginating the device in the pouch to the stomach wall; and

- sealing the hole, preferably with sutures or staples.

24. The method according to claim 1 comprising the steps of:

- creating a hole in the stomach wall;
- creating, by means of said instrument, a pouch of a portion of the stomach wall  
5 on the inside of the stomach cavity;
- introducing the device into the stomach by means of the instrument;
- moving the device through the hole and placing it on the outside of the stomach wall;
- introducing the device by means of the instrument into the pouch;
- 10 - invaginating the device to the stomach wall; and
- sealing the hole, preferably with sutures or staples

25. The method according to claim 1, further comprising providing an apparatus for regulating the volume filling device from the outside of the patient's body; and operating said apparatus to regulate the volume filling device.

- 15 26. The method according to claim 25, wherein regulation of the volume filling device includes changing the volume of the filling body when implanted.

27. The method according to claim 26, comprising providing an injection type syringe comprising a fluid for injection into an implanted filling body; and injecting volume of fluid into filling body.

- 20 28. The method according to claim 1, further comprising the steps of:

- cutting the skin of the patient,
- inserting a tube into the abdominal cavity of the patient,
- connecting the tube to the volume filling device,
- filling the volume filling device with fluid injected through the tube.

29. The method according to claim 28, further comprising the steps of:

- subcutaneously placing an injection port and
- connecting the tube to the injection port.

30. The method according to claim 28, further comprising the steps of:

- 5
- subcutaneously placing an adjustable fluid reservoir, and
  - connecting the tube to the adjustable fluid reservoir.

31. The method according to claim 28, further comprising the step of providing a tube connected to said volume filling device through said hole and further up to the abdominal wall or passing through the abdominal wall.

10 32. The method according to claim 28, further comprising the steps of:

- cutting the skin of the patient,
- receiving the tube from the abdominal cavity of the patient, connected to the volume filling device, and
- filling the volume filling device with fluid injected through the tube.

15 33. The method according to claim 28, further comprising the steps of:

- subcutaneously placing an injection port, and
- connecting the tube to the injection port.

20 34. A gastroscopic instrument for placing a volume filling device outside a stomach wall portion of a patient, the volume filling device being expandable to an expanded state, wherein the instrument is adapted to provide a hole in the stomach wall portion, and to bring the volume filling device through the hole provided in the stomach wall portion so as to place the volume filling device outside the stomach wall portion.

35. The gastroscopic instrument according to claim 34, wherein the instrument is further adapted to inflate the volume filling device when the volume filling device is placed outside the stomach wall portion.

36. The gastroscopic instrument according to claim 34, wherein the instrument is further adapted to invaginate the volume filling device by the stomach wall.

37. A surgical gastroscopic instrument for treating a human patient suffering from obesity, comprising:

- an elongated member having a proximal end and a distal end, the elongated member having a diameter less than that of the patient's esophagus and being flexible such that to allow introduction of the flexible elongated member with its distal end first from the patient's throat into the esophagus and the stomach,
- a first suture positioning member provided on the elongated member such that it is situated in the stomach proximal to the cardia when the elongated member has been introduced in the esophagus with the distal end of the elongated member situated in the stomach,
- a second suture positioning member provided on the elongated member at the distal end thereof,
- an operation device adapted to bend the flexible elongated member into a position in which the first and second suture positioning members are in front of each other with the stomach wall and esophagus wall moved together by the first and second suture positioning members, and
- a re-loadable multi-suturing device for suturing together the patient's esophagus proximal to the cardia with the fundus stomach wall by a row of sutures, where the fundus wall and esophagus wall are moved together by the first and second suture positioning members, the multi-suturing device being reloadable with sutures from outside the body to apply further rows of sutures in front or back of the first row of sutures, wherein the row of sutures comprise two or more sutures to be sutured simultaneously by the multi-suturing device.

38. The instrument according to claim 37, further comprising an optical device for viewing inside the esophagus or stomach.
39. The instrument according to claim 38, further comprising electrical wires extending along the elongated member, wherein the optical device comprises a camera placed distally on the elongated member and connected to the wires, the wires leading out from the patient's body for external exposure of images from the camera.
40. The instrument according to claim 37, further comprising a light source placed distally on the elongated member for illuminating the inside of the stomach.
41. The instrument according to claim 38, wherein the optical device comprises optical fibers placed along the elongated member and leading out from the patient's body for external viewing of the inside of the stomach.
42. The instrument according to claim 37, further comprising a holding device secured to the elongated member and operable between an activated state, in which it is adapted to engage and hold the patient's esophagus or stomach, and an inactivated state, in which it is adapted to be released from the stomach, the holding device being operable by the operation device to shift between said activated and inactivated states from outside the patient's body, and a handle connected to the elongated member at the proximal end thereof to be held manually for moving the elongated member distally, wherein the holding device, when operated by the operation device in said activated state, is adapted to engage and hold the stomach wall.
43. The instrument according to claim 42, wherein the operable holding device is adapted to radially expand relative to the elongated member from said inactivated state to said activated state, such that the holding device, when radially expanded, engages and holds the stomach by force and friction.

5 44. The instrument according to claim 42, wherein the operable holding device comprises at least one introducing member adapted to invasively introduce into the wall of the stomach or esophagus to secure the holding device on the the stomach, when the holding device is in its activated state.

45. A surgical gastroscopic instrument for applying a volume filling device invaginated in the stomach wall of a human patient to treat obesity, the instrument comprising:

10 - an elongated member having a proximal end and a distal end, the elongated member having a diameter less than that of the patient's esophagus and being flexible such as to allow introduction of the flexible elongated member with its distal end first through the patient's throat, esophagus and into the stomach to the wall,

15 - an operable stomach wall penetration device provided on the elongated member at the distal end thereof for penetrating the stomach wall to create a hole in the stomach wall, to allow introduction of the elongated member through the hole, and

20 - an operable holding device provided on the elongated member proximal to the penetration device, when penetrating said stomach wall, to hold the elongated member in a position in which the elongated member extends through the stomach wall and is prevented from moving through the hole in the proximal direction, wherein the special holding device includes an abutment member expandable radially from the elongated member to abut

25 against the wall on the outside thereof, and

- an insertion device for inserting the volume filling device through the hole in the stomach wall to the outside thereof to be invaginated in the wall.

30 46. The instrument according to claim 45, further comprising a forming device provided on the elongated member proximal to the special holding device to abut against the wall on the inside thereof, the forming device together with the holding device is adapted to form the stomach wall into a cup like shape,

wherein the holding device is retractable relative to the forming device to pull the stomach wall against the forming device to form said cup like shaped portion of the stomach.

5 47. The instrument according to claim 45, further comprising a suturing device adapted to suture the open end of the cup like portion of the stomach wall with stomach to stomach sutures to create a space that is at least partly enclosed by a portion of the stomach wall.

10 48. The instrument according to claim 47, wherein the suturing device comprises multiple sutures for simultaneously suturing two or more sutures.

15 49. The instrument according to claim 47, wherein the suturing device is adapted to suture the open end of the cup like portion of the stomach wall before the volume filling device is inserted by the insertion device through the hole in the stomach wall.

20 50. The instrument according to claim 45, further comprising an inflation device for inflating the volume filling device after being introduced by the insertion device through the hole of the stomach wall.

51. The instrument according to claim 45, further comprising an optical device for viewing inside the stomach.

25 52. The instrument according to claim 45, further comprising electrical wires extending along the elongated member, wherein the optical device comprises a camera placed distally on the elongated member and connected to the wires, the wires leading out from the patient's body for external exposure of images from the camera.

30

53. The instrument according to claim 45 or 47, further comprising a light source placed distally on the elongated member for illuminating the inside of the stomach.
- 5 54. The instrument according to claim 51, wherein the optical device comprises optical fibers placed along the elongated member and leading out from the patient's body for external viewing of the inside of the esophagus or stomach.
- 10 55. The instrument according to claim 47, wherein the suturing device comprises an operable re-loadable multi-suturing device, which is reloadable with sutures from outside the patient's body and which is adapted to suture the open end of the cup like portion of the stomach wall with a row of stomach to stomach sutures, wherein the row of sutures comprises two or more sutures or staples to be sutured simultaneously.
- 15 56. The instrument according to claim 45, wherein the volume filling device is inflatable, wherein the penetration device comprises a wire adapted to be introduced through the hole in the stomach wall and to be advanced at least up to the abdominal wall or be passed there-through, the wire serves as a guide for a hydraulic tube, which is connected to the inflatable volume filling device and which is connectable to an injection port to be placed subcutaneously for filling the inflatable volume filling device with a fluid and adjusting the amount thereof, when the volume filling device has been inserted by the insertion device through the hole of the stomach wall.
- 20 25 57. A gastroscopic instrument for applying an inflatable volume filling device invaginated in the stomach wall of a human patient to treat obesity, the instrument comprising:
- an elongated member having a proximal end and a distal end, the elongated member having a diameter less than that of the patient's esophagus and being flexible such that introduction of the flexible elongated member with its distal end first through the patient's throat, esophagus and into the stomach to the
- 30

stomach wall is allowed, and

- an operable stomach penetration device provided on the elongated member at the distal end thereof for penetrating the stomach wall to create a hole in the stomach wall, to allow introduction of the elongated member through the  
5 hole,

- wherein the penetration device includes a wire to be introduced through the hole in the stomach wall and to be advanced at least up to the abdominal wall or be passed there-through, the wire serving as a guide for a hydraulic tube, which is connected to the inflatable volume filling device and which is  
10 connectable to an injection port to be placed subcutaneously for filling the inflatable volume filling device with a fluid and adjusting the amount thereof, wherein at least one of the wire and tube can be pulled to move the volume filling device inflated with fluid towards the stomach wall to be placed on the inside of the stomach wall where the volume filling device is to be  
15 invaginated in the stomach wall.

58. The instrument according to claim 57, wherein at least one of the wire and tube when pulled to move the inflated volume filling device towards the stomach wall allow a portion of the stomach wall to move to form a cup like  
20 shaped portion of the stomach protruding out from the normal stomach cavity.

59. The instrument according to claim 57, further comprising an operable forming device having a cup like shape for forming the cup like shaped  
25 portion of the stomach.

60. The instrument according to claim 57, further comprising a suturing device adapted to suture the open end of the cup like portion of the stomach wall with stomach to stomach sutures to create a space that is at least in part  
30 enclosed by a portion of the stomach wall.

61. The instrument according to claim 57, wherein the suturing device comprises multiple sutures for suturing two or more sutures simultaneously.
- 5 62. The instrument according to claim 57, wherein the suturing device is adapted to suture the open end of the cup like portion of the stomach wall before the volume filling device is inserted through the hole of the stomach wall.
- 10 63. The instrument according to claim 57 or 60, wherein the volume filling device is inflatable, further comprising an inflation device for inflating the volume filling device after being introduced through the hole of the stomach wall.
- 15 64. The instrument according to claim 57, further comprising an optical device for viewing inside the esophagus or stomach.
- 20 65. The instrument according to claim 57, further comprising electrical wires extending along the elongated member, wherein the optical device comprises a camera placed distally on the elongated member and connected to the wires, the wires leading out from the patient's body for external exposure of images from the camera.
- 25 66. The instrument according to claim 57 or 65, further comprising a light source placed distally on the elongated member for illuminating the inside of the esophagus or stomach.
- 30 67. The instrument according to claim 64, wherein the optical device comprises optical fibers placed along the elongated member and leading out from the patient's body for external viewing of the inside of the esophagus or stomach.
68. The instrument according to claim 57, comprising a first and second suture positioning member provided on the elongated member situated in the stomach at the distal end thereof,

5 - an operation device adapted to adjust the first and second suturing member in a position in which the first and second suture positioning members are in front of each other with the stomach wall on both sides of the open end of the cup like portion, and adapted to suture the open end of the cup like portion of the stomach wall with a row of stomach to stomach sutures.

10 69. The instrument according to claim 60, wherein the suturing device comprises an operable re-loadable multi-suturing device, which is reloadable with sutures from outside the patient's body and which is adapted to suture the open end of the cup like portion of the stomach wall with said row of stomach to stomach sutures, wherein the row of sutures comprises two or more sutures or staples to be sutured simultaneously.

15 70. A gastroscopical instrument for applying a volume filling device invaginated in the stomach stomach wall of a human patient to treat reflux disease, the instrument comprising:

20 - an elongated member having a proximal end and a distal end, the elongated member having a diameter less than that of the patient's esophagus and being flexible such that introduction of the flexible elongated member with its distal end first through the patient's throat, esophagus and into the stomach to the stomach wall is allowed,

25 - an operable stomach pushing device for pushing the stomach wall to create a cup like shaped portion of the stomach wall protruding out from the normal stomach cavity, the pushing device including the volume filling device to be invaginated by the stomach wall in the cup like shaped portion thereof, and

- a suturing device adapted to suture the opening of the cup like shaped portion of the stomach wall with stomach to stomach sutures to enclose at least in part the volume filling device.

30 71. The instrument according to claim 70, further comprising a forming device provided on the elongated member proximal to the pushing device to pull the stomach wall on the inside thereof, the forming device together with the

pushing device is adapted to form the stomach wall in a optimal cup like shape, wherein the pushing device is pushed to form said cup like shaped portion of the stomach.

- 5           72. The instrument according to claim 70, comprising a first and second suture positioning member provided on the elongated member situated in the stomach at the distal end thereof,  
- an operation device adapted to adjust the first and second suturing member in a position in which the first and second suture positioning members are in front of each other with the stomach wall on both sides of the open end of the cup like portion, and adapted to suture the open end of the cup like portion of the stomach wall with a row of stomach to stomach sutures.
- 10
- 15           73. The instrument according to claim 70, wherein the suturing device comprises an operable re-loadable multi-suturing device, which is reloadable with sutures from outside the patient's body and which is adapted to suture the open end of the cup like portion of the stomach wall with said row of stomach to stomach sutures, wherein the row of sutures comprises two or more sutures or staples to be sutured simultaneously.
- 20
74. The instrument according to claim 70, wherein the suturing device comprises multiple sutures for suturing two or more sutures simultaneously.
75. The instrument according to claim 70 wherein the instrument comprises an inflating device for inflating the volume filling device after the suturing.
- 25
76. The instrument according to claim 70, further comprising an optical device for viewing inside the esophagus or stomach.
- 30           77. The instrument according to claim 70, further comprising electrical wires extending along the elongated member, wherein the optical device comprises a camera placed distally on the elongated member and connected to the wires,

the wires leading out from the patient's body for external exposure of images from the camera.

- 5 78. The instrument according to claim 70 or 77, further comprising a light source placed distally on the elongated member for illuminating the inside of the esophagus or stomach.
- 10 79. The instrument according to claim 76, wherein the optical device comprises optical fibers placed along the elongated member and leading out from the patient's body for external viewing of the inside of the esophagus or stomach.
- 15 80. The instrument according to claim 71, wherein the forming device comprises a vacuum sucking device to suck the stomach wall to help the instrument to form the cup like shaped portion of the stomach wall together with the pushing device.
- 20 81. The method according to claim 1, wherein the step of invaginating the volume filling device in the pouch to the stomach wall comprises invaginating the volume filling device in the stomach wall with stomach-to-stomach sutures or staplers, with the device placed on the inside of the stomach wall, with the outer surface of the device resting against the inside stomach wall.
- 25 82. The method according to claim 1, wherein the step of invaginating the volume filling device in the pouch to the stomach wall comprises invaginating the volume filling device in the stomach wall with stomach-to-stomach sutures or staplers, with the device placed on the outside of the stomach wall, with the outer surface of the device resting against the outside stomach wall.

30

1/41

Fig.1

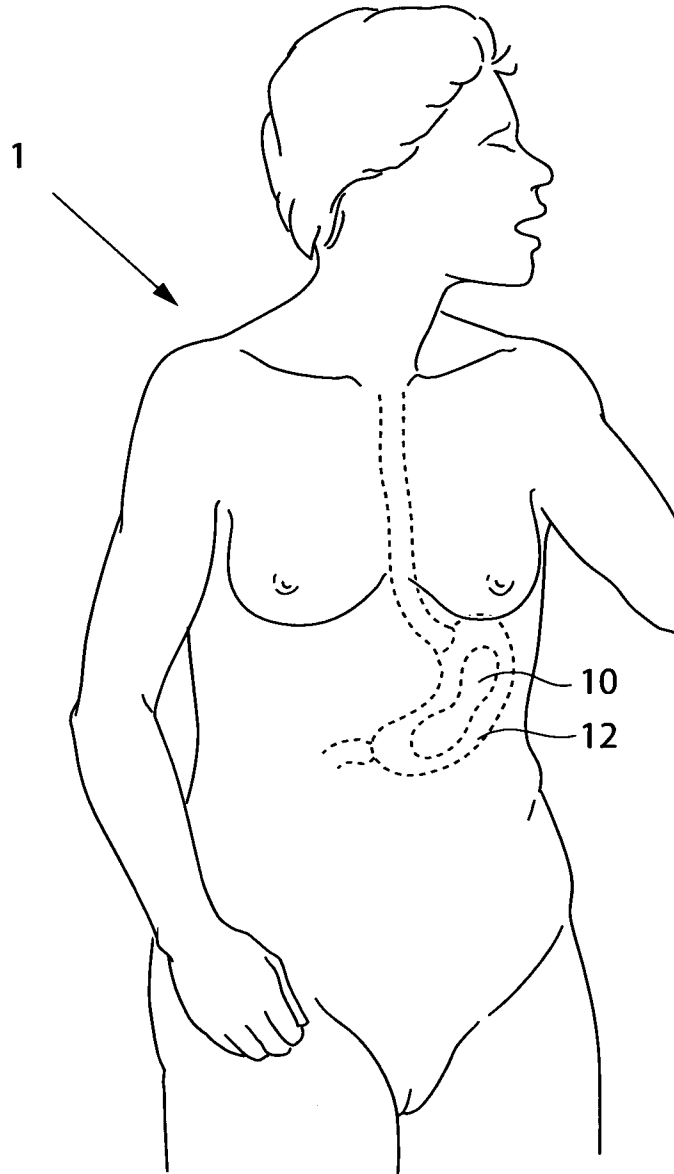


Fig.2a

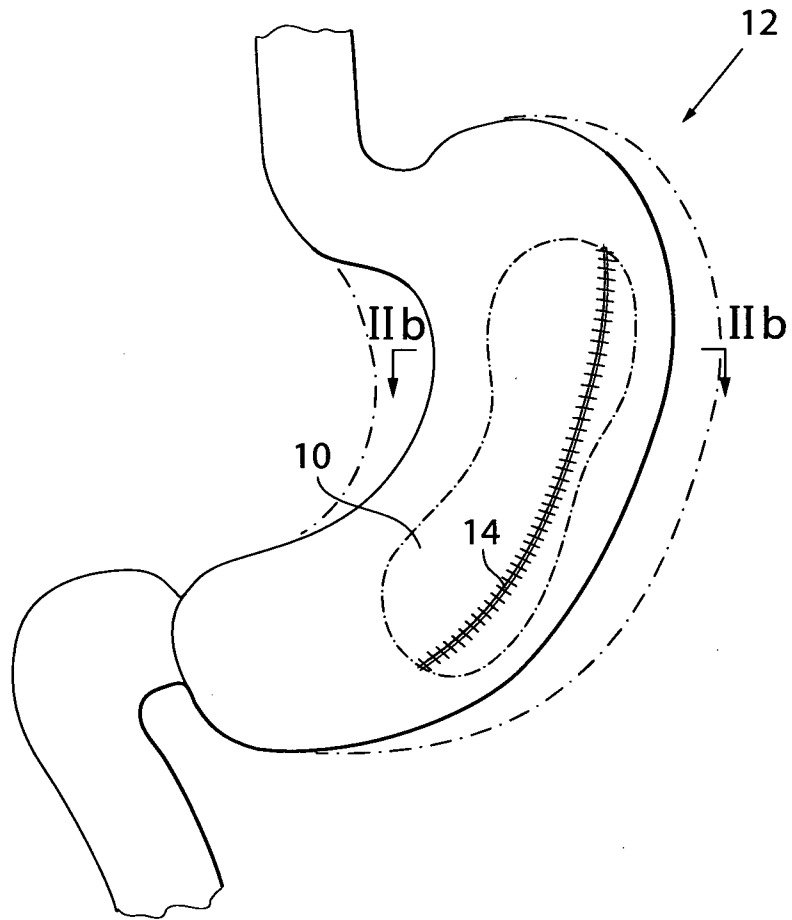


Fig.2b

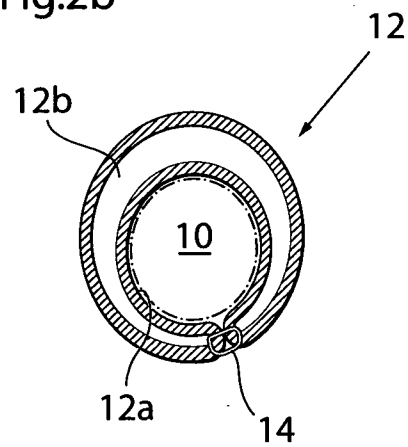


Fig.3a

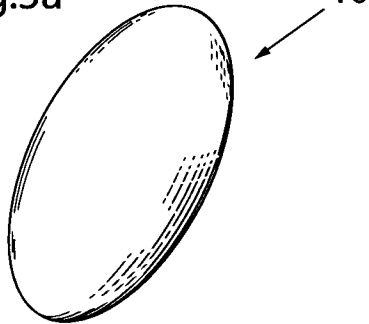


Fig.3b

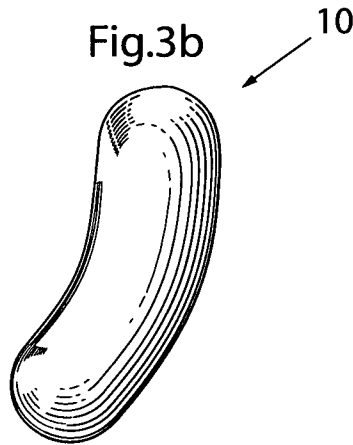


Fig.3c

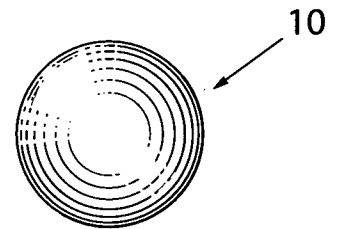


Fig.3d

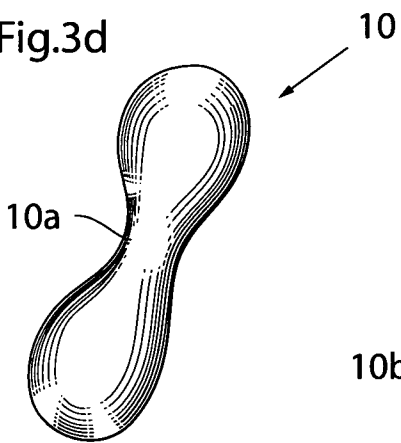


Fig.3e

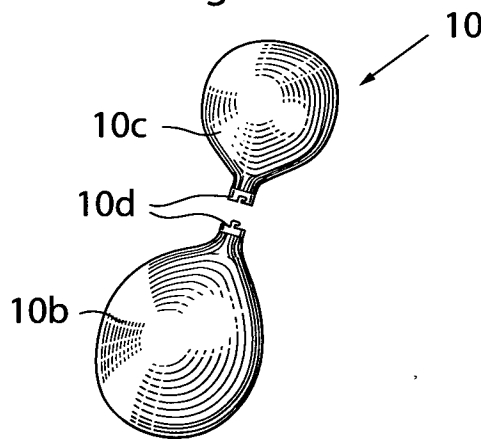


Fig.3f

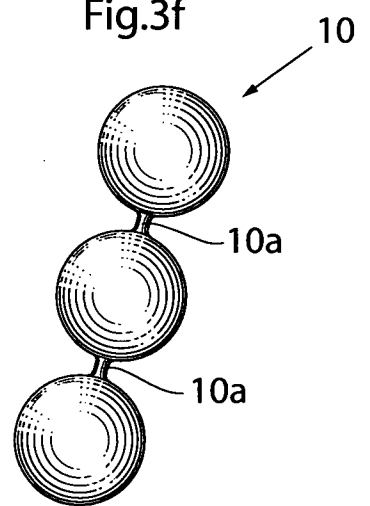


Fig.3g

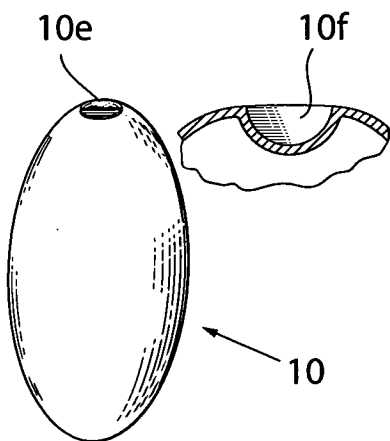


Fig.3h

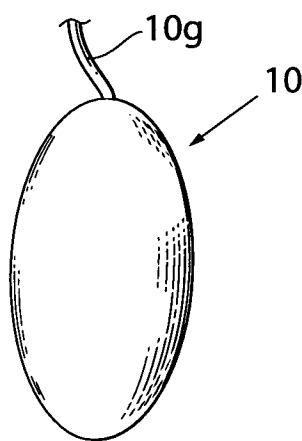


Fig.3i

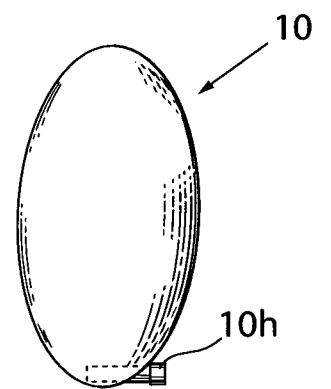


Fig.3j

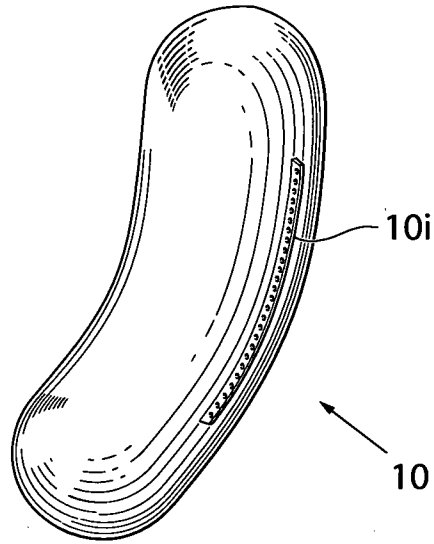


Fig.3k

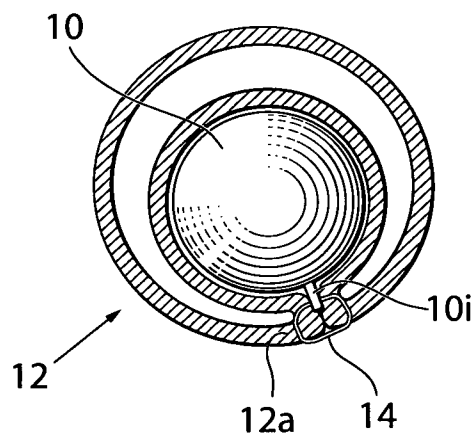


Fig.3m

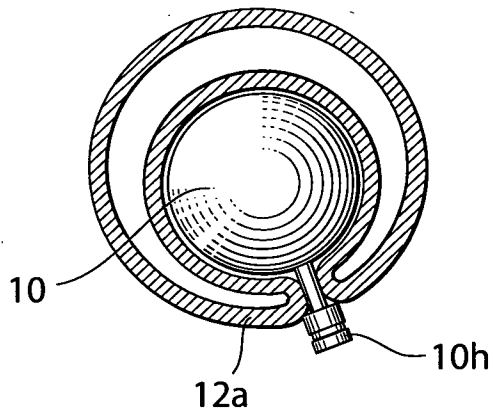


Fig.3n

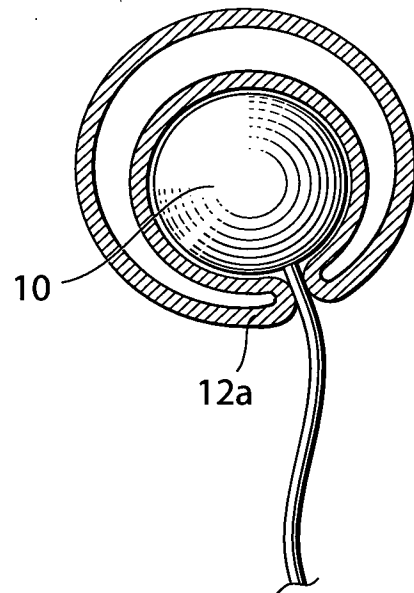


Fig.3p

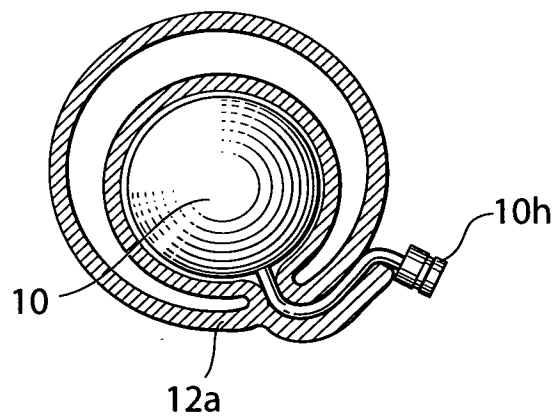


Fig.4a

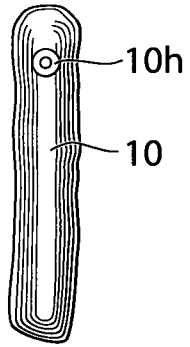


Fig.4b

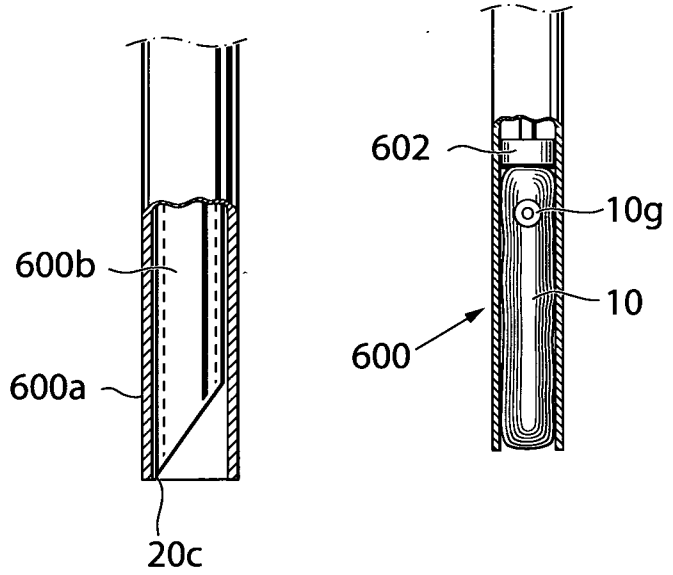


Fig.4c

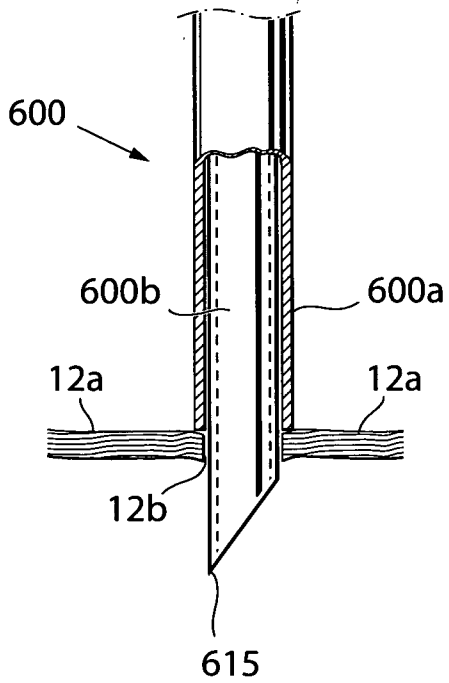


Fig.4d

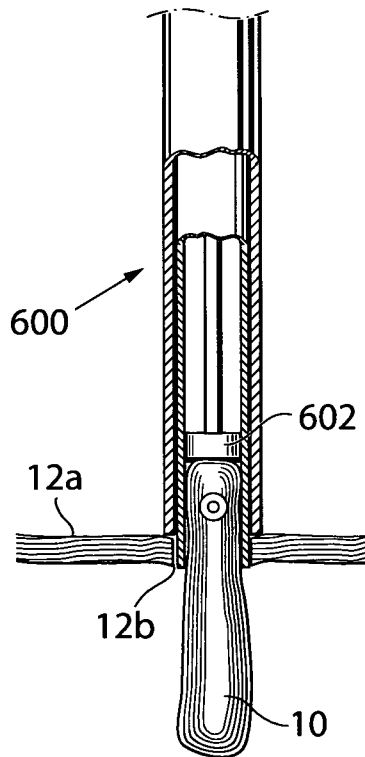


Fig.5a

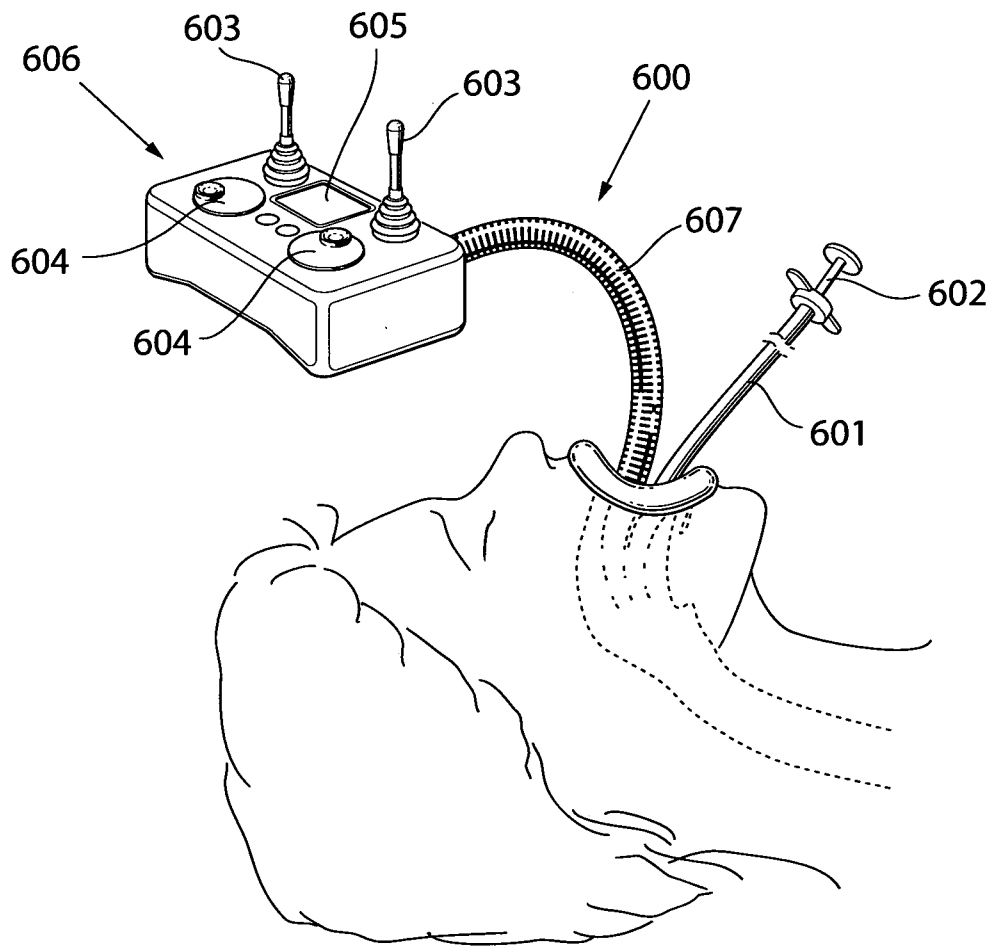


Fig.5b

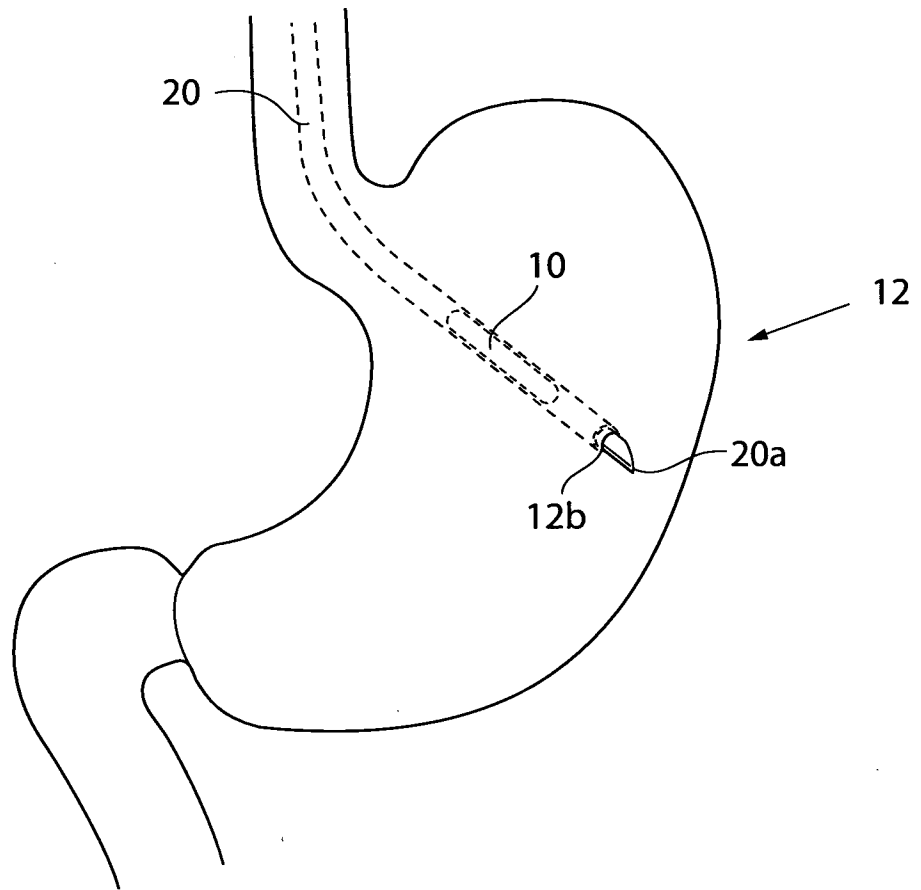


Fig.5c

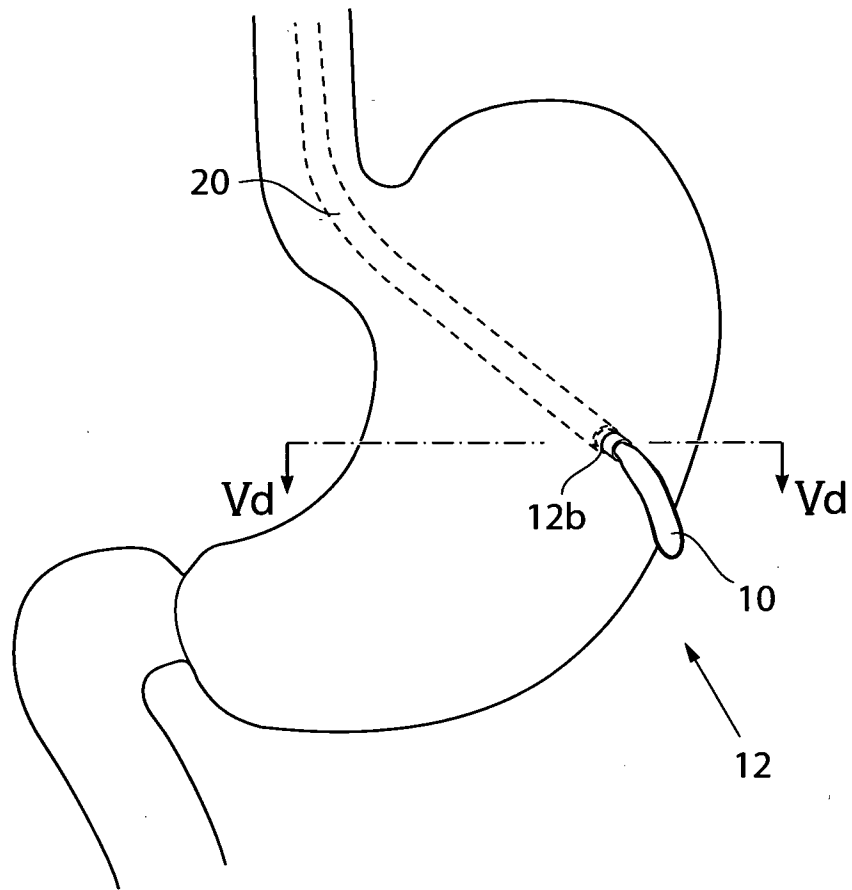
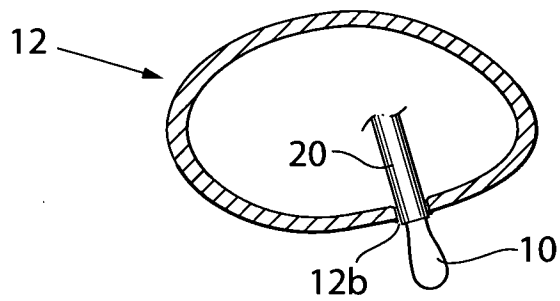


Fig.5d



10/41

Fig.5e

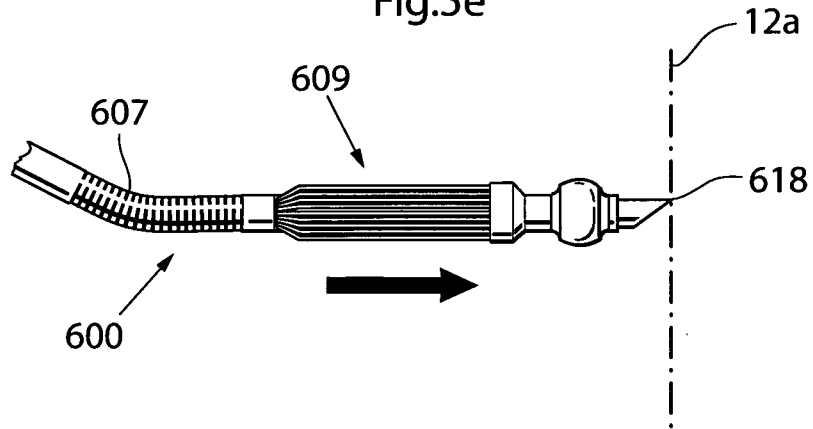


Fig.5f

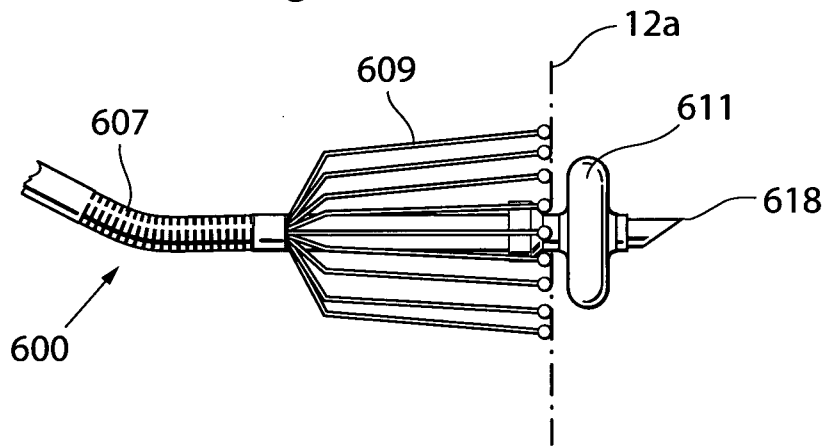


Fig.5g

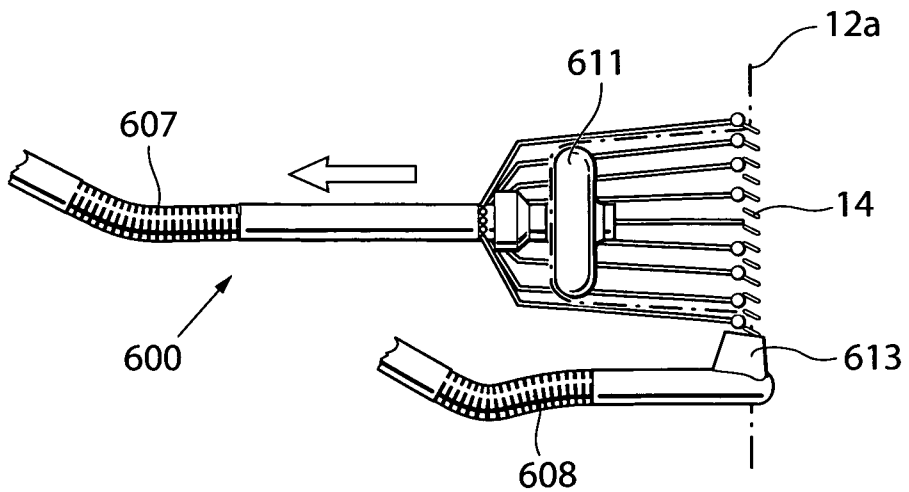


Fig.5h

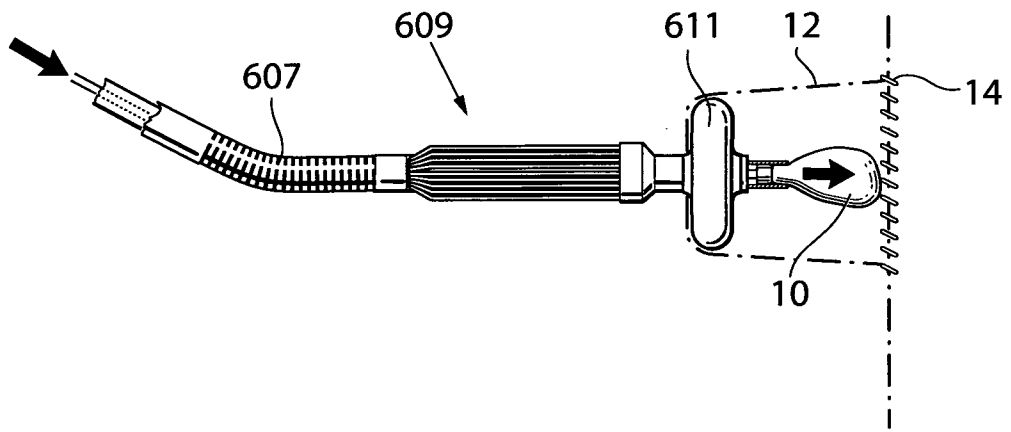
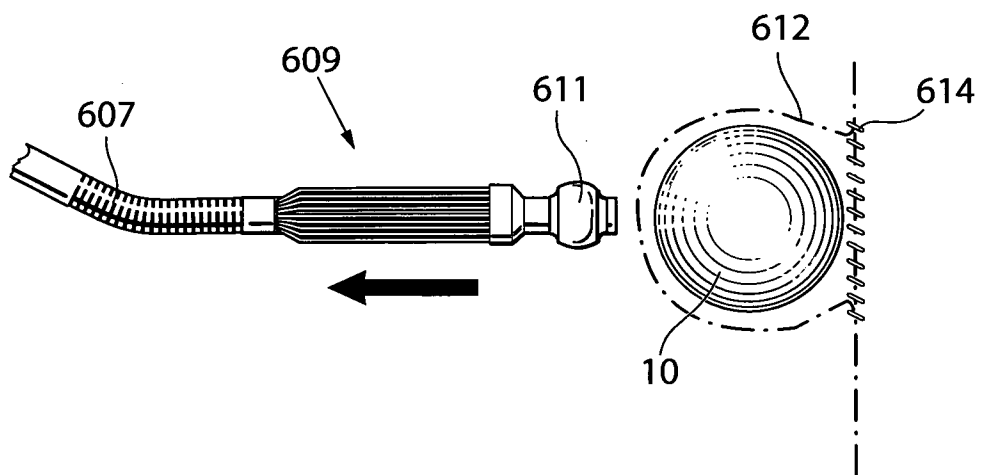


Fig.5i



12/41

Fig.6a

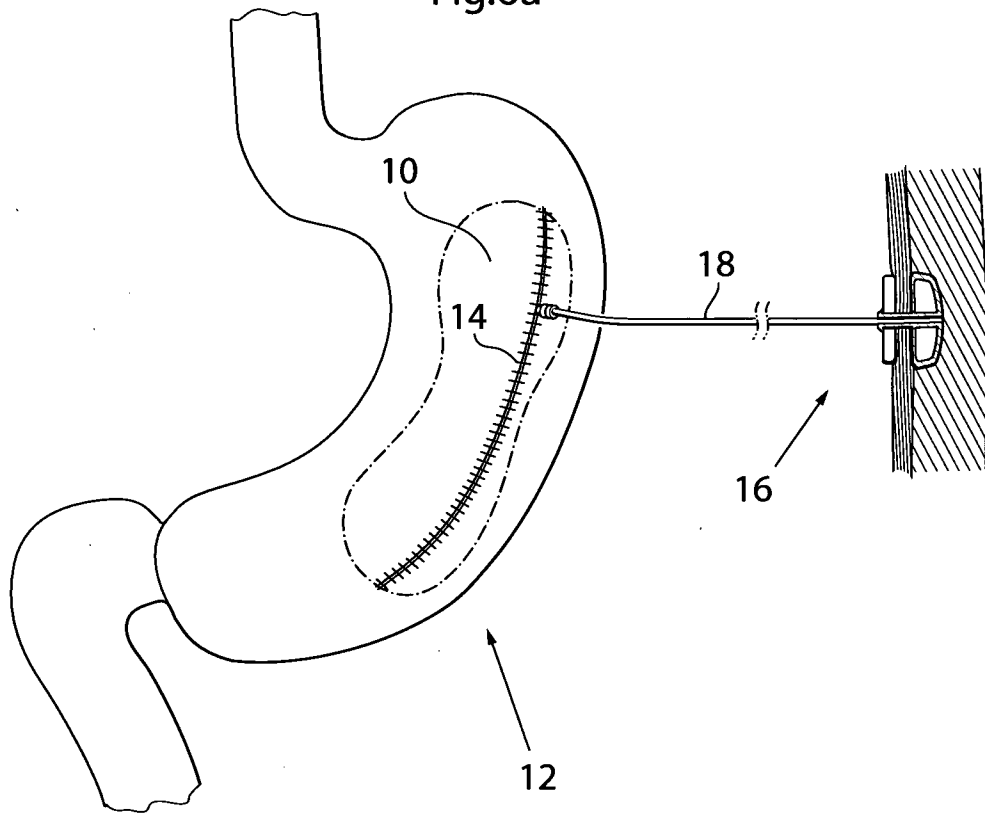


Fig.6b

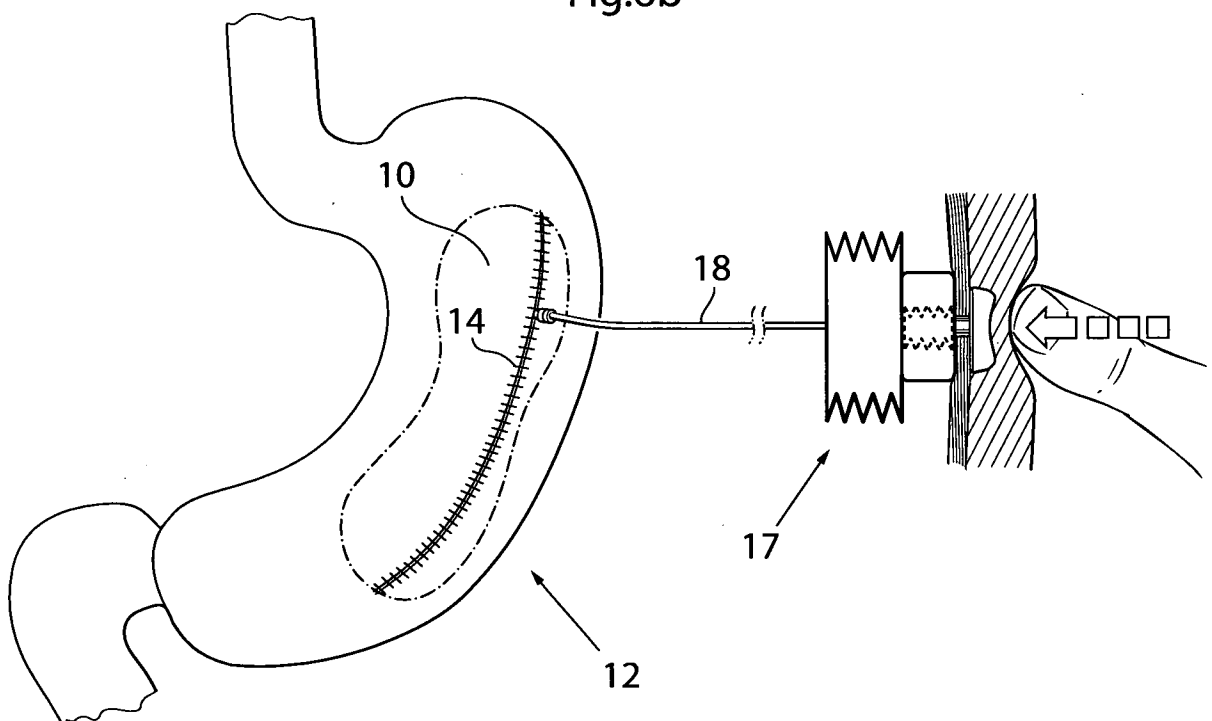
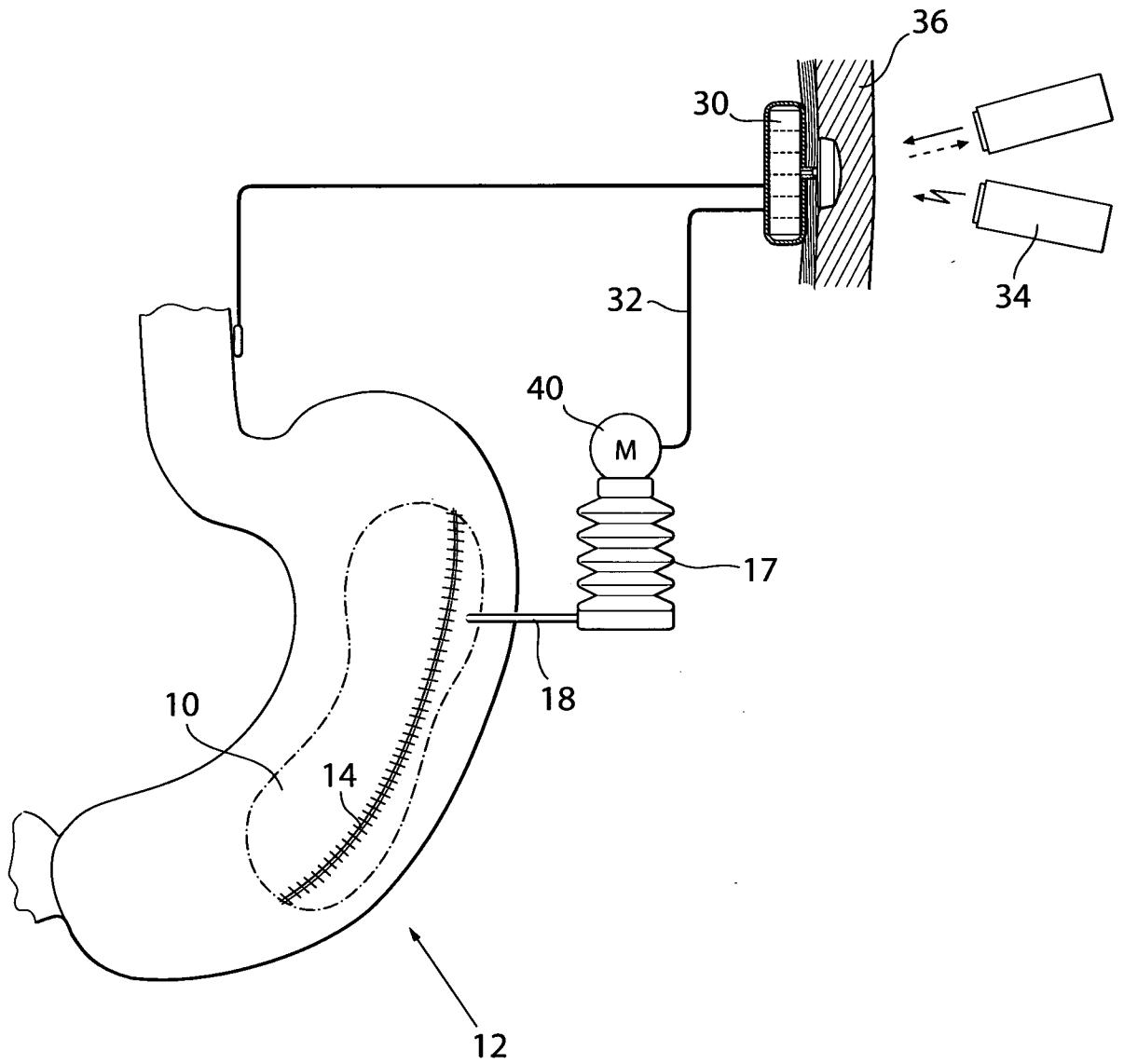
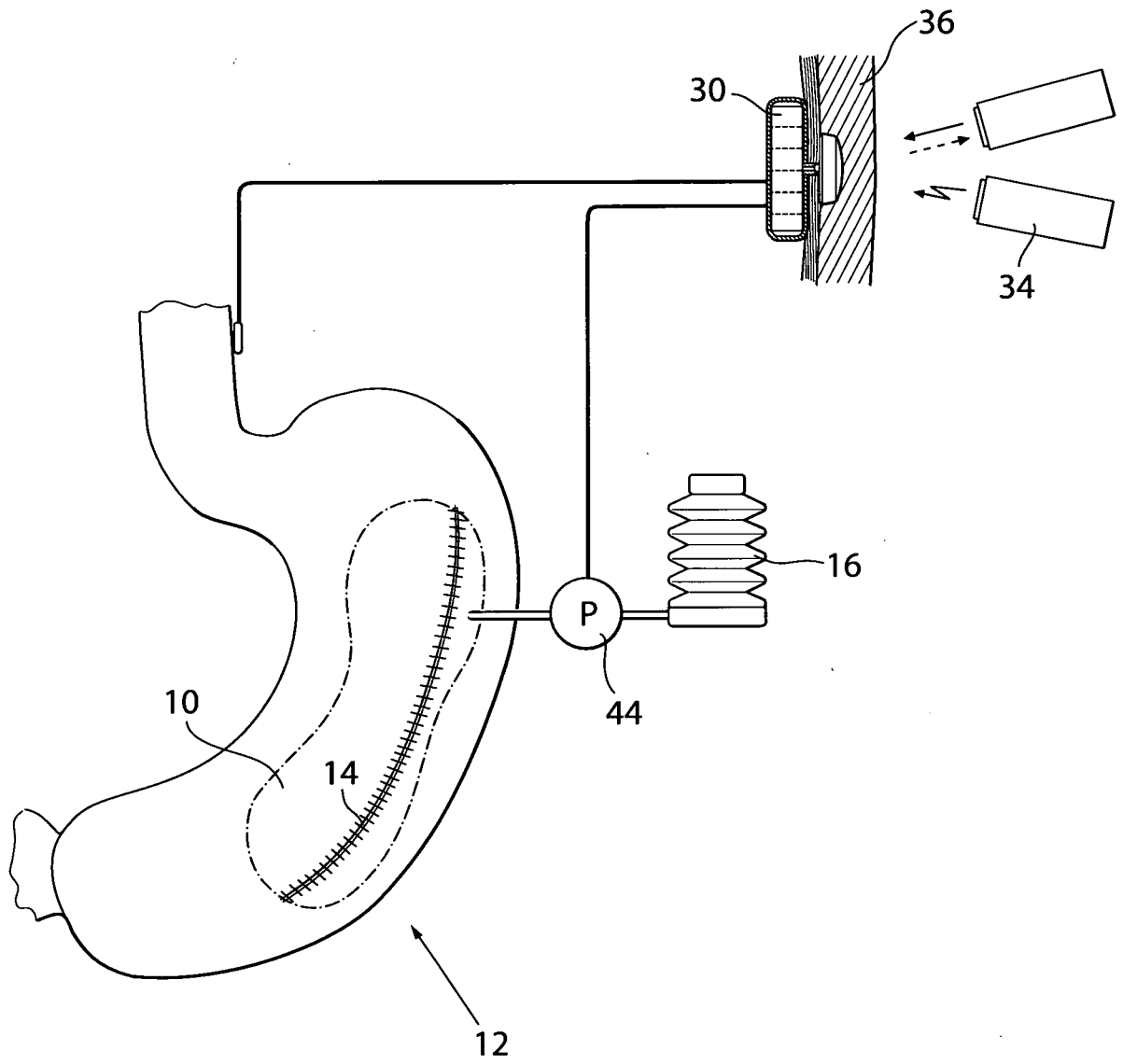


Fig.7



14/41

Fig.8



15/41

Fig.9

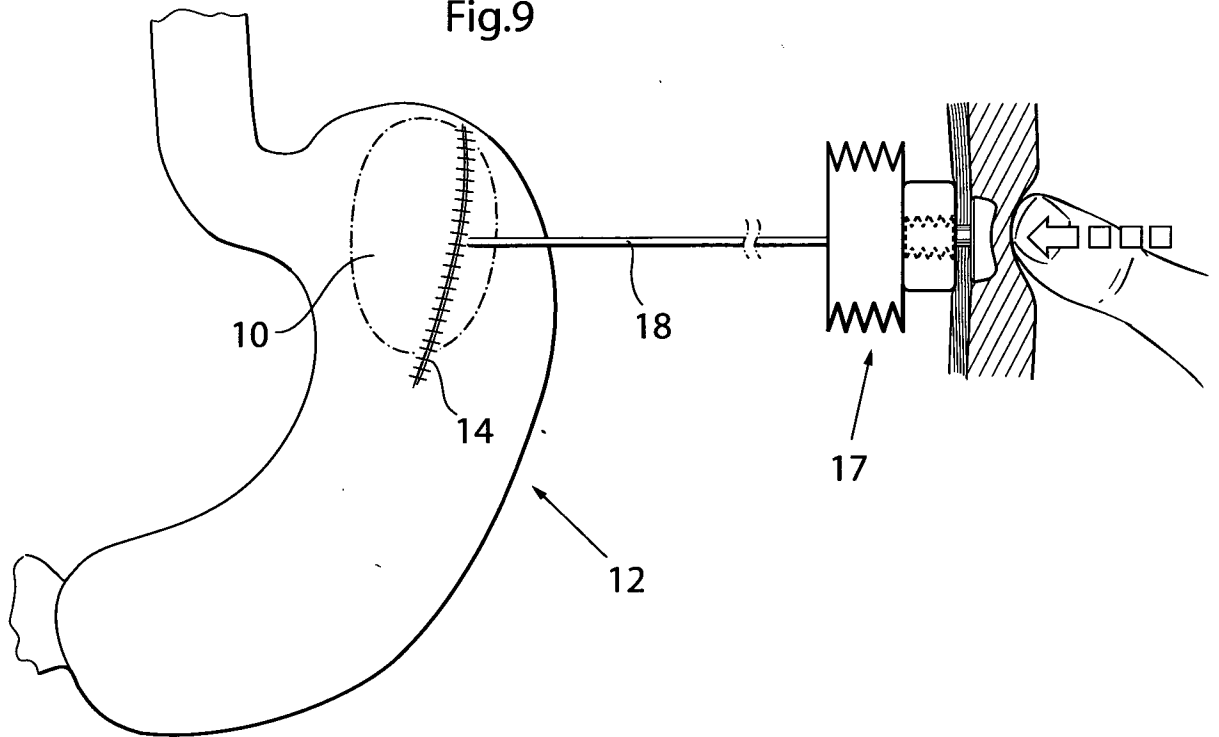


Fig.10

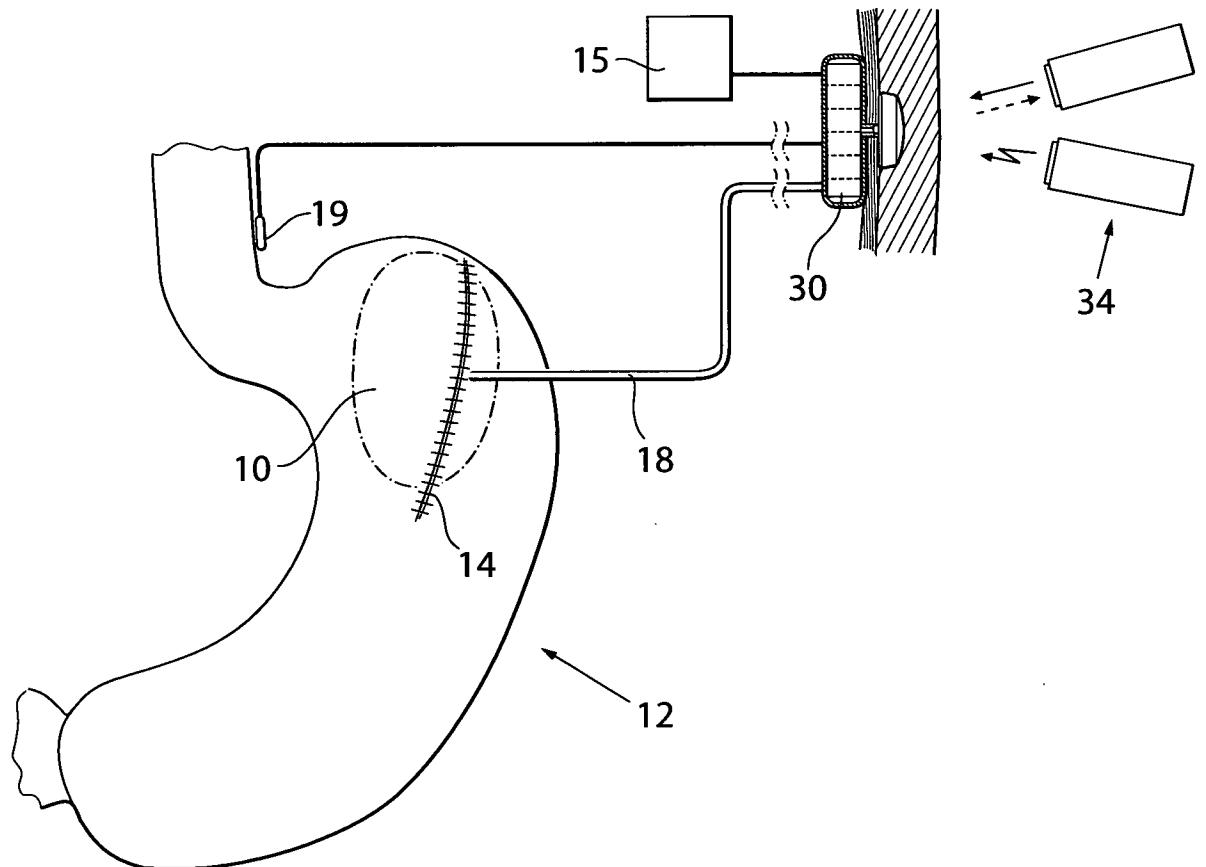


Fig.11

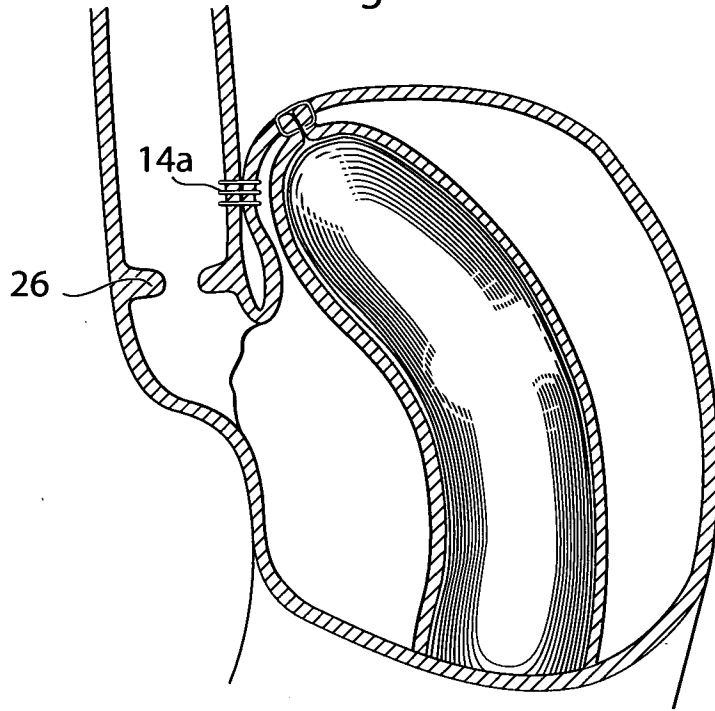
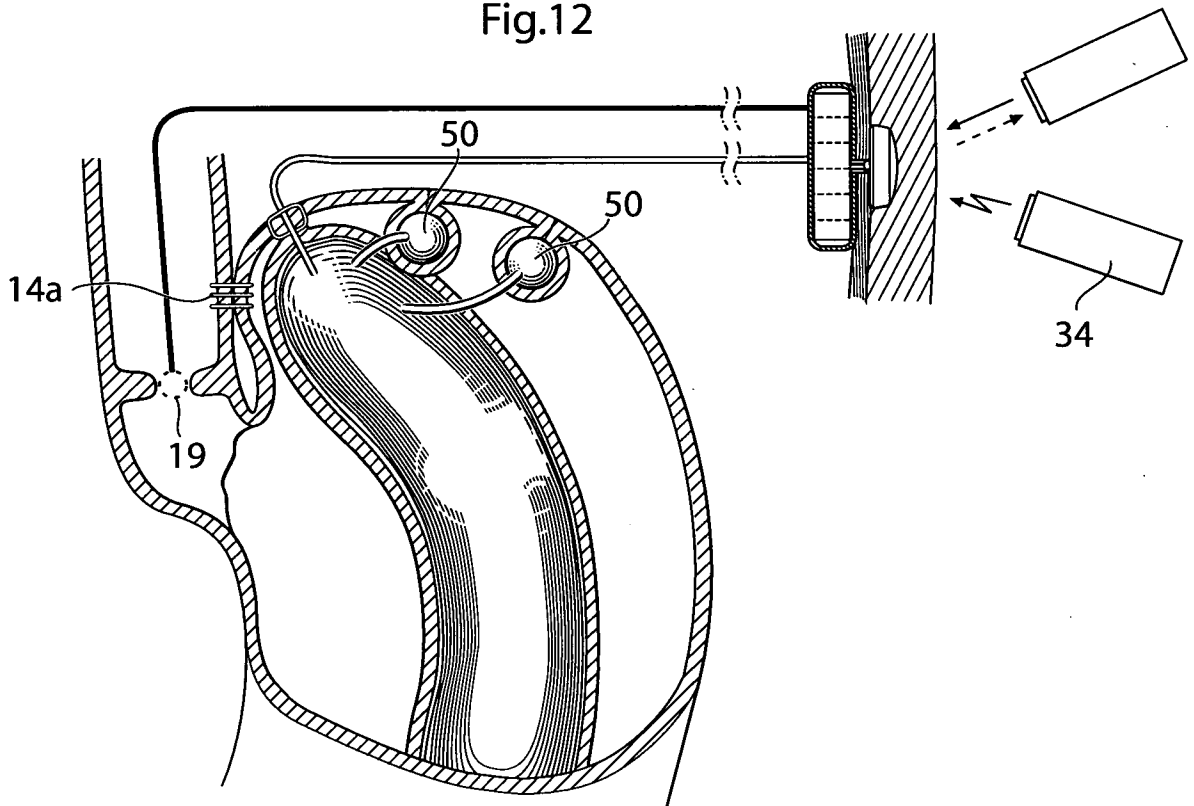


Fig.12



17/41

Fig.13

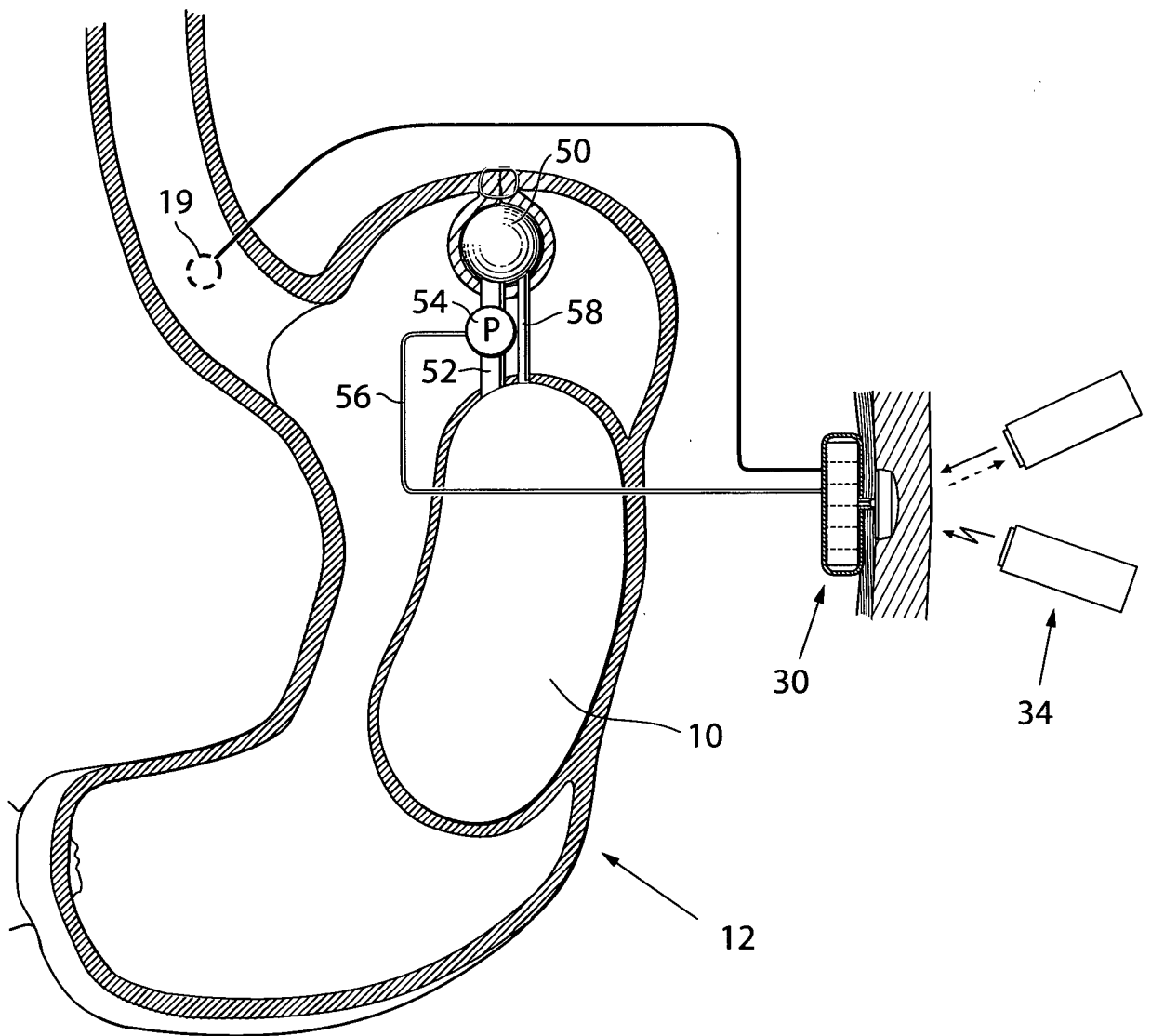


Fig.14

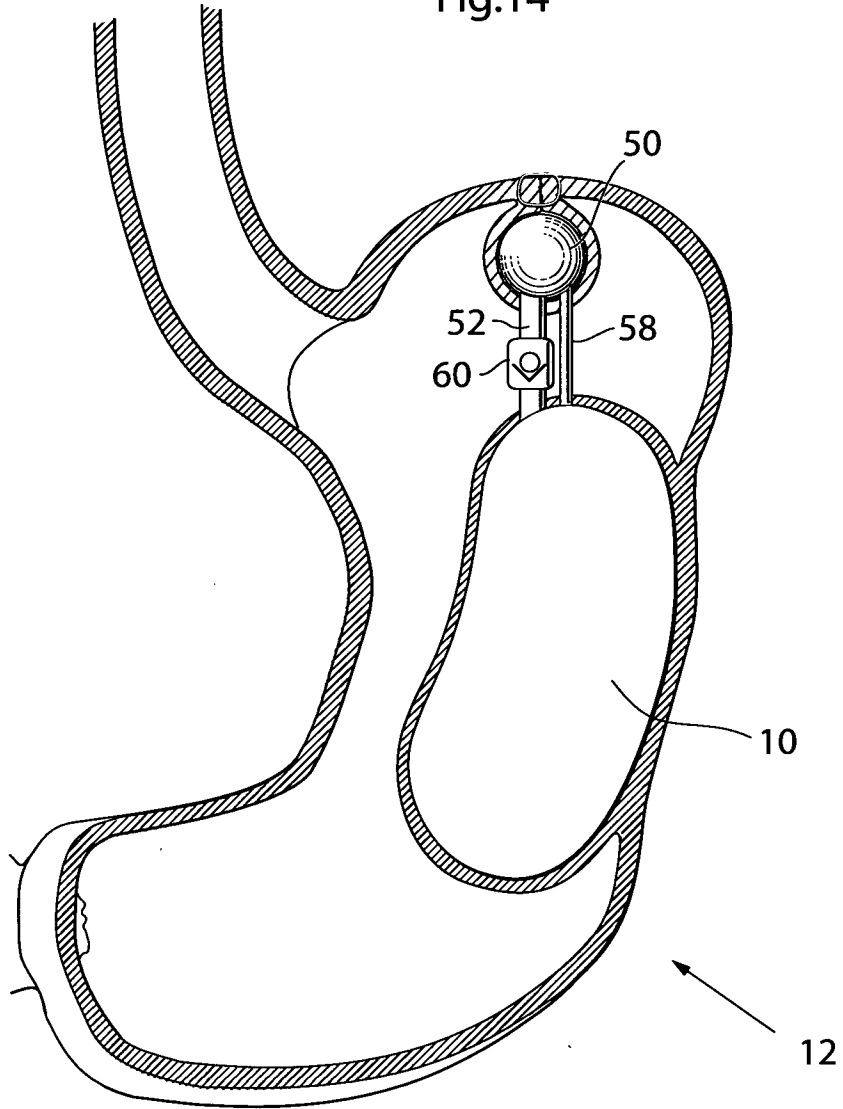
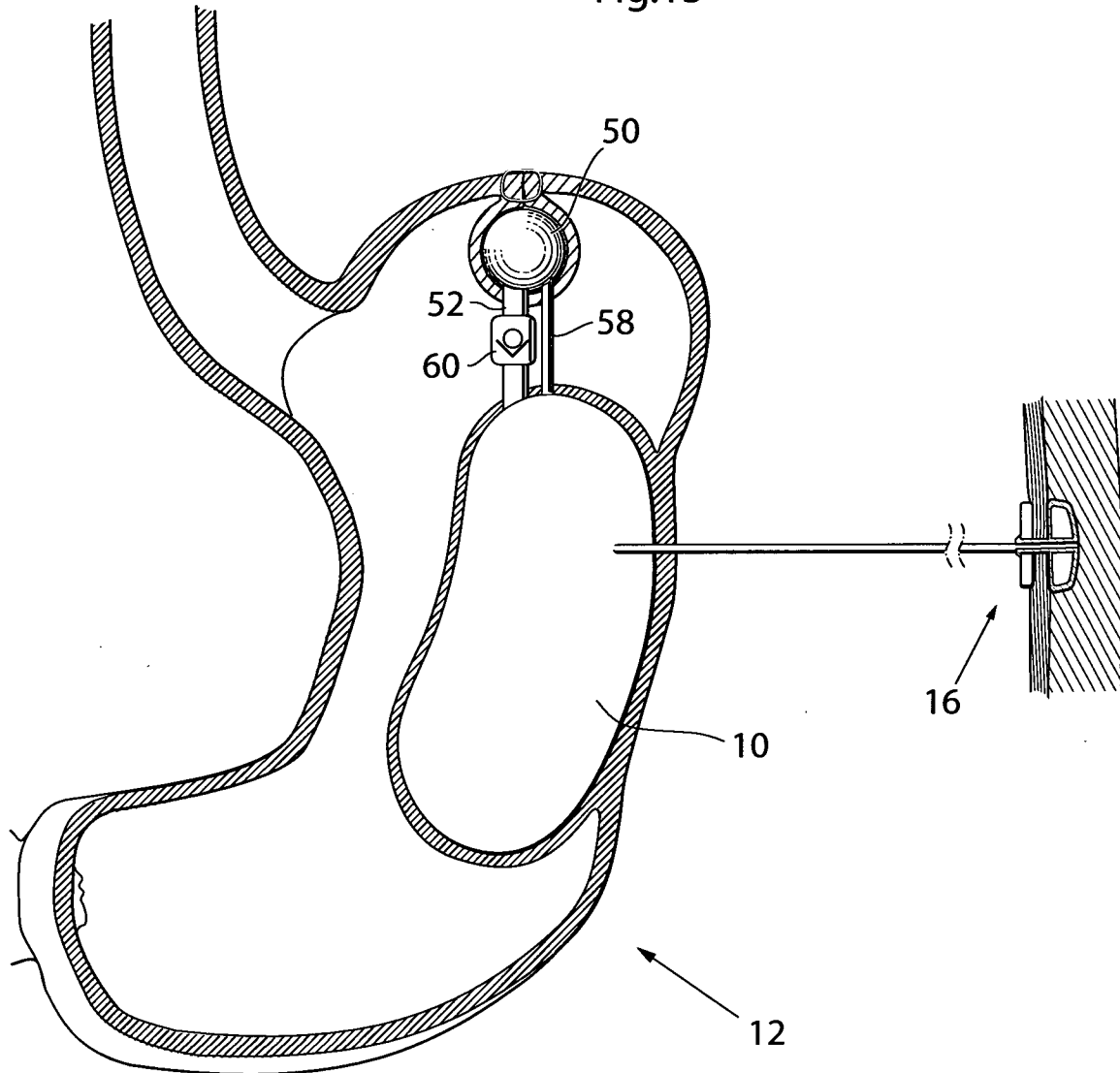


Fig.15



20/41

Fig.16

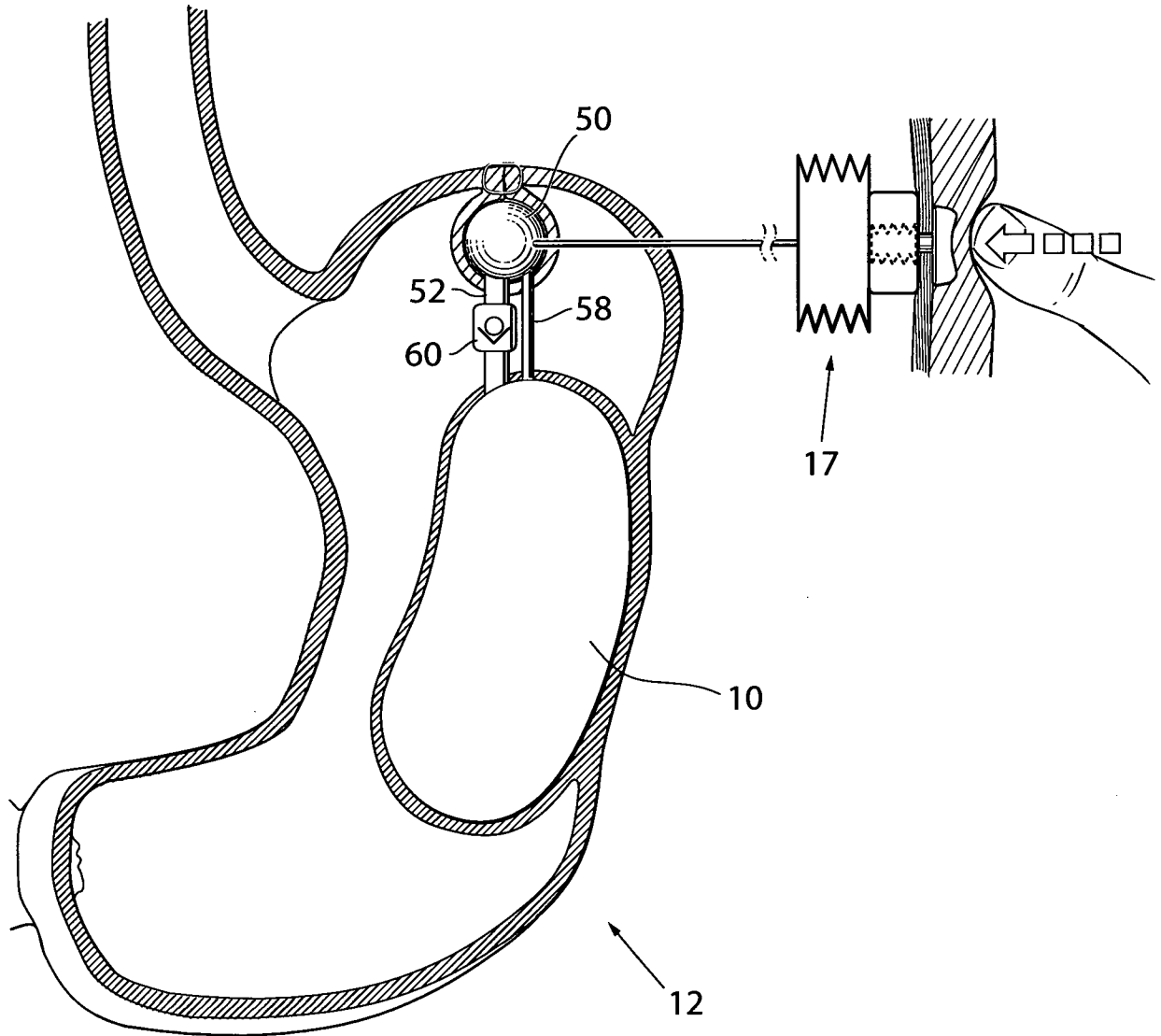


Fig.17a

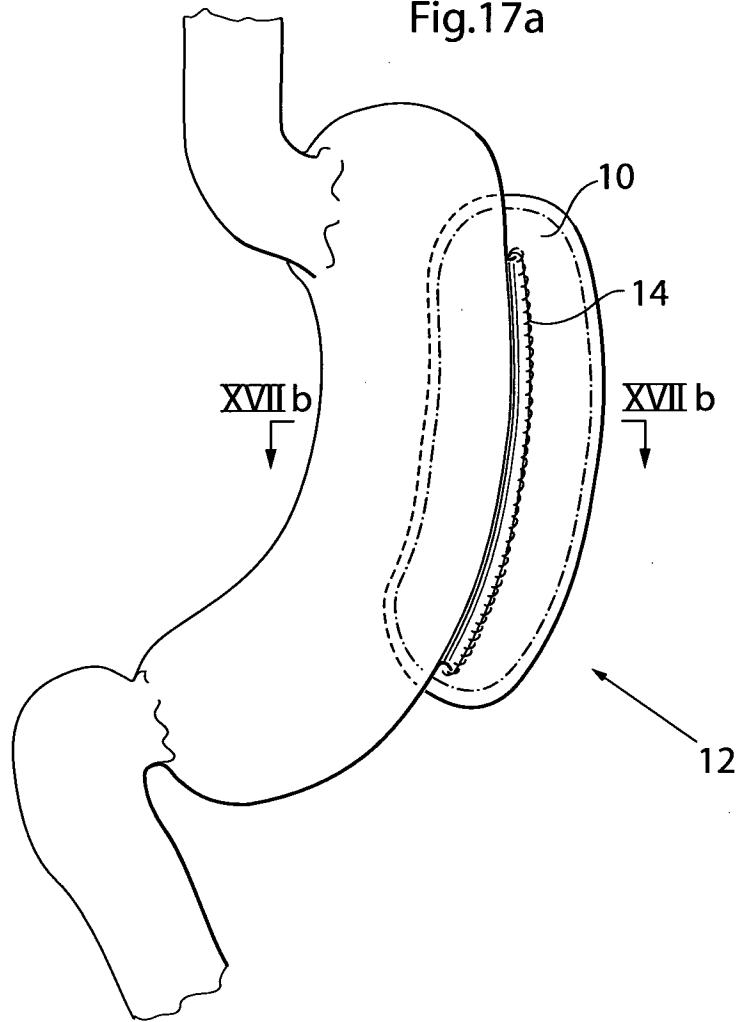
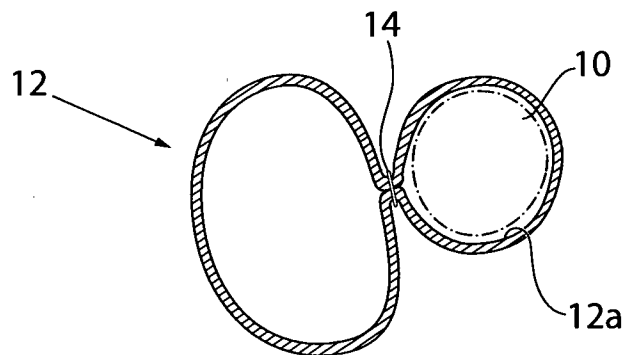
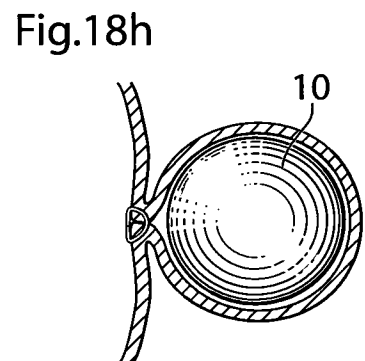
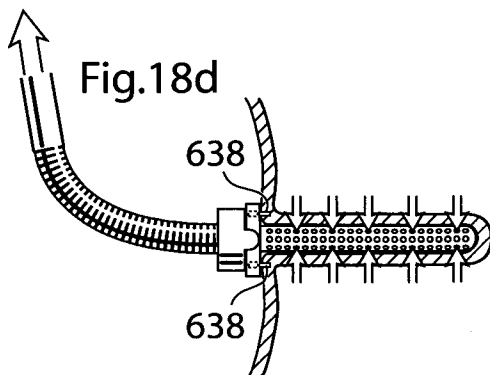
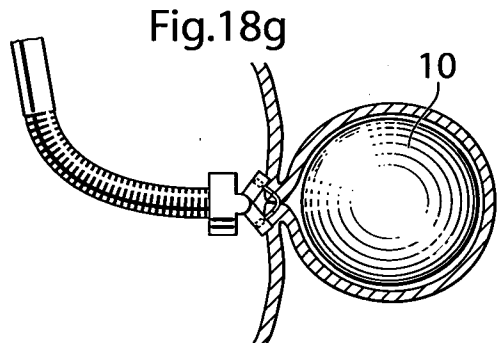
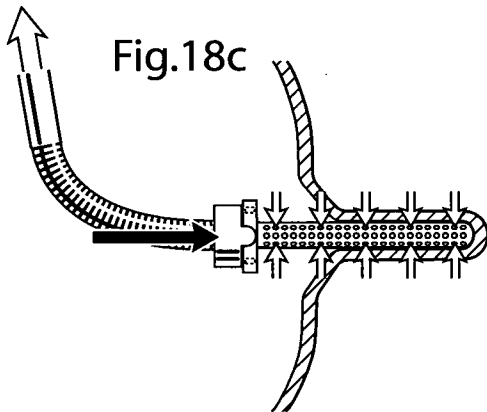
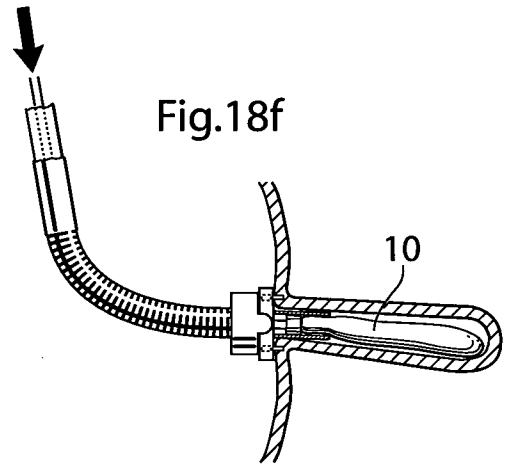
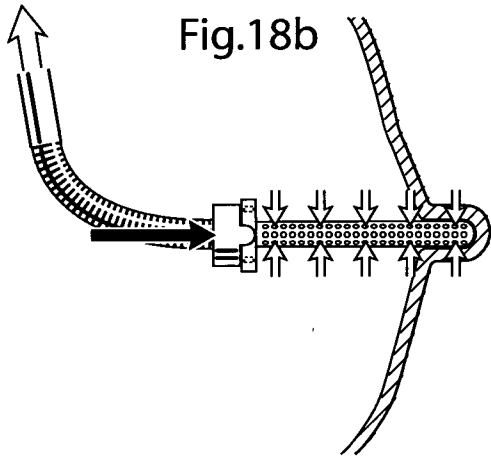
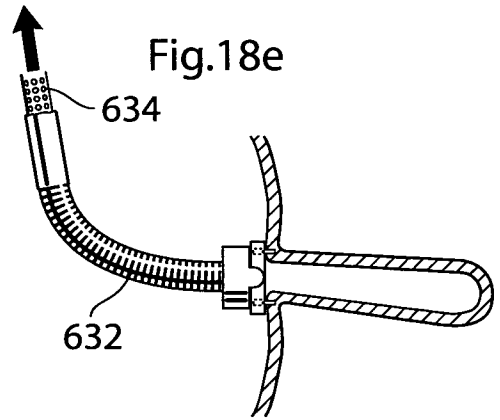
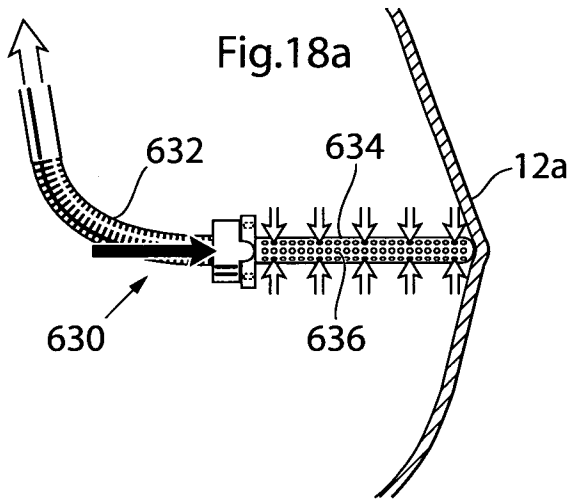


Fig.17b



22/41



23/41

Fig. 19a

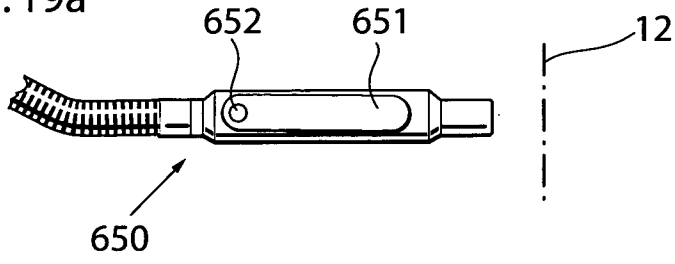


Fig. 19b

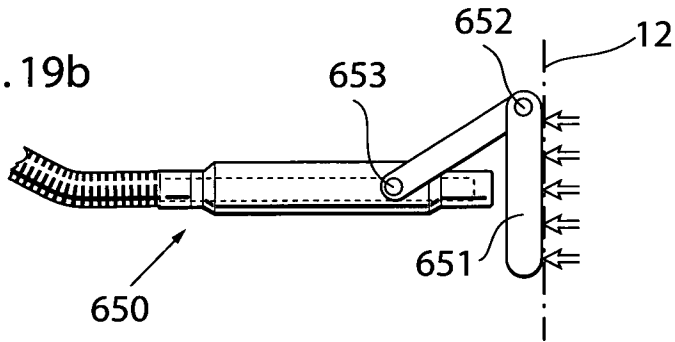


Fig. 19c

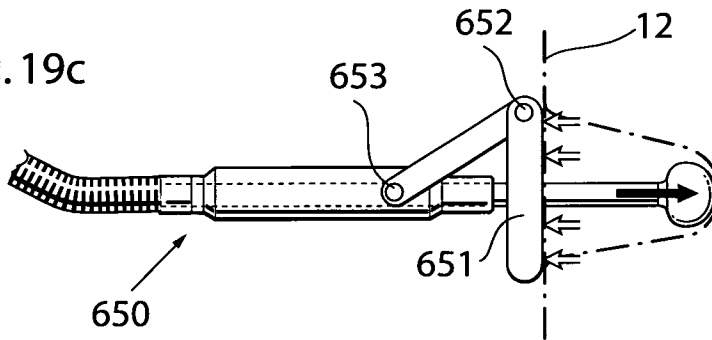


Fig. 19d

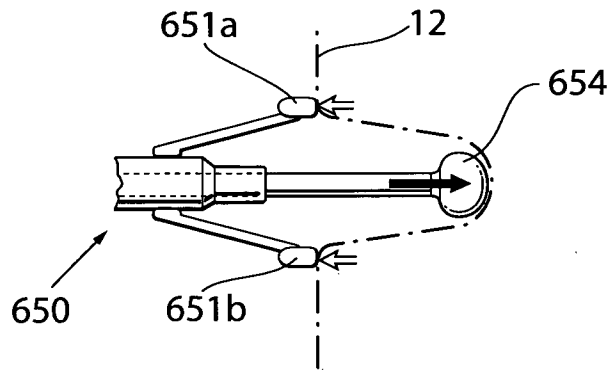
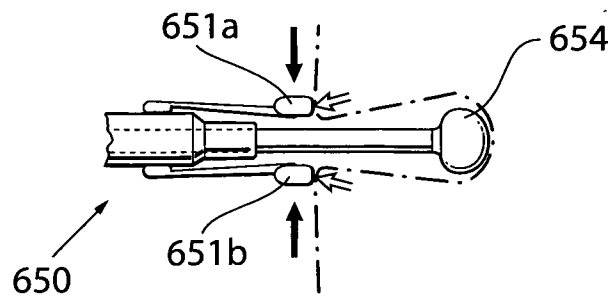
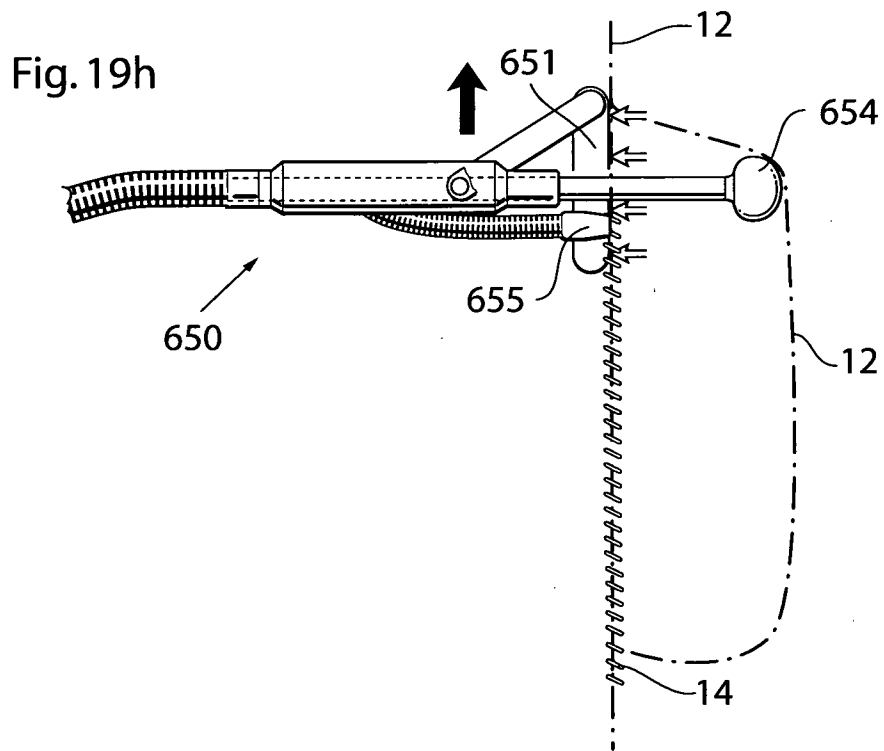
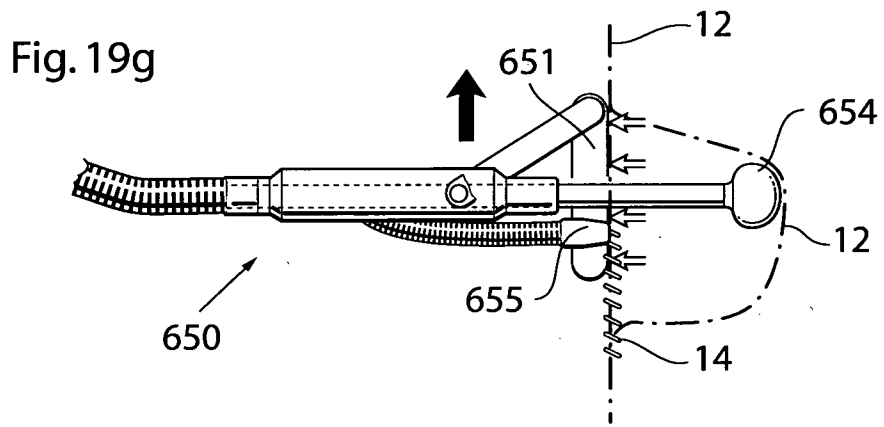
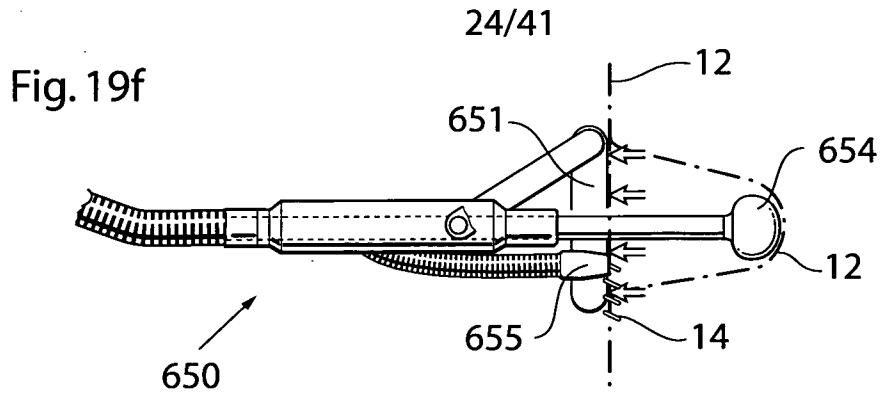


Fig. 19e





25/41

Fig. 19i

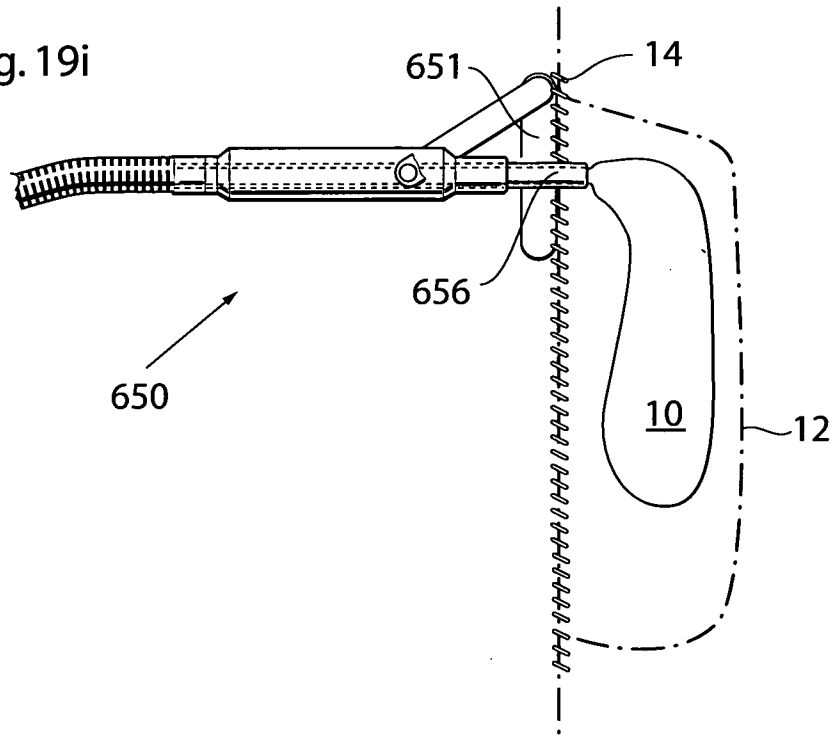
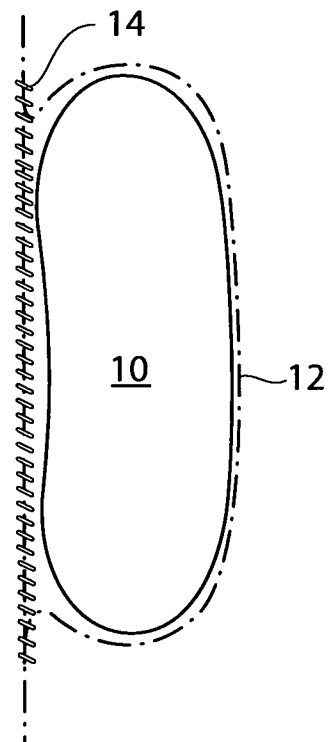


Fig. 19j



26/41

Fig. 20a

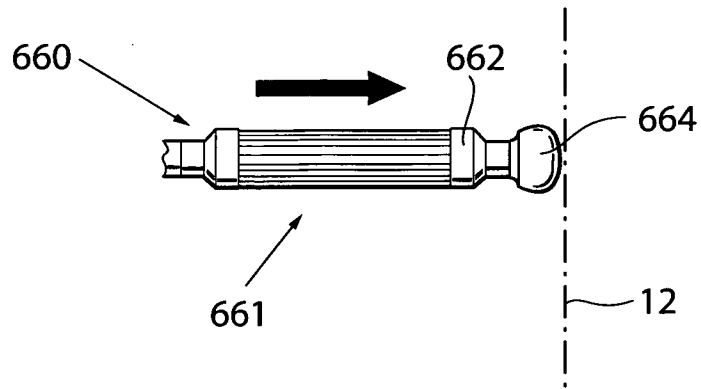


Fig. 20b

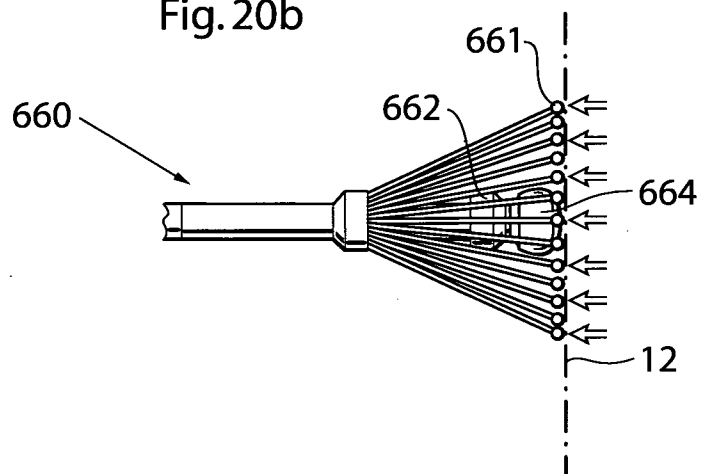


Fig. 20c

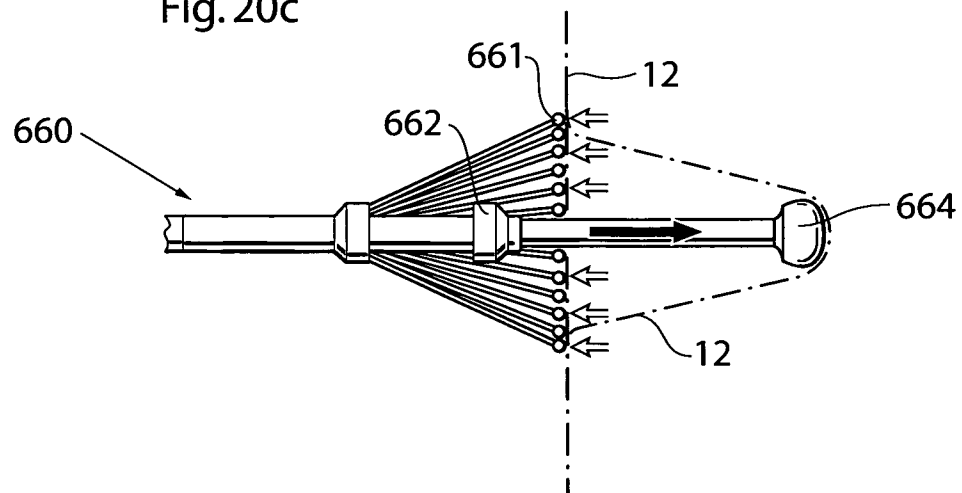


Fig. 20d

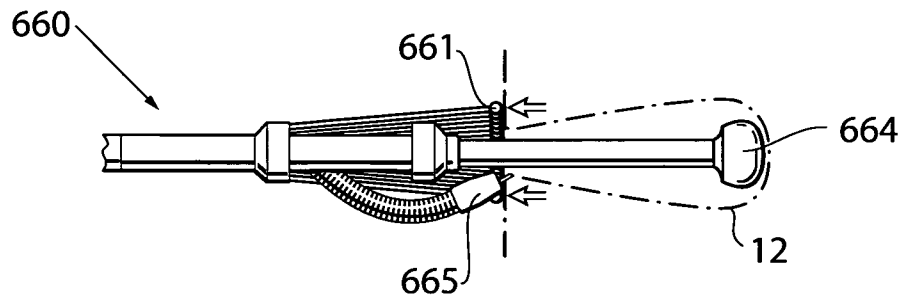


Fig. 20e

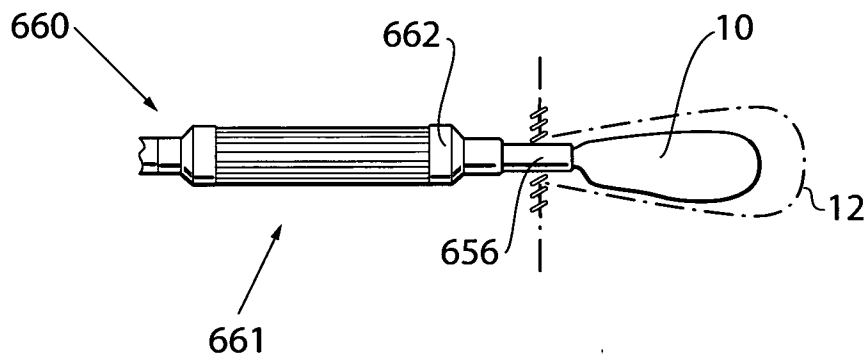


Fig. 20f

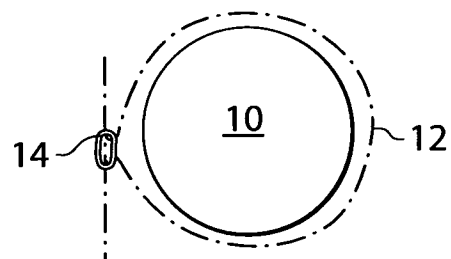


Fig.21a

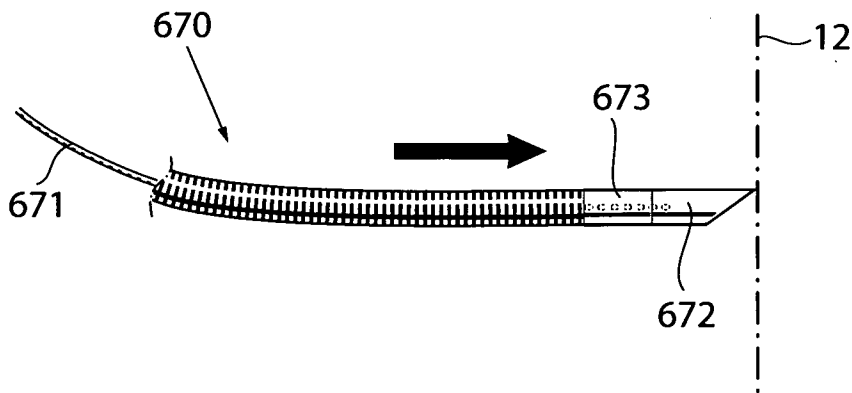
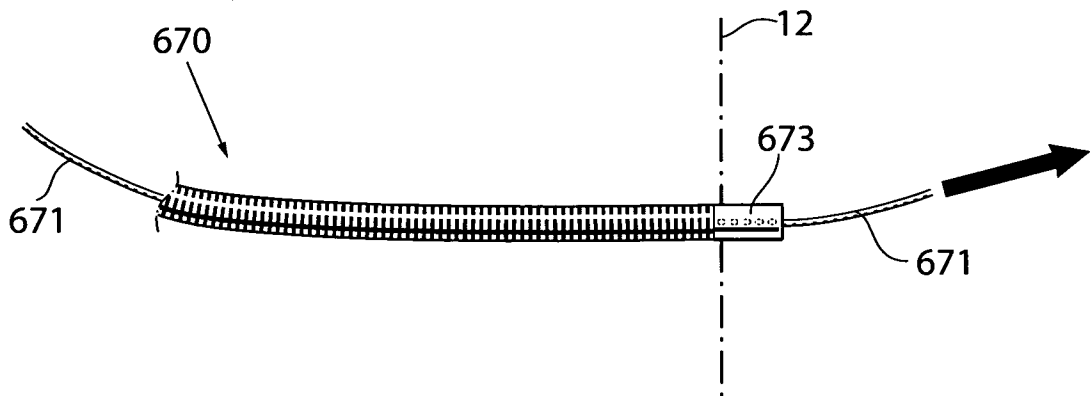
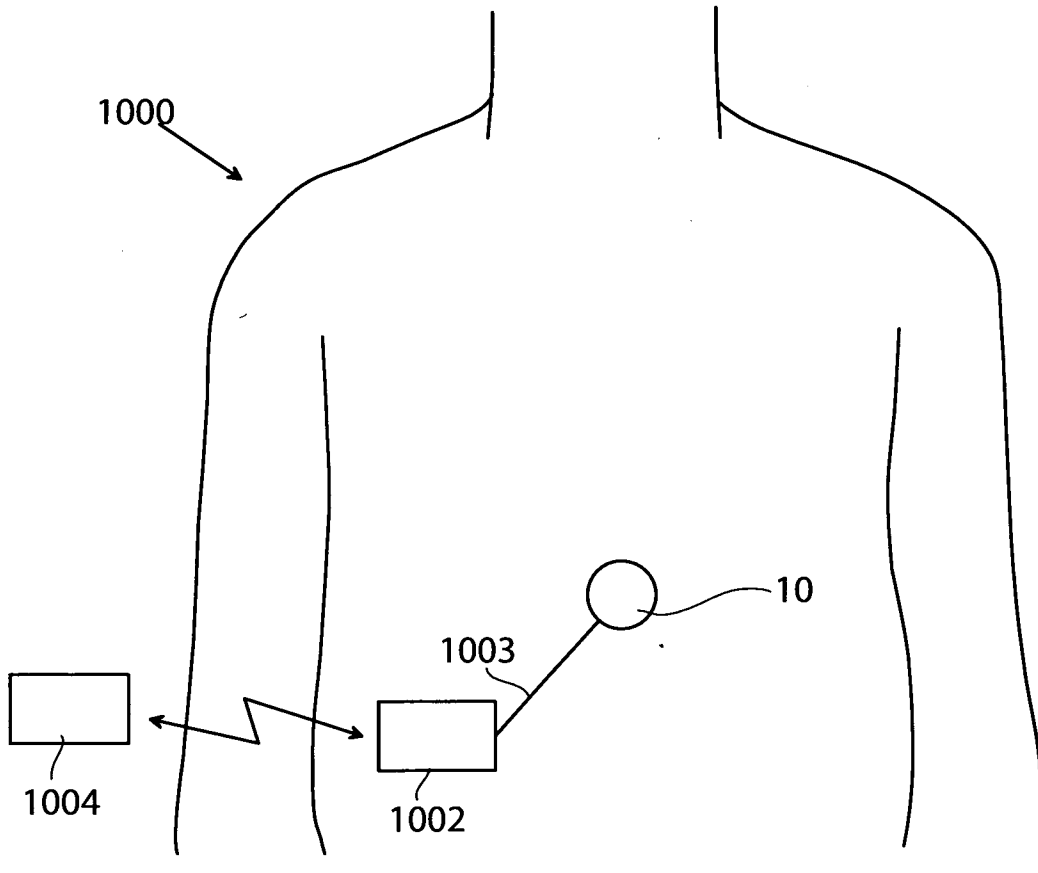


Fig.21b



29/41

Fig. 22



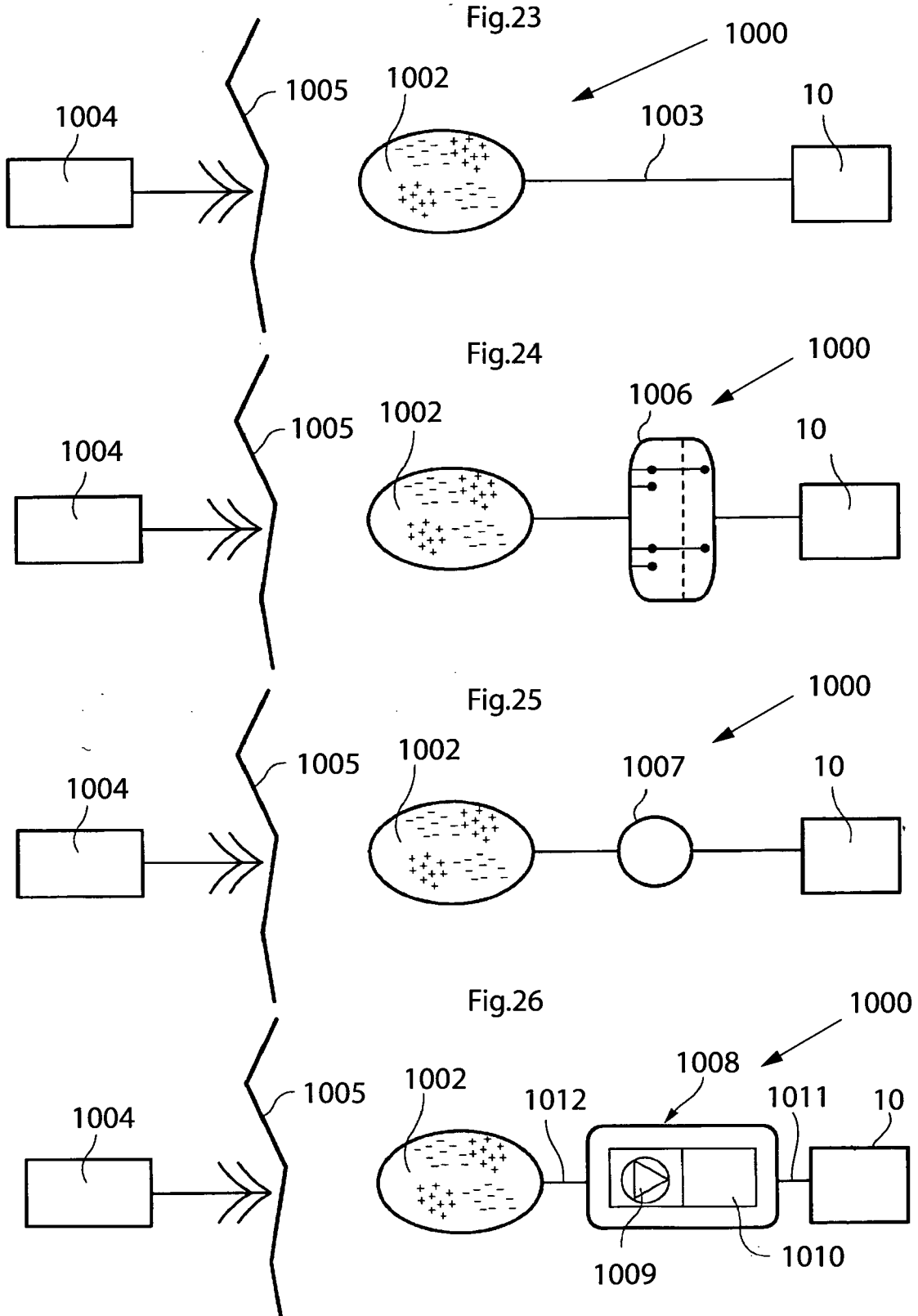


Fig.27

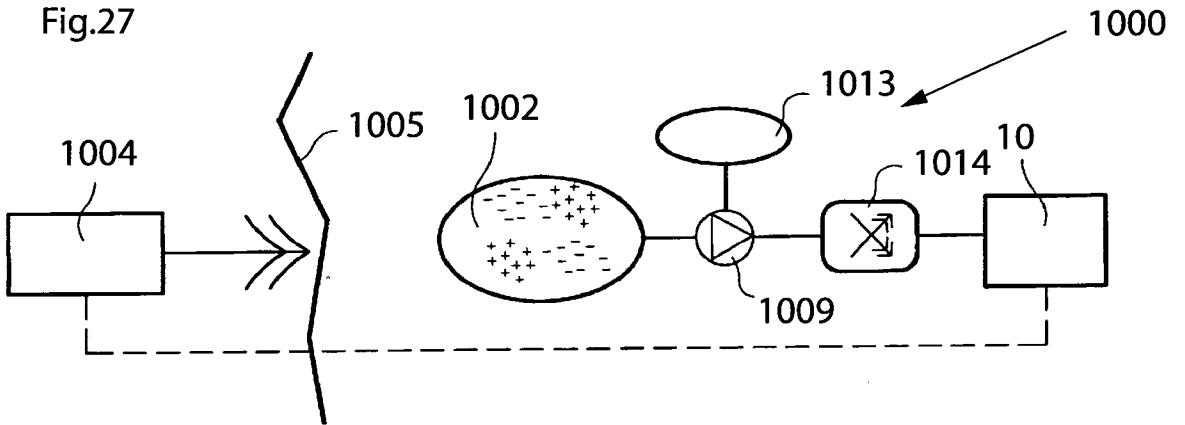


Fig.28

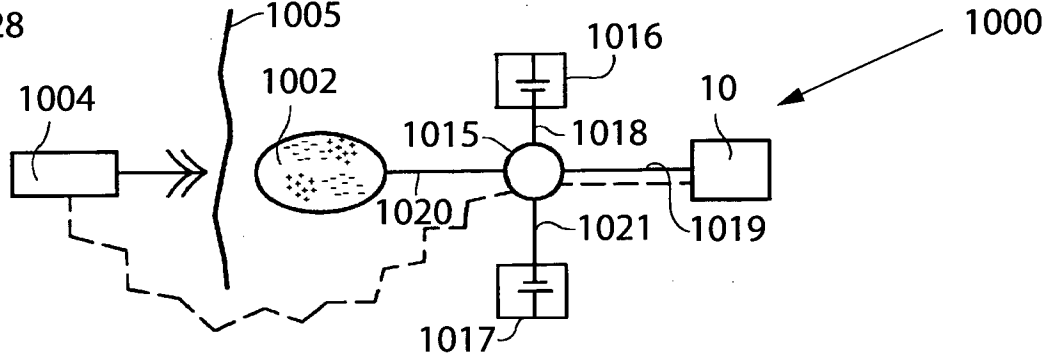


Fig.29

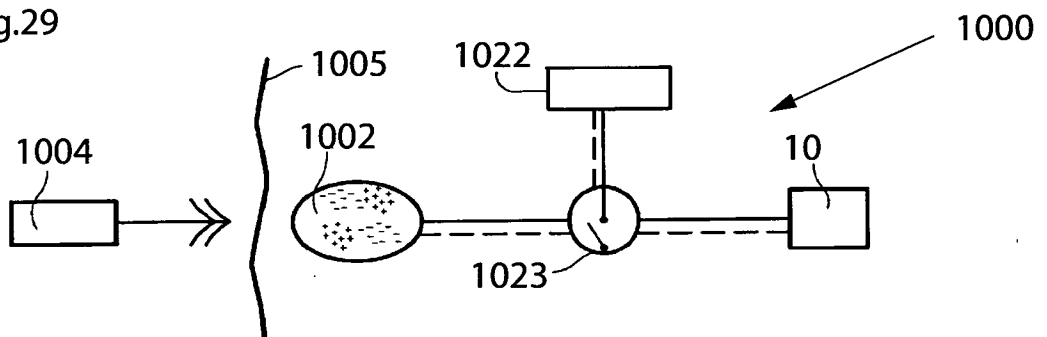


Fig.30

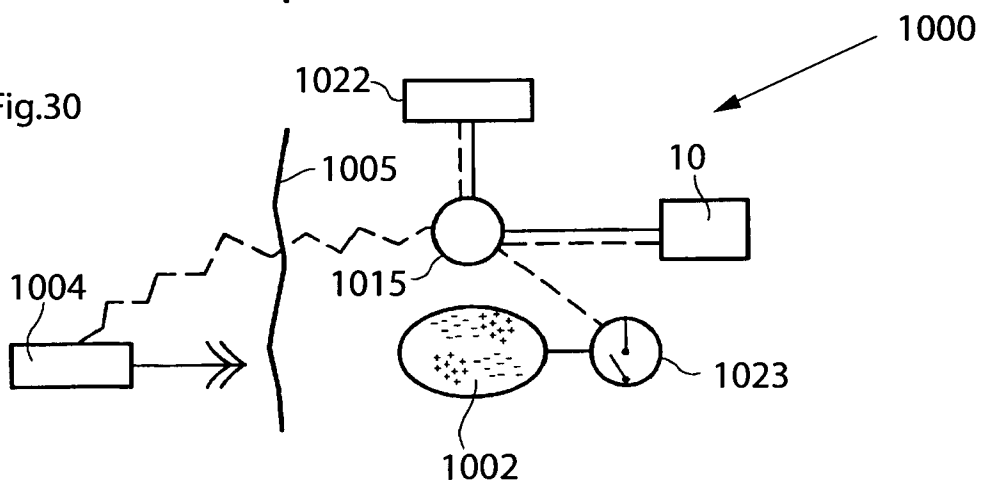


Fig.31

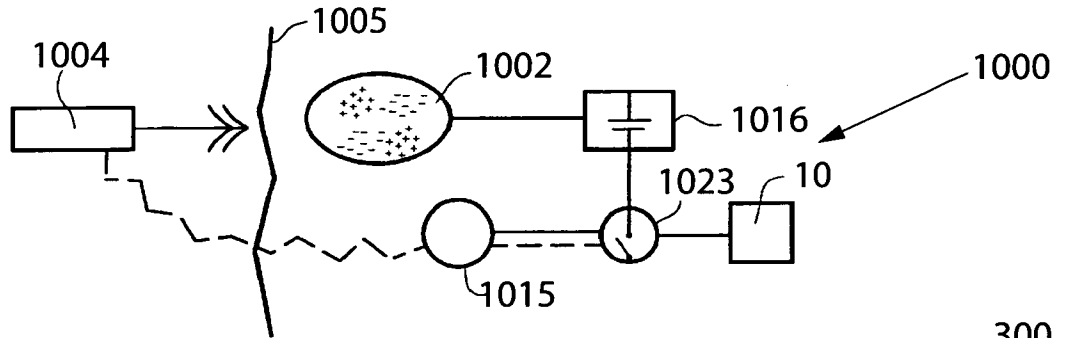


Fig.32

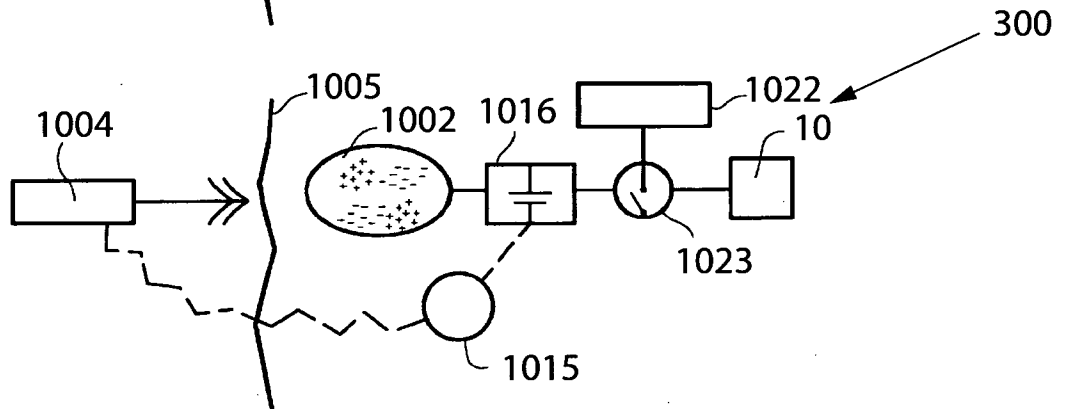


Fig.33

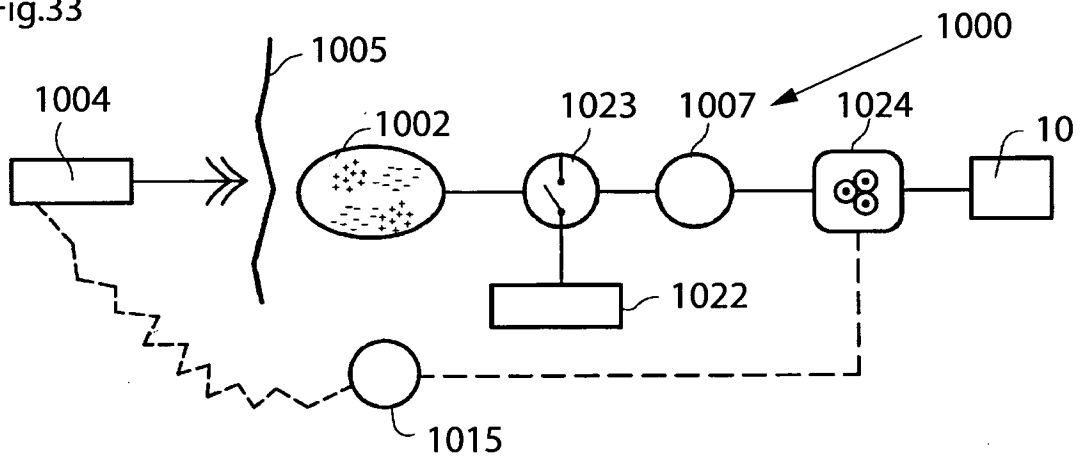


Fig.34

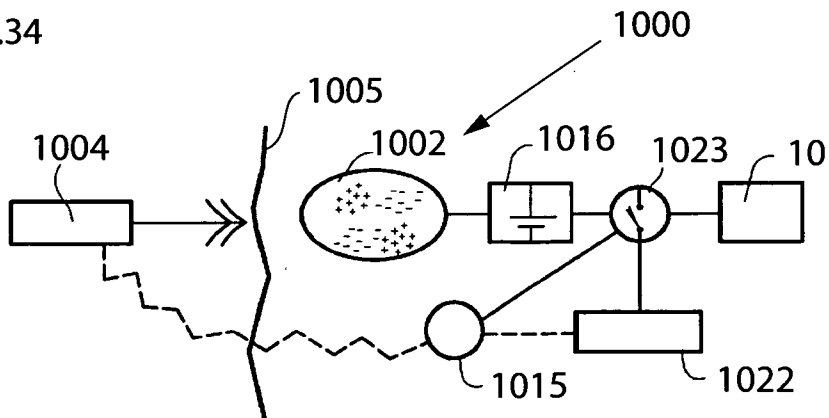


Fig.35

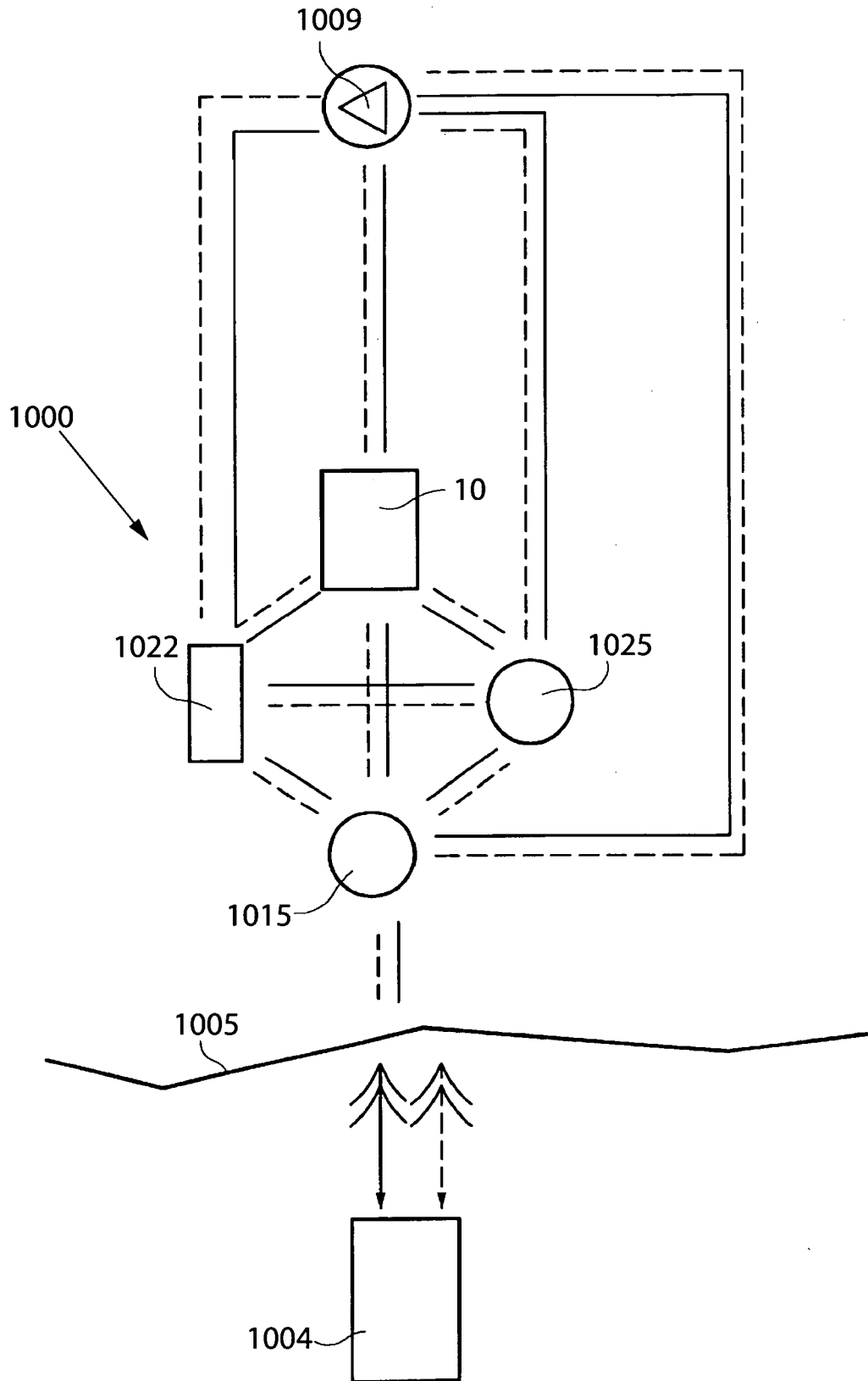


Fig.36

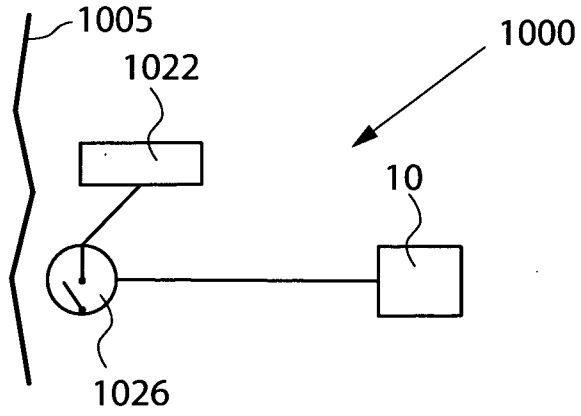


Fig.37

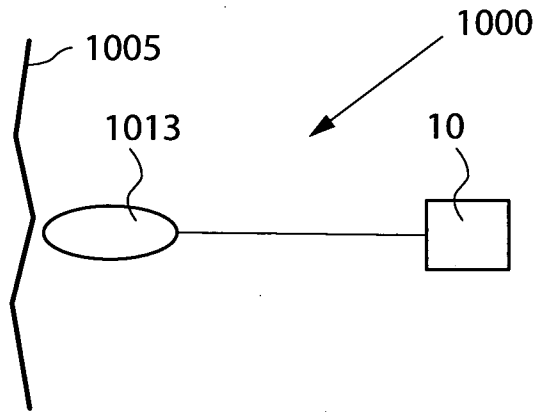
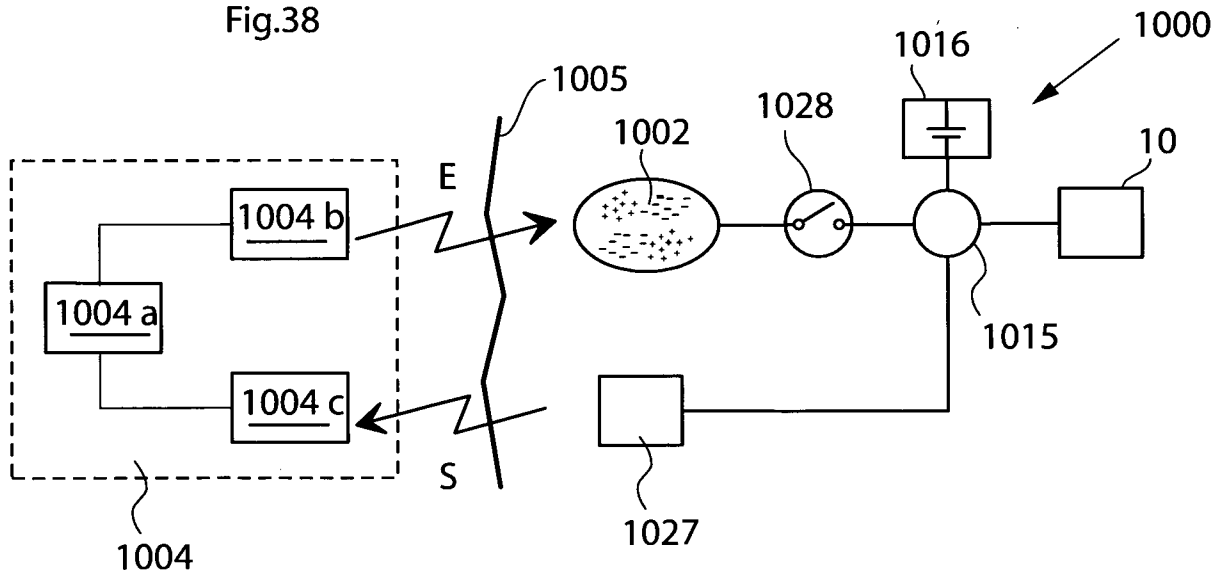


Fig.38



35/41

Fig.39

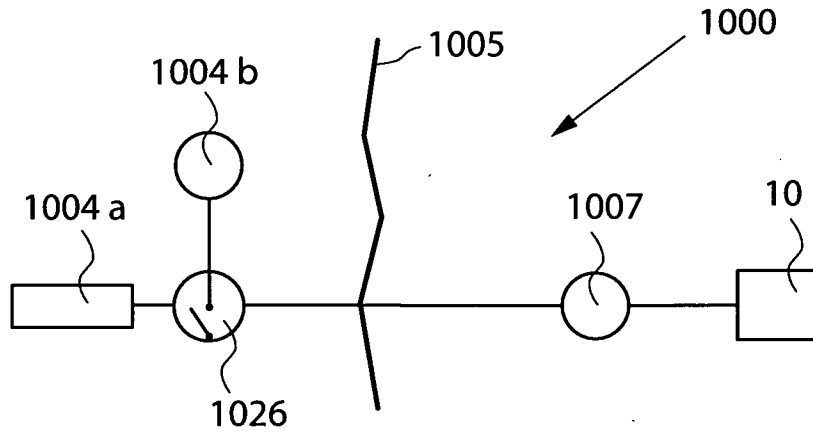


Fig.40

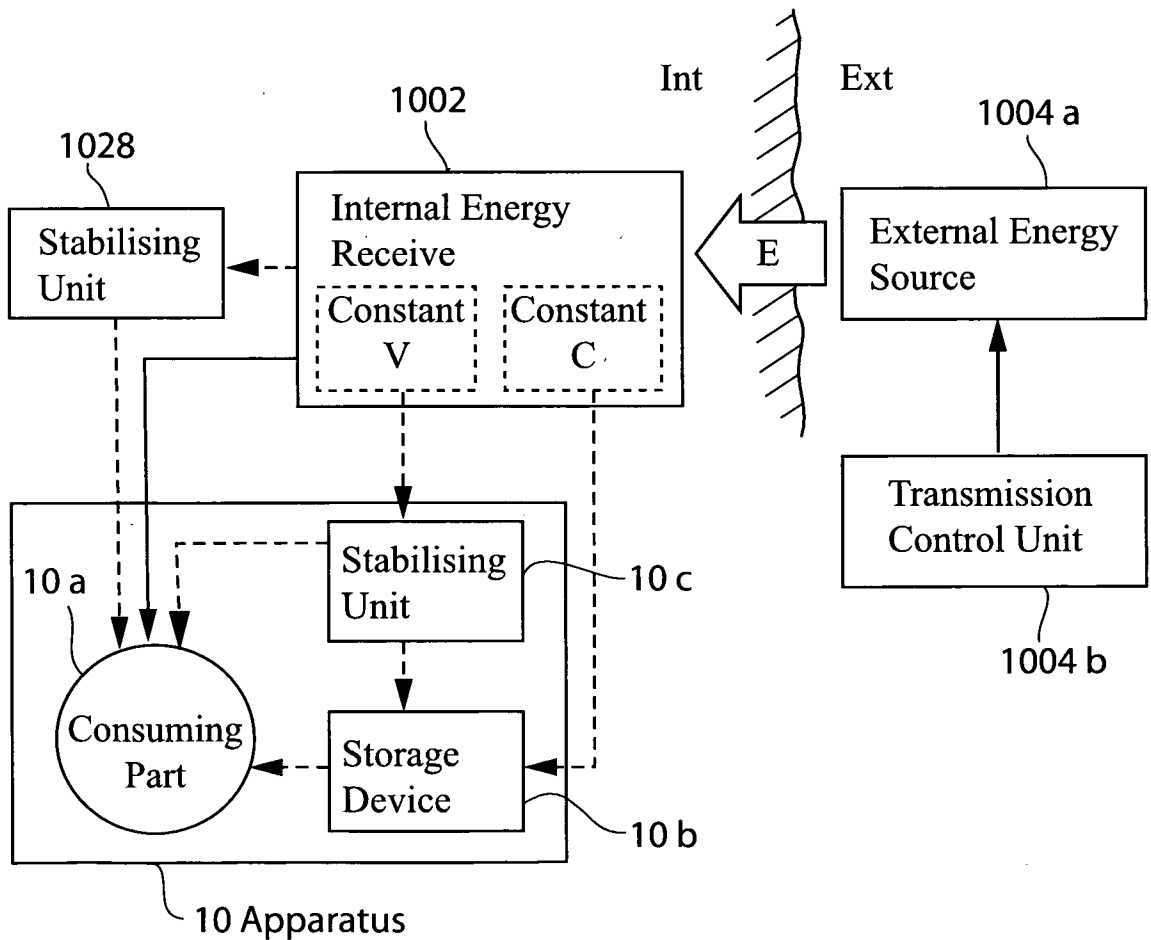
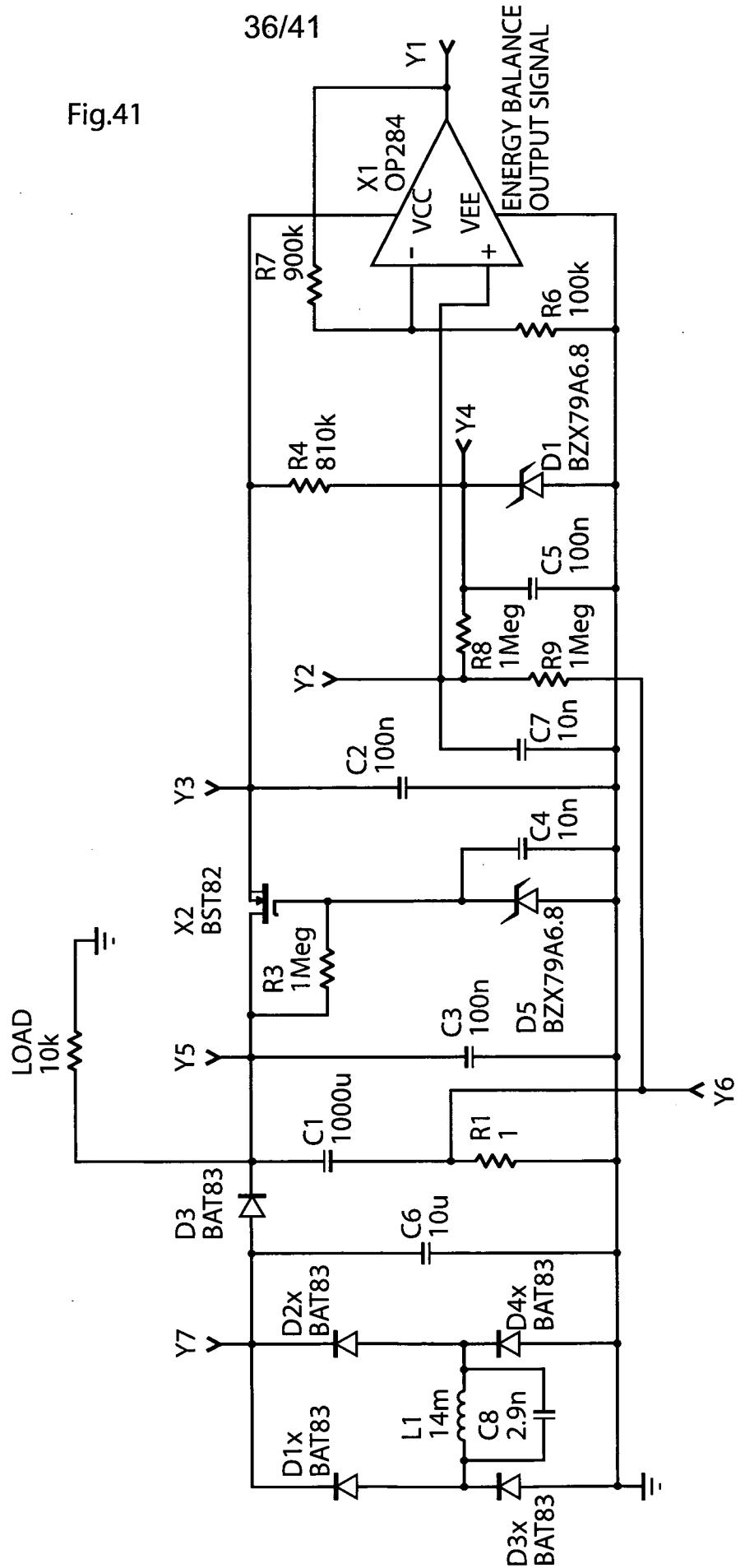


Fig.41



37/41

Fig.42

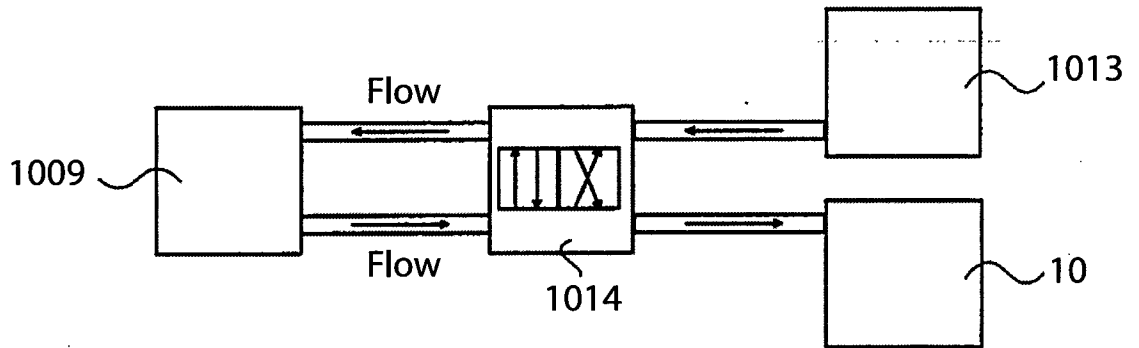


Fig.43

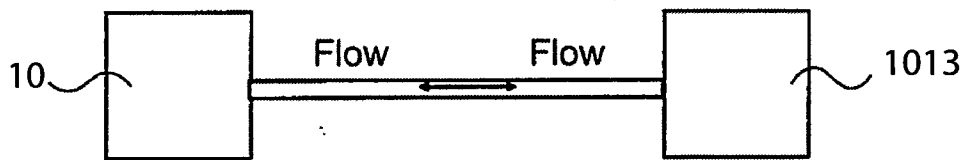


Fig.44

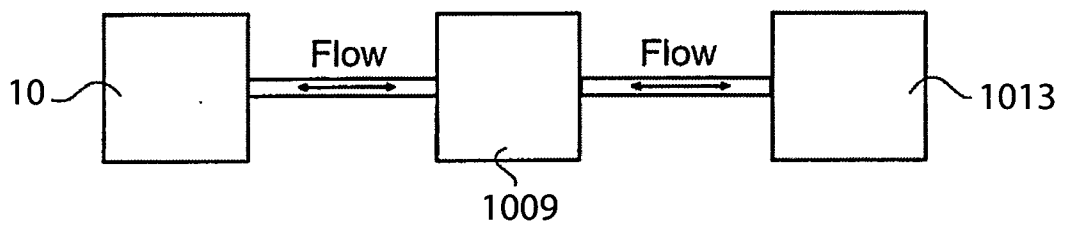


Fig.45

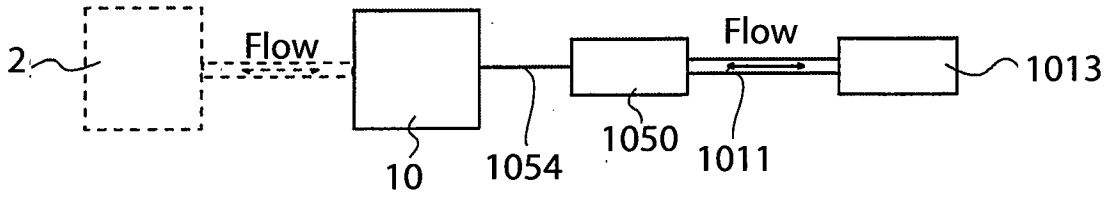


Fig.45 a

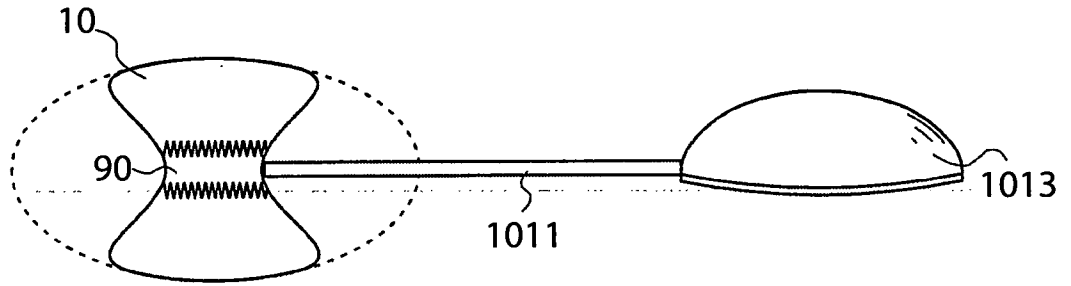


Fig.45 b

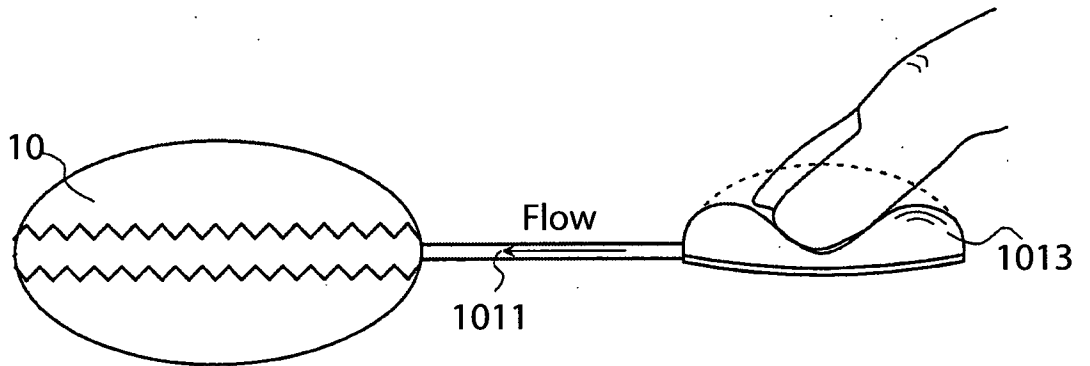


Fig.45 c

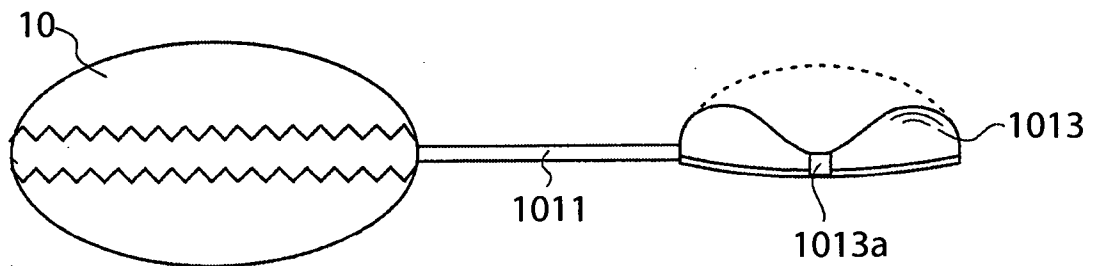


Fig.46

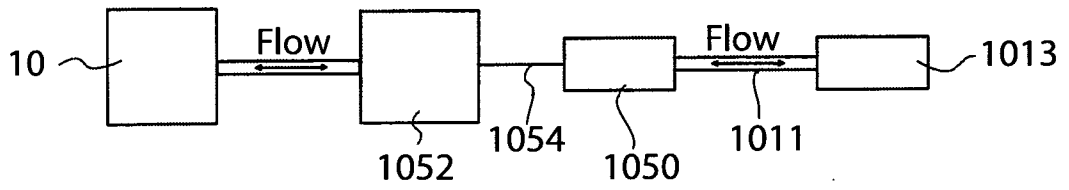


Fig.47 a

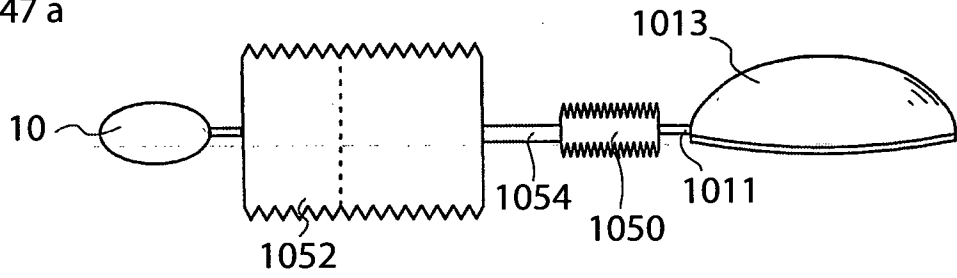


Fig.47 b

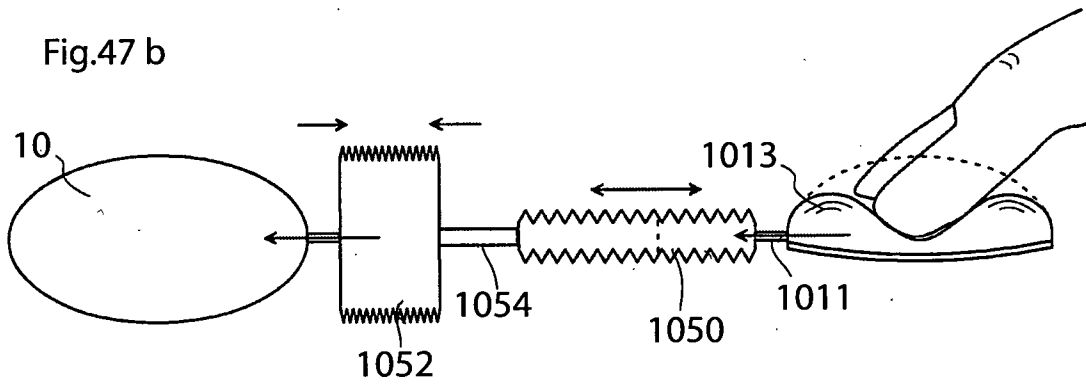
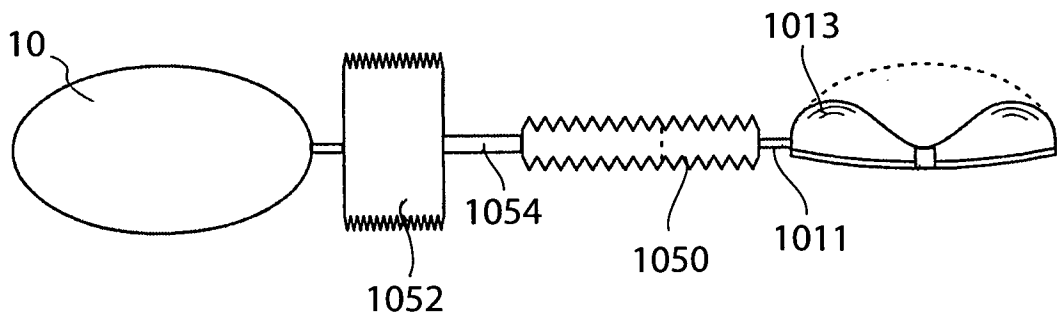
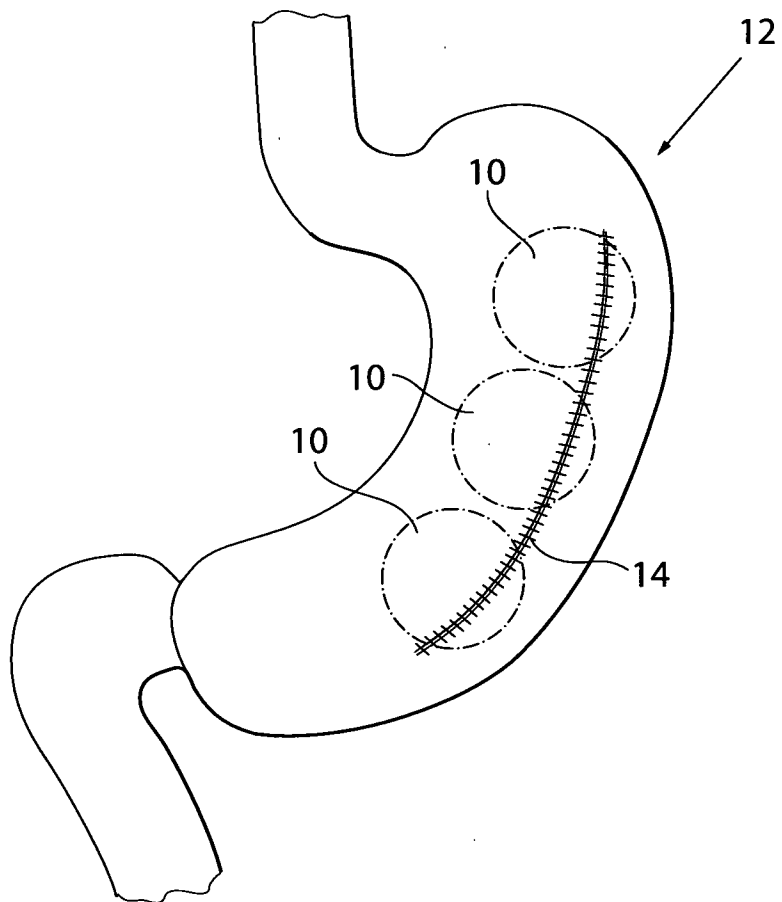


Fig.47 c



40/41

Fig.48



41/41

Fig.49a

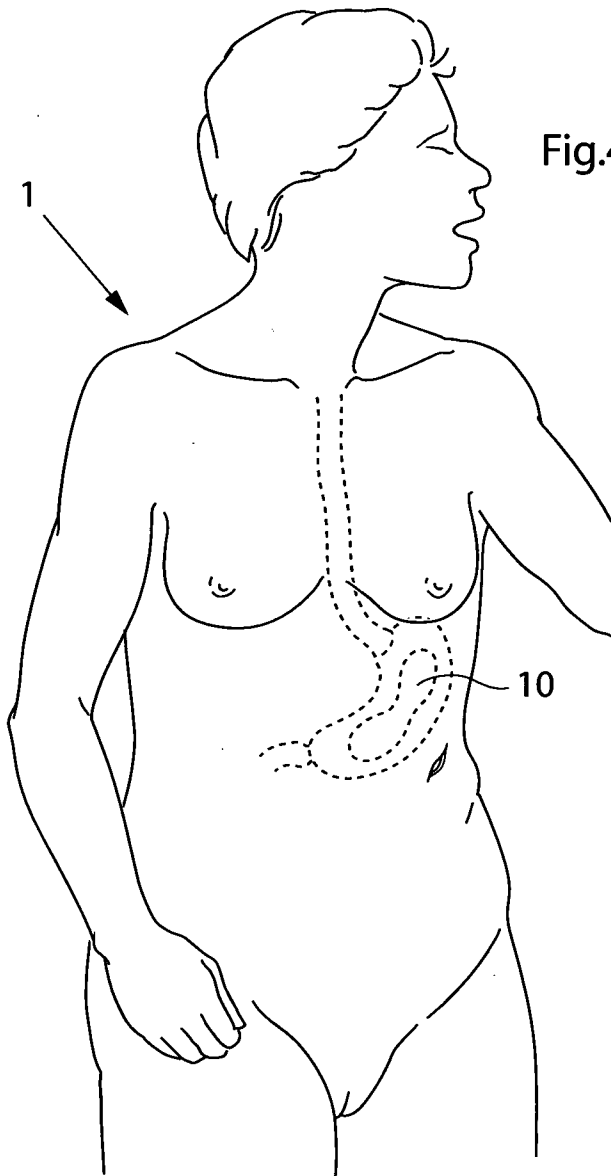
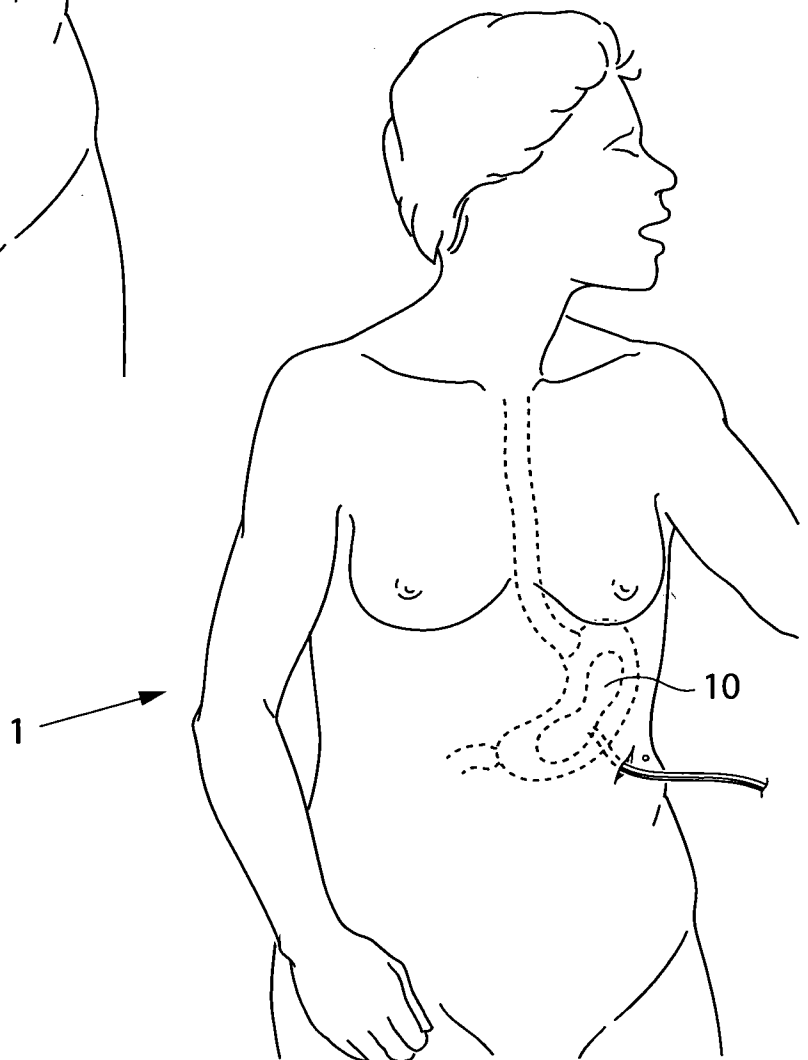


Fig.49b



## INTERNATIONAL SEARCH REPORT

International application No.

PCT/SE2009/000046

<b>A. CLASSIFICATION OF SUBJECT MATTER</b>		
IPC: see extra sheet According to International Patent Classification (IPC) or to both national classification and IPC		
<b>B. FIELDS SEARCHED</b>		
Minimum documentation searched (classification system followed by classification symbols)		
IPC: A61F		
Documentation searched other than minimum documentation to the extent that such documents are included in the fields searched		
SE,DK,FI,NO classes as above		
Electronic data base consulted during the international search (name of data base and, where practicable, search terms used)		
EPO-INTERNAL, WPI DATA, PAJ		
<b>C. DOCUMENTS CONSIDERED TO BE RELEVANT</b>		
Category*	Citation of document, with indication, where appropriate, of the relevant passages	Relevant to claim No.
X	US 20050261712 A1 (D.J. BALBIERZ ET AL), 24 November 2005 (24.11.2005), paragraphs (0038)-(0042), (0045)-(0046), (0048), figures 10, 13A-13G,18,19 --	1-33,45-82
X	US 20070250020 A1 (S. KIM ET AL), 25 October 2007 (25.10.2007), figure 33, claim 1, abstract, paragraphs (0215), (0248), (0287) --	34-36
X	WO 0167964 A2 (MEDIGUS LTD.), 20 Sept 2001 (20.09.2001), figures 5-11, claim 1 --	37-44
<input checked="" type="checkbox"/> Further documents are listed in the continuation of Box C. <input checked="" type="checkbox"/> See patent family annex.		
* Special categories of cited documents: "A" document defining the general state of the art which is not considered to be of particular relevance "E" earlier application or patent but published on or after the international filing date "L" document which may throw doubts on priority claim(s) or which is cited to establish the publication date of another citation or other special reason (as specified) "O" document referring to an oral disclosure, use, exhibition or other means "P" document published prior to the international filing date but later than the priority date claimed "T" later document published after the international filing date or priority date and not in conflict with the application but cited to understand the principle or theory underlying the invention "X" document of particular relevance: the claimed invention cannot be considered novel or cannot be considered to involve an inventive step when the document is taken alone "Y" document of particular relevance: the claimed invention cannot be considered to involve an inventive step when the document is combined with one or more other such documents, such combination being obvious to a person skilled in the art "&" document member of the same patent family		
Date of the actual completion of the international search		Date of mailing of the international search report
10 June 2009		11 -06- 2009
Name and mailing address of the ISA/ Swedish Patent Office Box 5055, S-102 42 STOCKHOLM Facsimile No. + 46 8 666 02 86		Authorized officer  Tomas Lund / MRo Telephone No. + 46 8 782 25 00

## INTERNATIONAL SEARCH REPORT

International application No.

PCT/SE2009/000046

C (Continuation). DOCUMENTS CONSIDERED TO BE RELEVANT		
Category*	Citation of document, with indication, where appropriate, of the relevant passages	Relevant to claim No.
A	US 20030055442 A1 (M.D. LAUFER ET AL), 20 March 2003 (20.03.2003), figures 5-7, claim 1  --	37-44
A	US 20040162568 A1 (V.C. SAADAT ET AL), 19 August 2004 (19.08.2004), figures 40-42, abstract  --	37-44
A	US 5676674 A (H. BOLANOS ET AL), 14 October 1997 (14.10.1997), figures 9-18, abstract  --	37-44
A	US 20060069414 A1 (M.A. IMRAN ET AL), 30 March 2006 (30.03.2006), figures 1-8, paragraphs (0070)-(0071)  --	1-36,45-82
A	US 20040089313 A1 (D.S. UTLEY ET AL), 13 May 2004 (13.05.2004), figures 10-11  --	57-69
A	WO 2006134106 A1 (Q MEDICAL INTERNATIONAL AG), 21 December 2006 (21.12.2006), figures 1,3, abstract  --	1-82
A	US 5297536 A (P.J. WILK), 29 March 1994 (29.03.1994), figure 4, abstract  -- -----	1-82

INTERNATIONAL SEARCH REPORT

International application No.  
PCT/SE2009/000046

**Box No. II Observations where certain claims were found unsearchable (Continuation of item 2 of first sheet)**

This international search report has not been established in respect of certain claims under Article 17(2)(a) for the following reasons:

- 1.  Claims Nos.: 1 - 33 , 81 - 82  
because they relate to subject matter not required to be searched by this Authority, namely:  
**See extra sheet.**
  
- 2.  Claims Nos.:  
because they relate to parts of the international application that do not comply with the prescribed requirements to such an extent that no meaningful international search can be carried out, specifically:
  
- 3.  Claims Nos.:  
because they are dependent claims and are not drafted in accordance with the second and third sentences of Rule 6.4(a).

**Box No. III Observations where unity of invention is lacking (Continuation of item 3 of first sheet)**

This International Searching Authority found multiple inventions in this international application, as follows:

**See extra sheet.**

- 1.  As all required additional search fees were timely paid by the applicant, this international search report covers all searchable claims.
- 2.  As all searchable claims could be searched without effort justifying an additional fees, this Authority did not invite payment of any additional fees.
- 3.  As only some of the required additional search fees were timely paid by the applicant, this international search report covers only those claims for which fees were paid, specifically claims Nos.:
  
- 4.  No required additional search fees were timely paid by the applicant. Consequently, this international search report is restricted to the invention first mentioned in the claims; it is covered by claims Nos.:

- Remark on Protest**
- The additional search fees were accompanied by the applicant's protest and, where applicable, the payment of a protest fee.
  - The additional search fees were accompanied by the applicant's protest but the applicable protest fee was not paid within the time limit specified in the invitation.
  - No protest accompanied the payment of additional search fees.

**INTERNATIONAL SEARCH REPORT**

International application No.  
PCT/SE2009/000046

Box II.1

Claims 1-33 and 81-82 relates to a method for treatment of the human or animal body by surgery or by therapy, see PCT rule 39.1(iv). Nevertheless, a search has been made for these claims. The search has been directed to the technical content of the claims.

Box III

The following separate inventions were identified:

- 1: Claims 1-33, 45-82 directed to arrangements for placing an invaginated volume filling device in the stomach wall.
- 2: Claims 34-36 directed to arrangements for placing a volume filling device external of the stomach wall.
- 3: Claims 37-44 directed to arrangements for treatment of gastric reflux disease (GERD) by fixating the stomach wall to the esophagus wall.

The present application has been considered to contain three inventions which are not linked such that they form a single general inventive concept, as required by Rule 13 PCT for the following reasons:

The single general concept of the present application is the teaching of surgical methods and instruments for treatment of the stomach.

Document D1 discloses a system for treating obesity. D1 discloses methods and instrument for placing an inflatable implant (10) invaginated in the stomach wall (W) and arranged to reduce the effective volume of the stomach (S).

Thus, the single general concept is known and cannot be considered as a single general inventive concept in the sense of Rule 13.1 PCT.

Invention 1 differs mainly from D1 in details regarding the arrangement of a volume filling device.

Invention 2 differs from D1 in aspects regarding arrangements of an extra-gastric device.

Invention 3 differs from D1 in arrangements that is directed to the treatment of gastric reflux disease.

No other features can be distinguished which can be considered as the same or corresponding special technical features in the sense of Rule 13.2 PCT.

Thus, the application lacks unity of invention.

INTERNATIONAL SEARCH REPORT

International application No.  
PCT/SE2009/000046

**International patent classification (IPC)**

**A61F 5/00** (2006.01)  
**A61F 2/04** (2006.01)  
**A61B 17/04** (2006.01)

**Download your patent documents at [www.prv.se](http://www.prv.se)**

The cited patent documents can be downloaded:

- From "Cited documents" found under our online services at [www.prv.se](http://www.prv.se) (English version)
- From "Anförda dokument" found under "e-tjänster" at [www.prv.se](http://www.prv.se) (Swedish version)

Use the application number as username. The password is **QKHJWHUCUC**.

Paper copies can be ordered at a cost of 50 SEK per copy from PRV InterPat (telephone number 08-782 28 85).

Cited literature, if any, will be enclosed in paper form.

**INTERNATIONAL SEARCH REPORT**  
Information on patent family members

International application No.  
PCT/SE2009/000046

US	20050261712	A1	24/11/2005	NONE		
-----						
US	20070250020	A1	25/10/2007	NONE		
-----						
WO	0167964	A2	20/09/2001	AT	295122 T	15/05/2005
				AU	3952501 A	24/09/2001
				AU	2001239525 B	02/12/2004
				CA	2403013 A	20/09/2001
				DE	60110761 D,T	04/05/2006
				EP	1265537 A,B	11/05/2005
				JP	2003526439 T	09/09/2003
				MX	PA02008996 A	15/10/2004
				NZ	521288 A	24/12/2004
				US	7156863 B	02/01/2007
				US	20010056282 A	27/12/2001
-----						
US	20030055442	A1	20/03/2003	NONE		
-----						
US	20040162568	A1	19/08/2004	NONE		
-----						
US	5676674	A	14/10/1997	US	5571116 A	05/11/1996
-----						
US	20060069414	A1	30/03/2006	NONE		
-----						
US	20040089313	A1	13/05/2004	NONE		
-----						
WO	2006134106	A1	21/12/2006	AU	2006259118 A	21/12/2006
				CA	2611999 A	21/12/2006
				CN	101208061 A	25/06/2008
				DE	102005027809 A	28/12/2006
				EP	1890659 A	27/02/2008
				JP	2008546437 T	25/12/2008
				MX	2007015466 A	21/04/2008
				US	20090105735 A	23/04/2009
-----						
US	5297536	A	29/03/1994	US	5458131 A	17/10/1995
-----						