



- (72) BIESER, JOHN O., US
(72) BRUMBELOW, JULIE, US
(72) GOINS, JAMES D., US
(72) KELLEY, DAVID C., US
(72) MOODY, VON, US
(72) MULLINAX, WESLEY W., US
(72) PENG, LICHIH R., US
(72) TURLEY, ROBERT R., US
(71) SHAW INDUSTRIES, INC., US
(51) Int.Cl.⁶ D06N 7/00, D05C 17/02
(30) 1997/02/28 (60/039,217) US
(30) 1998/02/27 (09/032,410) US
(54) **REVETEMENTS DE SOL, DOSSIERS DE REVETEMENTS DE
SOL ET PROCEDES CORRESPONDANTS**
(54) **CARPET, CARPET BACKINGS AND METHODS**

(57) La présente invention se rapporte à un revêtement de sol et à son procédé de fabrication. Selon une réalisation, ledit revêtement de sol comporte (a) un dossier primaire doté d'une face avant et d'une face arrière, (b) une pluralité de fibres attachées au dossier primaire et en saillie à partir de la face avant de ce dossier primaire, et exposées au niveau de la face arrière de ce dernier, (c) un dossier adhésif, (d) un dossier secondaire facultatif adjacent au dossier adhésif, et (e) au moins un polymère éthylénique linéaire à ramification homogène. Ledit procédé consiste à former par extrusion un revêtement contenant au moins un polymère éthylénique linéaire à ramification homogène, sur la face arrière d'un dossier primaire, de façon à constituer un dossier adhésif. Ledit procédé peut également inclure des étapes ou procédures supplémentaires, séparées ou associées en combinaisons. Ces étapes ou procédures supplémentaires peuvent consister en un préchauffage du dossier primaire avant l'étape d'extrusion, en la formation de dossiers adhésifs multicouches, en un lavage ou un désensimage du dossier primaire avant l'étape d'extrusion, et en l'utilisation d'additifs polymères adhésifs, de charges hautes températures, d'agents de gonflement et/ou d'agents d'éclatement. Les constructions et procédés de cette invention sont particulièrement destinés à la fabrication de revêtements de dalles de revêtements de sol.

(57) The present invention pertains to carpet and method of making it. In one aspect, the carpet includes: (a) a primary backing which has a face and a back surface, (b) a plurality of fibers attached to the primary backing and extending from the face of the primary backing and exposed at the back surface of the primary backing, (c) an adhesive backing, (d) an optional secondary backing adjacent to the adhesive backing, and (e) at least one homogeneously branched linear ethylene polymer. The method includes extrusion coating at least one homogeneously branched linear ethylene polymer onto the back surface of a primary backing to provide an adhesive backing. The method can include additional steps or procedures, either separately or in various combinations. Additional steps and procedures include preheating the primary backing prior the extrusion step, multilayer adhesive backings, washing or scouring the primary backing prior the extrusion step, and utilizing adhesive polymeric additives, high heat content fillers, blowing agents and/or implosion agents. The constructions and methods described herein are particularly suited for making carpet tile.



PCT

WORLD INTELLECTUAL PROPERTY ORGANIZATION
International Bureau

INTERNATIONAL APPLICATION PUBLISHED UNDER THE PATENT COOPERATION TREATY (PCT)

(51) International Patent Classification⁶ : D06N 7/00, D05C 17/02	A3	(11) International Publication Number: WO 98/38375 (43) International Publication Date: 3 September 1998 (03.09.98)
(21) International Application Number: PCT/US98/03992 (22) International Filing Date: 27 February 1998 (27.02.98) (30) Priority Data: 60/039,217 28 February 1997 (28.02.97) US Not furnished 27 February 1998 (27.02.98) US (71) Applicant (for all designated States except US): SHAW INDUSTRIES, INC. [US/US]; 616 East Walnut Avenue, Dalton, GA 30722-2128 (US). (72) Inventors; and (75) Inventors/Applicants (for US only): BIESER, John, O. [US/US]; 2115 Banks, Houston, TX 77198 (US). BRUM-BELOW, Julie [US/US]; 1304 Rio Vista Drive, Dalton, GA 30720 (US). GOINS, James, D. [US/US]; 118 Lily, Lake Jackson, TX 77566 (US). KELLEY, David, C. [US/US]; 305 Oak Forest Drive, Angleton, TX 77515 (US). MOODY, Von [US/US]; 39 Miltons Walk, Cartersville, GA 30120 (US). MULLINAX, Wesley, W. [US/US]; 4 Sterling Court, Cartersville, GA 30120 (US). PENG, Lichih, R. [US/US]; 7560 Saint George Boulevard, Fischer, IN 46038 (US). TURLEY, Robert, R. [US/US]; 606 Lake Road, Lake Jackson, TX 77566 (US).	(74) Agent: DUNCAN, Jeffery, M.; Brinks Hofer Gilson & Lione, NBC Tower, Suite 3600, 455 North Cityfront Plaza Drive, Chicago, IL 60611-5599 (US). (81) Designated States: AL, AM, AT, AU, AZ, BA, BB, BG, BR, BY, CA, CH, CN, CU, CZ, DE, DK, EE, ES, FI, GB, GE, GH, GM, GW, HU, ID, IL, IS, JP, KE, KG, KP, KR, KZ, LC, LK, LR, LS, LT, LU, LV, MD, MG, MK, MN, MW, MX, NO, NZ, PL, PT, RO, RU, SD, SE, SG, SI, SK, SL, TJ, TM, TR, TT, UA, UG, US, UZ, VN, YU, ZW, ARIPO patent (GH, GM, KE, LS, MW, SD, SZ, UG, ZW), Eurasian patent (AM, AZ, BY, KG, KZ, MD, RU, TJ, TM), European patent (AT, BE, CH, DE, DK, ES, FI, FR, GB, GR, IE, IT, LU, MC, NL, PT, SE), OAPI patent (BF, BJ, CF, CG, CI, CM, GA, GN, ML, MR, NE, SN, TD, TG). Published <i>With international search report.</i> <i>Before the expiration of the time limit for amending the claims and to be republished in the event of the receipt of amendments.</i> (88) Date of publication of the international search report: 3 December 1998 (03.12.98)	
(54) Title: CARPET, CARPET BACKINGS AND METHODS		
(57) Abstract		
<p>The present invention pertains to carpet and method of making it. In one aspect, the carpet includes: (a) a primary backing which has a face and a back surface, (b) a plurality of fibers attached to the primary backing and extending from the face of the primary backing and exposed at the back surface of the primary backing, (c) an adhesive backing, (d) an optional secondary backing adjacent to the adhesive backing, and (e) at least one homogeneously branched linear ethylene polymer. The method includes extrusion coating at least one homogeneously branched linear ethylene polymer onto the back surface of a primary backing to provide an adhesive backing. The method can include additional steps or procedures, either separately or in various combinations. Additional steps and procedures include preheating the primary backing prior the extrusion step, multilayer adhesive backings, washing or scouring the primary backing prior the extrusion step, and utilizing adhesive polymeric additives, high heat content fillers, blowing agents and/or implosion agents. The constructions and methods described herein are particularly suited for making carpet tile.</p>		

5

CARPET, CARPET BACKINGS AND METHODS

10

15

FIELD OF THE INVENTION

20

25

This invention relates to carpets and methods of making carpets, wherein, for each, the carpets comprise at least one flexible ethylene polymer backing material. In a particular instance, the invention relates to a carpet and a method of making a carpet by an extrusion coating technique, wherein for each the carpet comprises a backing material comprised of at least one homogeneously branched linear ethylene polymer.

BACKGROUND OF THE INVENTION

30

The present invention pertains to any carpet constructed with a primary backing material and includes tufted carpet and non-tufted carpet such as needle punched carpet. Although specific embodiments are amenable to tufted and non-tufted carpet, tufted carpet is preferred.

35

As illustrated in FIG. 1, tufted carpets are composite structures which include yarn (which is also known as a fiber bundle), a primary backing material having a face surface and a back surface, an adhesive backing material and, optionally, a secondary backing material. To form the face surface of tufted carpet, yarn is tufted through the primary backing material such that the longer length of

2

each stitch extends through the face surface of the primary backing material.

Typically, the primary backing material is made of a woven or non-woven material such as a thermoplastic polymer, most commonly polypropylene.

The face of a tufted carpet can generally be made in three ways.

5 First, for loop pile carpet, the yarn loops formed in the tufting process are left intact. Second, for cut pile carpet, the yarn loops are cut, either during tufting or after, to produce a pile of single yarn ends instead of loops. Third, some carpet styles include both loop and cut pile. One variety of this hybrid is referred to as tip-sheared carpet where loops of differing lengths are tufted followed by shearing the
10 carpet at a height so as to produce a mix of uncut, partially cut, and completely cut loops. Alternatively, the tufting machine can be configured so as to cut only some of the loops, thereby leaving a pattern of cut and uncut loops. Whether loop, cut, or a hybrid, the yarn on the back side of the primary backing material comprises tight, unextended loops.

15 The combination of tufted yarn and a primary backing material without the application of an adhesive backing material or secondary backing material is referred to in the carpet industry as raw tufted carpet or greige goods. Greige goods become finished tufted carpet with the application of an adhesive backing material and an optional secondary backing material to the back side of
20 the primary backing material. Finished tufted carpet can be prepared as broadloomed carpet in rolls typically 6 or 12 feet wide. Alternatively, carpet can be prepared as carpet tiles, typically 18 inches square in the United States and 50 cm. square elsewhere.

The adhesive backing material is applied to the back face of the
25 primary backing material to affix the yarn to the primary backing material. Typically, the adhesive backing material is applied by a pan applicator using a roller, a roll over a roller or a bed, or a knife (also called a doctor blade) over a roller or a bed. Properly applied adhesive backing materials do not substantially pass through the primary backing material.

30 Most frequently, the adhesive backing material is applied as a single coating or layer. The extent or tenacity to which the yarn is affixed is referred to as tuft lock or tuft bind strength. Carpets with sufficient tuft bind strength exhibit good

3

wear resistance and, as such, have long service lives. Also, the adhesive backing material should substantially penetrate the yarn (fiber bundle) exposed on the backside of the primary backing material and should substantially consolidate individual fibers within the yarn. Good penetration of the yarn and consolidation of fibers yields good abrasion resistance. Moreover, in addition to good tuft bind strength and abrasion resistance, the adhesive material should also impart or allow good flexibility to the carpet in order to facilitate easy installation of the carpet.

The secondary backing material is typically a lightweight scrim made of woven or non-woven material such as a thermoplastic polymer, most commonly polypropylene. The secondary backing material is optionally applied to the backside of the carpet onto the adhesive backing material, primarily to provide enhanced dimensional stability to the carpet structure as well as to provide more surface area for the application of direct glue-down adhesives.

Alternative backing materials may also be applied to the backside of the adhesive backing material and/or to the backside of the secondary backing material, if present. Alternative backing materials may include foam cushioning (e.g. foamed polyurethane) and pressure sensitive floor adhesives. Alternative backing materials may also be applied, for example, as webbing with enhanced surface area, to facilitate direct glue-down adhesive installations (e.g., in contract commercial carpeting, automobile carpet and airplane carpet where the need for cushioning is oftentimes minimal). Alternative backing materials can also be optionally applied to enhance barrier protection respecting moisture, insects, and foodstuffs as well as to provide or enhance fire suppression, thermal insulation, and sound dampening properties of the carpet.

Known adhesive backing materials include curable latex, urethane or vinyl systems, with latex systems being most common. Conventional latex systems are low viscosity, aqueous compositions that are applied at high carpet production rates and offer good fiber-to-backing adhesion, tuft bind strength and adequate flexibility. Generally, excess water is driven off and the latex is cured by passing through a drying oven. Styrene butadiene rubbers (SBR) are the most common polymers used for latex adhesive backing materials. Typically, the latex backing system is heavily filled with an inorganic filler such as calcium carbonate or

4

Aluminum Trihydrate and includes other ingredients such as antioxidants, antimicrobials, flame retardants, smoke suppressants, wetting agents, and froth aids.

Conventional latex adhesive backing systems can have certain drawbacks. As one important drawback, typical latex adhesive backing systems do not provide a moisture barrier. Another possible drawback, particularly with a carpet having polypropylene yarn and polypropylene primary and secondary backing materials, is the dissimilar polymer of latex systems along with the inorganic filler can reduce the recyclability of the carpet.

In view of these drawbacks, some in the carpet industry have begun seeking suitable replacements for conventional latex adhesive backing systems. One alternative is the use of urethane adhesive backing systems. In addition to providing adequate adhesion to consolidate the carpet, urethane backings generally exhibit good flexibility and barrier properties and, when foamed, can eliminate the need for separate underlayment padding (i.e., can constitute a direct glue-down unitary backing system). However, urethane backing systems also have important drawbacks, including their relatively high cost and demanding curing requirements which necessitate application at slow carpet production rates relative to latex systems.

Thermoplastic polyolefins such as ethylene vinyl acetate (EVA) copolymers and low density polyethylene (LDPE) have also been suggested as adhesive backing materials due in part to their low cost, good moisture stability and no-cure requirements. Various methods are available for applying polyolefin backing materials, including powder coating, hot melt application and extruded film or sheet lamination. However, using polyolefins to replace latex adhesive backings can also present difficulties. For example, US Patent 5,240,530, Table A at Col. 10, indicates that ordinary polyolefin resins possess inadequate adhesion for use in carpet construction. Additionally, relative to latex and other cured systems, ordinary polyolefins have relatively high application viscosities and relatively high thermal requirements. That is, ordinary thermoplastic polyolefins are characterized by relatively high melt viscosities and high recrystallization or solidification temperatures relative to the typical aqueous viscosities and cure

5

temperature requirements characteristic of latex and other cured (thermosetting) systems.

Even ordinary elastomeric polyolefins, i.e. polyolefins having low crystallinities, generally have relatively high viscosities and relatively high
5 recrystallization temperatures. High recrystallization temperatures result in relatively short molten times during processing and, combined with high melt viscosities can make it difficult to achieve adequate penetration of the yarn, especially at conventional adhesive backing application rates.

One method for overcoming the viscosity and recrystallization
10 deficiencies of ordinary polyolefins is to formulate the polyolefin resin as a hot melt adhesive which usually involves formulating low molecular weight polyolefins with waxes, tackifiers, various flow modifiers and/or other elastomeric materials. Ethylene/vinyl acetate (EVA) copolymers, for example, have been used in formulated hot melt adhesive backing compositions and other polyolefins
15 compositions have also been proposed as hot melt backing compositions. For example, in US Patent 3,982,051, Taft et al. disclose that a composition comprising an ethylene/vinyl acetate copolymer, atactic polypropylene and vulcanized rubber is useful as a hot melt carpet backing adhesive.

Unfortunately, hot melt adhesive systems are generally considered
20 not completely suitable replacements for conventional latex adhesive backings. Typical hot melt systems based on EVA and other copolymers of ethylene and unsaturated comonomers can require considerable formulating and yet often yield inadequate tuft bind strengths. However, the most significant deficiency of typical hot melt system is their melt strengths which are generally too low to permit
25 application by a direct extrusion coating technique. As such, polyolefin hot melt systems are typically applied to primary backings by relatively slow, less efficient techniques such as by the use of heated doctor blades or rotating melt transfer rollers.

While unformulated high pressure low density polyethylene (LDPE)
30 can be applied by a conventional extrusion coating technique, LDPE resins typically have poor flexibility which can result in excessive carpet stiffness. Conversely, those ordinary polyolefins that have improved flexibility, such as ultra

6

low density polyethylene (ULDPE) and ethylene/propylene interpolymers, still do not possess sufficient flexibility, have excessively low melt strengths and/or tend to draw resonate during extrusion coating. To overcome extrusion coating difficulties, ordinary polyolefins with sufficient flexibility can be applied by lamination techniques to insure adequate yarn-to-backing adhesion; however, lamination techniques are typically expensive and can result in extended production rates relative to direct extrusion coating techniques.

Known examples of flexible polyolefin backing materials are disclosed in U.S. Patents 3,390,035; 3,583,936; 3,745,054; and 3,914,489. In general, these disclosures describe hot melt adhesive backing compositions based on an ethylene copolymer, such as, ethylene/vinyl acetate (EVA), and waxes. Known techniques for enhancing the penetration of hot melt adhesive backing compositions through the yarn include applying pressure while the greige good is in contact with rotating melt transfer rollers as described, for example, in U.S. Patent 3,551,231.

Another known technique for enhancing the effectiveness of hot melt systems involve using pre-coat systems. For example, U.S. Patents 3,684,600; 3,583,936; and 3,745,054, describe the application of low viscosity aqueous pre-coats to the back surface of the primary backing material prior the application of a hot melt adhesive composition. The hot melt adhesive backing systems disclosed in these patents are derived from multi-component formulations based on functional ethylene polymers such as, for example, ethylene/ethyl acrylate (EEA) and ethylene/vinyl acetate (EVA) copolymers.

Although there are various systems known in the art of carpet backings, there remains a need for a thermoplastic polyolefin carpet backing system which provides adequate tuft bind strength, good abrasion resistance and good flexibility to replace cured latex backing systems. A need also remains for an application method which permits high carpet production rates while achieving the desired characteristics of good tuft bind strength, abrasion resistance, barrier properties and flexibility. Finally, there is also a need to provide a carpet structure having fibers and backing materials that are easily recyclable without the necessity of extensive handling and segregation of carpet component materials.

7
SUMMARY OF THE INVENTION

In accordance with one aspect of the present invention, a carpet
5 comprises a plurality of fibers, a primary backing material having a face and a back
side, an adhesive backing material and an optional secondary backing material,
the plurality of fibers attached to the primary backing material and protruding from
the face of the primary backing material and exposed on the back side of the
primary backing material, the adhesive backing material disposed on the back side
10 of the primary backing material and the optional secondary backing material
adjacent to the adhesive backing material, wherein at least one of the plurality of
fibers, the primary backing material, the adhesive backing material or the optional
secondary backing material is comprised of at least one homogeneously branched
ethylene polymer characterized as having a short chain branching distribution
15 index (SCBDI) of greater than or equal to 50 percent.

Another aspect of the present invention is a method of making a
carpet, the carpet including a plurality of fibers, a primary backing material having
a face and a back side, an adhesive backing material and an optional secondary
backing material, the plurality of fibers attached to the primary backing material
20 and protruding from the face of the primary backing material and exposed on the
back side of the primary backing material, the method comprising the step of
extrusion coating the adhesive backing material or the optional secondary backing
material onto the back side of the primary backing material, wherein the extrusion
coated adhesive backing material or optional secondary backing material is
25 comprised of at least one homogeneously branched ethylene polymer
characterized as having a short chain branching distribution index (SCBDI) of
greater than or equal to 50 percent.

A third aspect of the present invention is a method of making a
carpet, the carpet comprising (i) a greige good having a face surface comprised of
30 a plurality of fibers attached to a primary backing material having a face and a
back side and (ii) an adhesive backing material which comprises at least one
homogeneously branched ethylene polymer characterized as having a short chain
branching distribution index (SCBDI) of greater than or equal to 50 percent and

8

which is in intimate contact with the back side of the primary backing material and has substantially penetrated and substantially consolidated the fibers, the method comprising extrusion coating the adhesive backing material onto the back side of the primary backing material and at least one additional step selected from the

5 group consisting of

(a) preheating the greige good prior to the application of the adhesive backing material,

10 (b) during the extrusion coating of the adhesive backing material, while at a temperature greater than or equal to the softening point of the adhesive backing material, subjecting the adhesive backing material to a vacuum to draw the adhesive backing material onto the back side of the primary backing material,

15 (c) during the extrusion coating of the adhesive backing material, while at a temperature greater than or equal to the softening point of the adhesive backing material, subjecting the adhesive backing material to a positive air pressure device in addition to nip roll pressure to force the adhesive backing material onto the back side of the primary

20 backing material, and

(d) heat soaking the carpet after application of the adhesive backing material onto the back side of the primary backing material.

25 A fourth aspect of the present invention is a carpet comprising a primary backing material having a face and a back side, yarn attached to the primary backing material, an adhesive backing material and an optional secondary backing material, wherein the adhesive backing material comprises at least one

30 homogeneously branched ethylene polymer characterized as having a short chain branching distribution index (SCBDI) of greater than or equal to 50 percent and is in intimate contact with the back side of the primary backing material and has substantially penetrated the yarn, and wherein the adhesive backing material or optional secondary backing material is comprised of an effective amount of at least

9

one additive selected from the group consisting of a blowing agent and high heat content filler with the proviso that where the blowing agent is selected, the adhesive backing material or the optional secondary backing material is further characterized as having a substantially foamed, frothed or expanded non-collapsed matrix.

A fifth aspect of the present invention is a method of making a carpet, the carpet comprising yarn attached to a primary backing material and an adhesive backing material, the adhesive backing material comprises at least one homogeneously branched ethylene polymer characterized as having a short chain branching distribution index (SCBDI) of greater than or equal to 50 percent, and wherein the adhesive backing material is in intimate contact with the primary backing material and has substantially penetrated and substantially consolidated the yarn, the method comprising the step of adding an effective amount of a high heat content filler to the adhesive backing material to substantially extend the semi-molten or molten time of the adhesive backing material and enhance the penetration of the adhesive backing material into the yarn.

A sixth aspect of the invention is a method of making a carpet, the carpet comprising yarn attached to a primary backing material having a face and a back side and an adhesive backing material comprised of at least one first and at least one second ethylene polymer layers, wherein the at least one first ethylene polymer layer is in intimate contact with the back surface of the primary backing material and the at least one first ethylene polymer layer has substantially penetrated and substantially consolidated the yarn, the at least one first ethylene polymer layer having a higher melt index than the at least one second ethylene polymer layer and one of the at least first or at least second ethylene polymer layer comprising at least one homogeneously branched ethylene polymer characterized as having a short chain branching distribution index (SCBDI) of greater than or equal to 50 percent, the method comprising the steps of applying the at least one first ethylene polymer layer directly onto the back surface of the primary backing material and simultaneously or sequentially applying the at least one second ethylene polymer layer onto the at least one first ethylene polymer layer.

10

A seventh aspect of the present invention is a method of making a carpet, the carpet having a foamed, frothed or expanded adhesive backing material matrix and comprising yarn attached to a primary backing material, the adhesive backing material comprising at least one ethylene polymer and is in intimate contact with the primary backing material and has substantially penetrated and substantially consolidated the yarn, the method comprising the step of adding an effective amount of at least one blowing agent to the adhesive backing material and thereafter activating the blowing agent to foam, froth or expand the adhesive backing material.

An eighth aspect of the present invention is a method of making a carpet, the carpet having a collapsed, non-expanded adhesive backing material matrix and comprising yarn attached to a primary backing material, the adhesive backing material comprising at least one ethylene polymer and is in intimate contact with the primary backing material and has substantially penetrated and substantially consolidated the yarn, the method comprising the step of adding an effective amount of at least one implosion agent to the adhesive backing material and thereafter activating the implosion agent during an extrusion coating step such that molten or semi-molten polymer is forced into the free space of yarn exposed on the backside of the primary backing material.

A ninth aspect of the present invention is a method of making a carpet, the carpet having a face surface and comprising yarn, a primary backing material, an adhesive backing material and an optional secondary backing material, wherein the primary backing material has a back surface opposite the face surface of the carpet, the yarn is attached to the primary backing material, the adhesive backing material is applied to the back surface of the primary backing material and the optional secondary backing material is applied onto the adhesive backing material, the method comprising the step of scouring or washing the back surface of the primary backing material prior to the application of the adhesive backing material to substantially remove or displace processing materials.

A tenth aspect of the present invention is a carpet comprising a primary backing material having a face and a back side, yarn attached to the primary backing material, an adhesive backing material and an optional secondary backing material, wherein the adhesive backing material comprises at least one homogeneously

//

branched ethylene polymer characterized as having a short chain branching distribution index (SCBDI) of greater than or equal to 50 percent, at least one adhesive polymeric additive and is in intimate contact with the back side of the primary backing material and has substantially penetrated the yarn.

5 An eleventh aspect of the present invention is a method of making a carpet, and the carpet so made, which includes the steps of providing a primary backing material having a face and a back side, tufting a yarn into the primary backing material to produce a carpet pile on the face side of the primary backing material and loops of the yarn on the back side of the primary backing material, providing an
10 aqueous dispersion of polyolefin particles, applying the dispersion to the back side of the primary backing material, and then applying heat to the dispersion to dry the dispersion and to at least partially melt the polyolefin particles and thereby fix the loops of yarn to the primary backing material

 A twelfth aspect of the invention is a method of making a carpet, and the
15 carpet so made, which method includes the steps of providing a primary backing material having a face and a back side, tufting a yarn into the primary backing material to produce a carpet pile on the face side of the primary backing material and loops of the yarn on the back side of the primary backing material, extruding a first sheet of a first thermoplastic material to the back side of the primary backing, and extruding a
20 second sheet of a second thermoplastic material adjacent the first sheet. In this twelfth aspect, the melt viscosity of the thermoplastic material in the first sheet is lower than the melt viscosity of the thermoplastic material in the second sheet so as to provide for enhanced penetration of the thermoplastic material in the first sheet into at least one of the primary backing material or the loops of yarn on the back side of the
25 primary backing material.

 A thirteenth aspect of the present invention is a method of making a carpet with an extruded sheet as part of its backing wherein prior to the extruding step, at least the back side of the primary backing and loops of the yarn on the back side of the primary backing are treated to remove undesirable chemicals from
30 the surface and thereby enhance the adhesion of the extruded sheet.

12

A fourteenth aspect of the present invention is a carpet tile with an extruded backing. Preferably, the carpet tile is made with a first and second extruded sheet and a reinforcing material embedded between the two sheets.

5 BRIEF DESCRIPTION OF THE DRAWINGS

FIG. 1 is an illustration of a tufted carpet 10.

FIG. 2 is a schematic representation of an extrusion coating line 20 for making a carpet 70.

10 FIG. 3 consists of scanning electron microscopy photomicrographs at 20x magnification (3a) and 50x magnification (3b) illustrating the interfaces of the various carpet components of Example 14.

FIG. 4 consists of scanning electron microscopy photomicrographs at 20x magnification (4a) and 50x magnification (4b) illustrating the interfaces of the
15 various carpet components of Example 22.

FIG. 5 is a X-Y plot of the effect of fiber bundle penetration by the adhesive backing material on the abrasion resistance performance of polypropylene and nylon carpet samples.

FIG. 6 is a cross-section showing the construction of a carpet tile in
20 accordance with the present invention.

FIG. 7 is a schematic representation of an extrusion coating line for making carpet tile according to the present invention.

25 DETAILED DESCRIPTION OF THE PREFERRED EMBODIMENTS

The terms "intimate contact," "substantial encapsulation," and/or "substantial consolidation" are used herein to refer to mechanical adhesion or mechanical interactions (as opposed to chemical bonding) between dissimilar carpet components, irrespective of whether or not one or more carpet component
30 is capable of chemically interacting with another carpet component. With respect to the mechanical adhesion or interactions of the present invention, there may be some effective amount of intermixing or inter-melting of polymeric materials; however, there is no continuous or integral fusing of various components as

13

determined from visual inspection of photomicrographs (at 20x magnification) of the various carpet interfaces. Within this meaning, fusion of yarn or fiber bundles or of individual fibers to one another within a fiber bundle is not considered integral fusion in itself since fibers are referred to herein as one carpet component.

5 The term "intimate contact" refers to the mechanical interaction between the back surface of the primary backing material and the adhesive backing material. The term "substantial encapsulation" refers to the adhesive backing material significantly surrounding the yarn or fiber bundles at or in immediate proximity to the interface between the back surface of the primary
10 backing material and the adhesive backing material. The term "substantial consolidation" refers to the overall integrity and dimensional stability of the carpet that is achieved by substantially encapsulating the yarn or fiber bundles and intimately contacting the back surface of the primary backing material with the adhesive backing material. A substantially consolidated carpet possesses good
15 component cohesiveness and good delamination resistance with respect to the various carpet components.

 The term "integral fusing" is used herein in the same sense as known in the art and refers to heat bonding of carpet components using a temperature above the melting point of the adhesive backing material. Integral fusing occurs
20 when the adhesive backing material comprises the same polymer as either the fibers or primary backing material or both. However, integral fusing does not occur when the adhesive backing material comprises a different polymer than the fibers and primary backing material. By the term "same polymer," it is meant that the monomer units of the polymers are of the same chemistry, although their molecular
25 or morphological attributes may differ. Conversely, by the term "different polymer," it is meant that, irrespective of any molecular or morphological differences, the monomer units of the polymers are of different chemistries. Thus, in accordance with the various definitions of the present invention, a polypropylene primary backing material and a polyethylene adhesive backing material would not integrally
30 fuse because these carpet components are of different chemistries.

The term "carpet component"¹⁴ is used herein to refer separately to carpet fiber bundles, the primary backing material, the adhesive backing material and the optional secondary backing material.

5 The term "extrusion coating" is used herein in its conventional sense to refer to an extrusion technique wherein a polymer composition usually in pellet-form is heated in an extruder to a temperature elevated above its melt temperature and then forced through a slot die to form a semi-molten or molten polymer web. The semi-molten or molten polymer web is continuously drawn down onto a continuously fed greige good to coat the backside of the greige good with the
10 polymer composition. FIG. 2 illustrates an extrusion process of the present invention wherein, at the nip, the face surface of the greige good is oriented towards the chill roll and the back surface of the adhesive backing material oriented is towards the nip pressure roll. Extrusion coating is distinct from a lamination technique.

15 The term "lamination technique" is used herein in its conventional sense refer to applying adhesive backing materials to greige goods by first forming the adhesive backing material as a solidified or substantially solidified film or sheet and thereafter, in a separate processing step, reheating or elevating the temperature of the film or sheet before applying it to the back surface of the
20 primary backing material.

The term "heat content" is used herein to refer to the mathematical product of the heat capacity and specific gravity of a filler. Fillers characterized as having high heat content are used in specific embodiments of the present invention to extend the solidification or molten time of adhesive backing materials. The
25 Handbook for Chemical Technicians, Howard J. Strauss and Milton Kaufmann, McGraw Hill Book Company, 1976, Sections 1-4 and 2-1 provides information on the heat capacity and specific gravity of select mineral fillers. The fillers suitable for use in the present invention do not change their physical state (i.e., remain a solid material) over the extrusion coating processing temperature ranges of the
30 present invention. Preferred high heat content fillers possess a combination of a high specific gravity and a high heat capacity.

15

The term "implosion agent" is used herein to refer to the use of conventional blowing agents or other compounds which out-gas or cause out-gassing when activated by heat, usually at some particular activation temperature. In the present invention, implosion agents are used to implode or force adhesive backing material into the free space of yarn or fiber bundles.

The term "processing material" is used herein to refer to substances such as spin finishing waxes, equipment oils, sizing agents and the like, which can interfere with the adhesive or physical interfacial interactions of adhesive backing materials. Processing materials can be removed or displaced by a scouring or washing technique of the present invention whereby improved mechanical bonding is accomplished.

The terms "polypropylene carpet" and "polypropylene greige goods" are used herein to mean a carpet or greige goods substantially comprised of polypropylene fibers, irrespective of whether the primary backing material for the carpet or greige good is comprised of polypropylene or some other material.

The terms "nylon carpet" and "nylon greige goods" are used herein to mean a carpet or greige goods substantially comprised of nylon fibers, irrespective of whether the primary backing material for the carpet or greige good is comprised of nylon or some other material.

The term "linear" as used to describe ethylene polymers is used herein to mean the polymer backbone of the ethylene polymer lacks measurable or demonstrable long chain branches, e.g., the polymer is substituted with an average of less than 0.01 long branch/1000 carbons.

The term "homogeneous ethylene polymer" as used to describe ethylene polymers is used in the conventional sense in accordance with the original disclosure by Elston in U.S. Patent Number 3,645,992, to refer to an ethylene polymer in which the comonomer is randomly distributed within a given polymer molecule and wherein substantially all of the polymer molecules have substantially the same ethylene to comonomer molar ratio. As defined herein, both substantially linear ethylene polymers and homogeneously branched linear ethylene are homogeneous ethylene polymers.

16

Homogeneously branched ethylene polymers are homogeneous ethylene polymers that possess short chain branches and that are characterized by a relatively high short chain branching distribution index (SCBDI) or relatively high composition distribution branching index (CDBI). That is, the ethylene polymer has a SCBDI or CDBI greater than or equal to 50 percent, preferably greater than or equal to 70 percent, more preferably greater than or equal to 90 percent and essentially lack a measurable high density (crystalline) polymer fraction.

The SCBDI or CDBI is defined as the weight percent of the polymer molecules having a comonomer content within 50 percent of the median total molar comonomer content and represents a comparison of the comonomer distribution in the polymer to the comonomer distribution expected for a Bernoullian distribution.

The SCBDI or CDBI of polyolefins can be conveniently calculated from data obtained from techniques known in the art, such as, for example, temperature rising elution fractionation (abbreviated herein as "TREF") as described, for example, by Wild et al., Journal of Polymer Science, Poly. Phys. Ed., Vol. 20, p. 441 (1982), L. D. Cady, "The Role of Comonomer Type and Distribution in LLDPE Product Performance," SPE Regional Technical Conference, Quaker Square Hilton, Akron, Ohio, October 1-2, pp. 107-119 (1985), or in US Patents 4,798,081 and 5,008,204. However, the preferred TREF technique does not include purge quantities in SCBDI or CDBI calculations. More preferably, the comonomer distribution of the polymer and SCBDI or CDBI are determined using ^{13}C NMR analysis in accordance with techniques described, for example, in U.S. Patent Number 5,292,845 and by J.C. Randall in Rev. Macromol. Chem. Phys., C29, pp. 201-317.

The terms "homogeneously branched linear ethylene polymer" and "homogeneously branched linear ethylene/ α -olefin polymer" means that the olefin polymer has a homogeneous or narrow short branching distribution (i.e., the polymer has a relatively high SCBDI or CDBI) but does not have long chain branching. That is, the linear ethylene polymer is a homogeneous ethylene polymer characterized by an absence of long chain branching. Such polymers can be made using polymerization processes (e.g., as described by Elston in U.S.

17

Patent 3,645,992) which provide a uniform short chain branching distribution (i.e., homogeneously branched). In his polymerization process, Elston uses soluble vanadium catalyst systems to make such polymers, however others, such as Mitsui Petrochemical Industries and Exxon Chemical Company, have reportedly used so-called single site catalyst systems to make polymers having a homogeneous structure similar to polymer described by Elston. U.S. Patent 4,937,299 to Ewen et al. and U.S. Patent 5,218,071 to Tsutsui et al. disclose the use of metallocene catalysts, such as catalyst systems based on hafnium, for the preparation of homogeneously branched linear ethylene polymers. Homogeneously branched linear ethylene polymers are typically characterized as having a molecular weight distribution, M_w/M_n , of less than 3, preferably less than 2.8, more preferably less than 2.3. Commercial examples of suitable homogeneously branched linear ethylene polymers include those sold by Mitsui Petrochemical Industries as Tafmer™ resins and by Exxon Chemical Company as Exact™ resins and Exceed™ resins.

The terms "homogeneous linearly branched ethylene polymer" or "homogeneously branched linear ethylene/^a-olefin polymer" do not refer to high pressure branched polyethylene which is known to those skilled in the art to have numerous long chain branches. The term "homogeneous linear ethylene polymer" generically refers to both linear ethylene homopolymers and to linear ethylene/^a-olefin interpolymers. A linear ethylene/^a-olefin interpolymer possesses short chain branching and the ^a-olefin is typically at least one C₃-C₂₀ ^a-olefin (e.g., propylene, 1-butene, 1-pentene, 4-methyl-1-pentene, 1-hexene, and 1-octene).

When used in reference to an ethylene homopolymer (i.e., a high density ethylene polymer not containing any comonomer and thus no short chain branches), the term "homogeneous ethylene polymer" or "homogeneous linear ethylene polymer" means the polymer was made using a homogeneous catalyst system such as, for example, that described Elston or Ewen or those described by Canich in U.S. Patent Numbers 5,026,798 and 5,055,438, or by Stevens et al. in U.S. Patent Number 5,064,802.

18

The term "substantially linear ethylene polymer" is used herein to refer specially to homogeneously branched ethylene polymers that have long chain branching. The term does not refer to heterogeneously or homogeneously branched ethylene polymers that have a linear polymer backbone. For

5 substantially linear ethylene polymers, the long chain branches have the same comonomer distribution as the polymer backbone, and the long chain branches can be as long as about the same length as the length of the polymer backbone to which they are attached. The polymer backbone of substantially linear ethylene

10 polymers is substituted with about 0.01 long chain branches/1000 carbons to about 3 long chain branches/1000 carbons, more preferably from about 0.01 long chain branches/1000 carbons to about 1 long chain branches/1000 carbons, and especially from about 0.05 long chain branches/1000 carbons to about 1 long chain branches/1000 carbons.

Long chain branching is defined herein as a chain length of at least 6

15 carbons, above which the length cannot be distinguished using ^{13}C nuclear magnetic resonance spectroscopy. The presence of long chain branching can be determined in ethylene homopolymers by using ^{13}C nuclear magnetic resonance (NMR) spectroscopy and is quantified using the method described by Randall (Rev. Macromol. Chem. Phys., C29, V. 2&3, p. 285-297).

20 Although current ^{13}C nuclear magnetic resonance spectroscopy cannot determine the length of a long chain branch in excess of six carbon atoms, there are other known techniques useful for determining the presence of long chain branches in ethylene polymers, including ethylene/1-octene interpolymers. Two such methods are gel permeation chromatography coupled with a low angle

25 laser light scattering detector (GPC-LALLS) and gel permeation chromatography coupled with a differential viscometer detector (GPC-DV). The use of these techniques for long chain branch detection and the underlying theories have been well documented in the literature. See, e.g., Zimm, G.H. and Stockmayer, W.H., J. Chem. Phys., 17, 1301 (1949) and Rudin, A., Modern Methods of Polymer

30 Characterization, John Wiley & Sons, New York (1991) pp. 103-112.

19

A. Willem deGroot and P. Steve Chum, both of The Dow Chemical Company, at the October 4, 1994 conference of the Federation of Analytical Chemistry and Spectroscopy Society (FACSS) in St. Louis, Missouri, presented data demonstrating that GPC-DV is a useful technique for quantifying the presence
5 of long chain branches in substantially linear ethylene polymers. In particular, deGroot and Chum found that the level of long chain branches in substantially linear ethylene homopolymer samples measured using the Zimm-Stockmayer equation correlated well with the level of long chain branches measured using ^{13}C NMR.

10 Further, deGroot and Chum found that the presence of octene does not change the hydrodynamic volume of the polyethylene samples in solution and, as such, one can account for the molecular weight increase attributable to octene short chain branches by knowing the mole percent octene in the sample. By
15 deconvoluting the contribution to molecular weight increase attributable to 1-octene short chain branches, deGroot and Chum showed that GPC-DV may be used to quantify the level of long chain branches in substantially linear ethylene/octene copolymers.

DeGroot and Chum also showed that a plot of $\text{Log}(I_2, \text{melt index})$ as a function of $\text{Log}(\text{GPC Weight Average Molecular Weight})$ as determined by GPC-
20 DV illustrates that the long chain branching aspects (but not the extent of long branching) of substantially linear ethylene polymers are comparable to that of high pressure, highly branched low density polyethylene (LDPE) and are clearly distinct from ethylene polymers produced using Ziegler-type catalysts such as titanium complexes and ordinary homogeneous catalysts such as hafnium and vanadium
25 complexes.

For substantially linear ethylene polymers, the long chain branch is longer than the short chain branch that results from the incorporation of the α -olefin(s) into the polymer backbone. The empirical effect of the presence of long chain branching in the substantially linear ethylene polymers used in the invention
30 is manifested as enhanced rheological properties which are quantified and

20

expressed herein in terms of gas extrusion rheometry (GER) results and/or melt flow, I_{10}/I_2 , increases.

Substantially linear ethylene polymers are homogeneously branched ethylene polymers and are disclosed in U.S. Patent 5,272,236 and U.S. Patent 5,278,272. Homogeneously branched substantially linear ethylene polymers are available from The Dow Chemical Company as AFFINITY™ polyolefin plastomers and from Dupont Dow Elastomers JV as ENGAGE™ polyolefin elastomers. Homogeneously branched substantially linear ethylene polymers can be prepared via the solution, slurry, or gas phase polymerization of ethylene and one or more optional α -olefin comonomers in the presence of a constrained geometry catalyst, such as the method disclosed in European Patent Application 416,815-A. Preferably, a solution polymerization process is used to manufacture the substantially linear ethylene polymer used in the present invention.

The terms "heterogeneous" and "heterogeneously branched" mean that the ethylene polymer is characterized as a mixture of interpolymer molecules having various ethylene to comonomer molar ratios. Heterogeneously branched ethylene polymers are characterized as having a short chain branching distribution index (SCBDI) less than about 30 percent. Heterogeneously branched linear ethylene polymers are available from The Dow Chemical Company as DOWLEX™ linear low density polyethylene and as ATTANE™ ultra-low density polyethylene resins. Heterogeneously branched linear ethylene polymers can be prepared via the solution, slurry or gas phase polymerization of ethylene and one or more optional alpha-olefin comonomers in the presence of a Ziegler Natta catalyst, by processes such as are disclosed in U.S. Patent 4,076,698 to Anderson et al. Heterogeneously branched ethylene polymers are typically characterized as having molecular weight distributions, M_w/M_n , in the range of from 3.5 to 4.1 and, as such, are distinct from substantially linear ethylene polymers and homogeneously branched linear ethylene polymers in regards to both compositional short chain branching distribution and molecular weight distribution.

The substantially linear ethylene polymers used in the present invention are not in the same class as homogeneously branched linear ethylene

21
polymers, nor heterogeneously branched linear ethylene polymers, nor are
substantially linear ethylene polymers in the same class as traditional highly
branched low density polyethylene (LDPE). The substantially linear ethylene
polymers useful in this invention surprisingly have excellent processability, even
5 though they have relatively narrow molecular weight distributions (MWDs). Even
more surprising, the melt flow ratio (I_{10}/I_2) of the substantially linear ethylene
polymers can be varied essentially independently of the polydispersity index (i.e.,
molecular weight distribution (M_w/M_n)). This is contrasted with conventional
heterogeneously branched linear polyethylene resins which have rheological
10 properties such that as the polydispersity index increases, the I_{10}/I_2 value also
increases. The rheological properties of substantially linear ethylene polymers
also differ from homogeneously branched linear ethylene polymers which have
relatively low, essentially fixed I_{10}/I_2 ratios.

We have discovered that substantially linear ethylene polymers and
15 homogeneously branched linear ethylene polymers (i.e., homogeneously branched
ethylene polymers) offer unique advantages for extrusion coated carpet backing
applications, especially for commercial and residential carpet markets.
Homogeneously branched ethylene polymers (including substantially linear
ethylene polymers in particular) have low solidification temperatures, good
20 adhesion to polypropylene, and low modulus relative to conventional ethylene
polymers such as low density polyethylene (LDPE), heterogeneously branched
linear low density polyethylene (LLDPE), high density polyethylene (HDPE), and
heterogeneously branched ultra low density polyethylene (ULDPE). As such,
homogeneously branched ethylene polymers are useful for making carpet fibers,
25 primary backing materials, adhesive backing materials and optional secondary
backing materials. However, homogeneously branched ethylene polymers are
particularly useful as adhesive backing materials for tufted carpet and non-tufted
carpet (e.g., needle-punched carpet) and are especially useful for tufted carpets.

In the present invention, during extrusion coating of the backside of
30 carpet to apply an adhesive backing material, properly selected substantially linear
ethylene polymers and homogeneously branched linear ethylene polymers show
good penetration of carpet yarns (fiber bundles) and also allow good consolidation

22

of the fibers within the yarn. When used for tufted carpets, the tuft bind strength and abrasion resistance of the carpet is increased by the penetration of substantially linear ethylene polymers and homogeneously branched linear ethylene polymers into the yarn. Preferably, a tuft bind (or tuft lock) strength of 5 3.25 pounds (1.5 kg) or more is achieved, more preferably 5 pounds (2.3 kg) or more and most preferably 7.5 pounds (3.4 kg) or more. In addition to improved penetration of the yarn, tuft bind strength can be also be increased by increasing the molecular weight of the polymer. However, a higher polymer molecular weight selected for improved tuft bind strength is contra to the requirement of a lower 10 polymer molecular weight which is generally needed for good yarn penetration and good extrusion coatability. Also, higher polymer densities are desirable for improved chemical and barrier resistance, yet higher densities invariably yield stiffer carpets. As such, polymer properties must be chosen such that a balance is maintained between extrusion coatability and abrasion resistance as well as 15 between chemical resistance and carpet flexibility.

When carpet greige goods are backed with properly selected substantially linear ethylene polymers or homogeneously branched linear ethylene polymers, the low flexural modulus of these polymers offers advantages in ease of carpet installation and general carpet handling. Substantially linear ethylene 20 polymers, in particular, when employed as an adhesive backing material show enhanced mechanical adhesion to polypropylene which improves the consolidation and delamination resistance of the various carpet layers and components, i.e., polypropylene fibers, fiber bundles, the primary backing material, the adhesive backing material and the secondary backing material when optionally applied. 25 Consequently, exceptionally good abrasion resistance and tuft bind strength can be obtained. Good abrasion resistance is especially important in commercial carpet cleaning operations as good abrasion resistance generally improves carpet durability.

Properly selected substantially linear ethylene polymers can allow 30 the elimination of secondary backing materials and as such can result in significant manufacturing cost savings. In addition, carpets adhesively backed with a substantially linear ethylene polymer or homogeneously branched linear ethylene

23

polymer can provide a substantial fluid and particle barrier which enhances the hygienic properties of carpet.

A substantially linear ethylene polymer or homogeneously branched linear ethylene polymer adhesive backing material can allow totally recyclable carpet products particularly where the carpet comprises polypropylene fibers. In addition, the mixture of a substantially linear ethylene polymer or a homogeneously branched linear ethylene polymer with a fiber-grade polypropylene resin can result in an impact modified recycle composition which is useful for injection molding and other molding applications as well as reuse in carpet construction, for example, as the primary backing material or as a blend component of the adhesive backing material polymer composition. That is, polyolefin polymer mixtures can involve sufficiently similar polymer chemistries, compatibilities, and/or miscibilities to permit good recyclability without having sufficient similarities to permit integral fusion.

The preferred homogeneously branched ethylene polymer has a single melting peak between -30°C and 150°C , as determined using differential scanning calorimetry. The most preferred homogeneously branched ethylene polymer for use in the invention is a substantially linear ethylene polymer characterized as having

20

(a) a melt flow ratio, $I_{10}/I_2 \geq 5.63$,

25

(b) a molecular weight distribution, M_w/M_n , as determined by gel permeation chromatography and defined by the equation:

$$(M_w/M_n) \leq (I_{10}/I_2) - 4.63,$$

30

(c) a gas extrusion rheology such that the critical shear rate at onset of surface melt fracture for the substantially linear ethylene polymer is at least 50 percent greater than the critical shear rate at the onset of surface melt fracture for a linear ethylene polymer, wherein the linear ethylene polymer has a homogeneously branched short chain branching distribution and no long chain branching, and wherein the substantially linear ethylene polymer and the linear ethylene polymer are simultaneously ethylene homopolymers or interpolymers of ethylene and at least one $\text{C}_3\text{-C}_{20}$ α -olefin and have the same I_2 and M_w/M_n and wherein the respective critical shear rates of the substantially linear ethylene

35

24

polymer and the linear ethylene polymer are measured at the same melt temperature using a gas extrusion rheometer.

- 5 (d) a single differential scanning calorimetry, DSC, melting peak between -30° and 150°C.

Determination of the critical shear rate in regards to melt fracture as well as other rheology properties such as "rheological processing index" (PI), is performed using a gas extrusion rheometer (GER). The gas extrusion rheometer is described by M. Shida, R. N. Shroff and L.V. Cancio in Polymer Engineering Science, Vol. 17, No. 11, p. 770 (1977), and in "Rheometers for Molten Plastics" by John Dealy, published by Van Nostrand Reinhold Co. (1982) on pp. 97-99. GER experiments are performed at a temperature of 190°C, at nitrogen pressures between about 250 and about 5500 psig (about 1.7 and about 37.4 MPa) using a 0.0754 mm diameter, 20:1 L/D die with an entrance angle of about 180°. For the substantially linear ethylene polymers used herein, the PI is the apparent viscosity (in kpoise) of a material measured by GER at an apparent shear stress of 2.15×10^6 dyne/cm² (2.19×10^4 kg/m²). The substantially linear ethylene polymer for use in the invention have a PI in the range of 0.01 kpoise to 50 kpoise, preferably 15 kpoise or less. The substantially linear ethylene polymers used herein also have a PI less than or equal to 70 percent of the PI of a linear ethylene polymer (either a Ziegler polymerized polymer or a homogeneously branched linear polymer as described by Elston in US Patent 3,645,992) having an I₂ and M_w/M_n, each within ten percent of the substantially linear ethylene polymer.

An apparent shear stress versus apparent shear rate plot is used to identify the melt fracture phenomena and quantify the critical shear rate and critical shear stress of ethylene polymers. According to Ramamurthy in the Journal of Rheology, 30(2), 337-357, 1986, above a certain critical flow rate, the observed extrudate irregularities may be broadly classified into two main types: surface melt fracture and gross melt fracture.

Surface melt fracture occurs under apparently steady flow conditions and ranges in detail from loss of specular film gloss to the more severe form of "sharkskin." Herein, as determined using the above-described GER, the onset of

25

surface melt fracture (OSMF) is characterized at the beginning of losing extrudate gloss at which the surface roughness of the extrudate can only be detected by 40x magnification. As described in U.S. Patent Number 5,278,272, the critical shear rate at the onset of surface melt fracture for the substantially linear ethylene

5 interpolymers and homopolymers is at least 50 percent greater than the critical shear rate at the onset of surface melt fracture of a linear ethylene polymer having essentially the same I_2 and M_w/M_n .

Gross melt fracture occurs at unsteady extrusion flow conditions and ranges in detail from regular (alternating rough and smooth, helical, etc.) to

10 random distortions. For commercial acceptability to maximize the performance properties of films, coatings and moldings, surface defects should be minimal, if not absent. The critical shear stress at the onset of gross melt fracture for the substantially linear ethylene polymers used in the invention, especially those having a density >0.910 g/cc, is greater than 4×10^6 dynes/cm². The critical shear

15 rate at the onset of surface melt fracture (OSMF) and the onset of gross melt fracture (OGMF) will be used herein based on the changes of surface roughness and configurations of the extrudates extruded by a GER.

The homogeneous ethylene polymers used in the present invention are characterized by a single DSC melting peak. The single melting peak is

20 determined using a differential scanning calorimeter standardized with indium and deionized water. The method involves 5-7 mg sample sizes, a "first heat" to about 140°C which is held for 4 minutes, a cool down at 10°/min. to -30°C which is held for 3 minutes, and heat up at 10°C/min. to 150°C for the "second heat". The single melting peak is taken from the "second heat" heat flow vs. temperature curve.

25 Total heat of fusion of the polymer is calculated from the area under the curve.

For polymers having a density of 0.875 g/cc to 0.910 g/cc, the single melting peak may show, depending on equipment sensitivity, a "shoulder" or a "hump" on the low melting side that constitutes less than 12 percent, typically, less than 9 percent, and more typically less than 6 percent of the total heat of fusion of

30 the polymer. Such an artifact is observable for other homogeneously branched polymers such as Exact™ resins and is discerned on the basis of the slope of the single melting peak varying monotonically through the melting region of the artifact.

26

Such an artifact occurs within 34°C, typically within 27°C, and more typically within 20°C of the melting point of the single melting peak. The heat of fusion attributable to an artifact can be separately determined by specific integration of its associated area under the heat flow vs. temperature curve.

5 Whole polymer product samples and individual polymer components are analyzed by gel permeation chromatography (GPC) on a Waters 150 high temperature chromatographic unit equipped with three mixed porosity columns (Polymer Laboratories 10³, 10⁴, 10⁵ and 10⁶ Å), operating at a system temperature of 140°C.. The solvent is 1,2,4-trichlorobenzene, from which 0.3 percent by weight
10 solutions of the samples are prepared for injection. The flow rate is 1.0 milliliters/minute and the injection size is 100 microliters.

The molecular weight determination with is deduced by using narrow molecular weight distribution polystyrene standards (from Polymer Laboratories) in conjunction with their elution volumes. The equivalent polyethylene molecular
15 weights are determined by using appropriate Mark-Houwink coefficients for polyethylene and polystyrene (as described by Williams and Ward in Journal of Polymer Science, Polymer Letters, Vol. 6, p. 621, 1968) to derive the following equation:

$$M_{\text{polyethylene}} = a * (M_{\text{polystyrene}})^b$$

20 In this equation, a = 0.4316 and b = 1.0. Weight average molecular weight, M_w , and number average molecular weight, M_n , are calculated in the usual manner according to the following formula: $M_j = (\sum w_i (M_i^j))^j$; where w_i is the weight fraction of the molecules with M_i eluting from the GPC column in fraction i and $j=1$
25 when calculating M_w and $j=-1$ when calculating M_n .

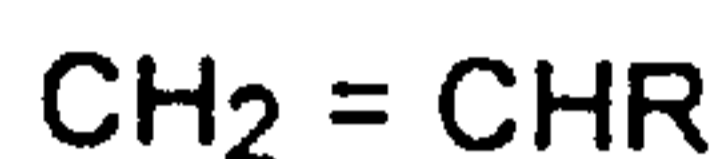
The molecular weight distribution (M_w/M_n) for the substantially linear ethylene polymers and homogeneous linear ethylene polymers used in the present invention is generally from about 1.8 to about 2.8.

30 However, substantially linear ethylene polymers are known to have excellent processability, despite having a relatively narrow molecular weight

27

distribution. Unlike homogeneously and heterogeneously branched linear ethylene polymers, the melt flow ratio (I_{10}/I_2) of substantially linear ethylene polymers can be varied essentially independently of their molecular weight distribution, M_w/M_n .

Suitable homogeneously branched ethylene polymers for use in the present invention include interpolymers of ethylene and at least one α -olefin prepared by a solution, gas phase or slurry polymerization process or combinations thereof. Suitable α -olefins are represented by the following formula:



where R is a hydrocarbyl radical. Further, R may be a hydrocarbyl radical having from one to twenty carbon atoms and as such the formula includes C_3 - C_{20} α -olefins. Suitable α -olefins for use as comonomers include propylene, 1-butene, 1-isobutylene, 1-pentene, 1-hexene, 4-methyl-1-pentene, 1-heptene and 1-octene, as well as other comonomer types such as styrene, halo- or alkyl-substituted styrenes, tetrafluoro-ethylene, vinyl benzocyclobutane, 1,4-hexadiene, 1,7-octadiene, and cycloalkenes, e.g., cyclopentene, cyclohexene and cyclooctene. Preferably, the comonomer will be 1-butene, 1-pentene, 4-methyl-1-pentene, 1-hexene, 1-heptene, 1-octene, or mixtures thereof, as adhesive backing materials comprised of higher α -olefins will have especially improved toughness. However, most preferably, the comonomer will be 1-octene and the ethylene polymer will be prepared in a solution process.

The density of the substantially linear ethylene polymer or homogeneously branched linear ethylene polymer, as measured in accordance with ASTM D-792, does not exceed 0.92 g/cc, and is generally in the range from about 0.85 g/cc to about 0.92 g/cc, preferably from about 0.86 g/cc to about 0.91 g/cc, and especially from about 0.86 g/cc to about 0.90 g/cc.

The molecular weight of the homogeneously branched linear ethylene polymer or substantially linear ethylene polymer is conveniently indicated using a melt index measurement according to ASTM D-1238, Condition 190°C/2.16 kg (formerly known as "Condition (E)" and also known as I_2). Melt index is inversely proportional to the molecular weight of the polymer. Thus, the higher the

28

molecular weight, the lower the melt index, although the relationship is not linear. The melt index for the homogeneously branched linear ethylene polymer or substantially linear ethylene polymer is generally from about 1 grams/10 minutes (g/10 min) to about 500 g/10 min, preferably about 2 g/10 min. to about 300 g/10 min., more preferably from about 5 g/10 min to about 100 g/10 min., especially from about 10 g/10 min. to about 50 g/10 min., and most especially about 25 to about 35 g/10 min.

Another measurement useful in characterizing the molecular weight of the homogeneous linear ethylene polymer or the substantially linear ethylene polymer is conveniently indicated using a melt index measurement according to ASTM D-1238, Condition 190°C/10 kg (formerly known as "Condition (N)" and also known as I_{10}). The ratio of the I_{10} and the I_2 melt index terms is the melt flow ratio and is designated as I_{10}/I_2 . For the substantially linear ethylene polymer, the I_{10}/I_2 ratio indicates the degree of long chain branching, i.e., the higher the I_{10}/I_2 ratio, the more long chain branching in the polymer. The I_{10}/I_2 ratio of the substantially linear ethylene polymer is at least 6.5, preferably at least 7, especially at least 8. The I_{10}/I_2 ratio of the homogeneously branched linear ethylene polymer is generally less than 6.3.

Preferred ethylene polymers for us in the present invention have a relative low modulus. That is, the ethylene polymer is characterized as having a 2% secant modulus less than 24,000 psi (163.3 MPa), especially less than 19,000 psi (129.3 MPa) and most especially less than 14,000 psi (95.2 MPa), as measured in accordance with ASTM D790.

Preferred ethylene polymers for use in the a present invention are substantially amorphous or totally amorphous. That is, the ethylene polymer is characterized as having a percent crystallinity less than 40 percent, preferably less than 30 percent, more preferably less than 20 and most preferably less than 10 percent, as measured by differential scanning calorimetry using the equation percent crystallinity = $H_f/292 \cdot 100$, where H_f is the heat of fusion in Joules/gram.

The homogeneously branched ethylene polymer can be used alone or can be blended or mixed with one or more synthetic or natural polymeric

29

material. Suitable polymers for blending or mixing with homogeneously branched ethylene polymers used in the present invention include, but are not limited to, another homogeneously branched ethylene polymer, low density polyethylene, heterogeneously branched LLDPE, heterogeneously branched ULDPE, medium
5 density polyethylene, high density polyethylene, grafted polyethylene (e.g. a maleic anhydride extrusion grafted heterogeneously branched linear low polyethylene or a maleic anhydride extrusion grafted homogeneously branched ultra low density polyethylene), ethylene acrylic acid copolymer, ethylene vinyl acetate copolymer, ethylene ethyl acrylate copolymer, polystyrene, polypropylene,
10 polyester, polyurethane, polybutylene, polyamide, polycarbonate, rubbers, ethylene propylene polymers, ethylene styrene polymers, styrene block copolymers, and vulcanates.

The actual blending or mixing of various polymers may be conveniently accomplished by any technique known in the art including, but not
15 limited to, melt extrusion compounding, dry blending, roll milling, melt mixing such as in a Banbury mixer and multiple reactor polymerization. Preferred blends or mixtures include a homogeneously branched ethylene polymer and a heterogeneously branched ethylene α -olefin interpolymer wherein the α -olefin is a C_3 - C_8 α -olefin prepared using two reactors operated in parallel or in series with
20 different catalyst systems employed in each reactor. Multiple reactor polymerizations are described in copending applications USSN 08/544,497, filed October 18, 1995 and USSN 08/327,156, filed October 21, 1994. However, preferred multiple reactor polymerizations comprise non-adiabatic solution loop reactors as described in provisional applications USSN 60/014696 and USSN
25 60/014705, both filed April 1, 1996.

A range of resin properties, processing conditions and equipment configurations have been discovered for extrusion coatable carpet backing systems that deliver performance similar or better than incumbent latex and polyurethane systems.

30 FIG. 1 is an illustration of a tufted carpet 10. The tufted carpet 10 is made of a primary backing material 11 with yarn 12 tufted therethrough; an adhesive backing material 13 which is in intimate contact with the back surface of

30

the primary backing material 11, substantially encapsulates the yarn 12 and penetrates the yarn 12 and binds individual carpet fibers; and an optional secondary backing material 14 applied to the back surface of the adhesive backing material 13.

5 FIG. 2 is an illustration of an extrusion coating line 20 for making a carpet 70. The line 20 includes an extruder 21 equipped with a slot die 22, a nip roll 24, a chill roll 23, an exhaust hood 26, a greige good feeder roll 28 and a pre-heater 25. As illustrated, the nip roll is preferably equipped with a vacuum slot 29 to draw a vacuum across about 60 degrees or about 17 percent of its
10 circumference and is equipped with a vacuum pump 27. The slot die 22 dispenses an adhesive backing material in the form of a semi-molten or molten polymer web 30 onto greige good 40 with the polymer web 30 towards the chill roll 23 and the greige good 40 towards the optional vacuum nip roll 24. As illustrated, an optional secondary backing material 50 is applied onto the polymer web 30. The point
15 where the nip roll 24 and the chill roll 23 are closest to one another is referred to as the nip 60.

The present invention is useful in producing carpets with face yarn made from various materials including, but not limited to, polypropylene, nylon, wool, cotton, acrylic, polyester and polytrimethylenetheraphthalate (PTT).
20 However, again because one of the objects of the present invention is to provide a recyclable carpet such as, for example, a 100% polyolefin carpet, the most preferred yarn comprises a polyolefin, more preferably, polypropylene. Most preferably, the yarn used in the present invention is an air entangled 2750 denier polypropylene yarn such as that produced by Shaw Industries, Inc. and sold under
25 the designation "Permacolor 2750 Type 015."

The preferred primary backing material comprises a polyolefin, more preferably polypropylene. Most preferably, the primary backing material is a slit film polypropylene sheet such as that sold by AMOCO or Synthetic Industries. Alternatively, other types of primary backing materials, such as non-woven webs,
30 can also be used. Although other materials, such as polyesters or polyamides can be used for the primary backing material, it is preferred to use a polyolefin so that

31
the objective of producing a carpet made entirely from polyolefins is achieved. In addition, polypropylene primary backing materials are typically lower in cost.

The method of tufting or needle-punching the yarn is not deemed critical to the present invention. Thus, any conventional tufting or needle-punching apparatus and stitch patterns can be used. Likewise, it does not matter whether tufted yarn loops are left uncut to produce a loop pile; cut to make cut pile; or cut, partially cut and uncut to make a face texture known as tip sheared.

After the yarn is tufted or needle-punched into the primary backing material, the greige good is typically rolled up with the back side of the primary backing material facing outward and held until it is transferred to the backing line.

In a preferred embodiment, the greige good is scoured or washed before it has an adhesive backing material extruded thereon. In particular, yarn that is tufted or needle-punched to make carpet often has varying quantities of processing materials, most commonly oily or waxy chemicals, known as spin-finish chemicals, remaining thereon from the yarn manufacturing processes. It has been found to be preferable to remove or displace all or substantially all of these processing materials prior to extruding the adhesive backing material onto the back surface of the primary backing material. A preferred scouring or washing method includes passing the greige good through a bath containing an aqueous detergent solution at about 64 to about 70°C (e.g., 67°C). Suitable detergents include, but are not limited to, STA which is available from American Emulsions. After the detergent washing processing step, the greige good is dried or preheated. Drying can be accomplished at a temperature of about 108°C to about 112°C (e.g., 110°C) for about 1.8 to about 2.2 minutes (e.g., 2 minutes).

Another preferred scouring or washing method includes using a wet vacuum cleaner system that initially dispenses ambient temperature water or heated water (either optionally containing a detergent or cleaning solution) onto the primary backing material side of the greige good and then sequentially vacuums up the water and retained amounts of processing materials. The wet vacuum system is suitably adapted with a dispensing and vacuum wand or head such that the entire width of the greige good can be wet vacuumed at least once on a continuous extrusion coating line. After the wet vacuuming processing step, the

32

greige good is suitably dried and/or preheated. Suitable detergents, cleaning solutions or cleaning concentrates for use in a wet vacuuming method includes, but is not limited to, aqueous alkaline solutions, for example, those consisting of ethylene diamine tetracetic acid tetrasodium salt. One suitable wet vacuum cleaner system is the Rinsevac™ carpet cleaning system and one suitable cleaning concentrate is the Rinsevac™ Professional Carpet Cleaner both supplied by Blue Lustre Products, Inc., Indianapolis, In.

Other suitable methods of the present invention for scouring or washing processing materials, adaptable to an extrusion coating line such as, for example, the one illustrated in FIG. 2, include steam cleaning, flashing at elevated temperatures and/or under vacuum, and solvent chemical washing of the greige good.

It is also contemplated that the use of polyolefin waxes (rather than conventional organic and mineral oils) as processing materials would allow improved adhesive backing material performance in itself or at least less demanding scouring or washing requirements. Nevertheless, practitioners will find that scouring or washing requirements may vary with the amount and specific type of processing materials present. That is, higher quantities of process materials and/or higher molecular processing materials may require more stringent scouring and washing techniques such as, for example, multiple washing and drying steps using concentrated washing solutions based on softened or deionized water. Practitioners will also recognize that scouring and washing requirements for effectively removing or displacing processing materials may be more extensive than ordinary washings or other cleaning procedures performed for cosmetic or decorative purposes or performed to simply remove loose fibers, primary backing material or other debris that ordinarily result from tufting, needle-punch and/or cutting operations.

In another aspect of the present invention, the greige good is coated with an aqueous pre-coat material, either as a final backing or preferably before an adhesive backing material is extruded thereon. The particles in this dispersion can be made from various polyolefin materials such as ethylene acrylic acid (EAA), ethylene vinyl acetate (EVA), polypropylene or polyethylene (e.g., low density

33

polyethylene (LDPE), linear low density polyethylene (LLDPE) or substantially linear ethylene polymer, or mixtures thereof). Presently, polyethylene particles are preferred. Most preferably, the polyethylene particles are those sold by Quantum USI Division under the designation "Microthene FN500."

5 Preferably, the polyolefin particles are present in an amount between about 10 and 75 percent by weight of the dispersion, more preferably between about 20 and about 50 percent, and most preferably between about 25 and about 33 percent.

10 The particle size of the polyolefin particles is important both to ensure that a good dispersion is achieved and also to ensure that the polyolefin particles penetrate the yarn and primary backing so as to provide good abrasion resistance. Preferably, the average particle size of the polyolefin particles is between about 1 and about 1000 microns, and more preferably between about 5 and 40 microns. The most preferred polyethylene particles referred to above have
15 an average particle size of about 18 to about 22 microns (e.g., 20 microns).

Preferably, the polyolefin particles have a Vicat softening point (as measured in accordance with ASTM D1525) between about 50 and about 100°C, and more preferably between about 75 and 100°C. The most preferred polyethylene particles referred to above have a softening point of about 80° to
20 about 85°C (e.g., 83°C).

When polypropylene particles are used, they preferably have a melt flow (ASTM D-1238 Condition 210/2.16) between about 1 to about 80, most preferably between about 60 and about 80. When polyethylene particles are used, they preferably have an I₂ melt index (ASTM D-1238 Condition 190/2.16) between
25 about 1 and about 100 g/10 minutes, and more preferably between about 20 and about 25 g/10 minutes. The most preferred polyethylene particles referred to above have an I₂ melt index of t 22 g/10 minutes.

Ethylene acrylic acid (EAA) may be used for the polyolefin particles, preferably in combination with polyethylene or polypropylene particles. It has been
30 found that EAA can increase the adhesion of the pre-coat to the yarn and primary backing, as well as to a thermoplastic sheet extruded thereon.

34

The aqueous dispersion preferably contains other ingredients. For example, a surfactant is preferably included to aid in keeping the polyolefin particles dispersed. Suitable surfactants are nonionic, anionic, cationic and fluorosurfactants. Preferably, the surfactant is present in an amount between about 5 0.01 and about 1 weight percent based on the total weight of the dispersion. More preferably, the surfactant is anionic. Most preferably, the surfactant is one sold by Ciba Geigy under the designation "Igepal C0430" and is present at 0.1 weight percent based on the total weight of the dispersion.

A thickener is also preferably included to provide a suitable viscosity 10 to the dispersion. Preferably, the thickener is one selected from the group consisting of sodium and ammonium salts of polyacrylic acids and is present in an amount between about 0.1 and about 2 weight percent based on the total weight of the dispersion. Most preferably, the thickener is a salt of a polyacrylic acid such as that sold by Sun Chem International under the designation "Print Gum 600" and is 15 present at about 0.8 weight percent based on the total weight of the dispersion.

Preferably, the viscosity of the dispersion measured on a Brookfield RVT viscometer is between about 3000 cP (centipoises) at 20 rpm with a No. 5 spindle and about 50,000 cP at 2.5 rpm with a No. 5 spindle measured at 23°C. Most preferably, the viscosity of the dispersion is between about 10,000 and 20 20,000 cP at 2.5 rpm with a No. 5 spindle.

In addition, the dispersion preferably includes a defoaming agent. Preferably, the defoaming agent is a non-silicone defoaming agent and is present in an amount between about 0.01 and about 1.0 weight percent based on the total weight of the dispersion. Most preferably, the defoamer is one such as that sold by 25 LENMAR Chemical Corporation under the designation "MARFOAM N-24A" and is present at about 0.1 weight percent based on the total weight of the dispersion.

Preferably, the aqueous dispersion further includes a dispersion enhancer, such as fumed silica which has been found to act as a compatibilizer for the dispersion, thus allowing the use of larger polyolefin particles. Preferably, the 30 fumed silica is present at between about 0.1 and about 0.2 weight percent based on the total weight of the dispersion. Most preferably, the fumed silica is one such as that sold by DeGussa under the designation "Aerosil 300."

35

The aqueous dispersion of polyolefin particles can be made up in various ways. Preferably, the ingredients are added to the water in the following order: surfactant, defoamer, polyolefin, thickener. The mixture is then agitated in a homogenous mixer, preferably with high shear mixing, until all lumps have dispersed, typically for about 8 to about 12 minutes (e.g., 10 minutes).

The dispersion can be applied to the carpet in various ways. For example, the dispersion can be applied directly, such as with a roll over roller applicator, or a doctor blade. Alternatively, the dispersion can be applied indirectly, such as with a pan applicator. Preferably, a roll over roller applicator is used with the top roller turning at about 22 to about 27 percent of line speed (e.g., 25 percent of line speed).

The amount of dispersion applied and the concentration of the particles can be varied depending on the desired processing and product parameters. Preferably, the amount of dispersion applied and the concentration of the particles are selected so as to apply between about 4 and about 12 ounces per square yard (OSY) (about 141.5 and about 424.4 cm³/m²) of carpet. Most preferably, this is achieved by using a dispersion containing about 50 weight percent polyolefin particles (based on the total weight of the dispersion) and applying between about 8 and about 10 OSY (about 283 and about 353.7 cm³/m²) of the dispersion.

After application of the dispersion, heat is applied to the back side of the primary backing so as to dry the dispersion and to at least partially melt the particles. As a result, the loops of yarn are fixed to the primary backing. Preferably, the heat is applied by passing the product through an oven. Such an oven is preferably set at a temperature between about 100 and about 150°C and the product spends between about 2 and about 5 minutes passing through the oven. Also, since the object is to at least partially melt the particles, the temperature of the oven is set at between about 5 and about 75°C above the Vicat softening point of the polyolefin particles.

After treatment with the dispersion of polyolefin particles, the carpet may be used as is or, more preferably, may have an additional backing applied thereto. Additional backings can be applied by various methods with the preferred

36

method, as described above, involving the use of an extruded sheet of a thermoplastic material, preferably the homogeneously branched ethylene polymer described above, onto which a conventional secondary backing is laminated. In particular, a molten thermoplastic material is preferably extruded through a die so
5 as to make a sheet which is as wide as the carpet. The molten, extruded sheet is applied to the back side of the primary carpet backing. Since the sheet is molten, the sheet will conform to the shape of the loops of yarn and further serve to fix the loops in the primary backing.

Extrusion coating configurations include a monolayer T-type die,
10 single-lip die coextrusion coating, dual-lip die coextrusion coating, and multiple stage extrusion coating. Preferably, the extrusion coating equipment is configured to apply a total coating weight of between about 4 and about 30 ounces/yd² (OSY) (about 141.5 and about 1061.1 cm³/m²), with between about 18 OSY (about 636.7 cm³/m²) and about 22 OSY (about 778.1 cm³/m²), e.g., 20 OSY, (707.4 cm³/m²)
15 being most preferred.

Measured another way, the thickness of an unexpanded, collapsed extrusion coated adhesive backing material is in the range from about 6 to about 80 mils, preferably from about 10 to about 60 mils (about 0.25 to about 1.52 mm), more preferably from about 15 to about 50 mils (about 0.38 to about 1.27 mm), and
20 most preferably from about 20 to about 40 mils (about 0.51 to about 1.02 mm).

The line speed of the extrusion process will depend on factors such as the particular polymer being extruded, the exact equipment being used, and the weight of polymer being applied. Preferably, the line speed is between about 18 and about 250 ft./min. (about 5.5 and about 76.2 m/min.), more preferably between
25 about 80 and about 220 ft./min. (about 24.4 and about 67.1 m/min.), most preferably between about 100 and about 200 ft./min. (about 30.5 and about 61 m/min.).

The extrusion coating melt temperature principally depends on the particular polymer being extruded. When using the most preferred substantially
30 linear polyethylene described above, the extrusion coating melt temperature is greater than about 450°F (232°C), preferably greater than or equal to about 500°F (about 260°C), or is between about 450° (about 232°C) and about 650°F (about

37
343°C), more preferably between about 475° (about 246°C) and about 600°F (about 316°C), most preferably between about 500° and about 550°F (about 260° and about 288°C).

5 Preferably, two layers of resin, each layer comprising a different resin, are extruded with the layer applied directly onto the backside of the primary backing material (first layer) having a higher melt index than the second layer which is applied onto the backside of the first layer. Since it is the first layer which is relied on to encapsulate and penetrate the yarn, this layer should have a melt index high enough (melt viscosity low enough) to promote encapsulation and
10 penetration of the yarn. The second layer, which is generally not relied on to encapsulate and penetrate the yarn, may be used either as the bottom surface of the carpet or to facilitate the application of an optional secondary backing material. For both of these uses, it is preferred to have a lower melt index to provide higher strength after cooling. In addition, because it is not relied on for encapsulating or
15 penetrating the fiber bundles, a resin of lower quality and/or less tightly controlled properties may be used in the second layer. In a preferred embodiment, the second layer is a recycled feedstock.

Also, the first and second layers may consist of different polymer chemistries or compositions. For example, the first layer can be comprised of an
20 adhesive polymer (as an additive or as the composition of the entire layer) such as, but not limited to, an ethylene vinyl acetate copolymer, an ethylene acrylic acid copolymer or a maleic anhydride/ethylene polymer graft (preferably, a substantially linear ethylene polymer/maleic anhydride extrusion graft or a high density polyethylene/maleic anhydride extrusion graft) and the second layer can be
25 comprised of a non-polar polymer such as a homogeneously branched ethylene polymer, a low density polyethylene or ultra low density polyethylene. Alternately, the first layer can be comprised of a non-polar polymer and the second layer can be comprised of an adhesive polymer.

30 Preferably, the first layer has an I₂ melt index between about 30 and about 175 g/10 min. and the second layer has an I₂ melt index between about 1 and about 70 g/10 min. Most preferably, the first layer has an I₂ melt index

38

between about 30 and about 70 g/10 min and the second layer has an I₂ melt index between about 10 and about 30 g/10 min.

It is also preferred to extrude two layers of a single polymer composition so as to have greater control over the thickness or weight of the resin applied to the carpet. In alternative embodiments, three or more layers of the resin can be extruded on the back surface of the primary backing material to achieve even higher coat weights and/or to obtain a more gradual transition between the first and last layer applied. Preferably, a dual lip die is used to apply two layers. Alternatively, two or more extrusion stations or a single lip coextrusion die can be used to apply these two or more layers.

Another aspect of the present invention is the use of modified homogeneously branched ethylene polymers. In particular, in certain aspects of the invention the at least one homogeneously branched ethylene polymer that is employed as the adhesive backing material, primary backing material or yarn, preferably as the adhesive backing material, is modified by the addition of at least one adhesive polymeric additive. Suitable adhesive polymeric additives include polymer products comprised of (1) one or more ethylenically unsaturated carboxylic acids, anhydrides, alkyl esters and half esters, e.g., acrylic acid, methacrylic acid, maleic acid, maleic anhydride, itaconic acid, fumaric acid, crotonic acid and citraconic acid, citraconic anhydride, succinnic acid, succinnic anhydride, methyl hydrogen maleate, and ethyl hydrogen maleate; esters of ethylenically unsaturated carboxylic acids, e.g., ethyl acrylate, methyl methacrylate, ethyl methacrylate, methyl acrylate, isobutyl acrylate, and methyl fumarate; unsaturated esters of carboxylic acids, e.g., vinyl acetate, vinyl propionate, and vinyl benzoate; and ethylenically unsaturated amides and nitriles e.g., acrylamide, acrylonitrile, methacrylonitrile and fumaronitrile; and (2) one or more ethylenically unsaturated hydrocarbon monomers such as aliphatic α -olefin monomers, e.g., ethylene, propylene, butene-1 and isobutene; conjugated dienes, e.g., butadiene and isoprene; and monovinylidene aromatic carbocyclic monomers, e.g., styrene, α -methylstyrene, toluene, and t-butylstyrene. Suitable adhesive polymeric additives can be conveniently prepared by known techniques such as, for example, by interpolymerization or by a polymerization procedure followed by a

39

chemical or extrusion grafting procedure. Suitable grafting techniques are described in US Patent Numbers 4,762,890; 4,927,888; 4,230,830; 3,873,643; and 3,882,194.

Preferred adhesive polymeric additives for use in the present invention are maleic anhydride grafts wherein maleic anhydride is grafted onto an ethylene polymer at a concentration of about 0.1 to about 5.0 weight percent, preferably about 0.5 to about 1.5 weight percent. The use of ethylene polymer/maleic anhydride grafts as adhesive polymeric additives in the present invention significantly improves the performance and operating window of extrusion coated homogeneously branched ethylene polymers as the adhesive backing material, especially for polar polymer such as for example, but not limited to, nylon and polyester faced carpets. The improvement pertained to substantially higher comparative abrasion resistance and tuft bind strength. The improvement was surprising in that graft adhesives are generally known to require extended molten or semi-molten contact times for improved performance and function as interlayer adhesives for films and coatings where there is a continuous substrate as opposed to the discontinuous interface existent in carpet construction.

Preferred ethylene polymers for use as the grafted host polymer include low density polyethylene (LDPE), high density polyethylene (HDPE), heterogeneously branched linear low density polyethylene (LLDPE), homogeneously branched linear ethylene polymers and substantially linear ethylene polymers. Preferred host ethylene polymers have a polymer density greater than or equal to 0.915 g/cc and most preferably greater than or equal to 0.92 g/cc. Substantially linear ethylene polymers and high density polyethylene are the preferred host ethylene polymers.

In this aspect of the present invention, the adhesive polymeric additive is added to the homogeneously branched ethylene polymer at a level in the range of from about 0.5 to about 30 weight percent, preferably from about 1 to about 20 weight percent, more preferably from about 5 to about 15 weight percent based on the total weight of the polymer. For the preferred ethylene polymer maleic anhydride grafts, additions should provide a final maleic anhydride concentration in the range of from about 0.01 to about 0.5 weight percent,

40

preferably from about 0.05 to about 0.2 weight percent based on the total weight of the polymer.

Auxiliary equipment such as a pre-heater can be used. In particular, a heater, such as a convection oven or infrared panels can be used to heat the back of the greige good before the adhesive backing material is extruded thereon. In doing so, it has been found that the encapsulation and penetration of the yarn bundles can be enhanced. Preferably, the pre-heater is an infrared unit set at between about 200 and about 1500°C and the greige good is exposed to this heating for between about 3 and about 30 seconds. Most preferably, the heater is set at about 1000°C and the greige good is exposed to this heating for about 5 to about 7 seconds (e.g., 6 seconds).

In addition to or as an alternative to pre-heating, the process of the invention may also employ a post-heat soaking process step to lengthen the molten time for the adhesive backing material to thereby improve the encapsulation and penetration of the yarn or fiber bundles by the adhesive backing material. Preferably, after the adhesive backing material is applied to the greige good, it is heated by a convection oven or infrared radiation at a temperature between about 200 and about 1500°C for between about 3 and 30 seconds, most preferably at 1000°C for about 5 to about 7 seconds (e.g., 6 seconds).

As another piece of auxiliary or optional equipment, a vacuum nip roll can be used to draw the adhesive backing material extrudate (i.e., semi-molten or molten polymer web) onto the greige good. In a properly configured extrusion coating operation, the pile face of the greige good is positioned towards the vacuum nip roll and the polymer web is draw down onto the back surface of the primary backing material of the greige good. Vacuum nip roll 24 (which is illustrated in FIG. 2 and is available from Black Clawson Corporation) is suitable for vacuum drawing the adhesive backing material web. Vacuum nip roll 24 can be adapted from a conventional nip roll wherein a portion of the hollow internal of the roll is partitioned, dedicated and coupled to a external vacuum pump 27 to provide a vacuum surface. The surface of the vacuum portion is perforated but machined flush and continuously with the remaining surface of the roll. Suitable vacuum nip rolls can have a complete 360 degree vacuum surface; however, a vacuum surface

4/1

of from about 10 to about 180 degrees is preferred, most preferably about 60 degrees. To effectively draw the adhesive backing material web onto the greige good and maximize to the penetration of the yarn or fiber bundles, the vacuum is set to greater than 15 inches of H₂O (3.7 Pa), preferably greater than or equal to
5 25 inches of H₂O (6.1 Pa) and more preferably greater than or equal to 40 inches of H₂O (9.8 Pa), or from between about 15 and about 50 inches of H₂O (about 3.7 and about 12.3 Pa), preferably from between about 20 and about 45 (about 4.9 and about 11.1 Pa).

The length of time the greige good is actually subjected to the
10 vacuum will primarily depend on the extrusion coating line speed and the extent of draw on the adhesive backing material web will largely depend on the level of vacuum and the porosity of the greige good. As such, higher vacuum levels will be required for higher extrusion coating line speeds and/or denser greige good to effectively the draw the adhesive backing material.

15 In addition to or as an alternative to a vacuum nip roll, a high pressure positive air device such as an air blade or knife can also be used to force the adhesive backing material web onto the back surface of the primary backing material. Preferably, the positive air pressure device is set to provide an air
20 pressure greater than 20 psi (0.14 MPa), preferably greater than or equal to 40 psi (0.27 MPa), more preferably greater than or equal to 60 psi (0.41 MPa), or between about 20 and about 120 psi (about 0.14 and about 0.82 MPa), most preferably between about 30 and about 80 psi (about 0.20 and about 0.54 MPa) Preferably, the positive air pressure device is positioned at the extrusion coating nip, extends across the entire width of the polymer web and is positioned behind
25 the polymer web towards the chill roll so to force the polymer web onto the greige good and press the polymer web into the yarn or fiber bundles.

The extruded polymer(s) can either be used neat, or can have one or more additive included. A preferred additive is an inorganic filler, more preferably, an inorganic filler with a high heat content. Examples of such fillers include, but
30 are not limited to, calcium carbonate, aluminum trihydrate, talc, barite. High heat content fillers are believed to be advantageous in the invention because such

42

fillers allow the extrudate to remain at elevated temperatures longer with the beneficial result of providing enhanced encapsulation and penetration. That is, normally fillers are added to carpet backing materials to merely add bulk (i.e. as extenders) or to impart insulating and sound dampening characteristics. However, we have found that inorganic mineral fillers that have high heat contents surprisingly improve yarn encapsulation and penetration which in turn improves the performance of the abrasion resistance and tuft bind strength of extrusion coated carpet samples.

Preferably, a high heat content filler is added at a level of between about 1 and about 75 weight percent of the total extrudate, more preferably between about 15 and about 60 weight percent and most preferably between about 20 weight percent and 50 weight percent. Such fillers will have a specific heat content of greater than or equal to 0.4 cal-cc/°C (1.8 Joules-cc/°C), preferably greater than or equal to 0.5 cal-cc/°C (2 Joules-cm³/°C), more preferably greater than or equal to 0.6 cal-cc/°C (2.5 Joules-cm³/°C), and most preferably greater than or equal to about 0.7 cal-cc/°C (2.9 Joules-cm³/°C). Representative examples of high heat content fillers for use in the present invention include, but are not limited to, limestone (primarily CaCO₃), marble, quartz, silica, and barite (primarily BaSO₄). The high heat content fillers should be ground or precipitated to a size that can be conveniently incorporated in an extrusion coating melt stream. Suitable particle sizes range from about 1 to about 50 microns.

If a foamed backing is desired on the carpet, a blowing agent can be added to the adhesive backing material and/or the optional secondary backing material. If used, the blowing agents are preferably conventional, heat activated blowing agents such as azodicarbonamide, toluene sulfonyl semicarbazide, and oxy bis(benzene sulfonyl) hydrazide. The amount of blowing agent added depends on the degree of foaming sought. A typical level of blowing agent is between about 0.1 and about 1.0 weight percent.

Implosion in the present invention is accomplished by restricting expansion of the adhesive backing material in the direction opposite the primary backing material during activation of the implosion agent such that the molten

43

polymer is forced into the interior and free space of the yarn or fiber bundles. An imploded adhesive backing material will have a collapsed, non-expanded matrix (relative to a foamed backing) and be of essentially the same thickness (measured from the plane of the back surface of the primary backing material) as would be the case without the use of the implosion agent. That is, the adhesive backing material layer would be characterized as not being expanded by the implosion agent.

The implosion agent is selected and formulated into the adhesive backing material and extrusion conditions are set such that the activation of the implosion agent occurs at the instant of nip while the adhesive backing material is still semi-molten or molten. With improved yarn penetration accomplished with the use of an implosion agent, the carpet will exhibit comparatively improved abrasion resistance. Thus, the use of an implosion agent can allow the use of polymer compositions having lower molecular weights to provide improved extrusion coatability yet maintain higher abrasion resistance (i.e., comparable to adhesive backing materials based on higher molecular weight polymer compositions). An effective amount of implosion agent would be between about 0.1 and about 1.0 weight percent based on the weight of the adhesive backing material.

Conventional blowing agents or any material that ordinarily functions as a blowing agent can be used as an implosion agent in the present invention providing expansion of the adhesive backing material matrix is suitably restricted or confined when the material is activated such that molten polymer is forced into the interior and free space of the yarn or fiber bundles and there is no substantial expansion of the adhesive backing material as a result of having used the implosion agent. However, preferably, an imploded adhesive backing material will be characterized as having a closed cell structure that can be conveniently identified by photomicrographs at 50x magnification.

Other additives can also be included in the adhesive backing material, to the extent that they do not interfere with the enhanced properties discovered by Applicants. For example, antioxidants such as sterically hindered phenols, sterically hindered amines and phosphites may be used. Suitable antioxidants include Irganox[®] 1010 from Ciba-Geigy which is a hindered phenol

44
and Irgafos[®] 168 from Ciba-Geigy which is a phosphite. Other possible additives include antiblock additives, pigments and colorants, anti-static agents, antimicrobial agents (such as quaternary ammonium salts) and chill roll release additives (such as fatty acid amides).

5 As noted above, and shown in FIG. 2, the carpet of the invention preferably also includes a secondary backing material. Preferably, the secondary backing material is laminated directly to the extruded layer(s) while the extrudate is still molten after extrusion coating. It has been found that this technique can improve the penetration of the extrusion coating into the primary backing.

10 Alternatively, the secondary backing material can be laminated in a later step by reheating and/or remelting at least the outermost portion of the extruded layer or by a coextrusion coating technique using at least two dedicated extruders. Also, the secondary backing material can be laminated through some other means, such as by interposing a layer of a polymeric adhesive material
15 between the adhesive backing material and the secondary backing material. Suitable polymeric adhesive materials include, but are not limited to, ethylene acrylic acid (EAA) copolymers, ionomers and maleic anhydride grafted polyethylene compositions.

 The material for the secondary backing material can be a
20 conventional material such as the woven polypropylene fabric sold by AMOCO under the designation Action Bac[®]. This material is a leno weave with polypropylene monofilaments running in one direction and polypropylene yarn running in the other. More preferably, the secondary backing material used with the present invention is a woven polypropylene fabric with monofilaments running
25 in both directions. A suitable example of such a material is sold by Amoco under the designation Style 3878. This material has a basis weight of 2 OSY (70.7 cm³/m²). This material with monofilaments running in both directions has been found beneficial in providing enhanced dimensional stability to the carpet.

 In an alternatively preferred embodiment, the secondary backing
30 material is a material known as fiber lock weave or "FLW." FLW is a fabric which includes fibers needle punched into it. Sometimes FLW is used as a primary backing material on a carpet with a low pile weight. In such carpet, the fibers

45
protrude on the pile side so as to help keep the primary backing material from showing through the pile. However, in this alternatively preferred embodiment, FLW is used as the secondary backing material with the needle punched fibers protruding away from the carpet. Doing so has been found to enhance the
5 adhesion of the carpet when installed with a glue-down adhesive. In particular, the surface area for contacting the glue-down adhesive is increased and the protruding fibers help to anchor the carpet backing to the glue-down adhesive.

Alternatively, the secondary backing material can be a non-woven fabric. Several types are available, including, but not limited to, spun-bond, wet-
10 laid, melt-blown, and air entangled. As noted above, it is preferred that the secondary backing is made from a polyolefin to facilitate recycling.

In an alternatively preferred embodiment, the non-woven fabric is spun-bond polypropylene fabric, such as that available from Don & Low Non-wovens under the name "Daltex." Typically, spun-bond fabric is made from
15 extruded and air-drawn polymer filaments which are laid down together and then point bonded, for example by a heated calendar roll. The basis weight of such a spun-bond secondary backing can be varied, preferably between 35 and 80 grams/m² (gsm) more preferably between 60 and 80 gsm. Most preferably, the basis weight is 77-83 gsms (e.g., 80 gsm). One factor favoring a higher basis
20 weight for the spun-bond fabric is that the higher basis weight fabric is less likely to be melted when brought into contact with the molten extruded backing.

It has been found that a spun-bond non-woven fabric is advantageous to use as a secondary backing in the present invention because the porous nature of the fabric increases the surface area of the carpet for gluing the
25 carpet to the floor.

In still another alternatively preferred embodiment, the secondary backing is a woven polypropylene fabric such as Action Bac[®] from Amoco which has been enhanced by having 2 OSY (70.7 cm³/m²) of polypropylene fibers needle punched onto one side of it. This needle punched fabric is laminated so as to have
30 the polypropylene fibers embedded within the adhesive backing layer. As a result, the strands of the woven polypropylene fabric exposed. This embodiment has been shown to have improved glue down properties as compared to an

4/6

embodiment without the needle punched fibers because, without the needle punched fibers, the strands of the woven polypropylene fabric are at least partially embedded in the adhesive backing layer. As such, the surface area for gluing is reduced. It was also noted that the back of the carpet made in this embodiment
5 was much less abrasive than that found with traditional latex backed carpet. The carpet is also more flexible than traditional latex backed carpet. Consequently, this embodiment is preferred for making area rugs and the like.

Still other materials can be used for the secondary backing. For example, if an integral pad is desired, a polyurethane foam or other cushion
10 material can be laminated to the back side of the carpet. Such backings can be used for broadloom carpet as well as for carpet tile.

The extrusion backed carpet construction and the methods described herein are particularly suited for making carpet tile. FIG. 6 shows a cross-section of a carpet tile 100 made according to the present invention. A yarn 103,
15 preferably made of polypropylene, is tufted into a primary backing 101, which is also preferably made of polypropylene, so as to leave a carpet pile face 104 on top of the primary backing 101 and back stitches 105 below the primary backing. Applied to the back of the primary backing 101 and the back stitches 105 is an adhesive layer 107. Preferably, this adhesive layer is made from a polyolefin.
20 More preferably, the adhesive layer is made from the ethylene polymers described in detail above. Most preferably, this adhesive layer 107 is made from a substantially linear ethylene polymer with the additives described in Example 194 below.

In a preferred embodiment of carpet tile, the carpet included from
25 about 5 to about 200 OSY (about 176.8 to about 7,074 cm³/m²) of extruded adhesive backing. More preferably, the carpet for tile includes from about 30 to about 80 OSY (about 1061 to about 2,830 cm³/m²) of extruded backing, most preferably, 50 OSY (1,768 cm³/m²).

Preferably, the carpet for carpet tile receives its extruded backing in
30 two passes, i.e., to apply two layers of the extruded backing. The first pass applies the layer 107 in FIG. 6. Preferably this layer 107 is between about 2.5 and about 100 OSY (about 88.4 to about 3,537 cm³/m²) of the extruded polymer, more

47

preferably between about 15 and about 40 OSY (about 530.5 to about 1,415 cm^3/m^2), and most preferably 25 OSY (884 cm^3/m^2). The second pass adds the layer 111. Preferably the second layer 111 is about 2.5 and about 100 OSY (about 88.4 to about 3,537 cm^3/m^2), more preferably between about 15 and 40 OSY (about 530.5 to about 1,415 cm^3/m^2), and most preferably 25 OSY (884 cm^3/m^2).

Applying the extruded backing in two passes allows the opportunity to apply a first and second layer which have different physical and/or chemical properties. As noted above, it is sometimes preferable to apply a polymer with a higher melt index adjacent the primary backing, and a polymer with a lower melt index below that. In addition, it can also be preferably to use an extrudate with a lower filler content in the layer next to the primary backing and an extrudate with a higher filler content in the layer below that. In one preferred embodiment, the layer next to the primary backing includes a filler loading of 30 percent by weight and the layer below that includes a filler loading of 60 percent by weight. The lower filler content is believed to provide better penetration of the primary backing and back stitches in the carpet by the extrudate.

When making carpet tile, it is preferable to embed a layer of reinforcing material 109 between the first and second layers of extruding backing. An important property of carpet tile is dimensional stability, i.e., the ability of the tile to maintain its size and flatness over time. The inclusion of this layer of reinforcing material has been found to enhance the dimensional stability of carpet tile made according to this preferred embodiment. Suitable reinforcing materials include dimensionally and thermally stable fabrics such as non-woven or wet-laid fiberglass scrims, as well as woven and non-woven thermoplastic fabrics (e.g. polypropylene, nylon and polyester). Most preferably, the reinforcement layer is a polypropylene non-woven fabric sold by Reemay as "Tyvar" with a basis weight of 3.5 OSY (124 cm^3/m^2). Alternatively, a preferred reinforcement layer is a fiberglass scrim sold by ELK Corp. as "Ultra-Mat:" with a basis weight of 1.4 OSY (49.5 cm^3/m^2).

The carpet tile may include a secondary backing fabric 113 below the second layer of extruded backing 111. Suitable materials for the secondary

48

backing fabric include those described above. However, it is presently not preferred to include a secondary backing fabric on carpet tile.

FIG. 7 schematically shows a preferred line 120 for making carpet tile according to the present invention. A length of greige good 121, i.e. yarn tufted into a primary backing, is unrolled from the roll 123. The greige good 121 passes over the rollers 125 and 127 with the primary backing toward the roller 123. Between rollers 125 and 127 is a pre-heater 129 as described above.

An extruder 131 is mounted so as to extrude a sheet 135 of the polymeric backing through the die 133 onto the back of the greige good at a point between the roller 127 and the nip roll 141. The exact location at which the sheet 135 contacts the greige good can be varied depending on the line speed and the time desired for the molten polymer to rest on the greige good before passing between the nip roll 141 and the chill roll 143. At present it is preferred that the sheet 135 contact the greige good so as to lie on the greige good for between about 0.5 and about 2 seconds, most preferably about 1 second, before passing between the nip roll 141 and the chill roll 143.

In this preferred depicted embodiment, a scrim of non-woven polypropylene 139 is fed from roll 137 so as to contact the chill roll 143 at a point just prior to the nip roll 141. As a result, the scrim 139 which will act as a reinforcing fabric in the finished carpet tile is laminated to the greige good through the polymer.

The pressure between the nip roll 141 and the chill roll 143 can be varied depending on the force desired to push the extruded sheet. Most preferably, there is 60 psi (0.41 MPa) of air pressure pushing the rolls together. Also, as described in connection with FIG. 2, it may be desirable to include a vacuum slot in the nip roll. In addition, a jet of pressurized air may also be used to push the extruded sheet into the carpet backing.

The size of the chill roll 143 and the length of time the carpet rolls against it can be varied depending on the level of cooling desired in the process. Preferably the chill roll 143 is cooled by simply passing ambient water through it.

After passing over the chill roll 143, the carpet is brought over rollers 145 and 147 with the carpet pile toward the rollers. A second extruder 149

49

extrudes a sheet of polymer 153 through its die 151 on to the back of the scrim 139. Again the point at which the extruded sheet 153 contacts the scrim 139 can be varied as described above.

At this point, if a secondary backing fabric is desired for the carpet tile, that fabric can be introduced from a roll similar to that shown at 137 so as to contact the be laminated to the carpet through the extruded sheet 153 as it passes between the nip roll 155 and the chill roll 153. Such a secondary backing fabric is not currently preferred for carpet tile construction.

The carpet passes between the nip roll 155 and the chill roll 157. Again, the pressure applied between the two rolls 155 and 157 can be varied. At present, 60 psi (0.41 MPa) of air pressure is preferably applied against the nip roll 155.

After passing around the chill roll 157, the carpet passes around roll 159 and is preferably passed over an embossing roll (not shown) to print a desired pattern on the back of the carpet.

While the apparatus shown in FIG. 7 is preferred for making a carpet tile with two layers of extruded backing and a reinforcing fabric in between, the same construction can be made with a single extrusion die, nip roll and chill roll. In particular, the first layer of extruded backing and the reinforcing fabric can be applied in a first pass through the line after which the carpet is rolled up. The second layer of extruded backing can be applied on top of the reinforcing fabric in a second pass through the same line after which the carpet is ready to be cut into carpet tiles.

Carpet tile is typically made by producing a length of backed carpet and then cutting the carpet into the appropriate sized squares. In the United States, the most common size is 18 inches (45.7 cm) square. In the rest of the world, the most common size is 50 cm square.

In still another alternative embodiment, a pressure sensitive adhesive is applied to the bottom surface of the backed carpet and a release sheet is included. In this way, a "peel and stick" carpet is produced. This is particularly beneficial when the carpet is to be cut into tiles. Examples of suitable pressure sensitive adhesives include ethylene vinyl acetate copolymers and substantially

50

linear ethylene polymers formulated with tackifiers and polymeric waxes. The release sheet can be made from conventional polymers and/or paper products. Preferably, the release sheet is made of polyester/wax formulation.

It has been determined that the pressure sensitive adhesive is best applied directly to the adhesive backing material while the adhesive backing material is still at an elevated temperature from the extrusion coating process. A preferred technique is to extrusion laminate the pressure sensitive adhesive with the adhesive backing material; that is, to apply the pressure sensitive adhesive at nip. Alternately, the adhesive backing material can be reheated before the pressure sensitive adhesive is applied.

Another preferred embodiment of the present invention, exclusive of an optional secondary backing material, involves the combination of the various process steps described herein together with the use of at least one substantially linear ethylene polymer with an effective amount of an implosion agent formulated therein in the first layer of a two layer adhesive backing material. The a preferred combination of process steps at least includes pre-coating with an aqueous polyolefin system; removal of processing materials by washing or scouring the greige good with an aqueous detergent solution heated to at least 67°C; drying and pre-heating the greige good by subjecting it to infra-red radiation set at about 1000°C for about 1 to about 6 seconds; extrusion coating the adhesive backing material onto the back surface of the pre-heated, washed primary backing material by utilizing extrusion melt temperatures of greater than or equal to 615°F (324°C); subjecting the semi-molten or molten adhesive backing material web to a vacuum of greater than 40 inches H₂O (9.8 Pa) while at the extrusion coating nip; subjecting the semi-molten or molten adhesive backing material to a positive air pressure device set at greater than about 60 psi (0.41 MPa) at the extrusion coating nip; activating an implosion agent while at the extrusion coating nip; and heat soaking of the carpet by subjecting it to infra-red radiation set at about 1000°C for about 1 to about 6 seconds.

Various embodiments of the present invention were evaluated and, in specific instances, compared to prior art embodiments. However, the Examples shown should in no way limit the scope of the present invention to such Examples.

51

EXAMPLES

TEST METHODS

The primary performance criteria determined for the various
5 Examples included: tuft bind, abrasion resistance, Velcro rating, flexibility and
lamination strength. Tuft bind testing was conducted in accordance with ASTM D-
1335-67.

Moduli for the ethylene polymers used in the present invention were
measured in accordance with ASTM-790.

10 Abrasion resistance was based on a qualitative Velcro fuzzing test.
In this test, a 2 inch (5.1 cm) diameter, 2 pound (0.91 kg) roller coated with the
loop side of standard Velcro was passed 10 times over the face side of coated
carpet samples. The fuzz on the abraded carpet was then compared to a set of
carpet standards and rated on a 1 - 10 scale wherein a rating of 10 denoted zero
15 fuzzing.

Flexibility rating was also based on a qualitative assessment.
Lamination strength was based on manual qualitative assessment in which a good
delamination rating was given if the various layers of a carpet sample could not be
manually pulled apart (i.e., separation of the adhesive backing material from the
20 primary backing material), while a poor rating was given if layers delaminated.

The Aachen test is used to determine the dimensional stability of
carpet tile. The Aachen test used herein is ISO Test Method 2551. Briefly
described, carpet tiles are first measured in the machine and cross-machine
dimensions and then exposed to heat (140°F (60°C) for 2 hours) and moisture
25 (submerged in water for 2 hours). The carpet tiles are dried for 16 hours in a
drying oven. The tiles are then put into a conditioning room for 48 hours, after
which each tile is measured in the machine and cross-machine directions. The
results are given in terms of a percent change from the original dimensions.

30 RESINS

Table 1 lists the various ethylene polymers used to prepare the
various Examples.

52

Table 1

Resin	Type	Melt Index	Density	Modulus
		(gm/10 min)	(gm/cc)	psi (MPa)
A	SLEP	30	0.871	2,560 (17.4)
B	SLEP	30	0.885	5,400 (36.7)
C	SLEP	30	0.900	13,700 (93.2)
D	SLEP	10	0.900	ND
E	SLEP	13	0.871	ND
F	SLEP	75	0.871	ND
G	SLEP	75	0.900	ND
H	SLEP	175	0.900	ND
I	HBLEP	35	0.882	ND
J*	LLDPE	5.4	0.921	ND
K*	LDPE	12	0.916	23,500 (160)
L*	LDPE	120	0.922	43,000 (293)
M*	LDPE	150	0.913	ND
N*	ULDPE	6	0.911	ND
O*	ULDPE	1	0.912	26,700 (182)
P*	LLDPE	1	0.920	38,000 (259)
Q*	HDPE	10	0.960	182,000 (1238)
R*	ULDPE	30	0.913	28,400 (193)
S*	LDPE	55	0.922	41,000 (279)

5 SLEP denotes a substantially linear ethylene/1-octene copolymer available from The Dow Chemical Company.

HBLEP denotes a homogeneously branched linear ethylene polymer such as Exact™ resin available from the Exxon Corporation.

LLDPE denotes a linear low density ethylene/1-octene copolymer such as a Dowlex™ resin available from The Dow Chemical Company.

10 ULDPE denotes an ultra low density linear ethylene/1-octene copolymer such as an ATTANE™ resin available from The Dow Chemical Company.

LDPE denotes a high pressure ethylene homopolymer such as available from various polymer manufacturers.

15 HDPE denotes a high density polyethylene resin such as available from various polymer manufacturers.

*Denotes that the listed polymer is not suitable for use in certain aspects of the present invention.

ND denotes the value was not determined.

20

EXAMPLES 1-12

53

Table 2 summarizes the polymers, extrusion conditions and carpet sample performance results for Inventive Examples 1-8 and Comparative Runs 9-12. The extrusion coating equipment consisted of a two-extruder Black Clawson coextrusion line equipped with a 3-1/2 inch (8.9 cm) diameter primary extruder having a 30:1 L/D and a 2-1/2 inch (6.4 cm) diameter secondary extruder with a 24:1 L/D. For these examples, only the large extruder was operated at 90 rpms (250 lbs./hr). A 76 cm slot die was attached to the extruder and was deckled to 69 cm with a 20-mil (0.51 mm) die gap and a 6-inch (15.2 cm) air/draw gap. The nip roll pressure was set at 85 psi (0.58 MPa) and the chill roll was controlled at 60°F (15.6°C). The targeted extrusion temperatures, line speed and coating thicknesses are listed in Table 2.

Greige good swatches of polypropylene (26 OSY (919.6 cm³/m²), tufted, loop pile, straight stitch greige goods available from Shaw Industries under the designation of Volunteer) were cut and slip sheeted onto Kraft paper for each Example and candidate resins were extrusion coated onto the backside of the greige goods. Secondary backing material (2.8 OSY (99 cm³/m²) woven polypropylene scrim known as Action Bac[®] available from Amoco Chemical Company, Fabrics and Fibers Division) was added to the backside of greige goods after the disposition of the extrudate at the die and before the nip pressure rollers to form a laminate structure. FIG. 2 shows the extrusion coating method and the sequence of application of an extrusion coated adhesive backing material followed by the application of an optional secondary backing material. In some instances, greige good swatches were first preheated in a convection oven at 200°F (93°C) for 30 min. After coated samples were aged for 24 hours at ambient room temperature and 70% relative humidity, tuft bind, abrasion resistance and delamination were determined.

54
Table 2

Ex.	Resin	Pre-Temp	Thick	Coat Wt	Melt Temp	Line Speed	Flex	Lamination Strength	Tuft Bind
		°F (°C)	mil (mm)	OSY (cm ³ /m ²)	°F (°C)	ft/min (m/min)			lbs. (kg)
1	C	Ambient	21 (0.53)	14.5 (513)	500 (260)	22 (6.7)	Good	Good	8.0 (3.6)
2	D	Ambient	20 (0.51)	ND	500 (260)	22 (6.7)	Good	Good	7.6 (3.4)
3	D	Ambient	7 (0.18)	ND	500 (260)	65 (19.8)	Good	Good	5.0 (2.3)
4	A	140 (60)	ND	15.5 (548)	500 (260)	22 (6.7)	Good	Good	4.6 (2.1)
5	G	140 (60)	ND	13.1 (463)	500 (260)	22 (6.7)	Good	Good	7.0 (3.2)
6	F	150 (66)	ND	11.9 (421)	500 (260)	30 (9.1)	Good	Good	7.0 (3.2)
7	E	160 (71)	ND	18.9 (669)	500 (260)	22 (6.7)	Good	Good	10.4 (4.7)
8	A	160 (71)	ND	11.8 (417)	550 (288)	30 (9.1)	Good	Good	7.6 (3.4)
9*	R	140 (60)	ND	17.6 (623)	500 (260)	22 (6.7)	Stiff	Poor	7.1 (3.2)
10*	J	Ambient	20 (0.51)	ND	500 (260)	22 (6.7)	Stiff	Poor	ND
11*	L	Ambient	20 (0.51)	ND	500 (260)	22 (6.7)	Stiff	Poor	ND
12*	S	Ambient	20 (0.51)	ND	500 (260)	22 (6.7)	Stiff	Poor	ND

*Denotes Comparative Run Example; the example is not an example of the present invention. ND denotes the value was not determined.

5

Inventive Examples 1-8 show that homogeneously branched ethylene polymers result in carpet samples with good flexibility and good cohesion of the carpet components and that tuft bind and abrasion resistance are dependent on processing conditions. Two high pressure LDPE, a heterogeneously branched LLDPE, and a heterogeneously branched ULDPE extrusion coating (Comparative Runs 9-12) resulted in relatively stiff carpet samples and relatively poor carpet component cohesiveness.

One indication of poor component cohesiveness was relatively low adhesiveness of the backing material to the primary backing material. Another indication was relatively low penetration of the yarn or fiber bundles with the LDPE, LLDPE and ULDPE extrusion coating resins.

15

55

EXAMPLES 13-22

Table 3 summarizes the polymers, extrusion conditions, and carpet performance results for Inventive Examples 13-22. These examples used the same extrusion equipment, extrusion conditions and greige goods listed for Examples 1-12.

Table 3

Ex.	Resin	Pre-Temp	Thick	Melt Temp	Line Speed	Flex	Lamination Strength	Tuft Bind
		°F (°C)	mil (mm)	°F (°C)	ft/min (m/min)			lbs. (kg)
13	C	175 (79)	7 (0.18)	425 (218)	65 (19.8)	Good	Good	3.6 (1.6)
14	C	175 (79)	7 (0.18)	500 (260)	65 (19.8)	Good	Good	5.4 (2.4)
15	C	175 (79)	7 (0.18)	550 (288)	65 (19.8)	Good	Good	6.3 (2.9)
16	C	175 (79)	7 (0.18)	575 (302)	65 (19.8)	Good	Good	6.6 (3.0)
17	C	175 (79)	7 (0.18)	600 (316)	65 (19.8)	Good	Good	5.3 (2.4)
18	C	175 (79)	15 (0.38)	425 (218)	30 (9.1)	Good	Good	6.9 (3.1)
19	C	175 (79)	15 (0.38)	500 (260)	30 (9.1)	Good	Good	6.8 (3.1)
20	C	175 (79)	15 (0.38)	550 (288)	30 (9.1)	Good	Good	8.3 (3.8)
21	C	175 (79)	15 (0.38)	575 (302)	30 (9.1)	Good	Good	6.2 (2.8)
22	C	175 (79)	15 (0.38)	600 (316)	30	Good	Good	6.2 (2.8)

Inventive Examples 13-22 show the effect of coating thickness and extrusion temperature on carpet backing performance. In certain aspects of the present invention, coating thicknesses greater than 7 mils (0.18 mm), preferably greater than or equal to 11 mils (0.38 mm), more preferably greater than or equal to about 15, and most preferably greater than or equal to 22 mils (0.56 mm) are preferred for extrusion melt temperatures greater than 550°F (288°C), preferably greater than or equal to 575°F (302°C), more preferably greater than or equal to 600°F (316°C) and most preferably greater than or equal to 615°F (324°C). Practitioners will appreciate that extrusion melt temperature and extrusion line speed are inversely related. That is, lower extrusion temperatures will generally require slower extrusion line speeds to achieve good penetration of the yarn.

56

Practitioners will also appreciate that at elevated temperatures, thermal stabilization additives such as Irganox® 1010 and Irgafos® 168 (both supplied by Ciba-Geigy) may be required to achieve the full benefit of the present invention such as, for example, adhesive backing material penetration of the yarn or fiber bundles greater than 40 percent. Practitioners will also appreciate that excessive chemical stabilization may adversely effect draw down performance, thus additive selection and concentration must be balanced against draw down requirements and penetration requirements. However, in general, higher additive concentrations will be required at higher extrusion melt temperatures.

10

EXAMPLES 23-54

Table 4 summarizes the polymers, extrusion conditions and carpet performance results for Examples 23 - 54. In this evaluation, the extrusion coating equipment consisted of a 3-1/2 inch (8.9 cm) diameter Black Clawson Model 435 extruder equipped with a 30:1 L/D screw, a 150 hp (311 Joules/hr) Electro Flight drive system, a Cloreren 3-layer feedblock, and a Black Clawson Model 300 XLHL 30" coat hanger die externally deckled to 24 inches (61 cm) using a 20 mil (0.51 mm) die gap and a 6 inch (15.2 cm) air/draw gap. The targeted extrusion temperatures, screw speed, line speed and coating thicknesses are listed in Table 4.

Samples of polypropylene greige goods (26 OSY (920 cm³/m²), tufted, loop pile, straight stitch greige goods supplied by Shaw Industries under the designation of Volunteer) were used. Candidate ethylene polymers were extrusion coated onto the backside of greige goods that were run continuously through the extrusion coater rather than slip sheeted as individual greige good swatches. Electric and gas-fired infrared heaters were installed prior to the coating station to preheat the greige goods. A partitioned vacuum pressure roll with a 45° vacuum section was installed and attached to a variable vacuum pump. The vacuum section was positioned at the contact point of extrudate and greige goods. The nip roll pressure was set at 80 psi and the chill roll was controlled at 120°F (49°C). Secondary backing material (2.8 OSY 99 cm³/m²) woven polypropylene scrim or Action Bac® available from Amoco Chemical Company, Fabrics and Fibers

WO 98/38375

PCT/US98/03992

57

Division) was added to the backside of the carpet samples after disposition of the extrudate at the die and before the nip pressure rollers to form a laminate structure. After coated samples were aged for 24 hours at ambient and 70% relative humidity, tuft bind, abrasion resistance and delamination resistance were

5 determined.

58
Table 4

Ex.	Resin	Pre-Temp	Thick	Coat Weight	Melt Temp	Screw Speed	Line Speed	Vac	Flex	Lamination	Tuft Bind
		°F (°C)	mil	OSY (cm ² /m ²)	°F (°C)	rpm	f/min (m/min)	in H ₂ O (Pa)		Strength	lbs. (kg)
23	C	Ambient	ND	11.6 (410)	500 (260)	20	18 (5.5)	0	Good	Good	8.8 (3.9)
24	C	Ambient	ND	14.2 (502)	500 (260)	25	18 (5.5)	0	Good	Good	7.9 (3.6)
25	C	Ambient	ND	17.8 (630)	500 (260)	30	18 (5.5)	0	Good	Good	10.1 (4.6)
26	B	Ambient	ND	9.7 (343)	500 (260)	20	18 (5.5)	0	Good	Good	9.0 (4.1)
27	B	Ambient	ND	13.0 (460)	500 (260)	25	18 (5.5)	0	Good	Good	7.0 (3.2)
28	B	Ambient	ND	14.2 (502)	500 (260)	30	18 (5.5)	0	Good	Good	9.1 (4.1)
29	G	200 (93)	ND	6.9 (244)	400 (204)	ND	18 (5.5)	0	Good	Good	6.6 (3.0)
30	G	200 (93)	ND	11.8 (417)	400 (204)	ND	18 (5.5)	0	Good	Good	8.4 (3.8)
31	H	200 (93)	ND	10.2 (361)	400 (204)	ND	18 (5.5)	0	Good	Good	7.3 (3.3)
32	B	150 (66)	ND	8.0 (283)	500 (260)	24	26 (7.9)	20 (4.9)	Good	Good	ND
33	B	150 (66)	ND	7.7 (272)	500 (260)	24	26 (7.9)	10 (2.5)	Good	Good	ND
34	B	150 (66)	ND	7.8 (276)	500 (260)	24	26 (7.9)	0	Good	Good	ND
35	B	150 (66)	ND	3.9 (138)	500 (260)	48	26 (7.9)	0	Good	Good	ND
36	B	150 (66)	ND	15.8 (559)	500 (260)	48	26 (7.9)	10 (2.5)	Good	Good	8.7 (3.9)
37	B	150 (66)	ND	15.4 (545)	500 (260)	48	26 (7.9)	25 (6.1)	Good	Good	9.6 (4.4)
38	B	150 (66)	ND	14.8 (523)	550 (288)	48	26 (7.9)	25 (6.1)	Good	Good	7.6 (3.4)
39	B	150 (66)	ND	18.0 (637)	550 (288)	48	26 (7.9)	20 (4.9)	Good	Good	8.2 (3.7)
40	G	175 (79)	ND	10.7 (378)	400 (204)	26	26 (7.9)	25 (6.1)	Good	Good	ND
41	G	175 (79)	ND	9.2 (325)	400 (204)	26	26 (7.9)	10 (2.5)	Good	Good	ND
42	G	175 (79)	ND	9.5 (336)	400 (204)	26	26 (7.9)	2.5 (0.6)	Good	Good	ND
43	G	175 (79)	ND	27.2 (962)	400 (204)	55	26 (7.9)	2.5 (0.6)	Good	Good	10.9 (4.9)
44	G	175 (79)	ND	28.0 (920)	400 (204)	55	26 (7.9)	10 (2.5)	Good	Good	8.8 (4.0)
45	G	175 (79)	ND	17.8 (630)	400 (204)	55	26 (7.9)	25 (6.1)	Good	Good	10.2 (4.6)
46	C	250 (121)	ND	9.8 (347)	500 (260)	24	26 (7.9)	25 (6.1)	Good	Good	10.9 (4.9)
47	C	250 (121)	ND	9.6 (340)	500 (260)	24	26 (7.9)	10 (2.5)	Good	Good	9.9 (4.5)
48	C	250 (121)	ND	9.3 (329)	500 (260)	24	26 (7.9)	2.5 (0.6)	Good	Good	ND

59

Table 4, Continued

Ex.	Resin	Pre-Temp	Thick	Coat Weight	Melt Temp	Screw Speed	Line Speed	Vac	Flex	Lamination Strength	Tuft Bind
		^{°F} (^{°C})	mil (mm)	OSY (cm ³ /m ²)	^{°F} (^{°C})	rpm	ft/min (m/min)	in H ₂ O (Pa)			lbs. (kg)
49	C	250 (121)	ND	16.6 (587)	500 (260)	51	26 (7.9)	2.5 (0.6)	Good	Good	6.8 (3.1)
50	C	250 (121)	ND	17.5 (619)	500 (260)	51	26 (7.9)	10 (2.5)	Good	Good	7.0 (3.2)
51	C	250 (121)	ND	16.6 (587)	500 (260)	51	26 (7.9)	25 (6.1)	Good	Good	7.6 (3.4)
52	C	245 (118)	ND	10.2 (381)	500 (260)	50	26 (7.9)	50 (12.3)	Good	Good	7.8 (3.5)
53	C	245 (118)	ND	19.8 (700)	500 (260)	50	26 (7.9)	50 (12.3)	Good	Good	10.8 (4.9)
54*	L	200 (93)	15 (0.38)	ND	400 (204)	ND	18 (5.5)	0	Stiff	Poor	ND

5 *Denotes Comparative Run Example; the example is not an example of the preferred embodiment of the present invention. ND = value was not determined.

10 These Examples show that homogeneously branched ethylene polymers result in carpet samples with good flexibility and good cohesion of carpet components, and that tuft bind strength and abrasion resistance are dependent on processing conditions. These Examples also show the improvement in carpet backing performance is attainable by the utilization of a carpet preheating process step, optimized coating thickness, and/or a vacuum nip pressure process step.

The high pressure LDPE extrusion coating resin resulted in stiff carpet with poor component cohesiveness.

15

EXAMPLES 55-77

20 Table 5 summarizes the polymers, extrusion conditions and carpet performance results for Examples 55-77. These examples employed the same extrusion equipment and extrusion conditions listed for Examples 23-54, with the exception that nylon greige goods (26 OSY (920 cm³/m²), tufted, loop pile, straight stitch greige goods available from Shaw Industries under the designation of Vocation™) were used instead of polypropylene greige goods.

60
Table 5

Ex.	Resin	Pre-Temp	Coat Weight	Melt Temp	Screw Speed	Line Speed	Vacuum in H ₂ O	Flex	Lamination Strength
		*F (°C)	OSY (cm ³ /m ²)	*F (°C)	RPM	ft/min (m/min)	(Pa)		
55	C	Ambient	18.4 (651)	500	25	18 (5.5)	0	Good	Good
56	C	Ambient	18.9 (668)	500	30	18 (5.5)	0	Good	Good
57	C	Ambient	20.2 (714)	500	35	18 (5.5)	0	Good	Good
58	B	Ambient	12.1 (428)	500	25	18 (5.5)	0	Good	Good
59	B	Ambient	17.2 (608)	500	30	18 (5.5)	0	Good	Good
60	B	Ambient	18.1 (640)	500	35	18 (5.5)	0	Good	Good
61	G	200 (93)	8.4 (297)	400	ND	18 (5.5)	0	Good	Good
62*	L	200 (93)	13.6 (481)	400	ND	18 (5.5)	0	Poor	Poor
63	B	150 (66)	17.6 (623)	550	48	26 (7.9)	22 (5.4)	Good	Good
64	B	150 (66)	15.1 (534)	550	48	26 (7.9)	11 (2.7)	Good	Good
65	B	150 (66)	16.4 (580)	550	48	26 (7.9)	2.5 (0.6)	Good	Good
66	G	175 (79)	16.9 (598)	400	26	26 (7.9)	25 (6.1)	Good	Good
67	G	175 (79)	16.6 (587)	400	26	26 (7.9)	10 (2.5)	Good	Good
68	G	175 (79)	17.3 (612)	400	26	26 (7.9)	2.5 (0.6)	Good	Good
69	G	175 (79)	8.0 (283)	400	55	26 (7.9)	2.5 (0.6)	Good	Good
70	G	175 (79)	8.4 (297)	400	55	26 (7.9)	10 (2.5)	Good	Good
71	G	175 (79)	8.3 (294)	400	55	26 (7.9)	25 (6.1)	Good	Good
72	C	260 (127)	18.8 (665)	500	24	26 (7.9)	25 (6.1)	Good	Good
73	C	260 (127)	16.6 (587)	500	24	26 (7.9)	10 (2.5)	Good	Good
74	C	260 (127)	16.6 (587)	500	24	26 (7.9)	2.5 (0.6)	Good	Good
75	C	260 (127)	8.1 (286)	500	51	26 (7.9)	2.5 (0.6)	Good	Good
76	C	260 (127)	8.1 (286)	500	51	26 (7.9)	10 (2.5)	Good	Good
77	C	260 (127)	7.9 (279)	500	51	26 (7.9)	25 (6.1)	Good	Good

ND denotes the value was not determined.

Inventive Examples 55-77 show also that homogeneously branched ethylene polymers result in carpet samples with good flexibility and good cohesion of the carpet components, and that tuft bind strength and abrasion resistance are dependent on processing conditions. Like Examples 23-53, these examples also show that improvements in carpet backing performance are attainable by employing a preheat process step, optimum coating thickness and/or a vacuum nip pressure process step.

61

EXAMPLES 78-86

Table 6 summarizes the polymers, extrusion conditions and carpet performance results for Examples 78-86. These examples used the same extrusion equipment and extrusion conditions listed for Examples 1-12, with the exceptions that cross stitch polypropylene greige goods (20 OSY (707 cm³/m²), tufted, loop pile available from Shaw Industries under the style name of "Proton") were used instead of straight stitch goods

10

Table 6

Ex.	Resin	Pre-Temp °F (°C)	Coat Weight OSY (cm ³ /m ²)	Melt Temp °F (°C)	Line Speed ft/min (m/min)	Flex	Lamination Strength	Tuft Bind lbs. (kg)	Abrasion Resistance	Velcro Test
78	C	Ambient	7.7 (272)	500 (260)	48 (14.6)	Good	Good	8.5 (3.9)	Good	8
79	C	175 (79)	16.9 (598)	500 (260)	22 (6.7)	Good	Good	14.3 (6.5)	Good	9
80	E	175 (79)	9.9 (350)	500 (260)	48 (14.6)	Good	Good	10.2 (4.6)	Good	9
81	E	175 (79)	17.3 (612)	500 (260)	22 (6.7)	Good	Good	13.2 (6.0)	Good	9
82	D	175 (79)	17.8 (630)	500 (260)	22 (6.7)	Good	Good	12.9 (5.9)	Good	9
83	D	175 (79)	9.2 (325)	500 (260)	48 (14.6)	Good	Good	7.6 (3.4)	Good	9
84*	J	175 (79)	9.7 (343)	500 (260)	48 (14.6)	Stiff	Poor	8.7 (3.9)	Good	9
85*	J	175 (79)	16.3 (577)	500 (260)	22 (6.7)	Stiff	Poor	10.4 (4.7)	Good	9
86*	J	Ambient	18.6 (658)	500 (260)	22 (6.7)	Stiff	Poor	9.1 (4.1)	Good	9

*Denotes Comparative Run Example; the example is not an example of the present invention. ND denotes the value was not determined.

Inventive Examples 78-83 show that homogeneously branched ethylene polymers result in cross-stitched carpet samples with good flexibility and good cohesion of the carpet components. The LLDPE extrusion coating resin used for Comparative Runs 84-86 resulted in stiff cross-stitched carpet samples.

EXAMPLES 87-90

20

Table 7 summarizes the polymers, extrusion conditions and carpet performance results for Inventive Examples 87-90. These examples used the

62

same extrusion equipment and extrusion conditions as listed for Examples 23-54, with the exceptions that polypropylene greige goods, namely a 2750 denier polypropylene yarn tufted at 16 OSY ($566 \text{ cm}^3/\text{m}^2$) in a loop pile, straight stitch, and available from Shaw Industries under the style name "Quadratic," were used
5 instead of polypropylene greige goods. In addition, for Examples 88-90, the greige goods were coated with an olefinic suspension or emulsion, known as a pre-coat, prior to extrusion coating.

In particular, an aqueous dispersion of polyethylene particles was prepared by weighing out 200 parts water. Next, 0.4 parts of a surfactant from
10 Ciba-Geigy under the designation "Igepal CO-430" was dispersed in the water using a high speed homogenizer at low speed. Then, 100 parts "FN500" from Quantum Chemical was added to the mixture using medium to high mixing speeds for approximately 5 minutes. After the FN500 began agitating, 0.4 parts of a defoamer from Lenmar under the designation "Marfoam" were added to reduce the
15 foaming of the mixture. Finally, 2.4 parts of a thickener sold by Sun Chemical International under the designation "Printgum 600M" was added to the mixture. A minimum of 10 minutes of mixing was needed after adding this thickener.

This dispersion was applied to the back of the primary backing by conventional means. In particular, 38 OSY ($1,344 \text{ cm}^3/\text{m}^2$), based on the wet
20 dispersion, were applied to the non-pile side of the primary backing by a roll over roller applicator running at 10 feet per minute (3.05 m/min).

After the dispersion was applied, the carpet passed directly into a conventional high velocity drying oven. The total dwell time in the oven was 5 minutes and the carpet reached a final temperature of about 290°F (143°C).

25 Observations made before after the pre-coat was applied, but before application of an extruded adhesive backing material showed that the carpet thus produced had good bundle penetration and wrap. Measurements showed that 4 and 8 OSY ($283 \text{ cm}^3/\text{m}^2$) of the FN500, based on dry weight, were added to the carpet backing.

30 Before application of an extruded adhesive backing, the carpet of Examples 88-90 was also tested according to test method ASTM D1335 to measure the tuft bind strength of the carpet (See, *1991 Annual Book of ASTM*

63

Standards, Volume 07.01). This test measures the force required to pull one or both legs of a loop in a loop pile carpet free from the backing. The carpet made in Example 88-90 showed an average tuft bind strength of 9.0 pounds (4.1 kg) before application of the extruded adhesive backing.

5 Example 87 included a pre-coat of Adcote™ 50T4990, an ethylene acrylic acid copolymer dispersion available from Morton International, Woodstock, Ill. applied at 4 OSY (141.5 cm³/m²).

No vacuum was applied for these Examples.

10

Table 7

Ex.	Resin	Pre-Temp °F (°C)	Pre-Coat Type/OSY	Coat Weight OSY (cm ³ /m ²)	Melt Temp °F (°C)	Flex	Lamination Strength	Tuft bind lbs. (kg)	Abrasion Resistance	Velcro Test
23	C	Ambient	None	11.6 (410)	500 (260)	Good	Good	8.6 (3.9)	Poor	2
87	C	Ambient	Adcote/4	3.9 (138)	500 (260)	Good	Good	10.7 (4.9)	Good	8
88	C	175 (79)	LDPE/8	8.8 (311)	500 (260)	Good	Good	8.2 (3.7)	Good	9
89	E	175 (79)	LDPE/4	ND	500 (260)	Good	Good	10.0 (4.5)	Good	8
90	E	175 (79)	LDPE/8	5.5 (195)	500 (260)	Good	Good	11.3 (5.1)	Good	9

15 Inventive Examples 87-90 show that homogeneously branched ethylene polymers result in carpet samples with good flexibility and good cohesion of the carpet components, and that carpet performance can be enhanced by the application of a pre-coat.

EXAMPLES 91-96

20 Table 8 summarizes the polymers, extrusion conditions, and results for Examples 91-96. These Examples used the same extrusion equipment and extrusion conditions as listed for Examples 23-54, with the exceptions that nylon greige goods, namely a 3050 denier nylon 6, tufted at 20 OSY (707 cm³/m²), in a loop pile, straight stitch and available from Shaw Industries under the style name "Vanguard™," were used instead of straight stitch goods and the greige goods
25 were coated with an olefinic suspension or emulsion (i.e., a pre-coat) prior to the

64

extrusion coating step. No vacuum was applied for these Examples. The pre-coats evaluated included Adcote™ 50T4990, an ethylene acrylic acid copolymer dispersion available from Morton International, Woodstock, Ill. and a LDPE suspension wherein for the latter the pre-coated greige goods was available from Shaw Industries under the designation of Vanguard™. These pre-coats were applied at 4 (141.5 cm³/m²) and 8 OSY (283 cm³/m²) weights.

Table 8

Ex.	Resin	Pre-Temp	Pre-Coat	Coat Weight	Melt Temp	Flex	Lamination Strength	Tuft Bind	Abrasion Resistance	Velcro Test
		°F (°C)	OSY (cm ³ /m ²)	OSY (cm ³ /m ²)	°F (°C)			lbs. (kg)		
91	G	150 (66)	Adcote/4	8.7 (308)	500 (260)	Good	Good	10.7 (4.9)	Good	9
92	G	150 (66)	LDPE/8	10.0 (354)	500 (260)	Good	Good	7.0 (3.2)	Fair	5
93	G	150 (66)	LDPE/8	9.3 (329)	500 (260)	Good	Good	5.0 (2.3)	Fair	6
94	G	150 (66)	Adcote/4	6.3 (223)	500 (260)	Good	Good	12.1 (5.5)	Good	8
95	G	150 (66)	LDPE/8	6.1 (216)	500 (260)	Good	Good	6.3 (2.9)	Good	7
96	G	150 (66)	LDPE/4	3.2 (113)	500 (260)	Good	Good	9.2 (4.2)	Good	9

10 These examples show that homogeneously branched ethylene polymers result in carpet samples with good flexibility and good cohesion of the carpet components, and that carpet performance can be enhanced by the application of an aqueous pre-coat.

15 EXAMPLES 97-109

20 Table 9 summarizes the polymers, extrusion conditions and carpet performance results for Inventive Examples 97-109. These Examples used the same extrusion equipment, extrusion conditions and greige goods listed for Examples 1-12, with the exception that a dual lip or two station extrusion coating technique was evaluated. In this evaluation, greige goods were first extrusion coated with a layer next to the backside of the carpet. This layer was identified as

65
the bottom layer. Once coated, samples were then extrusion coated again with another layer, identified as the top layer.

Table 9

Ex.	Top Resin	Bottom Resin	Thick Top mil (mm)	Thick Bottom mil (mm)	Melt Temp Top °F (°C)	Line Speed ft/min (m/min)	Flex	Lamination Strength	Tuft bind lbs. (kg)
97	C	A	15 (0.38)	5 (0.13)	575 (302)	60	Good	Good	5.2 (2.4)
98	C	C	15 (0.38)	5 (0.13)	575 (302)	60	Good	Good	4.5 (2.0)
99	C	G	15 (0.38)	5 (0.13)	575 (302)	60	Good	Good	5.5 (2.5)
100	C	F	15 (0.38)	5 (0.13)	575 (302)	60	Good	Good	5.0 (2.3)
101	D	A	15 (0.38)	5 (0.13)	625 (329)	60	Good	Good	7.1 (3.2)
102	D	C	15 (0.38)	5 (0.13)	625 (329)	60	Good	Good	4.9 (2.2)
103	D	G	15 (0.38)	5 (0.13)	625 (329)	60	Good	Good	6.2 (2.8)
104	D	F	15 (0.38)	5 (0.13)	625 (329)	60	Good	Good	7.5 (3.4)
105	C	A	15 (0.38)	5 (0.13)	625 (329)	60	Good	Good	8.4 (3.8)
106	C	C	15 (0.38)	5 (0.13)	625 (329)	60	Good	Good	5.7 (2.6)
107	D	A	15 (0.38)	5 (0.13)	625 (329)	60	Good	Good	ND
108	D	C	15 (0.38)	5 (0.13)	625 (329)	60	Good	Good	7.0 (3.2)
109	C	F	15 (0.38)	5 (0.13)	600 (316)	90	Good	Good	6.8 (3.1)

5 ND denotes the value was not determined.

Inventive Examples 97-109 show that two station extrusion of homogeneously branched ethylene polymers results in carpet samples with good flexibility and good cohesion of the carpet components. The top layer can also contain fillers or recycled polymeric materials to modify properties or for cost savings.

EXAMPLES 110-117

15 Table 10 summarizes the polymers, extrusion conditions and carpet performance results for Inventive Examples 110-117. These Examples used the

66

same extrusion equipment, greige goods and extrusion conditions as listed for Examples 1-12, with the exception that a single die coextrusion technique was used. Different candidate ethylene polymers were introduced into both extruders, respectively. The ethylene polymers were then fed simultaneously into a single die and coextruded onto the backside of the greige goods. The layer extruded onto the backside of the carpet (i.e., adjacent to the primary backing material) was identified as the bottom layer, while the outer layer was identified as the top layer. Different thicknesses were evaluated and different melt temperatures were used.

10

Table 10

Ex.	Top Resin	Bottom Resin	Thick Top mil (mm)	Thick Bottom mil (mm)	Melt Temp Top °F (°C)	Melt Temp Bottom °F (°C)	Line Speed ft/min (m/min)	Flex	Lamination Strength	Tuft Bind lbs. (kg)
110	C	A	15 (0.38)	5 (0.13)	525 (274)	475 (246)	22 (6.7)	Good	Good	8.2 (3.7)
111	C	G	15 (0.38)	5 (0.13)	525 (274)	475 (246)	22 (6.7)	Good	Good	7.8 (3.5)
112	C	F	15 (0.38)	5 (0.13)	525 (274)	475 (246)	22 (6.7)	Good	Good	8.1 (3.7)
113	D	F	15 (0.38)	5 (0.13)	525 (274)	475 (246)	22 (6.7)	Good	Good	5.6 (2.5)
114	C	A	10 (0.25)	5 (0.13)	525 (274)	475 (246)	30 (9.1)	Good	Good	7.9 (3.6)
115	C	G	10 (0.25)	5 (0.13)	525 (274)	475 (246)	30 (9.1)	Good	Good	5.9 (2.7)
116	C	F	10 (0.25)	5 (0.13)	525 (274)	475 (246)	30 (9.1)	Good	Good	8.1 (3.7)
117	C	F	15 (0.38)	5 (0.13)	550 (288)	500 (260)	22 (6.7)	Good	Good	7.5 (3.4)

Inventive Examples 110-117 show that single die coextrusion of homogeneously branched ethylene polymers results in carpet samples with good flexibility and good cohesion of the carpet components. The top layer can also contain fillers or recycled polymeric material to modify properties or provide for cost savings.

EXAMPLES 118-122

20

As a simulation of extrusion coating, a compression molding method was developed to melt plaques of candidate resins on to the backside of greige

67

goods. This method employs a programmable press. The following lists the procedure.

Ethylene polymer pellets granules or powder were pressed into plaques weighing approximately 16 grams and having a thickness of 0.025 inches (0.64 mm). The press used was a pneumatic Tetrahedron programmable press. The polymer pellets, granules or powder were placed between Mylar brand polyester film in the desired plaque mold and preheated for 30 seconds at 374°F (190°C) (this was accomplished by inserting the samples into the pre-heated press and closing the platens sufficiently to allow for heating of the polymer sample without compressing it). After 30 seconds, the platens were completely closed and the Tetrahedron program was started. The program provided 2 tons (1,814 kg) compression at 374°F (190°C) for 1.5 minute and 50 tons (4.5×10^4 kg) compression at 100°F (38°C) cooling for 5 minutes. Once the program had ended, the sample was removed and further cooled. Samples were then stored for later use in a compression lamination step with greige good squares.

Greige goods were cut into squares (slightly larger than the size used to mold the ethylene polymer samples as described above) and taped onto an insulation board. The sample squares were then preheated for 15 minutes in a Hot Pack oven set at 110°C.

Ethylene polymer plaques as prepared above were placed on Mylar brand polyester film and set into the preheated press (374°F) (190°C) for 5 minutes. The press platens were closed sufficiently to pre-heat the plaques without compressing them. The greige good squares, which had been preheated for about 5 minutes at about 374°F (190°C), were then taken from the Hot Pack oven and introduced to the press (i.e., inverted onto preheated polymer plaques. At the instant the polymer plaques and greige good squares were married, approximately 0.1 ton (90.7 kg) of force was applied and then the press was immediately opened. The laminated samples were then taken out of the press and allowed to cool to ambient room temperature. The amount of time required to compression laminate the greige good squares and the polymer plaques was about 3-7 seconds.

68

Table 12 gives molding conditions and performance results for various homogeneously branched substantially linear ethylene polymers.

Table 12

Example	Resin	Tuft bind lbs. (kg)
118	C	17.7 (8.0)
119	B	14.3 (6.5)
120	A	11.2 (5.1)
121	G	17.5 (7.9)
122	H	12.8 (5.8)

5

EXAMPLES 123-131

To measure the adhesion of candidate ethylene polymers to greige
 10 good squares, the compression lamination method described for Examples 118 -
 122 was used. Peel strengths were then measured using an Instron set at a 25
 mm/minute cross-head speed.

Table 13 gives adhesion results for various homogeneously
 branched ethylene polymers, high pressure LDPE, heterogeneously branched
 15 ULDPE, heterogeneously branched LLDPE, and HDPE laminated to squares made
 from polypropylene carpet greige goods.

69

Table 13

Example	Resin	Adhesion Strength, lbs. (kg)
123	E	7.83 (3.6)
124	B	4.82 (2.2)
125	C	1.77 (0.8)
126	G	3.19 (1.4)
127	I	4.73 (2.1)
128*	P	0.40 (0.2)
129*	N	1.60 (0.7)
130*	O	1.41 (0.6)
131*	M	1.79 (0.8)
132*	Q	0.49 (0.2)

**Denotes Comparative Run Example. the example is not an example of the preferred embodiment of the present invention

5

These Examples show that homogeneously branched substantially linear ethylene polymers and homogeneously branched linear ethylene polymers provide superior adhesion relative to ordinary polyolefin resins and as such result in enhanced performance when used as adhesive backing materials.

10

The interface of carpet sample cross-section were captured in photomicrographs using a scanning electron microscope to assess the adhesive interaction between various carpet components. FIG. 3 is a photomicrograph of the interface cross-section of Example 18 at 20x and 50 x magnifications. FIG. 4 is a photomicrograph of the interface cross-section of Example 22 at 20x and 50 x magnifications. Whereas Example 18 was found to possess only fair carpet performance, Example 22 was found to possess relatively good carpet performance. The improved performance of Example 22 is attributed to the enhanced intimate contact between the adhesive backing material and the primary backing material and to the substantial encapsulation of fiber bundles due to enhanced bundle penetration. The enhanced bundle penetration of Example 22 relative to Example 18 is clearly evident when comparing Fig. 3 and FIG. 4.

15

20

70

To quantify bundle penetration, digital image analysis was performed using a Quantimet 570 imager available from Leica, Inc. Deerfield, Ill. and running Version 2.0 QUIC software. Digital images were obtained from a scanning electron microscope through a Sanyo VDC 3860 CCD video camera equipped with a Javelin 12.5 - 75 mm zoom lens.

The total cross-section area of a fiber bundle was defined by tracing over the digital image using the binary edit feature of the QUIC software. The void cross-section area (i.e., area of no backing material penetration) of the bundle was determined in the same manner as for the total cross-section area. Bundle penetration was then calculated as one minus the ratio of void to bundle areas.

FIG. 5 shows the relationship of between bundle penetration and tuft bind strength for nylon and polypropylene carpets. Extrusion coated ethylene polymer bundle penetrations greater than 40 percent, preferably greater than or equal to 60 percent, more preferably greater than or equal to 80 percent and most preferably greater than or equal to 90 percent are required for good carpet performance.

Also, FIG. 5 indicates that lower fiber bundle penetration levels are required for nylon carpet to achieve the same level of abrasion resistance as for polypropylene carpet. Here, the nylon carpet has two important differences relative to the polypropylene carpet. For one, the nylon carpet was washed with a mild aqueous detergent solution as part of the dyeing operation. Secondly, the nylon carpet fibers are polar while the polypropylene carpet fibers are nonpolar. However, the result in FIG. 5 of a lower fiber bundle penetration requirement for the nylon carpet is unexpected and surprising in that although a nonpolar adhesive backing material is employed, high abrasion performance appears to be obtained easier with a washed or scoured polar carpet (i.e., nylon) relative to the nonpolar carpet (i.e., polypropylene). Ordinarily, one skilled in the art would expect like materials to better attract one another and thereby require less penetration of the adhesive backing material into the fiber bundles for a given level of abrasion resistance. This result is also surprising in that homogeneously branched ethylene polymers have been shown in U.S. Patent 5,395,471 to exhibit improved adhesion to polypropylene substrates yet here better results are obtained for nylon fibers

71

over polypropylene fibers. These results indicated that selection of the adhesive backing material for mechanical bonding and a scouring or washing process step can compensate for the lack of or reduced chemical interactions between the various carpet components.

5

EXAMPLES 133-141

To indicate the relative ability of candidate ethylene polymers to penetrate carpet yarn or fiber bundles at reasonable processing temperatures and thereby provide good carpet performance, solidification temperature testing was performed. In this test, candidate ethylene polymers were tested in the Temperature Sweep mode on a Rheometrics Mechanical Spectrometer 800E (S/N 035-014) fitted with a cone/cylinder fixture. The dimensions of the fixture were 52 mm (cup inside diameter) x 50 mm (bob outside diameter) x 17 mm (bob height) x 0.04 (cone angle). The gap between the bob and cup was calibrated to $50 \mu\text{m} \pm 2 \mu\text{m}$ at room temperature and zero gap at 220°C . Samples were loaded into the cup and heated until molten. The gap was set to $50 \mu\text{m} \pm 2 \mu\text{m}$ as soon as the bob was pushed in. Any excess amount of samples or overflow was cleaned away. The solidification measurement was initiated when the tool temperature reached 220°C . The cup was oscillated at 1 Hz and 20% dynamic strain. The experiment proceeded by a first slow cool rate from 220°C to 110°C at a $10^\circ\text{C}/\text{step}$. Samples were treated to a second slow cool rate of $5^\circ\text{C}/\text{step}$ from 110°C to 40°C . To prevent any contraction of the fixture, auto-tension was applied to keep the normal force slightly above zero. The auto-tension was set as: 5 gram(pre-tension), 1 gram sensitivity and $100 \text{ dyne}/\text{cm}^2$ ($1.02 \text{ kg}/\text{m}^2$) low limit. When samples solidified, high torque was suddenly generated. An auto-strain was applied to prevent transducer from overloading before the sample was completely solidified. The auto-strain was set as: 100% maximum applied strain, 100 g-cm maximum allowed torque, 10 g-cm minimum allowed torque and 50% strain adjustment. The entire experiment was conducted in a dried nitrogen environment to minimize sample degradation.

72

Table 14 gives solidification temperatures for homogeneously branched ethylene polymers and a high pressure LDPE extrusion coating resin.

Table 14

Example	Resin	Solidification Temp, °C
133	B	83
134	C	91
135	G	94
136	E	76
137	H	95
138	A	70
139	F	71
140	I	77
141*	S	106

*Denotes LDPE resin.

5

These Examples show that homogeneously branched ethylene polymers have relative low solidification temperatures and, as such, a better ability to penetrate carpet yarns or fiber bundle compared to ordinary low density polyethylenes. Olefin polymers suitable for use in the present invention are thought to have solidification temperatures less than 100°C, preferably less than or equal to 90°C, more preferably less than or equal to 85°C, and most preferably less than or equal to 80°C. In certain embodiments of the present invention, the solidification temperature of the olefin extrusion coating resin, wherein homogeneously branched ethylene polymers are preferred, is in the range of from about 65 to about 100°C, preferably from about 70 to about 90°C and more preferably from about 70 to about 85°C.

10

15

EXAMPLES 142-152

20

In another evaluation, a wet vacuum scouring and washing technique was investigated to determine its effect on the performance of adhesive backing materials of the present invention.

The evaluation consisted of two different wet vacuuming procedures.

25

The first wet vacuuming procedure (denoted Vac #1 in the table below) consisted of cleaning the backside of greige good samples (i.e., the primary backing material side as opposed to the fiber face side) using a commercial wet vacuum carpet

73

cleaner equipped with a dispensing/fill tank, Rinsenvac™ Carpet Cleaning System supplied by Blue Lustre Products, Inc., Indianapolis, IN., filled to dispense ambient temperature tap water as the cleaning solution. When the first wet vacuuming procedure was used, the greige good samples were subjected to two separate wet vacuum cleanings and were completely air dried after each cleaning. The second wet vacuuming procedure (denoted Vac #2 in the table below) consisted of cleaning the backside of greige good samples using the Rinsenvac™ Carpet Cleaning System filled to dispense a hot (90°C) aqueous solution of dilute Rinsenvac™ Professional Carpet Cleaner as the cleaning solution mixture. The concentration of the cleaning solution for the second wet vacuuming procedure was 10 parts tap water to 1 part Rinsenvac™ detergent. When the second wet vacuuming procedure was used, the greige good samples were subjected to one wet vacuum cleaning followed by complete air drying, a rinse using ambient temperature water and then a final complete air drying step. For each washing procedure, 0.5 gallons (1.9 liters) of cleaning solution was dispensed per 5 yd² (4.2 m²) of greige goods.

In this evaluation, unwashed (control samples) and washed tufted greige good samples were extrusion coated using a monolayer die configuration, although a single die coextrusion and dual lip coextrusion can also be used. Auxiliary equipment included: pre-heaters and heat soak ovens.

The extrusion coating equipment consisted of a two-extruder Black Clawson coextrusion line with a 3-1/2 inch (8.9 cm) diameter primary extruder with a 30:1 L/D and a 2-1/2 inch (6.4 cm) diameter secondary extruder with a 24:1 L/D. For these examples, only the large extruder was operated at variable rates. A 76 cm slot die is attached and deckled to 69 cm with a 20 mil (0.51 mm) die gap and a 6 inch (15.2 cm) air/draw gap. The nip roll pressure was set at 30 psi (0.2 MPa) and the chill roll temperature was varied.

The greige good were swatches of Volunteer™ carpet supplied by Shaw Industries. Volunteer™ carpet consists of polypropylene fibers at 26 oz/yd² (920 cm³/m²) and is characterized as a tufted, loop pile, single stitch carpet. Both control unwashed and washed greige good samples were slip sheeted onto Kraft paper during extrusion coating to apply the adhesive backing material. Both

74

unwashed control samples and washed samples were first preheated in a convection oven prior to applying the extrusion coated adhesive backing material.

A substantially linear ethylene polymer, designated XU-59100.00 as supplied by The Dow Chemical Company, was used as the adhesive backing material in this evaluation. XU-59100.00 is characterized as having a 30 g/10 min. melt index and a 0.900 g/cc polymer density. The pre-heat measured temperature was set at 160°F (71°C), extrusion coating melt temperature was set at 500°F (260°C), the chill roll temperature was set at 80°F (27°C) and the extrusion coating line speed was set at 85 ft/min (26 m/min).

After the extrusion coated samples were allowed to age for at least 24 hours at ambient room temperature, tuft bind, abrasion resistance and delamination performance were measured. Tuft bind testing was conducted according to ASTM D-1335-67. Abrasion resistance results were obtained using a Velcro test procedure wherein a 2 inch (51 mm) diameter, 2 pound (0.91 kg) roller coated with the loop side of standard Velcro was passed 10 times over the face side of coated carpet samples. The fuzz on the abraded carpet was then compared to a set of carpet standards and rated on a 1 - 10 scale (10 denoting zero fuzz). Abrasion resistance was also quantified using the Fiber Lock Test which is described hereinbelow. In general, if the Velcro Number was below 6 or the abrasion resistance of the carpet sample was rated poor, tuft binds were not measured. The following Table 15 summarizes the results of this evaluation.

Table 15

Example	Wet Vacuuming	Resin Coating Wt. - oz/yd ² (cm ³ /m ²)	Tuft Bind lbs. (kg)	Velcro Rating Number.	Fiber Lock Fuzz No.
142	None	5.0 (177)	ND	0.5	385
143	None	7.2 (255)	ND	4.3	220
144	None	11.3 (400)	7.4 (3.4)	7.5	78
145	None	10.4 (368)	8.5 (3.9)	7.4	81

75

146	Vac #1	5.5 (195)	7.4 (3.4)	8	60
147	Vac #1	8.0 (283)	7.4 (3.4)	8	61
148	Vac #1	10.6 (375)	7.7 (3.5)	9	25
149	Vac #1	11.0 (389)	6.7 (3.0)	8	40
150	Vac #2	7.1 (251)	8.3 (3.8)	8	76
151	Vac #2	7.9 (279)	8.8 (4.0)	8	52
152	Vac #2	10.2 (361)	8.4 (3.8)	8	42

The results in Table 15 show that, at equivalent adhesive backing material coating weights, the use of a wet vacuuming process step prior to the application of the adhesive backing material can significantly improve carpet performance relative to unwashed samples. The improvement is so dramatic that substantially reduced adhesive backing material coating weights can be used while maintaining excellent tuft bind and abrasion resistance.

EXAMPLES 153-163

In another evaluation, tufted greige good samples were extrusion coated to evaluate the effect of calcium carbonate as a high heat content filler and a conventional blowing agent (i.e., azodicarbonamide) when employed as an implosion agent. The calcium carbonate and the azodicarbonamide were dry-blended with a substantially linear ethylene polymer according the weight percentage shown in the table immediately below. The substantially linear ethylene polymer had 30 g/10 min. Melt index and a 0.885 g/cc density and was supplied by The Dow Chemical Company under the designation XU-59400.00. The azodicarbonamide implosion agent was Epicell #301 which was supplied as a 30 weight percent concentrate in low density polyethylene by EPI Chemical Company. The calcium carbonate which had a specific heat capacity of about

76

0.548 cal-cc/°C (2.3 Joules-cm³/°C) was supplied as a 75 percent weight concentrate in low polyethylene by Heritage Bag Company.

VolunteerTM greige goods supplied by Shaw Industries was used in this evaluation. The greige goods were polypropylene fibers, 26 oz/yd² (920
5 cm³/m²), tufted, loop pile, single stitch carpet swatches which were cut and slip sheeted onto Kraft paper for each sample such that each example adhesive backing material was extrusion coated onto the back side of the carpet (i.e., onto the primary backing material of the carpet swatches). For each sample, prior to
10 extrusion coating on the adhesive backing material, the greige goods were first preheated in a convection oven.

In this evaluation, the extrusion coating die configuration was monolayer and auxiliary equipment included pre-heaters and heat soak ovens. Specifically, the extrusion coating equipment consisted of a two-extruder Black Clawson coextrusion line with a 3-1/2 inch (8.9 cm) diameter primary extruder with
15 a 30:1 L/D and a 2-1/2 inch (6.4 cm) diameter secondary extruder with a 24:1 L/D. However, in this evaluation, only the large extruder was operated at variable rates. A 76 cm slot die was attached to the extruder and deckled to 69 cm with a 20-mil (0.51 mm) die gap and a 6-inch (15.2 cm) air/draw gap. The nip roll pressure was set at 30 psi (0.2 MPa) and the chill roll temperature was varied. The greige goods
20 pre-heat temperature was set at 160°F (71°C), the extrusion melt temperature was set at 550°F (288°C) and the line speed was 75 ft/min (23 m/min). The chill roll temperature was set at 100°F (38°C) for the sample that contained no implosion agent and was set at 70°F for samples containing the implosion agent.

After the extrusion coated samples were aged for at least 24 hours,
25 they were tested for tuft bind, abrasion resistance, Velcro rating, fuzz rating, flexibility and delamination resistance. Tuft bind testing was conducted using ASTM D-1335-67. Abrasion resistance and Velcro testing were based on qualitative tests wherein a 2 inch (51 mm) diameter, 2 pound (0.91 kg) roller coated with the loop side of standard Velcro was passed 10 times over the face
30 side of each extrusion coated samples to abrade the sample. The fuzz on the abraded carpet was then compared to a set of standards and rated on a 1 - 10 scale (10 denoting zero fuzz).

77

To provide quantitative abrasion results, a Fiber Lock Test was used. In this test, the abrasion resistance value is taken as the "Fiber Lock Fuzz Number." The test involves cutting away abraded fibers with a pair of Fiskars 6" spring-loaded scissors and comparing sample weights before and after abraded fibers are removed. Specifically, the Fiber Lock Fuzz test is performed by providing 8 inches (203 mm) cross direction x 10 inches (254 mm) machine direction extrusion coated samples; clamping the samples such that they remain flat during double rolling; double rolling the samples in the machine direction 15 times at a constant speed and at about a 45° angle using the Velcro roller discussed above in this evaluation; using a 2 inches x 2 inches (51 mm x 51 mm) sample cutter attached to a press punch certified by National Analytical Equipment Federation (NAEF) to provide two test specimens for each sample; weighing and recording the sample weights for each sample to 0.1 mg using a calibrated AE200 balance; carefully removing all abraded fiber using a pair Fiskars 6" spring-loaded scissors while avoiding cutting any part of a fiber loop; reweighing and recording the two test samples; and taking the difference in weight before and after removal of the abraded fiber as the Fiber Lock Fuzz Number (FLFN). Note that Fiber Lock Fuzz numbers relate inversely to Velcro Numbers; that is, whereas higher Velcro numbers are desirable as indicative of improved abrasion resistance, lower Fuzz numbers indicate improved abrasion resistance. Table 16 provides the weight percentage of additive and the carpet performance results.

78
Table 16

Example	Implosion Agent % active	Filler Amount %	Resin Coating Wt. - oz/yd ² (cm ³ /m ²)	Filler Wt. oz/yd ² (cm ³ /m ²)	Tuft Bind lbs. (kg)	Velcro Rating No.	Fiber Lock Fuzz No.
153	0	0	9.3 (329)	NA	7.1 (3.2)	5	157
154	0.5	0	10.0 (354)	NA	7.6 (3.4)	7	91
155	1.0	0	9.4 (332)	NA	6.2 (2.8)	8	52
156	1.5	0	9.7 (343)	NA	6.7 (3.0)	7	80
157	0	0	7.4 (262)	NA	8.1 (3.7)	3	261
158	0	45	8.1 (286)	6.6 (233)	7.8 (3.5)	7	99
159	0	60	6.4 (226)	9.6 (340)	8.1 (3.7)	6	125
160	0	0	9.3 (329)	NA	7.1 (3.2)	3	261
161	0.5	15	9.6 (340)	1.7 (60)	9.0 (4.1)	7	90
162	0.5	30	8.9 (315)	3.9 (138)	8.7 (3.9)	7	108
163	0.5	45	8.0 (283)	6.6 (233)	7.5 (3.4)	8	73

All examples in this evaluation exhibited good flexibility and examples with a Velcro number of at least 6 all exhibited good delamination resistance. The examples wherein the implosion agent was used all had closed cells and a collapsed adhesive backing material matrix i.e., the thickness of the adhesive backing material layer was about same with and without the implosion agent. Table 16 shows that the use an implosion agent and a high heat content filler either separately or in combination significantly improves both the tuft bind and abrasion resistance of extrusion coated carpet compared to an equivalent coating weight of resin without these additives. Also, Table 16 surprisingly indicates that the use of these additives allow improved performance at reduced adhesive backing material coat weights.

79

EXAMPLES 164-175

5 In another evaluation, an unmodified control adhesive backing material sample and two adhesive backing material samples modified by the addition of maleic anhydride grafted ethylene polymer were extrusion coated onto tufted greige goods using a monolayer die configuration, although a single die coextrusion and dual lip coextrusion can also be used. Auxiliary equipment included: pre-heaters and heat soak ovens.

10 The extrusion coating equipment consisted of a two-extruder Black Clawson coextrusion line with a 3-1/2 inch (8.9 cm) diameter primary extruder with a 30:1 L/D and a 2-1/2 inch (6.4 cm) diameter secondary extruder with a 24:1 L/D. For these examples, only the large extruder was operated at variable rates. A 76 cm slot die was attached and deckled to 69 cm with a 20 mil ((0.51 mm) die gap and a 6 inch (15.2 cm) air/draw gap. The nip roll pressure was set at 30 psi, the chill roll temperature was set at 75-80°F (24-27°C) and the extrusion line speed was at 75 ft/min (23 m/min). Prior to application of the adhesive backing material, the greige goods were pre-heated to about 210°F (99°C) in a convection oven and the extrusion melt temperature was 595-610°F (313-321°C).

20 The unmodified control adhesive backing material was a substantially linear ethylene polymer having 30 g/10 min. melt index and a 0.885 g/cc density as supplied by The Dow Chemical Company under the designation XU-59400.00. To prepare two modified adhesive backing materials, XU-59400.00 was dry-blended with 10 weight percent of two different maleic anhydride/ethylene polymer grafts, each containing 1.0 weight percent maleic anhydride, to provide a final concentration of 0.1 weight percent maleic anhydride for the two blends. The grafts themselves were prepared following procedures described in U.S. Patent Number 4,762,890. One graft designated MAH-1 in Table 17, utilized a high density polyethylene as the host ethylene polymer. The other graft, designated MAH-2 in Table 17, utilized a substantially linear ethylene polymer as the host ethylene polymer.

80

The greige goods were swatches of Vocation 26™ carpet supplied by Shaw Industries. Vocation 26™ carpet consists of nylon fibers at 26 oz/yd² (907 cm³/m²) and is characterized as a tufted, loop pile, single stitch carpet. The greige good samples were slip sheeted onto Kraft paper during extrusion coating to apply the control adhesive backing material and the two modified adhesive backing materials. No secondary backing material was added to the backside of the samples after application of the adhesive backing materials, although such can also be used.

After the extrusion coated samples were allowed to age for at least 24 hours at ambient room temperature, tuft bind, abrasion resistance and delamination performance were measured. Tuft bind testing was conducted according to ASTM D-1335-67. Abrasion resistance results were obtained using the Velcro test procedure described above wherein a 2 inch (51 mm) diameter, 2 pound (0.91 kg) roller coated with the loop side of standard Velcro was passed 10 times over the face side of coated carpet samples. The fuzz on the abraded carpet was then compared to a set of carpet standards and rated on a 1 - 10 scale (10 denoting zero fuzz). Abrasion resistance was also quantified using the Fiber Lock Test described above. In general, if the Velcro Number was below 6 or the abrasion resistance of the carpet sample was rated poor, tuft binds were not measured. The following Table 17 summarizes the results of this evaluation.

81
Table 17

Example	MAH Type	Resin Coating Wt. - oz/yd ² (cm ³ /m ²)	Tuft Bind lbs.	Velcro Rating Number.	Fiber Lock Fuzz No.
164	None	3.7 (131)	5.3	6	148
165	None	4.9 (173)	5.2	6	161
166	None	6.0 (212)	5.6	4	218
167	None	8.7 (308)	7.3	6	136
168	MAH-1	3.4 (120)	5.2	5	197
169	MAH-1	4.9 (173)	7.0	5	131
170	MAH-1	5.4 (226)	8.4	7	102
171	MAH-1	8.7 (308)	9.0	7	93
172	MAH-2	3.6 (127)	5.7	5	200
173	MAH-2	5.2 (184)	5.5	6	128
174	MAH-2	7.9 (279)	9.1	7	81
175	MAH-2	8.6 (304)	8.2	7	110

The results in Table 17 show that the incorporation of maleic anhydride ethylene polymer grafts, wherein either a high density polyethylene (HDPE) or a substantially linear ethylene polymer is employed as the host resin, permit significant improvements in comparative tuft bind strength and abrasion resistance. One advantage of these improvements is now practitioners can employ reduced thermoplastic adhesive backing material coat weights for purposes of cost-savings and still maintain desired levels of high performance.

EXAMPLES 176-181

Example 176 was the same as example 88 above except that there was no adhesive backing extruded onto the carpet. The carpet thus produced had good bundle penetration and wrap. Measurements showed that about 12 OSY (424 cm³/m²) of the FN500, based on dry weight, were added to the carpet backing. The carpet was also tested according to test method ASTM D1335 to measure the tuft bind strength of the carpet (See, *1991 Annual Book of ASTM Standards*, Volume 07.01). This test measures the force required to pull one or both legs of a loop in a loop pile carpet free from the backing. The carpet made in

82

Example 176 showed an average tuft bind strength of 9.0 pounds (4.1 kg).

Example 177 was the same as example 176 except for the following changes: First, a defoamer was not used in the dispersion. Second Aerosil A300 from Degussa was added to the dispersion at 0.5 parts. Third, an HDPE from Dow
5 Chemical Co. under the designation DOW 12065 HDPE was used in the place of FN500. Fourth, a surfactant under the designation DA-6 from Sun Chemical International was used in place of the CO-430. Finally, the carpet was dried in a Blue M forced air convection oven at 270°F (132°C) for 30 minutes. The add-on for the HDPE was 8.6 OSY (304 cm³/m²). The average tuft bind strength was
10 measured at 4.0 pounds (1.8 kg).

Example 178 was the same as example 177 except that the Aerosil A-300 was removed and that, instead of the HDPE, an ethylene vinyl acetate (EVA) polymer from Quantum under the designation FE-532. The add-on for the EVA was 10 OSY (354 cm³/m²). The average tuft bind strength for the resulting
15 carpet was measured at 8.2 pounds (3.7 kg).

Example 179 was the same as example 178 except that, instead of the EVA, a polyethylene from Quantum under the designation MRL-0414 was used. The add-on for the polyethylene was 3 OSY (106 cm³/m²) and the average tuft bind strength was measured at 2.3 pounds (1.04 kg).

20 Example 180 was the same as example 177 except that add-on for the FN500 was 5.4 OSY (191 cm³/m²). The tuft bind strength was measured at 5.2 pounds (2.4 kg).

Example 181 was the same as example 180 except that, instead of the Igepal CO-430, a surfactant under the designation OT-75 from Sun Chemical
25 International was used. The add-on for the FN500 was 10.5 OSY (371 cm³/m²) and the average tuft bind strength was 4.3 pounds (1.95 kg).

EXAMPLES 182-193

30 Examples 182-193 were performed to demonstrate different secondary backings applied to the carpet made in Example 176.

83

In Example 182, a piece of carpet made in Example 176 received a secondary backing by placing a coextruded sheet of ethylene vinyl acetate/polyethylene from Quantum Chemical Co. under the designation NA202 UE635 on top of the non-pile side of the carpet. The pre-extruded sheet was 23 mil (0.58 mm) thick. The carpet was then placed in a gravity convection oven set at 300°F (149°C) for 30 minutes so as to cause the sheet to melt and bond to the back of the precoated carpet. The carpet was then allowed to cool to ambient temperatures.

Examples 183-185 were performed the same as Example 182 with the exception that the sheet of Quantum NA202 UE635 was 35, 37 and 50 mil (0.89, 0.94 and 1.3 mm) thick, respectively.

Example 186 was performed by taking the carpet from Example 176 and applying a calcium carbonate filled VAE latex over the back of the carpet. The carpet was then placed in a gravity convection oven at 300°F (149°C) for 30 minutes to dry the VAE. The coating weight was about 25 OSY (884 cm³/m²), based on dry weight.

Example 187 was performed the same as Example 186 except that the latex was an unfilled VAE latex. In particular, this latex was purchased from Reichold Chemical Co. under the designation Elvace 97808.

Example 188 was performed the same as Example 186 with the exception that a calcium carbonate filled Styrene Butadiene Rubber (SBR) latex was used in place of the VAE latex. The SBR latex was applied so as to a coating weight of about 25 OSY (884 cm³/m²).

Example 189 was performed by taking carpet from Example 176 and spreading an EVA powder on the back of the carpet. In particular, the EVA powder was from DuPont under the designation Elvax 410 and was applied at 10 OSY (354 cm³/m²).

Example 190 was performed the same as Example 189 with the exception that the powder was a polyolefin wax supplied by Hercules under the designation Polywax 2000.

Example 191 was performed by taking the carpet from Example 176 and applying a compounded hot melt adhesive to the back of the carpet. In

84

particular, the hot melt consisted of filled EVA and Piccovar CB-20 from Hercules, Inc. and was applied to the carpet at 30 OSY (1,061 cm³/m²) and at a temperature of about 300°F (149°C).

5 Example 192 was performed the same as Example 191 with the exception that a urethane foam pad was laminated to the carpet backing through the hot melt. In particular, a polyurethane foam pad, available from Shaw Industries under the designation Duratech 100, was laminated with the hot melt.

10 Example 193 was performed in accordance with the preferred embodiment of the aqueous pre-coat aspect of the present invention. A sample of carpet from Example 176 had a sheet of a polymer extruded directly onto the back. The polymer used was the polyethylene elastomer provided designated "G" in Table 1 above. The density of this particular polymer was about 0.90 g/cc. The melt index was 75.

15 A Marsden propane fired infrared heater was used to preheat the substrate. The heater was set at temperatures between about 200°F (93°C) and about 230°F (110°C). The temperature of the carpet was measured at about 145°F (63°C) at the point just prior to receiving the extruded sheet. The polymer was extruded at a 7 mil (0.18 mm) thickness using a typical extrusion coating setup used for paper coating. In particular, a typical polyethylene type extruder was
20 used with temperatures of 350°F (177°C) for the first barrel, 375°F (191°C) for the second barrel and 400°F (204°C) for the remaining barrels, the manifold and the extrusion die. The die was a slot type that extruded a curtain of hot polymer onto the back of the carpet. The carpet was then placed around a chill roll with the back against the chill roll and with a temperature of 120°F (49°C). The line speed was
25 set to 23 feet per minute (7 m/min). The carpet was pressed at the chill roll with a nip pressure of 45 psi (0.31 MPa). Although not done in this specific example, a fabric, such as a typical polypropylene secondary backing fabric from Amoco Fabrics & Fibers as "ActionBac[®]," can be laminated through the extruded sheet just prior to or at this chill roll.

85

EXAMPLES 194-197

Examples 194-197 were conducted to make carpet tile according to the present invention.

- 5 Example 194 was carried out in accordance with the most preferred method of making carpet tile. A 6 ft. (1.8 m) wide greige good was provided in a roll. The greige good comprised polypropylene yarn tufted into a non-woven primary backing obtained from Akzo under the name "Colback" (a blend of polyamide and polyester polymers) as cut pile at a face yarn weight of about 45
- 10 OSY (1,592 cm³/m²). This greige good was passed below the extruder at 17 feet per minute (5.2 m/min). The extruder contained a molten polymer mix having the following composition:

86

	<u>% by wt.</u>
Substantially linear ethylene polymer (XU-59400.00 from Dow)	24
Maleic Anhydride Grafted Polyethylene (XU-60769.07 from Dow)	4
Calcium Carbonate Filler (Georgia Marble #9)	59
Tackifier (Hercatac 1148 from Hercules)	12
Black Concentrate	1
	100

The temperature at the die was about 500°F. About 25 OSY (884 cm³/m²) was applied in a first pass, after which a sheet of a reinforcement fabric was laid on top of this first layer of polymer. The reinforcement fabric in this example was a 3.5 OSY (124 cm³/m²) sheet of Typar (a non-woven polypropylene fabric available from Reemay as "3351"). After passing over a chill roll, the carpet was rolled up for a subsequent pass through the line to apply a second layer.

In a second pass through the same line, a second layer of the same extrudate was applied on top of the reinforcement sheet. The total add-on, not including the Typar was 49.2 OSY (1,740 cm³/m²).

After cooling, the carpet was cut into 18 inches (45.7 cm) square tiles and tested for Tuft bind, and Aachen dimensional stability. The results are shown in the Table 18 below.

Example 195 was performed the same as Example 194 except that a loop pile nylon yarn was used for the face yarn at 20 OSY (707 cm³/m²) with a straight stitch and the total add-on was 54.0 OSY (1,910 cm³/m²).

Example 196 was performed the same as Example 195 except that the loop pile nylon yarn was tufted at 30 OSY (1,061 cm³/m²) with a shifted stitch and the total add-on was 52.6 OSY (1,860 cm³/m²).

87

Example 197 was performed the same as Example 196 except that the primary backing used was a non-woven polyester fabric sold by Freudenberg as "Lutratur." The total add-on was 52.3 OSY (1,850 cm³/m²).

5

Table 18

Ex #	Face Fiber	Add-On OSY (cm ³ /m ²)	Tuft bind* lbs. (kg)	Aachen M (% change)	Aachen XM (% change)
194	PP	49.2 (1,740)	2.9 (1.3)	-0.023	0.105
195	Nylon	54.0 (1,910)	4.6 (2.1)	-0.062	0.144
196	Nylon	52.6 (1,860)	4.2 (1.9)	-0.054	-0.054
197	Nylon	52.3 (1,850)	4.7 (2.1)	0.063	0.091

*Yarn broke on Tuft bind test

EXAMPLES 198-208

10

Examples 198-208 were conducted to make carpet tile with different add-on weights for the second pass. In addition, two different reinforcement materials were tests.

15

Example 198 was performed the same as Example 194 above with the exception that the extrudate applied in the first pass had the following composition:

88

	<u>% by wt.</u>
Substantially linear ethylene polymer (XU-59400.00 from Dow)	69
Calcium Carbonate Filler (Georgia Marble #9)	30
Black Concentrate	1
	100

11 OSY ($389 \text{ cm}^3/\text{m}^2$) of this extrudate was applied to the back of a
5 greige good that consisted of a polypropylene yarn tufted into a woven
polypropylene primary backing at about 26 OSY ($920 \text{ cm}^3/\text{m}^2$) in a loop pattern.

In Examples 198-203, a 3.5 OSY ($124 \text{ cm}^3/\text{m}^2$) Typar fabric was
embedded between the first layer of extrudate and the second. In Examples 204-
208, a 1.4 OSY ($49.5 \text{ cm}^3/\text{m}^2$) fiberglass scrim from ELK Corp. was used as the
10 reinforcement layer.

In all of Examples 198-208, the second layer of extrudate, which was
put on in a second pass through the same line, had the following composition:

	<u>% by wt.</u>
89 Substantially linear ethylene polymer (XU-59400.00 from Dow)	24
Maleic Anhydride Grafted Polyethylene (XU-60769.07 from Dow)	4
Calcium Carbonate Filler (Georgia Marble #9)	59
Tackifier (Hercatac 114876 from Hercules)	12
Black Concentrate	1
	100

The add-on weight from the second pass was varied as shown below in Table 19. The carpet was cut into tiles and subjected to the Aachen dimensional stability test with the results noted below.

90
Table 19

Ex #	Reinforce-ment OSY (cm ³ /m ²)	2 nd Pass Add-On, OSY (cm ³ /m ²)	Total Add-On, OSY (cm ³ /m ²)	Aachen M (% change)	Aachen XM (% change)
198	Typar 3.5 (124)	29.7 (1,050)	40.7 (1,440)	.059	.061
199	Typar 3.5 (124)	30.5 (1,079)	41.5 (1,468)	.044	.100
200	Typar 3.5 (124)	39.3 (1,390)	50.3 (1,779)	-.064	.075
201	Typar 3.5 (124)	44.0 (1,556)	55.0 (1,945)	-.106	.014
202	Typar 3.5 (124)	47.5 (1,680)	58.5 (2,069)	0	.044
203	Typar 3.5 (124)	56.0 (1,981)	67.0 (2,370)	.003	.067
204	f.g. 1.4 (50)	41.6 (1,471)	52.6 (1,860)	.083	.070
205	f.g. 1.4 (50)	47.3 (1,673)	58.3 (2,062)	.086	.014
206	f.g. 1.4 (50)	52.3 (1,850)	63.3 (2,239)	.003	.086
207	f.g. 1.4 (50)	54.1 (1,914)	65.1 (2,303)	.044	.014
208	f.g. 1.4 (50)	58.4 (2,066)	69.4 (2,455)	.025	.019

5 While particular preferred and alternative embodiments have been described herein, it should be noted that various other embodiments and modifications can be made without departing from the scope of the inventions described herein. It is the appended claims which define the scope of the patent issuing from the present application.

91

What is claimed is:

1. A method of making a carpet, the carpet comprising (i) a plurality of fibers attached to a primary backing material having a face and a back side and (ii) an adhesive backing material which comprises at least one homogeneously branched ethylene polymer characterized as having a single melt point as measured by differential scanning calorimetry (DSC) between -30 and 140°C and a short chain branching distribution index (SCBDI) of greater than or equal to 50 percent and which is in intimate contact with the back side of the primary backing material and has substantially penetrated and substantially consolidated the fibers, the method comprising extrusion coating the adhesive backing material onto the back side of the primary backing material and at least one additional step selected from the group consisting of
- (a) preheating the primary backing material prior to the application of the adhesive backing material,
 - (b) during the extrusion coating of the adhesive backing material, while at a temperature greater than or equal to the softening point of the adhesive backing material, subjecting the adhesive backing material to a vacuum to draw the adhesive backing material onto the back side of the primary backing material,
 - (c) during the extrusion coating of the adhesive backing material, while at a temperature greater than or equal to the softening point of the adhesive backing material, subjecting the adhesive backing material to a positive air pressure device in addition to nip roll pressure to force the adhesive backing material onto the back side of the primary backing material, and
 - (d) heat soaking the carpet after application of the adhesive backing material onto the back side of the primary backing material.

92

2. A carpet comprising a primary backing material having a face and a back side, a plurality of fibers attached to the primary backing material and extending from the face of the primary backing material and exposed at the back side of the primary backing material, an adhesive backing material and an optional secondary backing material adjacent to the adhesive backing material, wherein the adhesive backing material comprises at least one homogeneously branched ethylene polymer characterized as having a single melt point as measured by differential scanning calorimetry (DSC) between -30 and 140°C and a short chain branching distribution index (SCBDI) of greater than or equal to 50 percent and is in intimate contact with the back surface of the primary backing material and has substantially penetrated and consolidated the fibers, and wherein the adhesive backing material or optional secondary backing material is comprised of an effective amount of at least one additive selected from the group consisting of a blowing agent and high heat content filler with the proviso that where the blowing agent is selected, the adhesive backing material or the optional secondary backing material is further characterized as having a substantially foamed, frothed or expanded non-collapsed matrix.

3. A method of making a carpet, the carpet comprising yarn attached to a primary backing material having a back side and an adhesive backing material, the adhesive backing material comprises at least one homogeneously branched ethylene polymer characterized as having a single melt point as measured by differential scanning calorimetry (DSC) at -30 and 140°C and a short chain branching distribution index (SCBDI) of greater than or equal to 50 percent, and wherein the adhesive backing material is in intimate contact with the back surface of the primary backing material and has substantially penetrated and substantially consolidated the yarn, the method comprising the step of adding an effective amount of a high heat content filler to the adhesive backing material to enhance the penetration of the adhesive backing material into the yarn.

4. A method of making a carpet, the carpet comprising yarn attached to a primary backing material having a face and a back side and an adhesive backing

93

material comprised of at least one first and at least one second ethylene polymer layers, wherein the first ethylene polymer layer is in intimate contact with the back surface of the primary backing material, has substantially penetrated and substantially consolidated the yarn, and has a higher melt index than the second ethylene polymer layer, the method comprising the steps of applying the first ethylene polymer layer directly onto the back side of the primary backing material and simultaneously or sequentially applying the second ethylene polymer layer onto the first ethylene polymer layer.

10 5. The method of Claim 4 wherein both the first and second ethylene polymer layers comprise a non-polar ethylene polymer.

 6. The method of Claim 4 wherein one of the first or second ethylene polymer layers comprise an adhesive polymer.

15

 7. A method of making carpet comprising the steps of :

- providing a primary backing material;
- tufting a yarn into the primary backing material to produce a carpet pile on the front side of the primary backing material and loops of the yarn on the

20 back side of the primary backing material;

- providing an aqueous dispersion of polyolefin particles;
- applying the dispersion to the back side of the primary backing material;
- applying heat to the dispersion to dry the dispersion and to at least

25 partially melt the polyolefin particles and thereby fix the loops of yarn to the primary backing material.

 8. The method of claim 7 wherein the particles are present in an amount between about 25 and about 50 percent by weight of the dispersion.

30

 9. The method of claim 7 wherein the average size of the particles is between about 1 and about 1000 microns.

94

10. The method of claim 9 wherein the particles comprise polyethylene.
11. The method of claim 10 wherein the polyethylene has a melt index at
5 190°C of between about 1 and about 100.
12. The method of claim 7 wherein the dispersion comprises particles of polypropylene.
- 10 13. The method of claim 7 wherein the dispersion comprises particles of ethylene acrylic acid.
14. The method of claim 7 wherein the dispersion further comprises a surfactant.
- 15 15. The method of claim 7 wherein the dispersion further comprises a thickener.
16. The method of claim 7 wherein the step of applying heat is carried
20 out in an oven at a temperature between about 100 and about 150 °C.
17. The method of claim 16 wherein the temperature is between about 5 and about 75 °C above the melting point of the thermoplastic particles.
- 25 18. The method of claim 7 wherein between about 6 and about 12 ounces per square yard of the polyolefin particles are applied to the back side of the primary backing.
- 30 19. The method of claim 7 wherein the yarn, the primary backing and the thermoplastic particles are all made from a polyolefin.

95

20. The method of claim 7 further comprising the step of applying an additional backing to the carpet by extruding a sheet of a thermoplastic material to the back side of the primary backing after the applying heat step.

5 21. The method of claim 20 wherein the thermoplastic material in the extruded sheet is selected from the group consisting of polyolefin, polyvinyl chloride, ethylene vinyl acetate, polyamide, polyester, and copolymers thereof.

10 22. The method of claim 20 wherein the thermoplastic material in the extruded sheet is a thermoplastic elastomer.

15 23. The method of claim 20 wherein the thermoplastic material in the extruded sheet is a homogeneously branched ethylene polymer characterized as having a single melt point as measured by differential scanning calorimetry (DSC) between -30 and 140°C and a short chain branching distribution index (SCBDI) of greater than or equal to 50 percent.

20 24. The carpet of Claim 23 wherein the homogeneously branched linear ethylene polymer is an interpolmer of ethylene with at least one C₃-C₂₀ α -olefin.

25 25. The carpet of Claim 23 wherein the homogeneously branched linear ethylene polymer is a copolymer of ethylene and one C₃-C₂₀ α -olefin.

26. The carpet of Claim 23 wherein the homogeneously branched linear ethylene polymer has a density in the range about 0.86 g/cc to about 0.90 g/cc.

27. The method of claim 20 wherein the thermoplastic material in the extruded sheet is a polyolefin.

30 28. The method of claim 20 wherein the yarn, the primary backing, the thermoplastic polymers and the extruded sheet are all made from a polyolefin.

96

29. The method of claim 7 further comprising the step of applying an additional backing to the carpet by applying a layer of adhesive to the back side of the primary backing and laminating a secondary backing material thereto.

5

30. The method of claim 29 wherein the adhesive and the secondary backing material are made from a polyolefin.

31. The method of claim 7 further comprising the step of applying an additional backing to the carpet by applying a layer of melted polyolefin on the back side of the primary backing.

10

32. The method of claim 7 further comprising the step of applying an additional backing to the carpet by casting a thermosettable material on the back side of the primary backing and then applying heat to set the thermosettable material.

15

33. A carpet comprising:

a primary backing with a face side and a back side, said primary backing being made from a polyolefin;

20

polyolefin yarn tufted into the primary backing so as to produce a carpet pile on the face side of the primary backing and loops of yarn on the back side of the primary backing;

25

polyolefin particles that have been at least partially melted around the loops of yarn on the back side of the primary backing to thereby bind the loops to the back side of the primary backing.

34. The carpet of claim 33 further comprising a secondary backing attached to back side of the primary backing, said secondary backing being made from a polyolefin.

30

97

35. The carpet of claim 34 wherein the secondary backing is attached to the primary backing through an extruded sheet of a polyolefin.

5 36. The carpet of claim 35 wherein the primary and secondary backing are made from polypropylene and the polyolefin particles and the extruded sheet are made from polyethylene.

10 37. The carpet of claim 36 wherein the carpet further includes a label or literature at the time of sale which represents that the carpet is recyclable without segregation of carpet components.

15 38. A method of making carpet comprising the steps of :
providing a primary backing material;
tufting a yarn into the primary backing material to produce a carpet pile on the front side of the primary backing material and loops of the yarn on the back side of the primary backing material;
extruding a first sheet of a first thermoplastic material to the back side of the primary backing; and
20 extruding a second sheet of a second thermoplastic material adjacent the first sheet;
wherein the melt viscosity of the thermoplastic material in the first sheet is lower than the melt viscosity of the thermoplastic material in the second sheet so as to provide for enhanced penetration of the
25 thermoplastic material in the first sheet into at least one of the primary backing material or the loops of yarn on the back side of the primary backing material.

30 39. The method of claim 38 wherein the melt index at 190°C of the thermoplastic material in the first sheet is between about 30 and about 175 g/10 min. and the melt index at 190°C of the thermoplastic material in the second sheet is below the melt index of the thermoplastic material in the first sheet and is between about 1 and about 70 g/10 min.

98

40. The method of claim 38 wherein the melt index of the thermoplastic material in the first sheet is at least about 20 g/10 min. at 190°C lower than the melt index of the thermoplastic material in the second sheet.

5

41. The method of claim 38 wherein the thermoplastic material in one of the extruded sheets is a thermoplastic elastomer.

42. The method of claim 38 wherein the thermoplastic material in one of the extruded sheets is a homogeneously branched ethylene polymer.

10

43. The method of claim 38 wherein the thermoplastic material in the first and second extruded sheets is a homogeneously branched ethylene.

15

44. A carpet comprising :

primary backing material;

yarn tufted into the primary backing material to produce a carpet pile on the front side of the primary backing material and loops of the yarn on the back side of the primary backing material;

20

a first sheet of a thermoplastic material extruded on the back side of the primary backing; and

a second sheet of a thermoplastic material adjacent the first sheet;

wherein the melt viscosity of the thermoplastic material in the first sheet is lower than the melt viscosity of the thermoplastic material in the second sheet so as to provide for enhanced penetration of the thermoplastic material in the first sheet into at least one of the primary backing material or the loops of yarn on the back side of the primary backing material.

25

30

45. The carpet of claim 44 wherein the melt index at 190°C of the thermoplastic material in the first sheet is between about 30 and about 175 g/10 min. and the melt index at 190°C of the thermoplastic material in the second sheet

99

is below the melt index of the thermoplastic material in the first sheet and is between about 1 and about 70 g/10 min.

5 46. The carpet of claim 44 wherein the melt index of the thermoplastic material in the first sheet is at least about 20 g/10 min. at 190°C lower than the melt index of the thermoplastic material in the second sheet.

10 47. The carpet of claim 44 wherein the thermoplastic material in one of the extruded sheets is a thermoplastic elastomer.

48. The carpet of claim 44 wherein the thermoplastic material in one of the extruded sheets is a homogeneously branched ethylene.

15 49. The carpet of claim 44 wherein the thermoplastic material in the first and second extruded sheets is a homogeneously branched ethylene polymer.

20 50. A method of making carpet comprising the steps of :
providing a primary backing material;
tufting a yarn into the primary backing material to produce a carpet pile on the face side of the primary backing material and loops of the yarn on the back side of the primary backing material;
heating the back side of the primary material;
while the back side of the primary material is at an elevated temperature from the heating step, extruding a sheet of a thermoplastic material to the back side of the primary backing.

25

51. The method of claim 50 where the back side of the primary backing is heated above at least about 140 °F.

30 52. The method of claim 50 wherein the thermoplastic material comprises at least one homogeneously branched ethylene polymer.

100

53. A method of making carpet comprising the steps of :
providing a primary backing material;

5 tufting a yarn into the primary backing material to produce a carpet
pile on the face side of the primary backing material and loops of the yarn
on the back side of the primary backing material;

extruding a sheet of a thermoplastic material to the back side of the
primary backing; and

10 while the sheet of thermoplastic material is still molten, applying a
vacuum to the face side to thereby draw the molten thermoplastic material
onto the back side of the primary backing.

54. The method of claim 53 where the vacuum has a draw of at least
about 15 inches of H₂O.

15 55. The method of claim 53 wherein the thermoplastic material comprises
at least one homogeneously branched ethylene polymer.

56. A method of making carpet comprising the steps of :

providing a primary backing material;

20 tufting a yarn into the primary backing material to produce a carpet
pile on the face side of the primary backing material and loops of the yarn
on the back side of the primary backing material;

extruding a sheet of a thermoplastic material to the back side of the
primary backing; and

25 while the sheet of thermoplastic material is still molten, directing
pressurized air toward the back side to thereby push the molten
thermoplastic material onto the back side of the primary backing.

30 57. The method of claim 56 wherein the pressurized air has a pressure of
at least about 20 psi.

101

58. The method of claim 56 wherein the thermoplastic material comprises at least one homogeneously branched ethylene polymer.

59. A method of making carpet comprising the steps of :

5

providing a primary backing material;

tufting a yarn into the primary backing material to produce a carpet pile on the face side of the primary backing material and loops of the yarn on the back side of the primary backing material;

10

extruding a sheet of a thermoplastic material to the back side of the primary backing; and

applying heat to the back side to thereby lengthen the time the extruded sheet of thermoplastic material remains molten thus enhancing the penetration of the thermoplastic material on the back side

15

60. The method of claim 59 where the heat is applied for at least about 3 seconds after extrusion.

61. The method of claim 59 wherein the thermoplastic material comprises at least one homogeneously branched ethylene polymer.

20

62. A method of making carpet comprising the steps of :

providing a primary backing material;

tufting a yarn into the primary backing material to produce a carpet pile on the face side of the primary backing material and loops of the yarn on the back side of the primary backing material;

25

extruding a sheet of a thermoplastic material to the back side of the primary backing;

30

prior to the extruding step, treating at least the back side of the primary backing and loops of the yarn on the back side of the primary backing to remove undesirable chemicals from the surface and thereby enhance the adhesion of the extruded sheet.

102

63. The method of claim 62 wherein the treating step includes an aqueous washing.

64. The method of claim 62 wherein the thermoplastic material comprises at least one homogeneously branched ethylene polymer.

65. A method of making carpet comprising the steps of :
providing a primary backing material;
tufting a yarn into the primary backing material to produce a carpet pile on the face side of the primary backing material and loops of the yarn on the back side of the primary backing material; and
extruding a molten sheet of a thermoplastic material to the back side of the primary backing; and
allowing the sheet of a thermoplastic material to solidify to thereby fix the loops of the yarn to the back side of the primary backing;
wherein the sheet of thermoplastic material includes an inorganic filler having a specific heat and in an amount sufficient to lengthen the solidification time of the molten sheet and thereby enhance penetration of the thermoplastic material.

66. The method of claim 65 wherein the inorganic filler is selected from the group consisting of calcium carbonate, barium sulfate, aluminum trihydrate, and talc, together with mixtures thereof.

67. The method of claim 65 wherein the inorganic filler calcium carbonate.

68. The method of claim 65 wherein the inorganic filler is present at between about 1 and about 75 weight percent of the thermoplastic material in the extruded sheet.

103

69. A method of making carpet comprising the steps of :

providing a primary backing material;

tufting a yarn into the primary backing material to produce a carpet pile on the face side of the primary backing material and loops of the yarn on the back side of the primary backing material;

extruding a molten sheet of a thermoplastic material to the back side of the primary backing, wherein the sheet of thermoplastic material includes an effective amount of at least one blowing agent; and

activating the at least one blowing agent to expand the thermoplastic material.

70. The method of claim 69 wherein the inorganic filler is selected from the group consisting of calcium carbonate, barium sulfate, aluminum trihydrate, and talc, together with mixtures thereof.

71. The method of claim 69 wherein the inorganic filler calcium carbonate.

72. The method of claim 69 wherein the inorganic filler is present at between about 1 and about 75 weight percent of the thermoplastic material in the extruded sheet.

73. A method of making carpet comprising the steps of :

providing a primary backing material;

tufting a yarn into the primary backing material to produce a carpet pile on the front side of the primary backing material and loops of the yarn on the back side of the primary backing material;

extruding a sheet of a first thermoplastic material to the back side of the primary backing; and

laminating a secondary backing material to the extruded sheet;

wherein the secondary backing comprises a material with fibers protruding therefrom to thereby enhance adhesion of the carpet to a floor.

104

74. The method of claim 73 wherein the secondary backing comprises a woven or non-woven fabric with fibers needle-punched therein.

5 75. The method of claim 74 wherein the secondary backing includes between about .5 and about 3 oz. of fibers per yard of secondary backing.

76. The method of claim 74 wherein the fibers comprise polypropylene.

10 77. The method of 73 wherein the secondary backing comprises a spun-bond non-woven fabric.

78. A method of making carpet comprising the steps of :

providing a primary backing material;

15 tufting a yarn into the primary backing material to produce a carpet pile on the front side of the primary backing material and loops of the yarn on the back side of the primary backing material;

extruding a sheet of a first thermoplastic material to the back side of the primary backing; and

20 laminating a secondary backing material to the extruded sheet, said secondary backing comprising a leno weave fabric with monofilament strands in the machine and cross directions.

25 79. The method of claim 78 wherein the secondary backing is made of polypropylene.

30 80. A carpet comprising a primary backing material having a face and a back side, a plurality of fibers attached to the primary backing material and extending from the face of the primary backing material and exposed at the back side of the primary backing material, an adhesive backing material and an optional secondary backing material adjacent to the adhesive backing material, wherein the adhesive backing material comprises at least one homogeneously branched linear

105

ethylene polymer characterized as having a single melt point as measured by differential scanning calorimetry (DSC) between -30 and 140°C and a short chain branching distribution index (SCBDI) of greater than or equal to 50 percent and is in intimate contact with the back surface of the primary backing material and has substantially penetrated and consolidated the fibers, and wherein the adhesive backing material or optional secondary backing material is comprised of an effective amount of at least one additive selected from the group consisting of a blowing agent and high heat content filler with the proviso that where the blowing agent is selected, the adhesive backing material or the optional secondary backing material is further characterized as having a substantially foamed, frothed or expanded non-collapsed matrix.

81. A method of making a carpet, the carpet comprising yarn attached to a primary backing material having a back side and an adhesive backing material, the adhesive backing material comprises at least one homogeneously branched ethylene polymer characterized as having a single melt point as measured by differential scanning calorimetry (DSC) at -30 and 140°C and a short chain branching distribution index (SCBDI) of greater than or equal to 50 percent, and wherein the adhesive backing material is in intimate contact with the back surface of the primary backing material and has substantially penetrated and substantially consolidated the yarn, the method comprising the step of adding an effective amount of a high heat content filler to the adhesive backing material to enhance the penetration of the adhesive backing material into the yarn.

82. The method of Claim 81 wherein the inorganic filler is selected from the group consisting of calcium carbonate, barium sulfate, aluminum trihydrate, and talc, together with mixtures thereof.

83. The method of Claim 81 wherein the inorganic filler calcium carbonate.

106

84. The method of Claim 81 wherein the inorganic filler is present at between about 1 and about 75 weight percent based on the total weight of the at least one homogeneously branched ethylene polymer.

5 85. A method of making a carpet, the carpet having a foamed, frothed or expanded adhesive backing material and comprising yarn attached to a primary backing material having a face and back side, the adhesive backing material comprising at least one ethylene polymer and is in intimate contact with the back side of the primary backing material and has substantially penetrated and substantially
10 consolidated the yarn, the method comprising the step of adding an effective amount of at least one blowing agent to the adhesive backing material and thereafter activating the blowing agent to foam, froth or expand the adhesive backing material.

15 86. The method of Claim 85 wherein the at least one ethylene polymer is a homogeneously branched linear ethylene polymer.

87. The method of Claim 86 wherein the homogeneously branched linear ethylene polymer is an interpolymer of ethylene with at least one C₃-C₂₀ α -olefin.

20 88. The method of Claim 87 wherein the C₃-C₂₀ α -olefin is selected from the group consisting of propylene, 1-butene, 1-isobutylene, 1-pentene, 1-hexene, 4-methyl-1-pentene, 1-heptene and 1-octene.

25 89. The method of Claim 86 wherein the homogeneously branched linear ethylene polymer is characterized as having a single melt point as measured by differential scanning calorimetry (DSC) between -30 and 140°C and a short chain branching distribution index (SCBDI) of greater than or equal to 50 percent.

30 90. The method of Claim 89 wherein the homogeneously branched linear ethylene polymer has a density in the range about 0.86 g/cc to about 0.90 g/cc.

107

91. A method of making carpet comprising the steps of:

providing a primary backing material;

tufting a yarn into the primary backing material to produce a carpet
pile on the face side of the primary backing material and loops
of the yarn on the back side of the primary backing material;

extruding a molten sheet of a thermoplastic material to the back side
of the primary backing, wherein the sheet of thermoplastic
material includes an effective amount of at least one blowing
agent; and

activating the at least one blowing agent to expand the thermoplastic
material.

92. The method of Claim 91 wherein the thermoplastic material is a
homogeneously branched linear ethylene polymer.

93. The method of Claim 92 wherein the homogeneously branched linear
ethylene polymer has a density in the range about 0.86 g/cc to about 0.90 g/cc.

108

94. A carpet comprising a primary backing material having a face and a back side, a plurality of fibers attached to the primary backing material and extending from the face of the primary backing material and exposed at the back side of the primary backing material, an adhesive backing material and an optional secondary backing material adjacent to the adhesive backing material, wherein the adhesive backing material comprises at least one substantially linear ethylene polymers characterized as having

(a) a melt flow ratio, $I_{10}/I_2 \geq 5.63$,

(b) a molecular weight distribution, M_w/M_n , as determined by gel permeation chromatography and defined by the equation:

$$(M_w/M_n) \leq (I_{10}/I_2) - 4.63,$$

(c) a gas extrusion rheology such that the critical shear rate at onset of surface melt fracture for the substantially linear ethylene polymer is at least 50 percent greater than the critical shear rate at the onset of surface melt fracture for a linear ethylene polymer, wherein the linear ethylene polymer has a homogeneously branched short chain branching distribution and no long chain branching, and wherein the substantially linear ethylene polymer and the linear ethylene polymer are simultaneously ethylene homopolymers or interpolymers of ethylene and at least one C₃-C₂₀ α -olefin and have essentially the same I_2 and M_w/M_n and wherein the respective critical shear rates of the substantially linear ethylene polymer and the linear ethylene polymer are measured at the same melt temperature using a gas extrusion rheometer,

(d) a single differential scanning calorimetry, DSC, melting peak between -30 and 140°C, and

109

- (e) a short chain branching distribution index (SCBDI) of greater than or equal to 50 percent

and is in intimate contact with the back surface of the primary backing material and has substantially penetrated and consolidated the fibers, and wherein the adhesive backing material or optional secondary backing material is comprised of an effective amount of at least one additive selected from the group consisting of a blowing agent and high heat content filler with the proviso that where the blowing agent is selected, the adhesive backing material or the optional secondary backing material is further characterized as having a substantially foamed, frothed or expanded non-collapsed matrix.

95. A method of making a carpet, the carpet comprising yarn attached to a primary backing material having a back side and an adhesive backing material, the adhesive backing material comprises at least one substantially linear ethylene polymers characterized as having

- (a) a melt flow ratio, $I_{10}/I_2 \geq 5.63$,

(b) a molecular weight distribution, M_w/M_n , as determined by gel permeation chromatography and defined by the equation:

$$(M_w/M_n) \leq (I_{10}/I_2) - 4.63,$$

(c) a gas extrusion rheology such that the critical shear rate at onset of surface melt fracture for the substantially linear ethylene polymer is at least 50 percent greater than the critical shear rate at the onset of surface melt fracture for a linear ethylene polymer, wherein the linear ethylene polymer has a homogeneously branched short chain branching distribution and no long chain branching, and wherein the substantially linear ethylene polymer and the linear ethylene polymer are simultaneously ethylene homopolymers or interpolymers of ethylene and at least one C3-

1/0

C20 α -olefin and have essentially the same I_2 and M_w/M_n and wherein the respective critical shear rates of the substantially linear ethylene polymer and the linear ethylene polymer are measured at the same melt temperature using a gas extrusion rheometer,

5

(d) a single differential scanning calorimetry, DSC, melting peak between -30 and 140°C, and

10

(e) a short chain branching distribution index (SCBDI) of greater than or equal to 50 percent,

and wherein the adhesive backing material is in intimate contact with the back surface of the primary backing material and has substantially penetrated and substantially consolidated the yarn, the method comprising the step of adding an effective amount of a high heat content filler to the adhesive backing material to enhance the penetration of the adhesive backing material into the yarn.

15

96. The method of Claim 95 wherein the inorganic filler is selected from the group consisting of calcium carbonate, barium sulfate, aluminum trihydrate, and talc, together with mixtures thereof.

20

97. The method of Claim 95 wherein the inorganic filler calcium carbonate.

25

98. The method of Claim 95 wherein the inorganic filler is present at between about 1 and about 75 weight percent based on the total weight of the at least one substantially linear ethylene polymer.

30

99. A method of making a carpet, the carpet having a foamed, frothed or expanded adhesive backing material and comprising yarn attached to a primary backing material having a face and back side, the adhesive backing material comprising at least one ethylene polymer and is in intimate contact with the back side

///

of the primary backing material and has substantially penetrated and substantially consolidated the yarn, the method comprising the step of adding an effective amount of at least one blowing agent to the adhesive backing material and thereafter activating the blowing agent to foam, froth or expand the adhesive backing material.

5

100. The method of Claim 99 wherein the at least one ethylene polymer is a substantially linear ethylene polymers characterized as having

(a) a melt flow ratio, $I_{10}/I_2 \geq 5.63$,

10

(b) a molecular weight distribution, M_w/M_n , as determined by gel permeation chromatography and defined by the equation

$$(M_w/M_n) \leq (I_{10}/I_2) - 4.63,$$

15

(c) a gas extrusion rheology such that the critical shear rate at onset of surface melt fracture for the substantially linear ethylene polymer is at least 50 percent greater than the critical shear rate at the onset of surface melt fracture for a linear ethylene polymer, wherein the linear ethylene polymer has a homogeneously branched short chain branching distribution and no long chain branching, and wherein the substantially linear ethylene polymer and the linear ethylene polymer are simultaneously ethylene homopolymers or interpolymers of ethylene and at least one C₃-C₂₀ α -olefin and have essentially the same I_2 and M_w/M_n and wherein the respective critical shear rates of the substantially linear ethylene polymer and the linear ethylene polymer are measured at the same melt temperature using a gas extrusion rheometer,

20

25

30

(d) a single differential scanning calorimetry, DSC, melting peak between -30 and 140°C, and

112

- (e) a short chain branching distribution index (SCBDI) of greater than or equal to 50 percent.

101. The method of Claim 100 wherein the substantially linear ethylene
5 polymer is an interpolymer of ethylene with at least one C₃-C₂₀ α -olefin.

102. The method of Claim 100 wherein the substantially linear ethylene
polymer is a copolymer of ethylene and 1-octene.

103. The method of Claim 101 wherein the at least one C₃-C₂₀ α -olefin is
10 selected from the group consisting of propylene, 1-butene, 1-isobutylene, 1-
pentene, 1-hexene, 4-methyl-1-pentene, 1-heptene and 1-octene.

104. The method of Claim 103 wherein the substantially linear ethylene
15 polymer has a density in the range about 0.86 g/cc to about 0.90 g/cc.

105. A method of making carpet comprising the steps of:
providing a primary backing material having a face and a back side;
tufting a yarn into the primary backing material to produce a carpet
20 pile on the face side of the primary backing material and loops
of the yarn on the back side of the primary backing material;
extruding a molten sheet of a thermoplastic material to the back side
of the primary backing, wherein the sheet of thermoplastic
material includes an effective amount of at least one blowing
25 agent; and
activating the at least one blowing agent to expand the thermoplastic
material.

106. The method of Claim 105 wherein the thermoplastic material is a
30 substantially linear ethylene polymers characterized as having

- (a) a melt flow ratio, $I_{10}/I_2 \geq 5.63$,

113

- (b) a molecular weight distribution, M_w/M_n , as determined by gel permeation chromatography and defined by the equation:

$$(M_w/M_n) \leq (I_{10}/I_2) - 4.63,$$

5

- (c) a gas extrusion rheology such that the critical shear rate at onset of surface melt fracture for the substantially linear ethylene polymer is at least 50 percent greater than the critical shear rate at the onset of surface melt fracture for a linear ethylene polymer, wherein the linear ethylene polymer has a homogeneously branched short chain branching distribution and no long chain branching, and wherein the substantially linear ethylene polymer and the linear ethylene polymer are simultaneously ethylene homopolymers or interpolymers of ethylene and at least one C₃-C₂₀ α -olefin and have essentially the same I_2 and M_w/M_n and wherein the respective critical shear rates of the substantially linear ethylene polymer and the linear ethylene polymer are measured at the same melt temperature using a gas extrusion rheometer,

10

15

20

- (d) a single differential scanning calorimetry, DSC, melting peak between -30 and 140°C, and

- (e) a short chain branching distribution index (SCBDI) of greater than or equal to 50 percent.

25

107. The method of Claim 106 wherein the substantially linear ethylene polymer has a density in the range about 0.86 g/cc to about 0.90 g/cc.

30

108. A carpet tile comprising:
a primary backing with a face side and a back side, said primary backing being made from a polyolefin;

114

polyolefin yarn tufted into the primary backing so as to produce a carpet pile on the face side of the primary backing and loops of yarn on the back side of the primary backing;

5 an adhesive layer of a polyolefin at least partially penetrating the primary backing, the loops of yarn on the back side of the primary backing or both.

109. The carpet tile of claim 108 further comprising a secondary backing fabric which is laminated to the adhesive layer.

10 110. The carpet tile of claim 109 wherein the secondary backing fabric is a non-woven material made from a polyolefin.

111. The carpet tile of claim 109 wherein the secondary backing fabric is a spun-bond polyolefin.

15

112. The carpet tile of claim 109 wherein the secondary backing fabric comprises fibers needle-punched therein.

113. The carpet tile of claim 109 further comprising a second adhesive
20 backing layer.

114. The carpet tile of claim 113 further comprising a layer of reinforcing material embedded between the adhesive backing layer and the second adhesive
backing layer.

25

115. The carpet tile of claim 114 wherein the reinforcing material is a non-woven polyolefin fabric.

116. The carpet tile of claim 114 wherein the reinforcing material is a
30 fiberglass scrim.

115

117. The carpet tile of claim 113 wherein the adhesive backing layer and the second adhesive backing layer both contain an inorganic filler.

5 118. The carpet tile of claim 117 wherein the second adhesive backing layer contains a higher level of inorganic filler than the adhesive backing layer.

10 119. The carpet tile of claim 118 wherein the second adhesive backing layer contains between about 30 and about 80 percent by weight inorganic filler and the adhesive backing layer contains between about 0 and about 60 percent by weight inorganic filler.

120. The carpet tile of claim 113 wherein the weight of the adhesive layer and the second adhesive layer combined is between about 20 and about 100 osy.

15 121. The carpet tile of claim 108 wherein the adhesive backing layer comprises an additive to increase the adhesiveness of the layer.

20 122. A carpet tile comprising:
a primary backing with a face side and a back side;
yarn tufted into the primary backing so as to produce a carpet pile on the face side of the primary backing and loops of yarn on the back side of the primary backing;
a first polymeric layer extruded onto the back side of the primary backing and the loops of yarn on the back side of the primary backing;
25 a reinforcing fabric adjacent the first polymeric adhesive layer; and
a second polymeric layer extruded onto the reinforcing fabric.

30 123. The carpet tile of claim 122 wherein the primary backing, the yarn, the first polymeric and second polymeric layer and the reinforcing fabric are all made from a polyolefin.

116

124. The carpet tile of claim 122 further comprising a secondary backing fabric which is laminated to the second polymeric layer.

125. The carpet tile of claim 124 wherein the secondary backing fabric is a non-woven material made from a polyolefin.

126. The carpet tile of claim 125 wherein the secondary backing fabric is a spun-bond polyolefin.

127. The carpet tile of claim 124 wherein the secondary backing fabric comprises fibers needle-punched therein.

128. The carpet tile of claim 122 wherein the reinforcing material is a non-woven polyolefin fabric.

129. The carpet tile of claim 122 wherein the reinforcing material is a fiberglass scrim.

130. The carpet tile of claim 122 wherein the first and second polymeric layer both contain an inorganic filler.

131. The carpet tile of claim 130 wherein the second polymeric layer contains a higher level of inorganic filler than the first polymeric layer.

132. The carpet tile of claim 131 wherein the second adhesive backing layer contains between about 30 and about 80 percent by weight inorganic filler and the adhesive backing layer contains between about 0 and about 60 percent by weight inorganic filler.

133. The carpet tile of claim 122 wherein the weight of the first and second polymeric combined is between about 20 and about 100 osy.

117

134. The carpet tile of claim 122 wherein the first polymeric layer comprises an additive to increase the adhesiveness of the layer.

5 135. A method of making a carpet tile comprising the steps
providing a primary backing with a face side and a back side, said primary backing being made from a polyolefin;

tufting a polyolefin yarn into the primary backing so as to produce a carpet pile on the face side of the primary backing and loops of yarn on the back side of the primary backing;

10 extruding an adhesive layer of a polyolefin onto the back side of the primary backing so as to at least partially penetrate the primary backing, the loops of yarn on the back side of the primary backing or both to make a carpet; and
cutting the carpet into tiles.

15 136. The method of claim 135 further comprising the step of laminating a secondary backing fabric to the adhesive layer.

20 137. The method of claim 136 wherein the secondary backing fabric is a non-woven material made from a polyolefin

138. The method of claim 137 wherein the secondary backing fabric is a spun-bond polyolefin.

25 139. The method of claim 135 wherein the secondary backing fabric comprises fibers needle-punched therein.

140. The method of claim 135 further comprising the step of extruding a second adhesive backing layer.

30 141. The method of claim 140 further comprising the step of embedding a layer of reinforcing material between the adhesive backing layer and the second adhesive backing layer.

118

142. The method of claim 141 wherein the reinforcing material is a non-woven polyolefin fabric.

5 143. The method of claim 141 wherein the reinforcing material is a fiberglass scrim.

144. The method of claim 140 wherein the adhesive backing layer and the second adhesive backing layer both contain an inorganic filler.

10

145. The method of claim 144 wherein the second adhesive backing layer contains a higher level of inorganic filler than the adhesive backing layer.

146. The method of claim 145 wherein the second adhesive backing layer contains between about 30 and about 80 percent by weight inorganic filler and the adhesive backing layer contains between about 0 and about 60 percent by weight inorganic filler.

15

147. The method of claim 140 wherein the weight of the adhesive layer and the second adhesive layer combined is between about 20 and about 100 gsy.

20

148. The method of claim 135 wherein the adhesive backing layer comprises an additive to increase the adhesiveness of the layer.

25

149. A method of making carpet tile comprising:
providing a primary backing with a face side and a back side;
tufting yarn into the primary backing so as to produce a carpet pile on the face side of the primary backing and loops of yarn on the back side of the primary backing;

30

extruding a first polymeric layer onto the back side of the primary backing and the loops of yarn on the back side of the primary backing;

119

placing a reinforcing fabric adjacent the first polymeric adhesive layer; and

extruding a second polymeric layer onto the reinforcing fabric.

5 150. The method of claim 149 wherein the primary backing, the yarn, the first polymeric and second polymeric layer and the reinforcing fabric are all made from a polyolefin.

10 151. The method of claim 149 further comprising laminating a secondary backing fabric to the second polymeric layer.

152. The method of claim 151 wherein the secondary backing fabric is a non-woven material made from a polyolefin.

15 153. The method of claim 152 wherein the secondary backing fabric is a spun-bond polyolefin.

154. The method of claim 151 wherein the secondary backing fabric comprises fibers needle-punched therein.

20

155. The method of claim 149 wherein the reinforcing material is a non-woven polyolefin fabric.

25

156. The method of claim 149 wherein the reinforcing material is a fiberglass scrim.

157. The method of claim 149 wherein the first and second polymeric layer both contain an inorganic filler.

30

158. The method of claim 157 wherein the second polymeric layer contains a higher level of inorganic filler than the first polymeric layer.

120

159. The method of claim 158 wherein the second adhesive backing layer contains between about 30 and about 80 percent by weight inorganic filler and the adhesive backing layer contains between about 0 and about 60 percent by weight inorganic filler.

5

160. The method of claim 149 wherein the weight of the first and second polymeric combined is between about 20 and about 100 osy.

161. The method of claim 149 wherein the first polymeric layer comprises
10 an additive to increase the adhesiveness of the layer.

FIG. 1

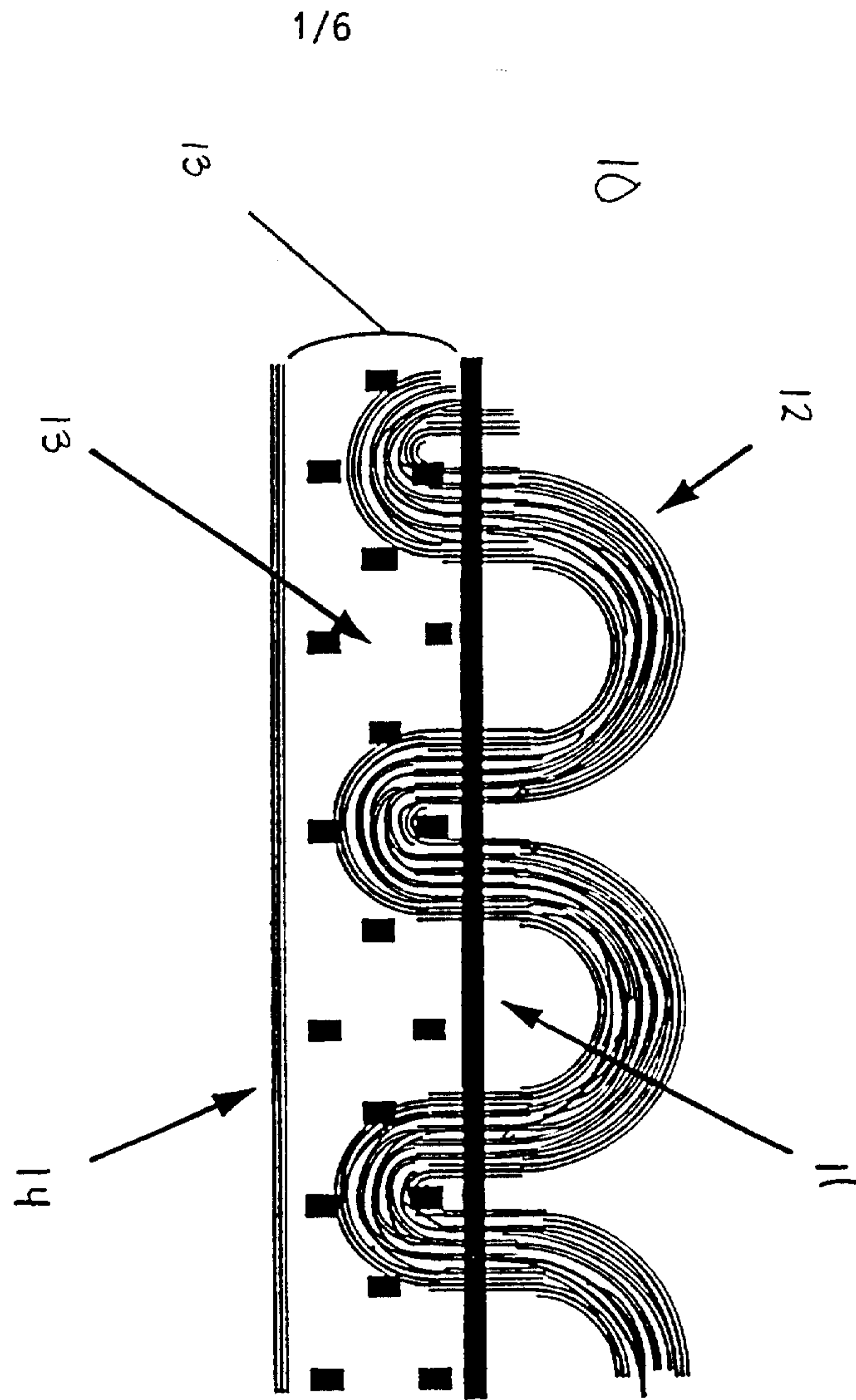


FIG. 2

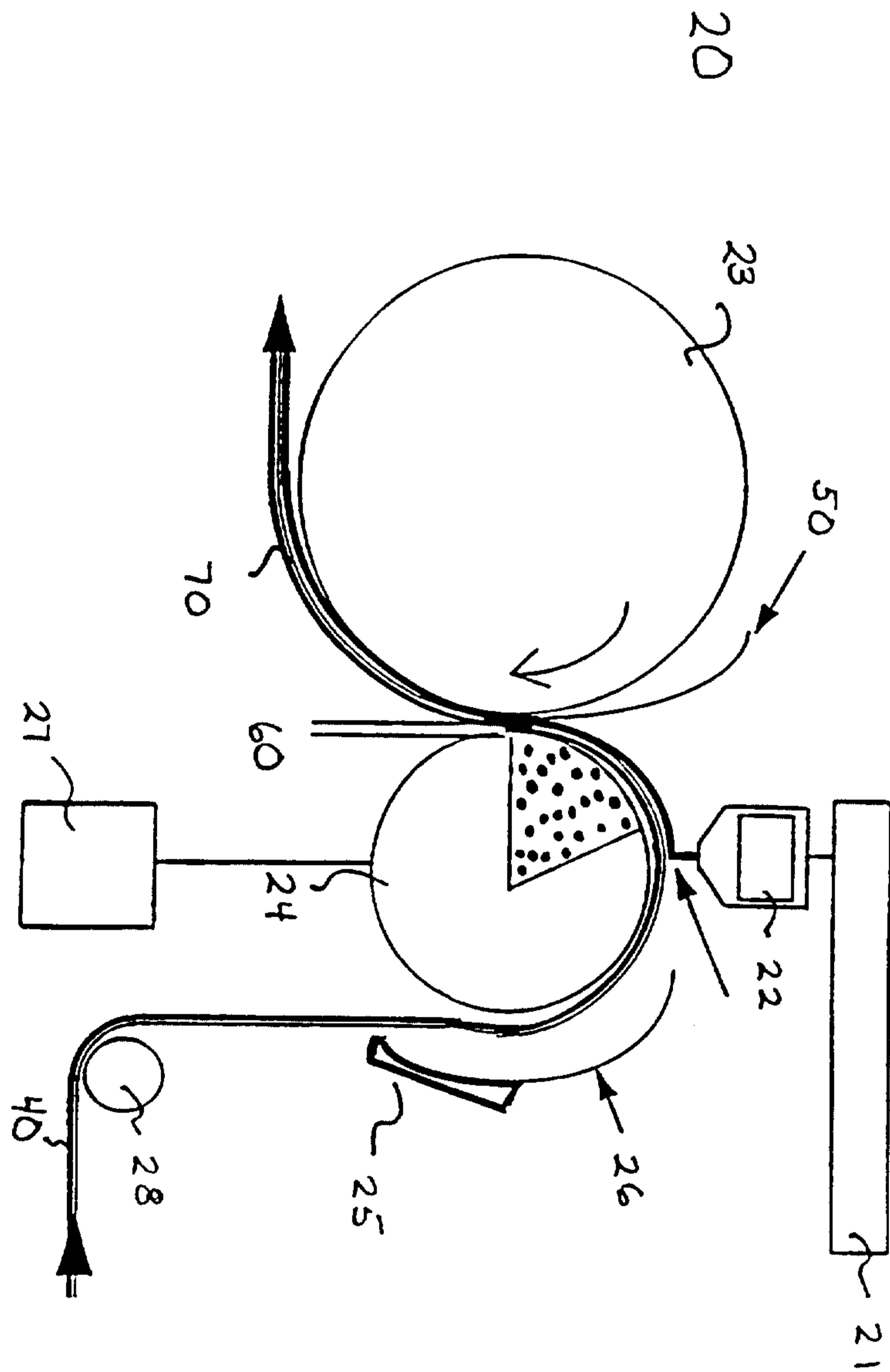


FIG. 3

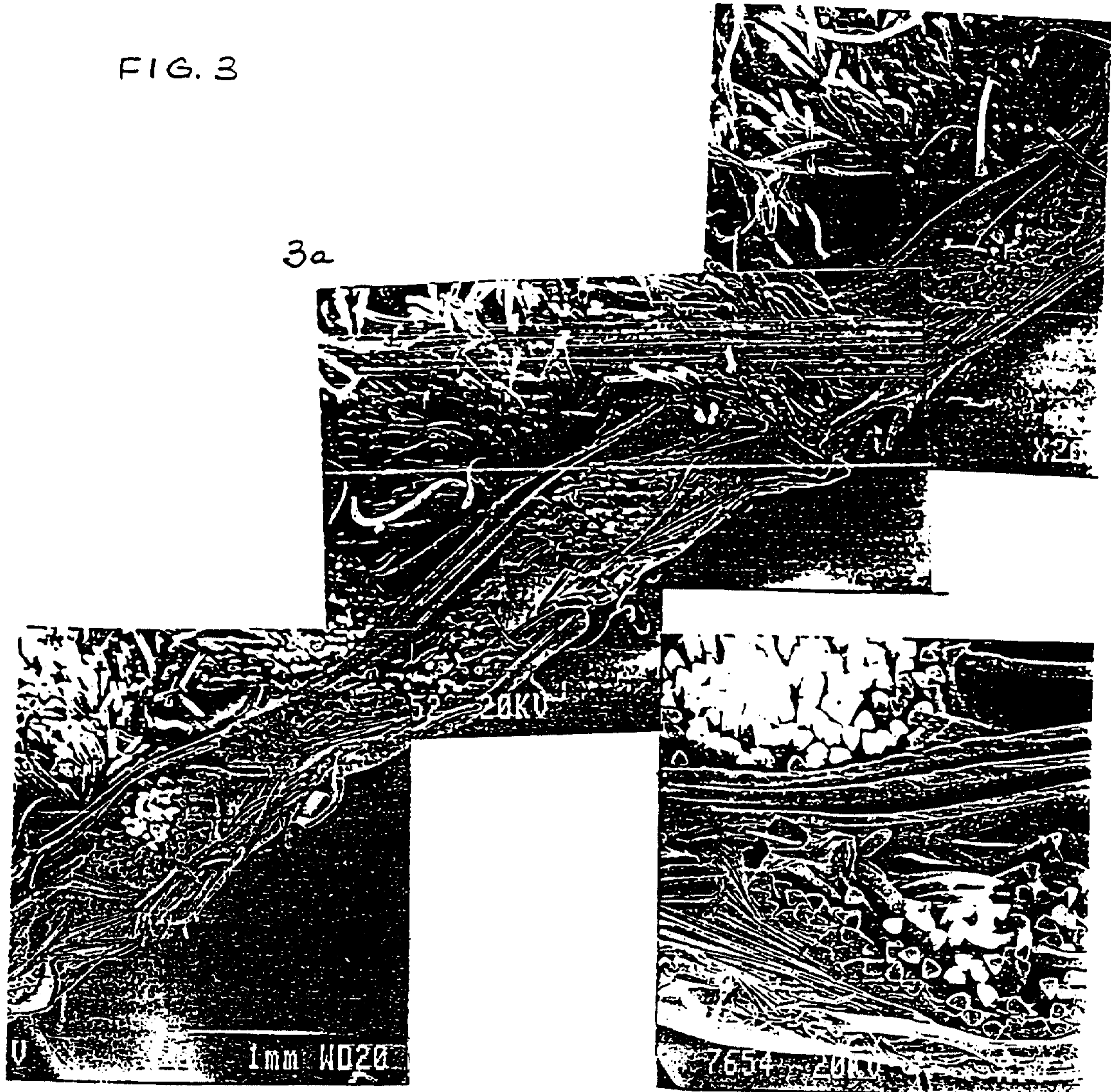


FIG. 4

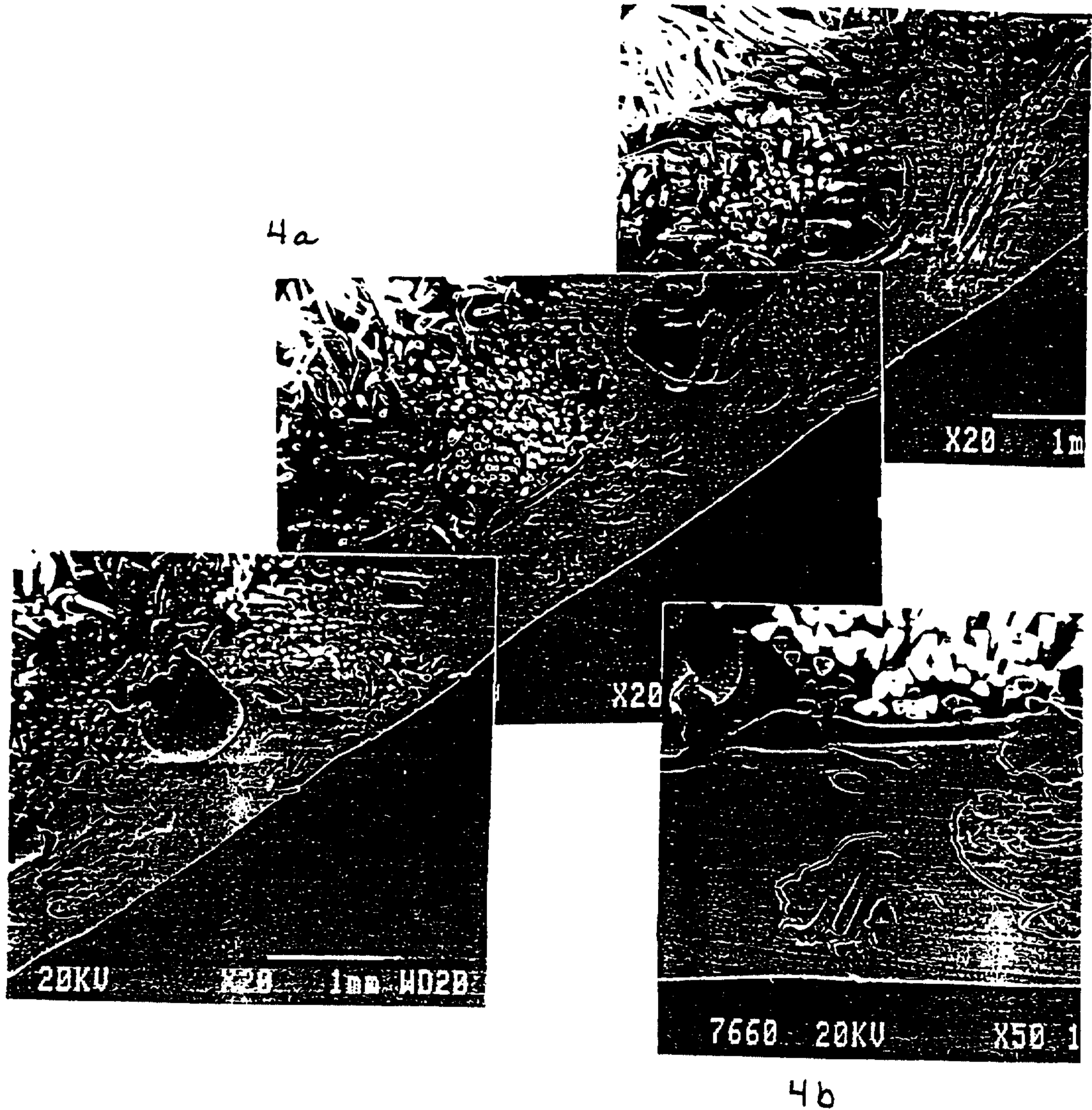
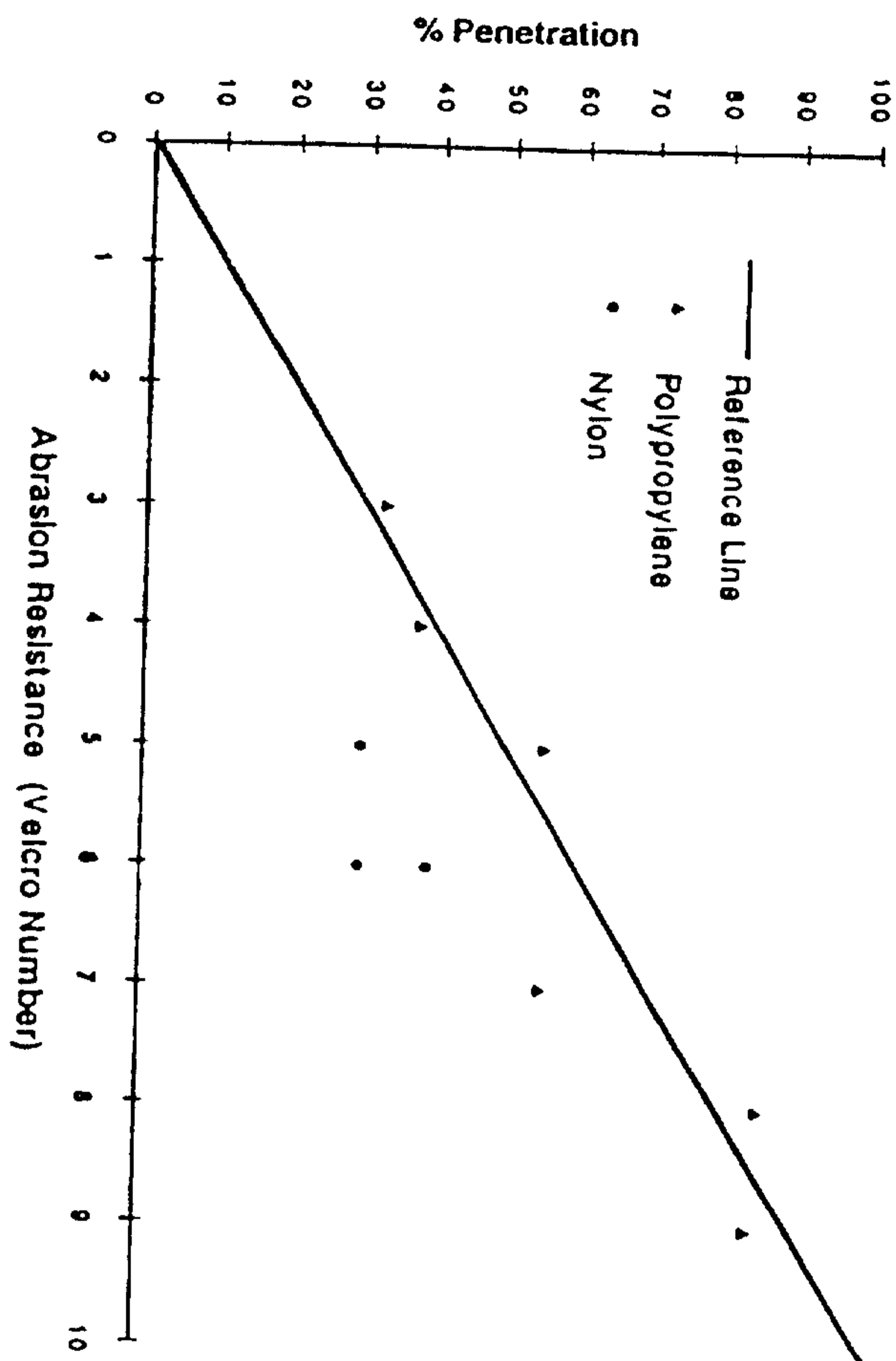


FIG. 5



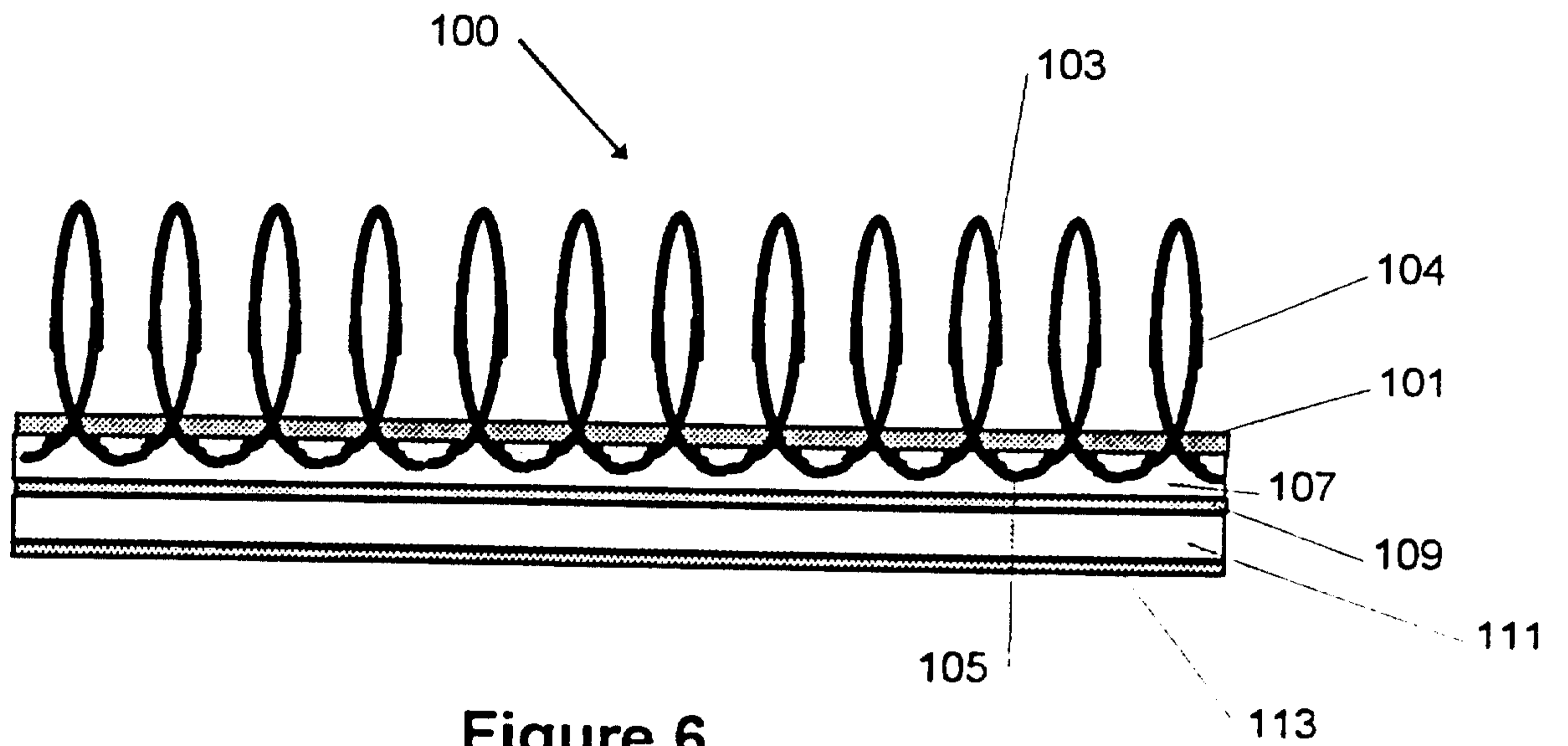


Figure 6

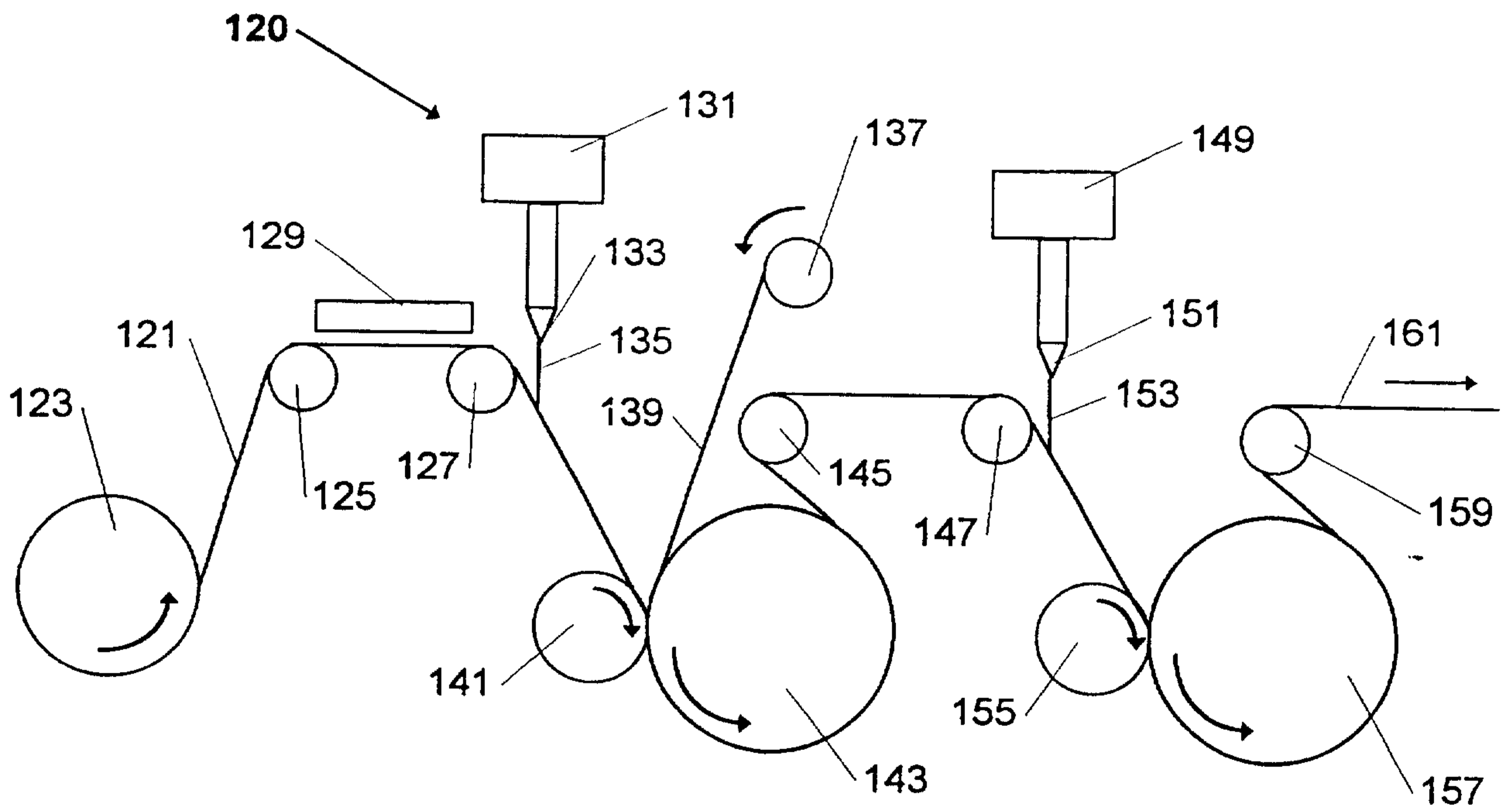


Figure 7