

192,920

## COMPUTER CONSOLE

Bradley A. Beals, Bloomington, Minn.  
(Univac Park, St. Paul 16, Minn.)

Filed June 5, 1961, Ser. No. 65,453

Term of patent 14 years

(Cl. D26—5)

FIG. 1

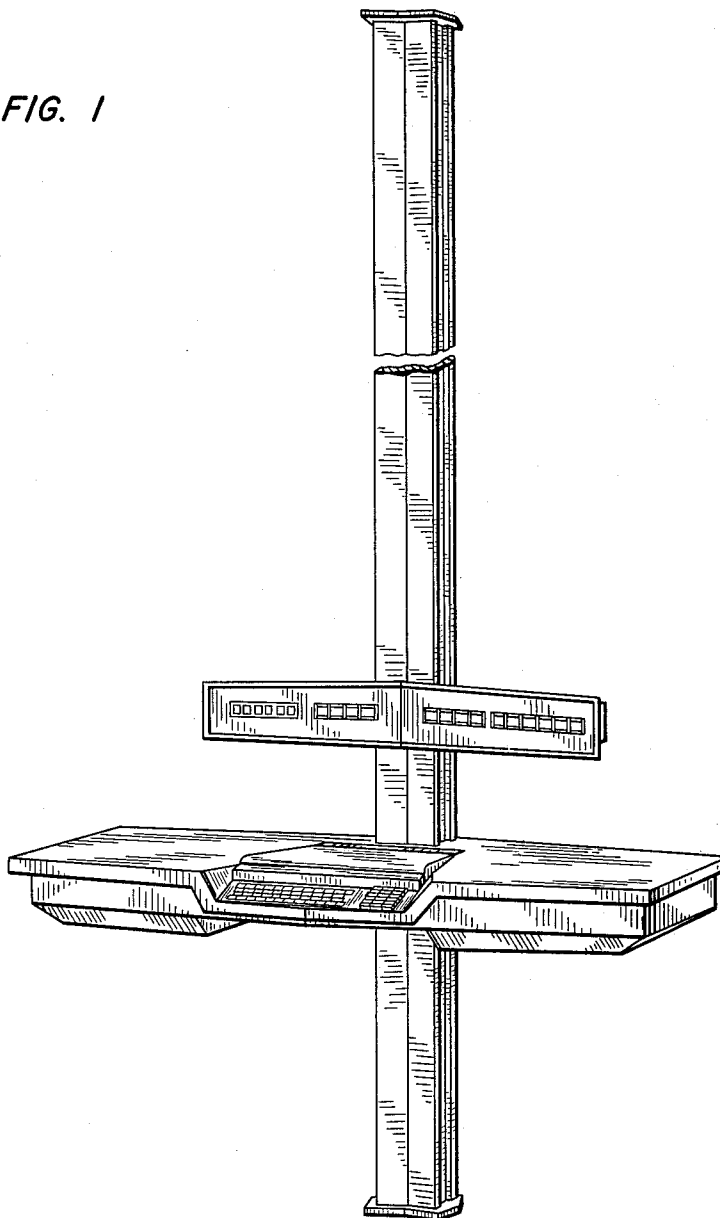


FIG. 2

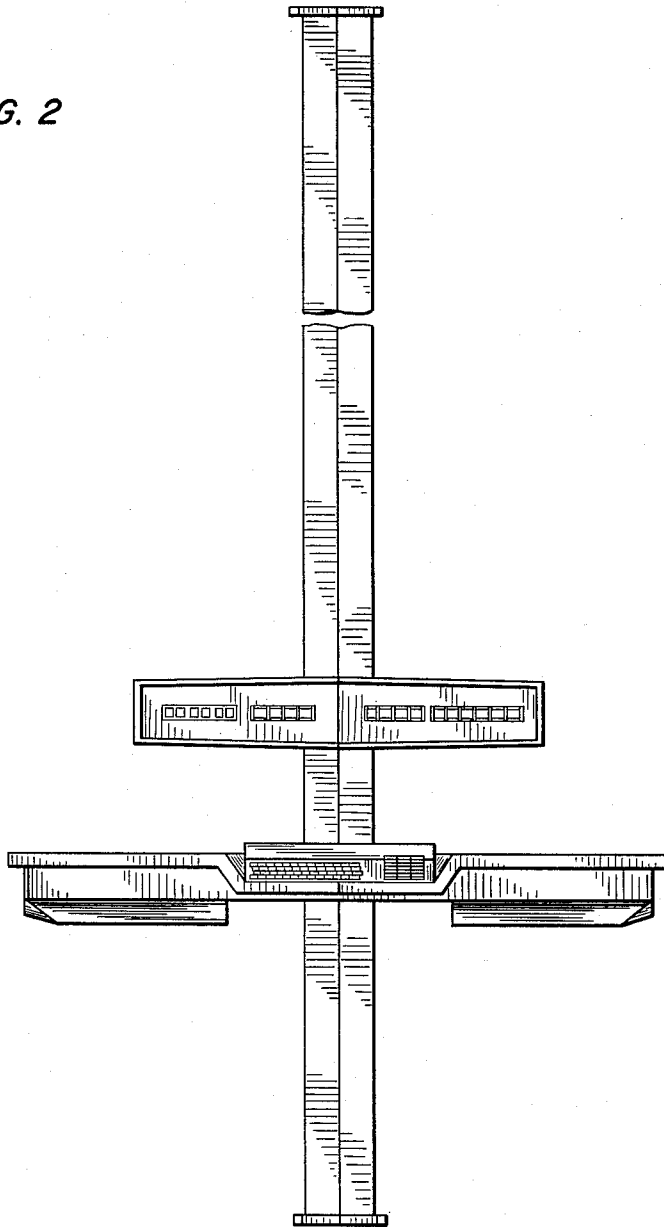


FIG. 3

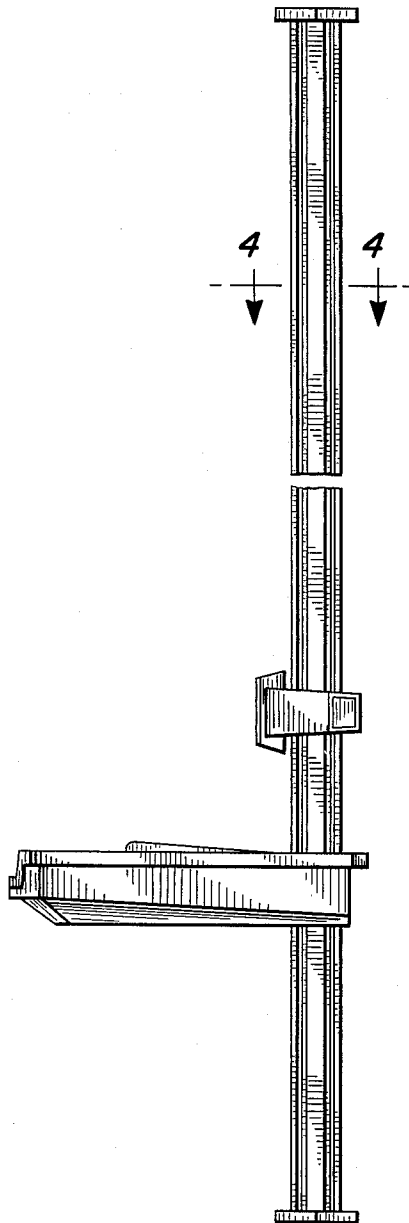


FIG. 4

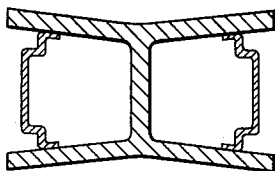


FIG. 5

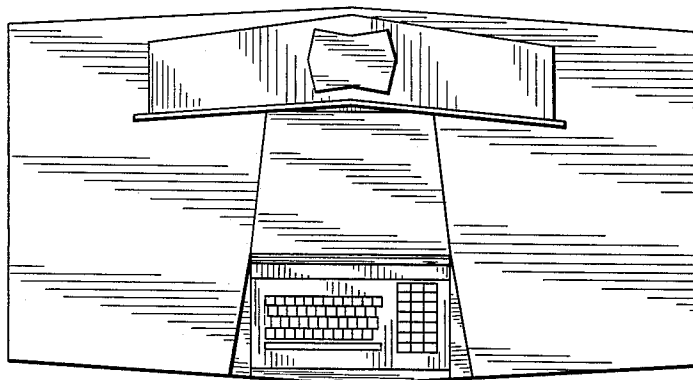


FIG. 1 is a perspective view of a computer console, showing my new design;

FIG. 2 is a front elevational view;

FIG. 3 is a side elevational view, the opposite side being substantially a mirror image thereof;

FIG. 4 is a cross-sectional view of the support member taken along the line 4—4 in FIG. 3; and

FIG. 5 is a top plan view thereof.

A portion of the upright support is broken away for convenience in illustration to disclose the preferred extent of the supporting structure which in the illustrated embodiment extends from the floor to the ceiling.

I claim:

The ornamental design for a computer console, substantially as shown and described.

**References Cited** in the file of this patent

Remington Rand leaflet, TM930 Rev. 1, received prior to Feb. 15, 1957, page numbered 3a, Tape-to-card machine.

"Digital Printer Boosts" by H. W. Gettings, Radiation, Inc., Melbourne, Florida, reprint from June 1, 1957, Electronics magazine, page numbered 2, complete assembly of high speed digital printer in right illustration.