



US00D392808S

United States Patent [19]

[11] Patent Number: Des. 392,808

Newick

[45] Date of Patent: **Mar. 31, 1998

[54] **BATHING AID FOR THE ELDERLY/
DISABLED**

Attorney, Agent, or Firm—Kinney & Lange, P.A.

[75] Inventor: Ben Newick, Surrey, United Kingdom

[57] **CLAIM**

[73] Assignee: Coopers Healthcare PLC, Godalming, United Kingdom

The ornamental design for a bathing aid for the elderly/ disabled, as shown and described.

[**] Term: 14 Years

DESCRIPTION

[21] Appl. No.: 64,035

FIG. 1 is a front view of the bathing aid with the seat in a partially raised position and side flaps down;

[22] Filed: Dec. 20, 1996

FIG. 2 is a left side view of the bathing aid with the seat in a partially raised position and side flaps down, the right side is a mirror image of the left side;

[30] **Foreign Application Priority Data**

Jun. 26, 1996 [GB] United Kingdom 2057269

FIG. 3 is a rear view of the bathing aid with the seat in a partially raised position and side flaps down;

[51] LOC (6) Cl. 06-01

FIG. 4 is a plan view of the bathing aid with the seat in a partially raised position and side flaps down;

[52] U.S. Cl. D6/367

FIG. 5 is an underneath view of the bathing aid with the seat in a partially raised position and side flaps down;

[58] Field of Search D6/334, 335, 336,
D6/367, 368, 374, 380, 500, 501, 502;
4/562.1, 564.1, 565.1

FIG. 6 is a left-front perspective view of the bathing aid with the seat in a partially raised position and side flaps hinged up;

[56] **References Cited**

U.S. PATENT DOCUMENTS

D. 337,443	7/1993	Richards	D6/367
3,286,970	11/1966	Nolan	4/564.1 X
4,569,091	2/1986	Brandenberger	4/562.1
5,103,509	4/1992	Richards	4/564.1

FIG. 7 is a front view of the bathing aid with the seat and flaps hinged up in in a partially raised position;

FIG. 8 is a front view of the bathing aid with the seat, flaps and base hinged up in a partially raised position;

OTHER PUBLICATIONS

House Beautiful, Nov. 1985, p. 156, Bath Seat at top right, Nov. 1985.

FIG. 9 is a right-front perspective view of the bathing aid with the seat in a partially raised position and side flaps removed for illustrative purposes; and,

FIG. 10 is a frontal perspective view of the bathing aid with the seat in a lowered position and side flaps down.

Primary Examiner—Gary D. Watson

1 Claim, 9 Drawing Sheets

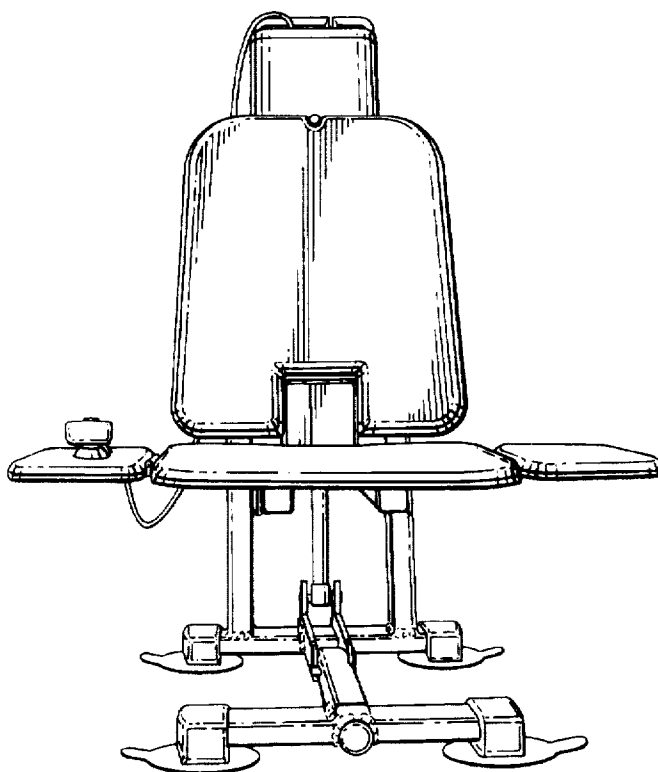


FIG. 1

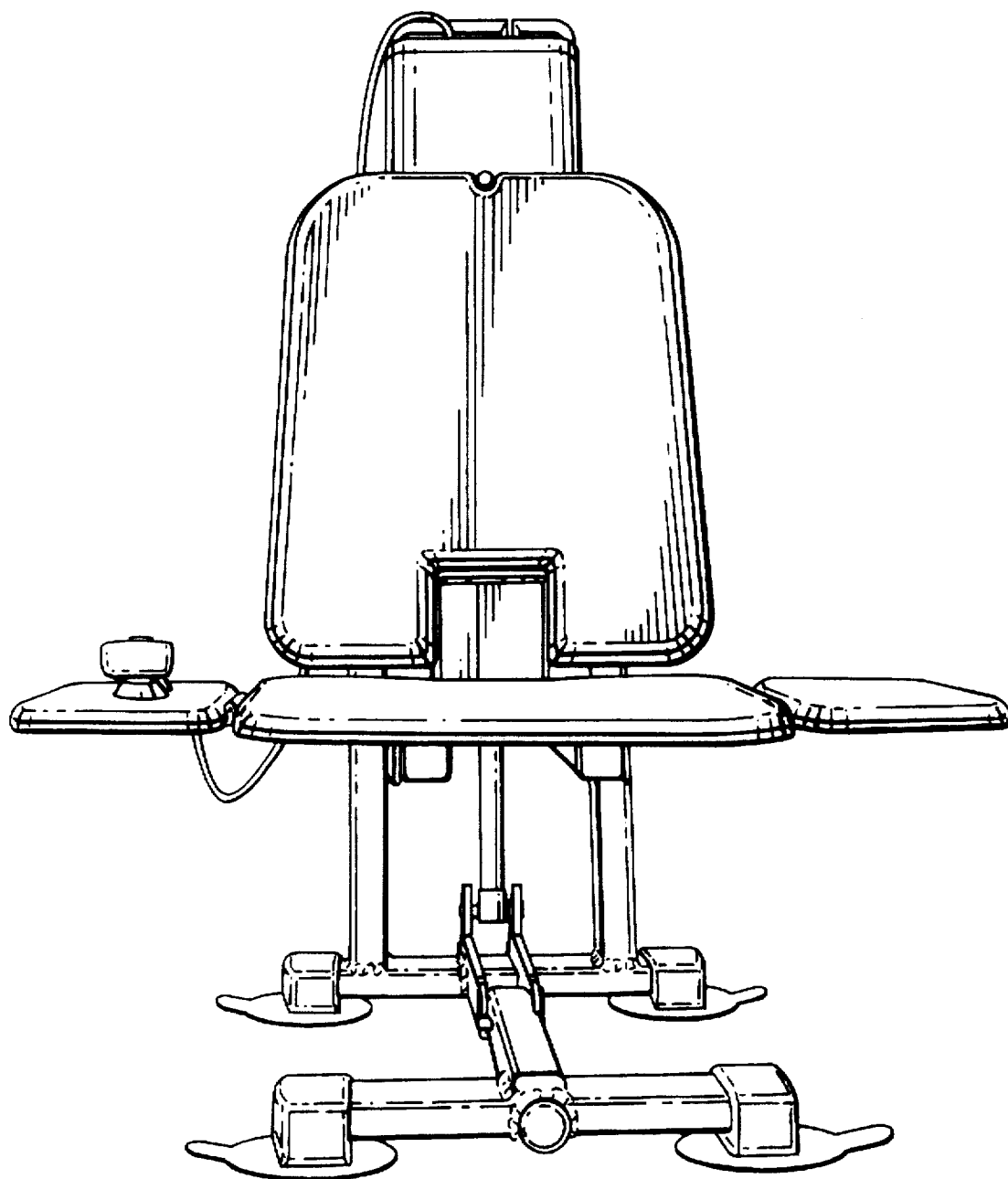


FIG .2

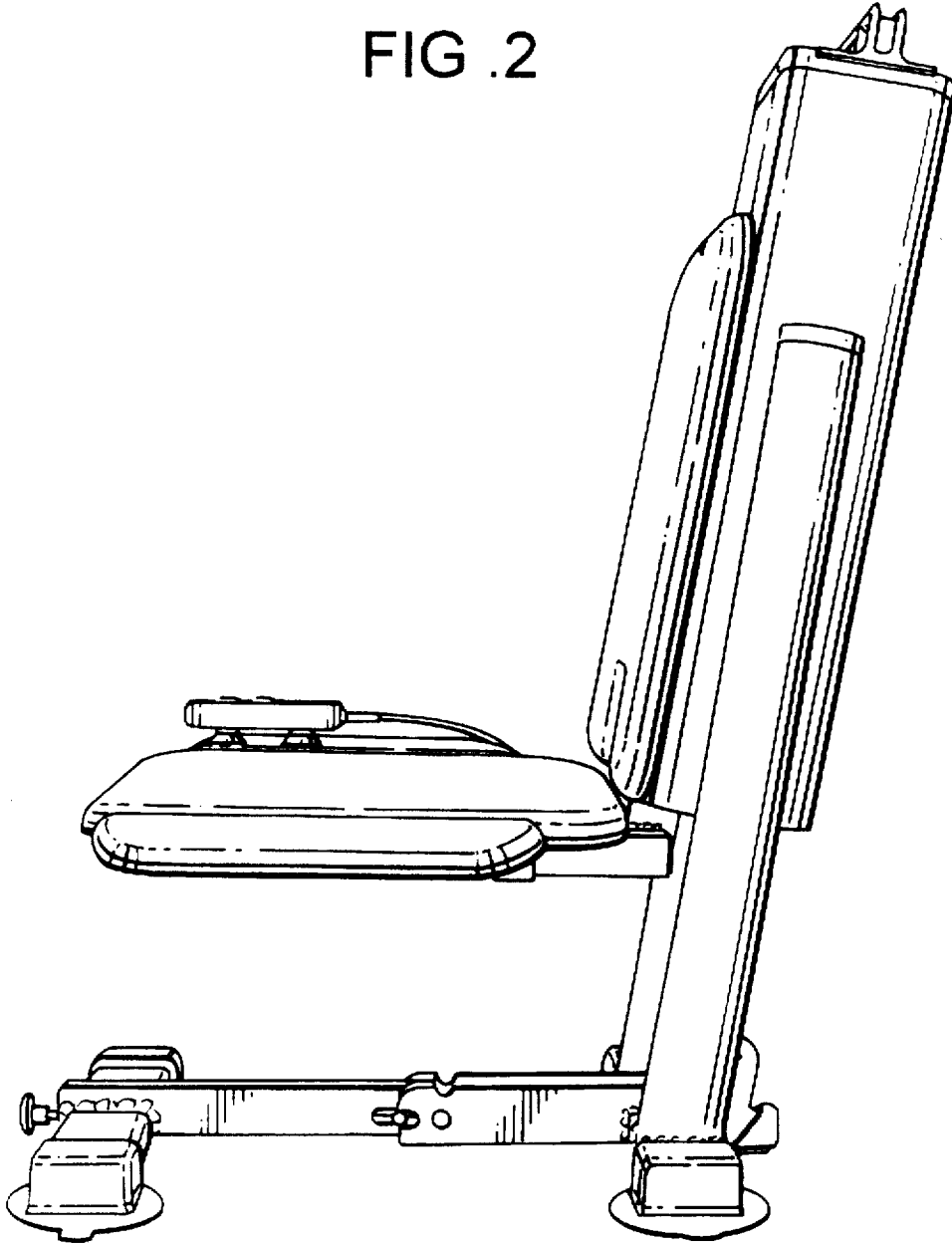


FIG .3

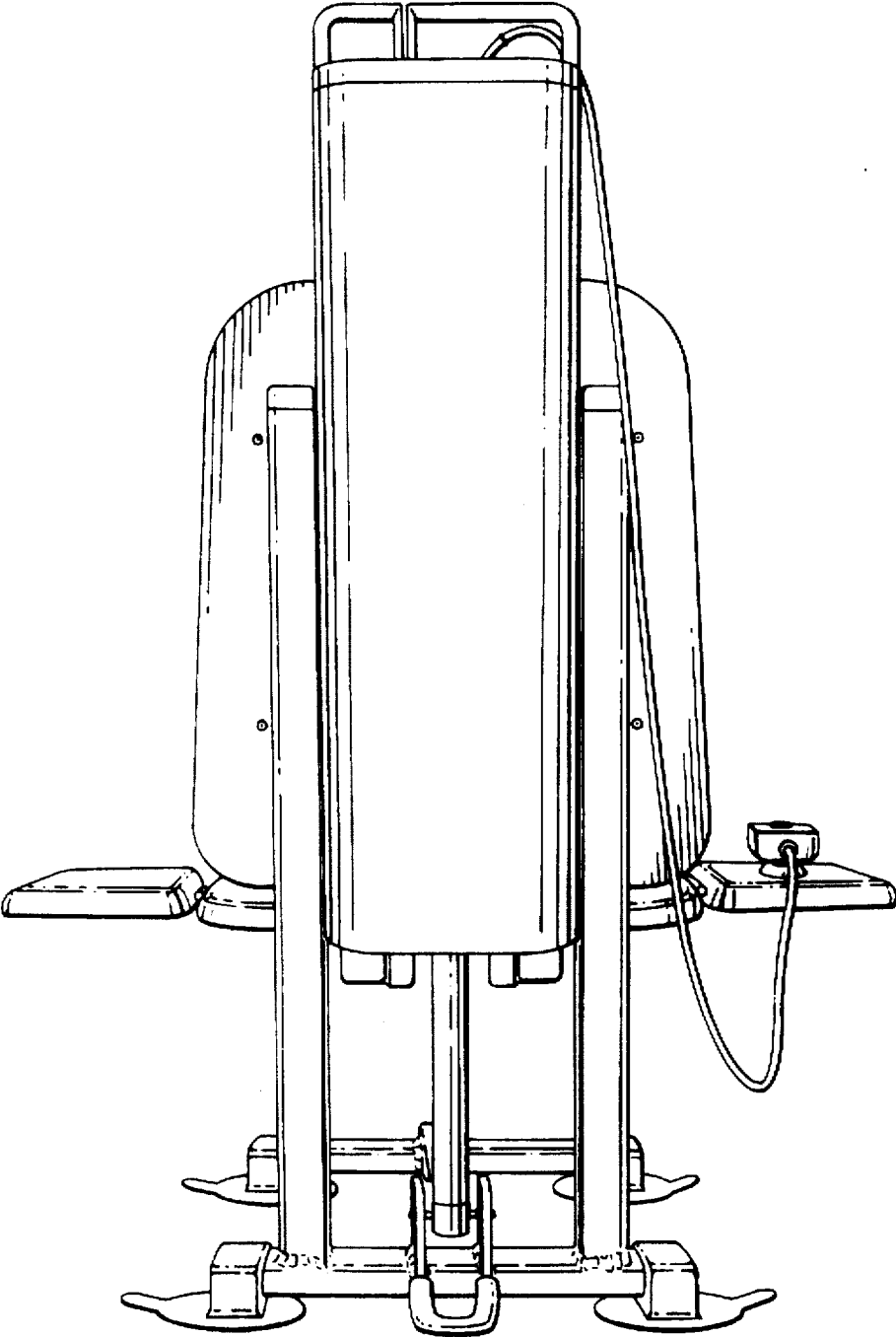


FIG .4

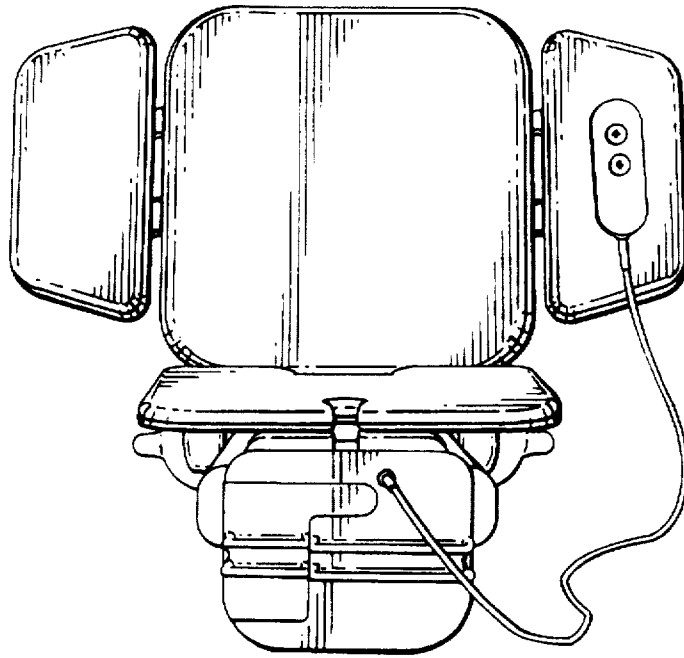


FIG .5

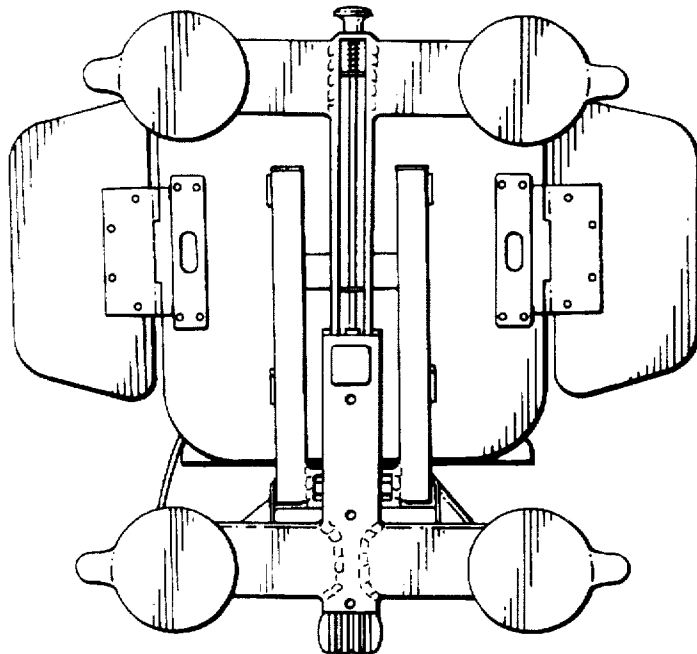


FIG. 6

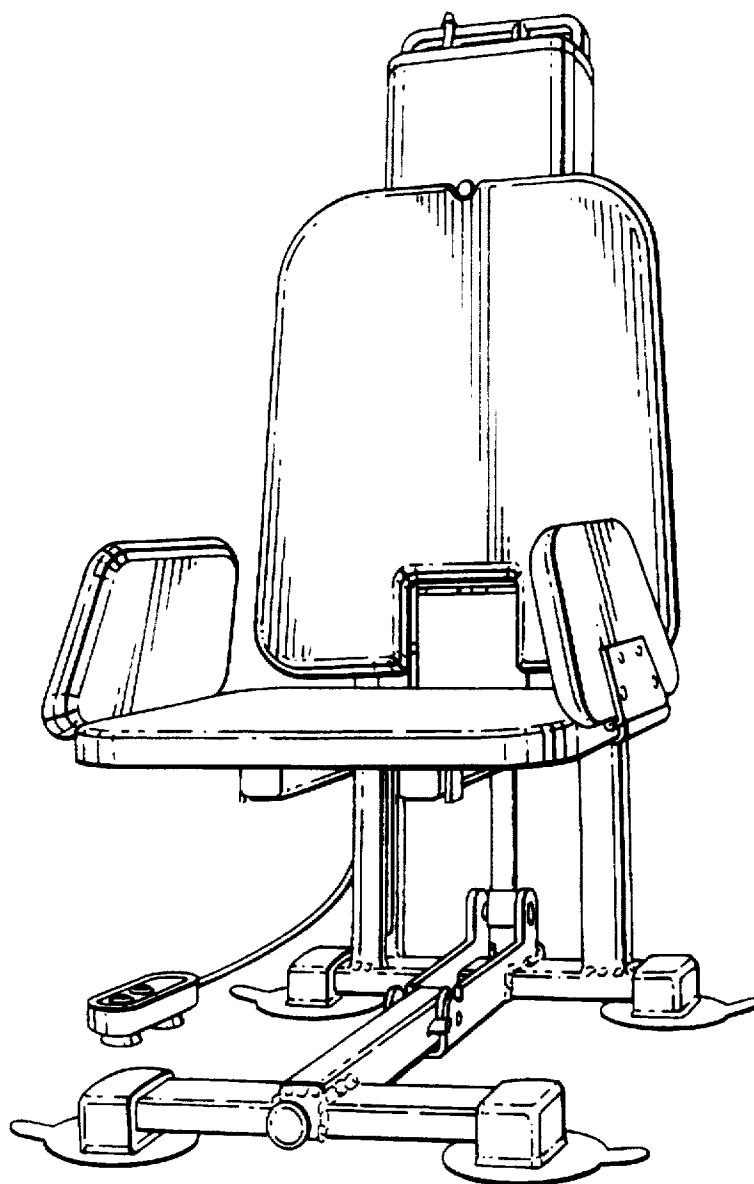


FIG .7

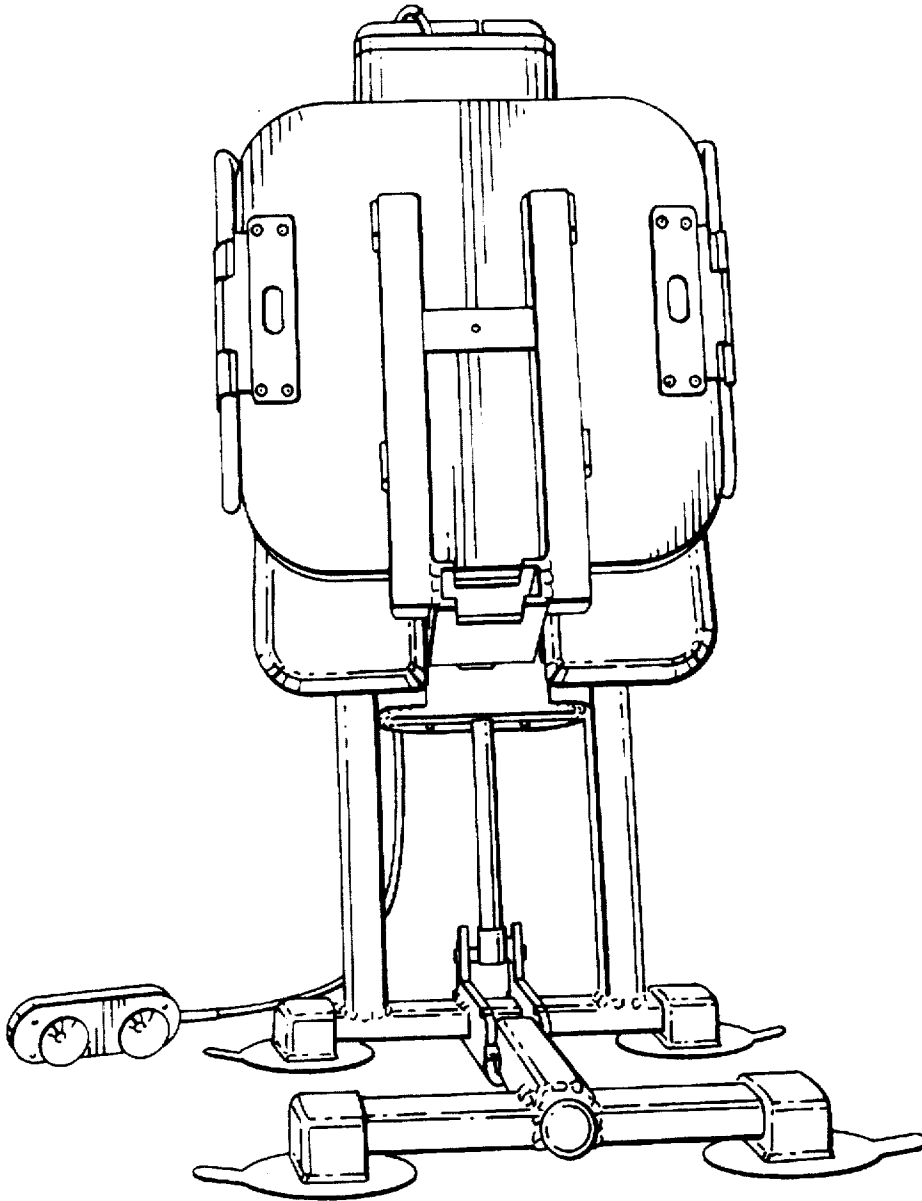


FIG .8

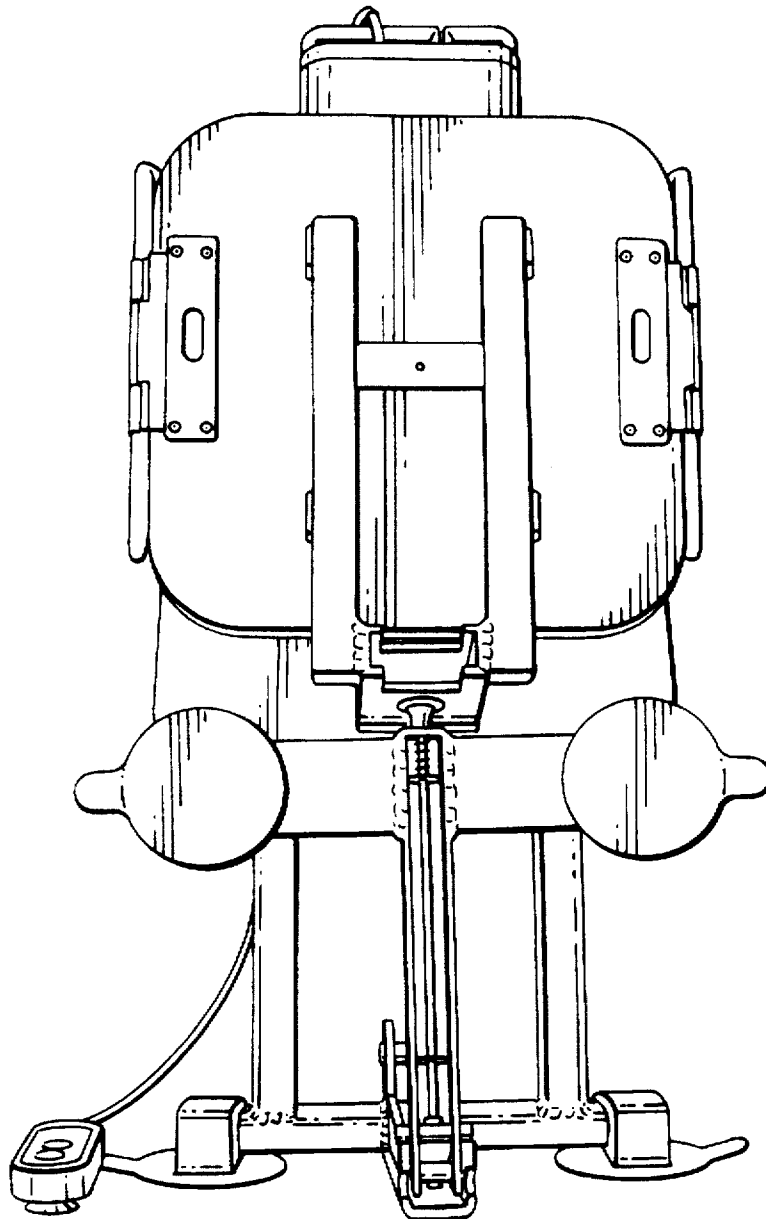


FIG .9

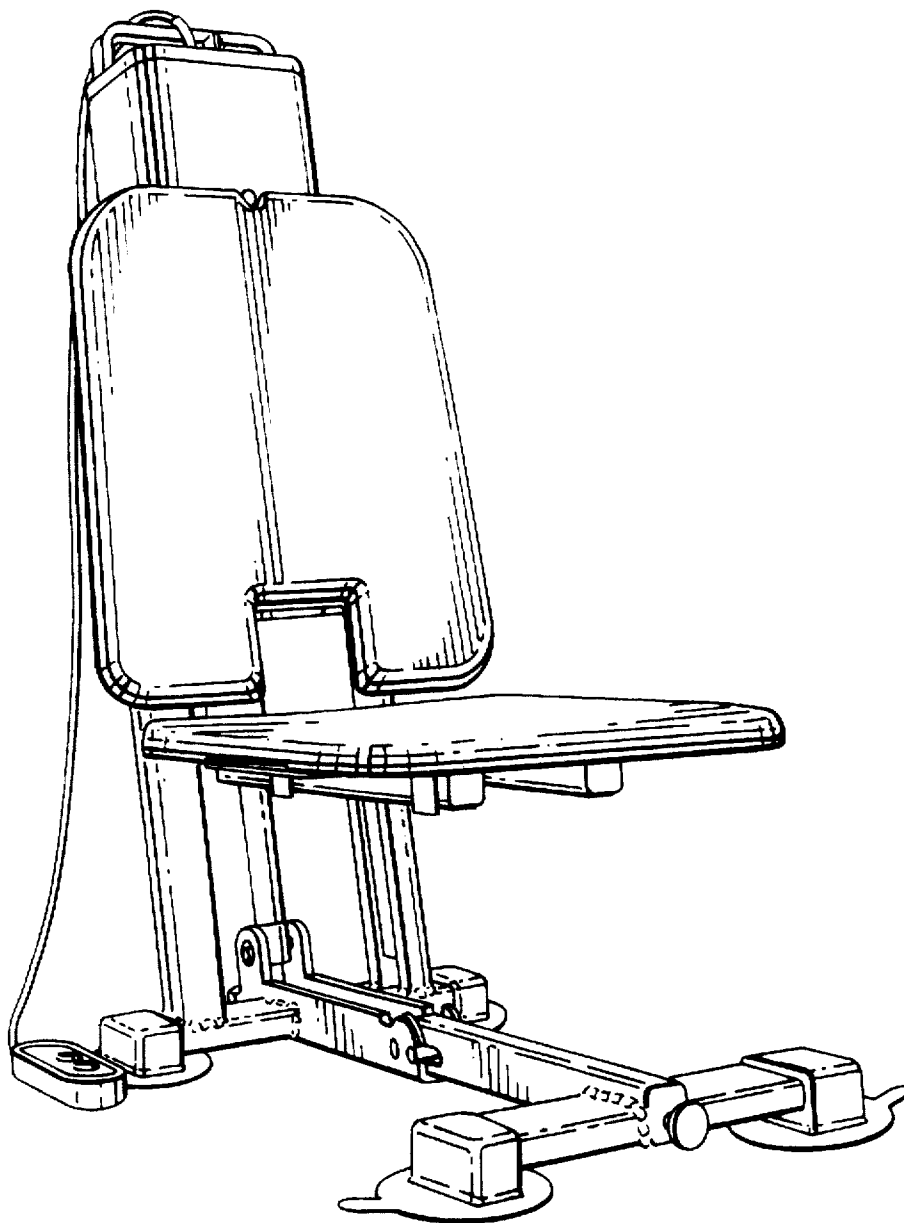


FIG .10

