



US00D765853S

(12) **United States Design Patent** (10) **Patent No.:** **US D765,853 S**
Blain et al. (45) **Date of Patent:** **** Sep. 6, 2016**

(54) **FLEXIBLE ELONGATE MEMBER WITH A PORTION CONFIGURED TO RECEIVE A BONE ANCHOR**

FOREIGN PATENT DOCUMENTS

CA 2 437 575 4/2009
DE 93 04 368 5/1993

(71) Applicant: **Spinal Elements, Inc.**, Carlsbad, CA (US)

(Continued)

(72) Inventors: **Jason Blain**, Encinitas, CA (US); **Greg Martin**, Encinitas, CA (US)

OTHER PUBLICATIONS

Notice of Acceptance in Australian Application No. AU2013237744, dated Apr. 23, 2015.

(73) Assignee: **Spinal Elements, Inc.**, Carlsbad, CA (US)

(Continued)

(**) Term: **15 Years**

Primary Examiner — Charles Hanson

(21) Appl. No.: **29/537,074**

(74) *Attorney, Agent, or Firm* — Knobbe, Martens, Olson & Bear, LLP

(22) Filed: **Aug. 21, 2015**

(57) **CLAIM**

The ornamental design for a flexible elongate member with a portion configured to receive a bone anchor, as shown and described.

Related U.S. Application Data

DESCRIPTION

(62) Division of application No. 29/448,946, filed on Mar. 14, 2013, now abandoned.

This application which is related to U.S. patent application Ser. No. 13/804,407 entitled "Apparatus for Spinal Fixation and Methods of Use," filed on Mar. 14, 2013, the disclosures of each are incorporated herein by reference in their entireties.

(51) **LOC (10) Cl.** **24-02**

(52) **U.S. Cl.**
USPC **D24/155**

(58) **Field of Classification Search**
USPC D24/155, 156
CPC A61B 17/7022; A61B 17/7029; A61B 17/7031; A61B 17/70; A61B 17/7007; A61B 17/7011; A61B 17/7062; A61B 17/7053; A61B 17/82; H02G 3/30; H02G 3/32; Y10T 16/00; Y10T 24/14; Y10T 24/1404; Y10T 24/1406; B65D 63/00; B65D 36/10

FIG. 1 is a perspective view of a flexible elongate member with a portion configured to receive a bone anchor, showing our new design;
FIG. 2 is a top view thereof;
FIG. 3 is a bottom view thereof;
FIG. 4 is a side view thereof, the opposite side view being a mirror image;
FIG. 5 is a rear view thereof;
FIG. 6 is a front view thereof; and,
FIG. 7 is a cross-section view taken along line 7-7 in FIG. 2.

See application file for complete search history.

The dot-dash-dot lines form the bounds of the claimed design and are not part of the claimed design. The diagonal lines in the cross-section do not form part of the claimed design.

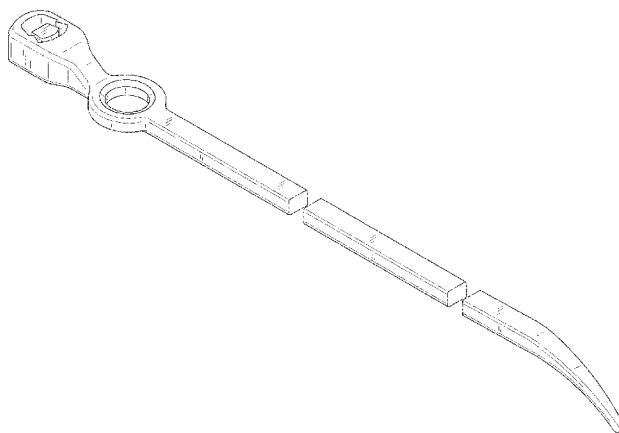
(56) **References Cited**

U.S. PATENT DOCUMENTS

86,016 A 1/1869 Howell
1,822,280 A 9/1931 Ervay

(Continued)

1 Claim, 4 Drawing Sheets



(56)

References Cited

U.S. PATENT DOCUMENTS

1,822,330 A	9/1931	Anslie		5,445,639 A	8/1995	Kuslich et al.	
2,486,303 A	10/1949	Longfellow		5,458,642 A	10/1995	Beer et al.	
3,111,945 A	11/1963	Von Solbrig		5,458,643 A	10/1995	Oka et al.	
3,867,728 A	2/1975	Stubstad et al.		5,462,542 A	10/1995	Alesi, Jr.	
3,875,595 A	4/1975	Froning		5,487,756 A	1/1996	Kallesoe et al.	
3,879,767 A	4/1975	Stubstad		5,491,882 A	2/1996	Walston et al.	
4,001,896 A	1/1977	Arkangel		5,496,318 A	3/1996	Howland et al.	
4,037,603 A	7/1977	Wendorff		5,507,823 A	4/1996	Walston et al.	
4,085,466 A	4/1978	Goodfellow et al.		5,514,180 A	5/1996	Heggeness et al.	
4,119,091 A	10/1978	Partridge		5,527,312 A	6/1996	Ray	
4,156,296 A	5/1979	Johnson et al.		5,527,314 A	6/1996	Brumfield et al.	
4,231,121 A	11/1980	Lewis		5,534,028 A	7/1996	Bao et al.	
D261,935 S	11/1981	Halloran		5,534,030 A	7/1996	Navarro et al.	
4,312,337 A	1/1982	Donohue		5,540,706 A	7/1996	Aust et al.	
4,349,921 A	9/1982	Kuntz		5,545,229 A	8/1996	Parsons et al.	
4,502,161 A	3/1985	Wall		5,549,619 A	8/1996	Peters et al.	
D279,502 S *	7/1985	Halloran	D24/155	5,556,431 A	9/1996	Buttner-Janzen	
D279,503 S *	7/1985	Halloran	D24/155	5,562,738 A	10/1996	Boyd et al.	
4,535,764 A	8/1985	Ebert		5,571,131 A	11/1996	Ek et al.	
4,573,458 A *	3/1986	Lower	A61B 17/8085 606/280	5,571,189 A	11/1996	Kuslich	
				5,571,191 A	11/1996	Fitz	
				5,577,995 A	11/1996	Walker et al.	
4,634,445 A	1/1987	Helal		5,586,989 A	12/1996	Bray, Jr.	
4,662,371 A	5/1987	Whipple et al.		5,591,165 A	1/1997	Jackson	
4,706,659 A	11/1987	Matthews et al.		5,603,713 A	2/1997	Aust et al.	
4,714,469 A	12/1987	Kenna		5,638,700 A	6/1997	Shechter	
4,722,331 A	2/1988	Fox		5,645,597 A	7/1997	Krapiva	
4,730,615 A	3/1988	Sutherland et al.		5,645,599 A	7/1997	Samani	
4,759,766 A	7/1988	Buettner-Janzen et al.		5,649,947 A	7/1997	Auerbach et al.	
4,759,769 A	7/1988	Hedman et al.		5,653,762 A	8/1997	Pisharodi	
4,772,287 A	9/1988	Ray et al.		5,674,295 A	10/1997	Ray et al.	
4,773,402 A	9/1988	Asher et al.		5,674,296 A	10/1997	Bryan et al.	
4,834,757 A	5/1989	Brantigan		5,676,701 A	10/1997	Yuan et al.	
4,863,477 A	9/1989	Monson		5,683,464 A	11/1997	Wagner et al.	
4,904,260 A	2/1990	Ray et al.		5,683,466 A	11/1997	Vitale	
4,907,577 A	3/1990	Wu		5,700,265 A	12/1997	Romano	
4,911,718 A	3/1990	Lee et al.		5,702,450 A	12/1997	Bisserie	
4,919,667 A	4/1990	Richmond		5,707,373 A	1/1998	Sevrain et al.	
4,923,471 A *	5/1990	Morgan	A61B 17/8085 606/285	5,716,415 A	2/1998	Steffee	
				5,725,582 A	3/1998	Bevan et al.	
4,936,848 A	6/1990	Bagby		5,741,260 A	4/1998	Songer et al.	
4,941,466 A	7/1990	Romano		5,741,261 A	4/1998	Moskovitz et al.	
4,959,065 A *	9/1990	Arnett	A61B 17/8085 606/285	D395,138 S *	6/1998	Ohata	D24/155
				5,766,251 A	6/1998	Koshino	
4,969,909 A	11/1990	Barouk		5,766,253 A	6/1998	Brosnahan	
5,000,165 A	3/1991	Watanabe		5,772,663 A	6/1998	Whiteside et al.	
5,002,546 A	3/1991	Romano		5,797,916 A	8/1998	McDowell	
5,011,484 A	4/1991	Bréard		5,824,093 A	10/1998	Ray et al.	
5,015,255 A	5/1991	Kuslich		5,824,094 A	10/1998	Serhan et al.	
5,047,055 A	9/1991	Bao et al.		5,836,948 A	11/1998	Zucherman et al.	
5,062,845 A	11/1991	Kuslich		5,851,208 A	12/1998	Trott	
5,071,437 A	12/1991	Steffee		5,860,977 A	1/1999	Zucherman et al.	
5,092,866 A	3/1992	Breard et al.		5,865,846 A	2/1999	Bryan et al.	
5,112,346 A	5/1992	Hiltebrandt et al.		5,868,745 A	2/1999	Alleyne	
5,127,912 A	7/1992	Ray et al.		5,876,404 A	3/1999	Zucherman et al.	
5,147,404 A	9/1992	Downey		5,879,396 A	3/1999	Walston et al.	
5,171,280 A	12/1992	Baumgartner		5,888,203 A	3/1999	Goldberg	
5,192,326 A	3/1993	Bao et al.		5,893,889 A	4/1999	Harrington	
5,209,755 A	5/1993	Abraham et al.		5,895,428 A	4/1999	Berry	
5,258,031 A	11/1993	Salib et al.		RE36,221 E	6/1999	Breard et al.	
5,300,073 A	4/1994	Ray et al.		5,951,555 A	9/1999	Rehak et al.	
5,306,275 A	4/1994	Bryan		5,964,765 A *	10/1999	Fenton, Jr.	A61B 17/0487 606/103
5,306,308 A	4/1994	Gross et al.					
5,306,309 A	4/1994	Wagner et al.		5,997,542 A	12/1999	Burke	
5,330,479 A	7/1994	Whitmore		6,001,130 A	12/1999	Bryan et al.	
5,360,431 A	11/1994	Puno et al.		6,014,588 A	1/2000	Fitz	
5,368,596 A	11/1994	Burkhart		6,019,763 A	2/2000	Nakamura et al.	
5,370,697 A	12/1994	Baumgartner		6,019,792 A	2/2000	Cauthen	
5,372,598 A *	12/1994	Luhr	A61B 17/8085 606/285	6,039,763 A	3/2000	Shelokov	
				6,048,342 A	4/2000	Zucherman et al.	
5,400,784 A	3/1995	Durand et al.		6,050,998 A	4/2000	Fletcher	
5,401,269 A	3/1995	Buttner-Janzen et al.		6,063,121 A	5/2000	Xavier et al.	
5,413,576 A	5/1995	Rivard		6,066,325 A	5/2000	Wallace et al.	
5,415,661 A	5/1995	Holmes		6,068,630 A	5/2000	Zucherman et al.	
5,425,773 A	6/1995	Boyd et al.		RE36,758 E	6/2000	Fitz	
5,437,672 A	8/1995	Alleyne		6,080,157 A	6/2000	Cathro et al.	
				6,099,531 A	8/2000	Bonutti	
				6,106,558 A	8/2000	Picha	
				6,113,637 A	9/2000	Gill et al.	

(56)

References Cited

U.S. PATENT DOCUMENTS

6,132,464 A	10/2000	Martin	7,935,136 B2	5/2011	Alamin et al.
6,132,465 A	10/2000	Ray et al.	D643,121 S *	8/2011	Milford D24/155
6,146,422 A	11/2000	Lawson	7,993,370 B2	8/2011	Jahng
6,156,067 A	12/2000	Bryan et al.	7,998,172 B2	8/2011	Blain
6,179,839 B1	1/2001	Weiss et al.	8,052,728 B2	11/2011	Hestad
D439,340 S	3/2001	Michelson	8,109,971 B2	2/2012	Hale
6,200,322 B1	3/2001	Branch et al.	8,163,016 B2	4/2012	Linares
6,293,949 B1	9/2001	Justis et al.	8,192,468 B2	6/2012	Biedermann et al.
D450,122 S	11/2001	Michelson	8,216,275 B2	7/2012	Fielding et al.
6,325,803 B1 *	12/2001	Schumacher A61B 17/8047 606/104	8,246,655 B2	8/2012	Jackson et al.
D454,953 S	3/2002	Michelson	8,394,125 B2	3/2013	Assell
6,368,325 B1	4/2002	McKinley et al.	8,652,137 B2	2/2014	Blain et al.
6,368,350 B1	4/2002	Erickson et al.	8,740,942 B2	6/2014	Blain
6,371,958 B1	4/2002	Overaker	8,740,949 B2	6/2014	Blain
6,375,573 B2	4/2002	Romano	8,858,597 B2	10/2014	Blain
6,379,386 B1	4/2002	Resch et al.	8,882,804 B2	11/2014	Blain
D460,188 S	7/2002	Michelson	8,961,613 B2	2/2015	Assell et al.
D460,189 S	7/2002	Michelson	D724,733 S	3/2015	Blain et al.
6,419,678 B1	7/2002	Asfora	8,992,533 B2	3/2015	Blain et al.
6,419,703 B1	7/2002	Fallin et al.	8,998,953 B2	4/2015	Blain
6,436,099 B1 *	8/2002	Drewry A61B 17/7022 606/300	9,017,389 B2	4/2015	Assell et al.
6,436,101 B1	8/2002	Hamada et al.	9,060,787 B2	6/2015	Blain et al.
D463,560 S	9/2002	Michelson	D739,935 S	9/2015	Blain et al.
6,470,207 B1	10/2002	Simon et al.	9,149,283 B2	10/2015	Assell et al.
6,565,605 B2	5/2003	Goble et al.	9,179,943 B2	11/2015	Blain
6,572,617 B1	6/2003	Senegas	2001/0018614 A1	8/2001	Bianchi
6,579,318 B2	6/2003	Varga et al.	2002/0018799 A1	2/2002	Spector et al.
6,579,319 B2	6/2003	Goble et al.	2002/0019637 A1	2/2002	Frey et al.
6,589,244 B1	7/2003	Sevrain et al.	2002/0029039 A1	3/2002	Zucherman et al.
6,600,956 B2	7/2003	Maschino et al.	2002/0040227 A1	4/2002	Harari
6,607,530 B1	8/2003	Carl et al.	2002/0065557 A1	5/2002	Goble et al.
6,610,091 B1	8/2003	Reiley	2002/0072800 A1	6/2002	Goble et al.
D479,331 S *	9/2003	Pike D24/155	2002/0077700 A1	6/2002	Varga et al.
6,626,944 B1	9/2003	Taylor	2002/0086047 A1	7/2002	Mueller et al.
6,641,614 B1	11/2003	Wagner et al.	2002/0120335 A1	8/2002	Angelucci et al.
6,656,195 B2	12/2003	Peters et al.	2002/0123806 A1	9/2002	Reiley
6,669,697 B1	12/2003	Pisharodi	2002/0151895 A1	10/2002	Soboleski et al.
6,669,729 B2	12/2003	Chin	2002/0173800 A1	11/2002	Dreyfuss et al.
6,706,068 B2	3/2004	Ferree	2002/0173813 A1	11/2002	Peterson et al.
6,743,232 B2	6/2004	Overaker et al.	2002/0198527 A1	12/2002	Muckter
6,761,720 B1	7/2004	Senegas	2003/0004572 A1	1/2003	Goble et al.
6,764,491 B2	7/2004	Frey et al.	2003/0028250 A1	2/2003	Reiley et al.
6,770,095 B2	8/2004	Grinberg et al.	2003/0040797 A1	2/2003	Fallin et al.
6,783,527 B2	8/2004	Drewry et al.	2003/0187454 A1	10/2003	Gill et al.
6,790,210 B1	9/2004	Cragg et al.	2003/0191532 A1	10/2003	Goble et al.
6,811,567 B2	11/2004	Reiley	2003/0204259 A1	10/2003	Goble et al.
6,902,566 B2	6/2005	Zucherman et al.	2003/0216669 A1	11/2003	Lang et al.
6,908,484 B2	6/2005	Zubok et al.	2003/0233146 A1	12/2003	Grinberg et al.
6,966,930 B2	11/2005	Arnin et al.	2004/0006391 A1	1/2004	Reiley
6,974,478 B2	12/2005	Reiley et al.	2004/0010318 A1	1/2004	Ferree
6,974,479 B2	12/2005	Trieu	2004/0024462 A1	2/2004	Ferree et al.
D517,404 S	3/2006	Schluter	2004/0049271 A1	3/2004	Biedermann et al.
7,008,429 B2	3/2006	Golobek	2004/0049272 A1	3/2004	Reiley
7,013,675 B2	3/2006	Marquez-Pickering	2004/0049273 A1	3/2004	Reiley
7,051,451 B2	5/2006	Augostino et al.	2004/0049274 A1	3/2004	Reiley
7,074,238 B2	7/2006	Stinson et al.	2004/0049275 A1	3/2004	Reiley
7,101,375 B2	9/2006	Zucherman et al.	2004/0049276 A1	3/2004	Reiley
7,223,269 B2	5/2007	Chappuis	2004/0049277 A1	3/2004	Reiley
D565,180 S	3/2008	Liao	2004/0049278 A1	3/2004	Reiley
7,371,238 B2	5/2008	Sololeski et al.	2004/0049281 A1	3/2004	Reiley
7,458,981 B2	12/2008	Fielding et al.	2004/0059429 A1	3/2004	Amin et al.
7,517,358 B2	4/2009	Petersen	2004/0087954 A1	5/2004	Allen et al.
7,537,611 B2	5/2009	Lee	2004/0116927 A1	6/2004	Graf
7,559,940 B2	7/2009	McGuire et al.	2004/0127989 A1	7/2004	Dooris et al.
7,563,286 B2	7/2009	Gerber et al.	2004/0143264 A1	7/2004	McAfee
7,585,300 B2	9/2009	Cha	2004/0176844 A1	9/2004	Zubok et al.
7,608,104 B2	10/2009	Yuan et al.	2004/0215341 A1	10/2004	Sybert et al.
7,695,472 B2 *	4/2010	Young A61B 17/1728 606/280	2004/0230201 A1	11/2004	Yuan et al.
7,799,077 B2	9/2010	Lang et al.	2004/0230304 A1	11/2004	Yuan et al.
7,806,895 B2	10/2010	Weier et al.	2005/0010291 A1	1/2005	Stinson et al.
7,846,183 B2	12/2010	Blain	2005/0015146 A1	1/2005	Louis et al.
7,862,590 B2	1/2011	Lim et al.	2005/0043797 A1	2/2005	Lee
			2005/0043799 A1	2/2005	Reiley
			2005/0049705 A1	3/2005	Hale et al.
			2005/0055096 A1	3/2005	Serhan et al.
			2005/0059972 A1	3/2005	Biscup
			2005/0131409 A1	6/2005	Chervitz et al.
			2005/0131538 A1	6/2005	Chervitz et al.
			2005/0143818 A1	6/2005	Yuan et al.

(56)

References Cited

U.S. PATENT DOCUMENTS

2005/0159746 A1 7/2005 Grab et al.
 2005/0197700 A1 9/2005 Boehem et al.
 2005/0216017 A1 9/2005 Fielding et al.
 2005/0251256 A1 11/2005 Reiley
 2005/0256494 A1 11/2005 Datta
 2006/0004367 A1 1/2006 Alamin et al.
 2006/0036323 A1 2/2006 Carl et al.
 2006/0041311 A1 2/2006 McLeer
 2006/0084985 A1 4/2006 Kim
 2006/0085072 A1 4/2006 Funk et al.
 2006/0111782 A1 5/2006 Petersen
 2006/0149375 A1 7/2006 Yuan et al.
 2006/0200137 A1 9/2006 Soboleski et al.
 2006/0241601 A1 10/2006 Trautwein et al.
 2006/0241758 A1 10/2006 Peterman et al.
 2006/0293691 A1 12/2006 Mitra et al.
 2007/0055236 A1 3/2007 Hudgins et al.
 2007/0078464 A1 4/2007 Jones et al.
 2007/0118218 A1 5/2007 Hooper
 2007/0149976 A1 6/2007 Hale et al.
 2007/0179619 A1 8/2007 Grab
 2007/0250166 A1 10/2007 McKay
 2007/0270812 A1 11/2007 Peckham
 2008/0009866 A1 1/2008 Alamin et al.
 2008/0177264 A1 7/2008 Alamin et al.
 2008/0183211 A1 7/2008 Lamborne et al.
 2008/0208249 A1 8/2008 Blain et al.
 2008/0228225 A1 9/2008 Trautwein et al.
 2008/0287996 A1 11/2008 Soholeski et al.
 2009/0005818 A1 1/2009 Chin et al.
 2009/0018662 A1 1/2009 Pasquet et al.
 2009/0024166 A1 1/2009 Carl et al.
 2009/0076617 A1 3/2009 Ralph et al.
 2009/0125066 A1 5/2009 Kraus et al.
 2009/0138048 A1 5/2009 Baccelli et al.
 2009/0198282 A1 8/2009 Fielding et al.
 2009/0204152 A1 8/2009 Blain
 2009/0264928 A1 10/2009 Blain
 2009/0264929 A1 10/2009 Alamin et al.
 2009/0270918 A1 10/2009 Attia et al.
 2010/0185241 A1 7/2010 Malandain et al.
 2010/0204732 A1 8/2010 Aschmann et al.
 2010/0234894 A1 9/2010 Alamin et al.
 2010/0274289 A1 10/2010 Carls et al.
 2010/0318133 A1 12/2010 Tornier
 2011/0022089 A1 1/2011 Assell et al.
 2011/0040301 A1 2/2011 Blain et al.
 2011/0082503 A1 4/2011 Blain
 2011/0098816 A1 4/2011 Jacob et al.
 2011/0172712 A1 7/2011 Chee et al.
 2011/0295318 A1 12/2011 Alamin et al.
 2011/0313456 A1 12/2011 Blain
 2012/0035658 A1 2/2012 Goble et al.
 2012/0101502 A1 4/2012 Kartalian et al.
 2012/0150231 A1 6/2012 Alamin et al.
 2012/0221048 A1 8/2012 Blain
 2012/0221049 A1 8/2012 Blain
 2012/0221060 A1 8/2012 Blain
 2012/0245586 A1 9/2012 Lehenkari et al.
 2012/0271354 A1 10/2012 Baccelli et al.
 2012/0310244 A1 12/2012 Blain et al.
 2013/0197646 A1 8/2013 Blain
 2013/0245693 A1 9/2013 Blain
 2013/0325065 A1 12/2013 Malandain et al.
 2014/0228883 A1 8/2014 Blain
 2014/0257397 A1 9/2014 Akbarnia et al.
 2014/0277142 A1 9/2014 Blain
 2014/0277148 A1 9/2014 Blain
 2014/0336653 A1 11/2014 Bromer
 2015/0081023 A1 3/2015 Blain
 2015/0094766 A1 4/2015 Blain et al.
 2015/0094767 A1 4/2015 Blain et al.
 2015/0119988 A1 4/2015 Assell et al.
 2015/0164516 A1 6/2015 Blain et al.
 2015/0164652 A1 6/2015 Assell et al.

2015/0190149 A1 7/2015 Assell et al.
 2015/0196330 A1 7/2015 Blain
 2015/0257770 A1 9/2015 Assell et al.
 2015/0257773 A1 9/2015 Blain

FOREIGN PATENT DOCUMENTS

DE 201 12 123 9/2001
 DE 101 35 771 2/2003
 EP 0 322 334 6/1989
 EP 0 392 124 10/1990
 EP 0 610 837 8/1994
 EP 1 201 202 5/2002
 EP 1 201 256 5/2002
 EP 2 919 717 9/2015
 FR 2 722 980 2/1996
 GB 2 366 736 3/2002
 JP 10-179622 7/1998
 JP 2007-503884 3/2007
 JP 2008-510526 4/2008
 MX 6012309 1/2007
 WO 93/14721 8/1993
 WO 94/04088 3/1994
 WO 98/48717 11/1998
 WO 99/23963 5/1999
 WO 00/38582 7/2000
 WO 00/53126 9/2000
 WO 01/30248 5/2001
 WO 02/45765 6/2002
 WO 02/065954 8/2002
 WO 02/096300 12/2002
 WO 03/101350 12/2003
 WO 2004/071358 8/2004
 WO 2005/020850 3/2005
 WO 2005/072661 8/2005
 WO 2006/096803 9/2006
 WO 2011/011621 1/2011
 WO 2012/116266 8/2012
 WO 2013/138655 9/2013

OTHER PUBLICATIONS

Official Communication in Canadian Application No. 2,803,783, dated Aug. 5, 2015.
 Official Communication in Japanese Application No. 2012-272106, dated Feb. 23, 2015.
 Official Communication in Japanese Application No. 2013-524882, dated Mar. 2, 2015.
 Official Communication in Australian Application No. AU2012222229, dated Aug. 21, 2015.
 Official Communication in Australian Application No. AU2012222230, dated Aug. 21, 2015.
 International Search Report and Written Opinion in International Application No. PCT/US2014/019302, dated May 18, 2015.
 International Preliminary Report on Patentability and Written Opinion in International Application No. PCT/US2014/019325, dated Sep. 24, 2015.
 International Search Report and Written Opinion in International Application No. PCT/US2014/056598, dated Dec. 29, 2014.
 3rd Party Lab Notebook, "Facet Cartilage Repair," dated May 20, 2003 in 2 pages.
 ArthroTek, "CurvTek® Bone Tunneling System," Surgical Technique, 2000, pp. 6.
 E-mail from 3rd Party citing U.S. Appl. Nos. 60/721,909; 60/750,005 and 60/749,000, initial e-mail dated May 11, 2009, reply e-mail dated May 18, 2009.
 King et al., "Mechanism of Spinal Injury Due to Caudocranial Acceleration," Symposium on the Lumbar Spine, Orthopedic Clinic of North America, Jan. 1975, vol. 6, pp. 19-31.
 PARTEQ Innovations, "Facet Joint Implants & Resurfacing Devices," Technology Opportunity Bulletin, Tech ID 1999-012, Queen's University, Ontario Canada.
 Official Communication in Australian Application No. 2005213459, dated Dec. 11, 2009.
 Official Communication in Australian Application No. 2005213459, dated Dec. 15, 2010.

(56)

References Cited

OTHER PUBLICATIONS

Official Communication in Australian Application No. 2011226832, dated Sep. 4, 2012.
Official Communication in Australian Application No. 2011226832, dated Oct. 31, 2012.
Official Communication in Australian Application No. AU2013237744, dated Sep. 2, 2014.
Official Communication in Canadian Application No. 2,555,355, dated Sep. 2, 2011.
Official Communication in Canadian Application No. 2,803,783, dated Sep. 29, 2014.
Official Communication in European Application No. 05712981.9, dated Jul. 24, 2007.
Official Communication in European Application No. 05712981.9, dated Mar. 10, 2008.
Official Communication in European Application No. 05712981.9, dated Apr. 6, 2009.
Official Communication in European Application No. 05712981.9, dated Jun. 15, 2010.
Official Communication in European Application No. 10178979.0, dated Mar. 14, 2011.
Official Communication in European Application No. 10178979.0, dated Nov. 13, 2012.
Official Communication in European Application No. 10178979.0, dated Aug. 5, 2013.
Official Communication in European Application No. 14175088.5, dated Sep. 8, 2014.
Official Communication in Japanese Application No. 2006-552309, dated May 25, 2010.
Official Communication in Japanese Application No. 2006-552309, dated Feb. 15, 2011.
Official Communication in Japanese Application No. 2010-221380, dated Feb. 15, 2011.
Official Communication in Japanese Application No. 2012-272106, dated Dec. 3, 2013.
Official Communication in Japanese Application No. 2012-272106, dated May 26, 2014.
International Search Report and Written Opinion in International Application No. PCT/US2005/003753, dated Dec. 5, 2006.
International Preliminary Report and Written Opinion in International App No. PCT/US2005/003753, dated Jan. 9, 2007.

Official Communication in European Application No. 08730413.5, dated Feb. 16, 2012.
Official Communication in European Application No. 14177951.2, dated Nov. 13, 2014.
International Search Report and Written Opinion in International Application No. PCT/US2008/054607, dated Jul. 10, 2008.
International Preliminary Report on Patentability in International Application No. PCT/US2008/054607, dated Sep. 3, 2009.
Official Communication in Australian Application No. 2011292297, dated Jul. 10, 2013.
Official Communication in European Application No. 11818586.7, dated Nov. 6, 2014.
International Search Report and Written Opinion in International Application No. PCT/US2011/047432, dated Dec. 12, 2011.
International Preliminary Report on Patentability in International Application No. PCT/US2011/047432, dated Feb. 28, 2013.
International Search Report in International Application No. PCT/US2012/026470, dated May 30, 2012.
International Preliminary Report on Patentability and Written Opinion in International Application No. PCT/US2012/026470, dated Sep. 6, 2013.
International Search Report and Written Opinion in International Application No. PCT/US2012/026472, dated Jun. 20, 2012.
International Preliminary Report on Patentability and Written Opinion in International Application No. PCT/US2012/026472, dated Mar. 12, 2014.
International Search Report and Written Opinion in International Application No. PCT/US2014/019325, dated Jun. 17, 2014.
Official Communication in Japanese Application No. 2009-074336, dated Feb. 15, 2011.
International Search Report in International Application No. PCT/CA2002/000193 filed Feb. 15, 2002, dated Jun. 18, 2002.
International Search Report and Written Opinion in International Application No. PCT/US2004/028094, dated May 16, 2005.
International Preliminary Report on Patentability in International Application No. PCT/US2004/028094, dated Feb. 25, 2013.
International Search Report in International Application No. PCT/US2005/000987 filed Jan. 13, 2005, dated May 24, 2005.
International Preliminary Report on Patentability in International Application No. PCT/US2005/000987 filed Jan. 13, 2005, dated Jan. 17, 2006.

* cited by examiner

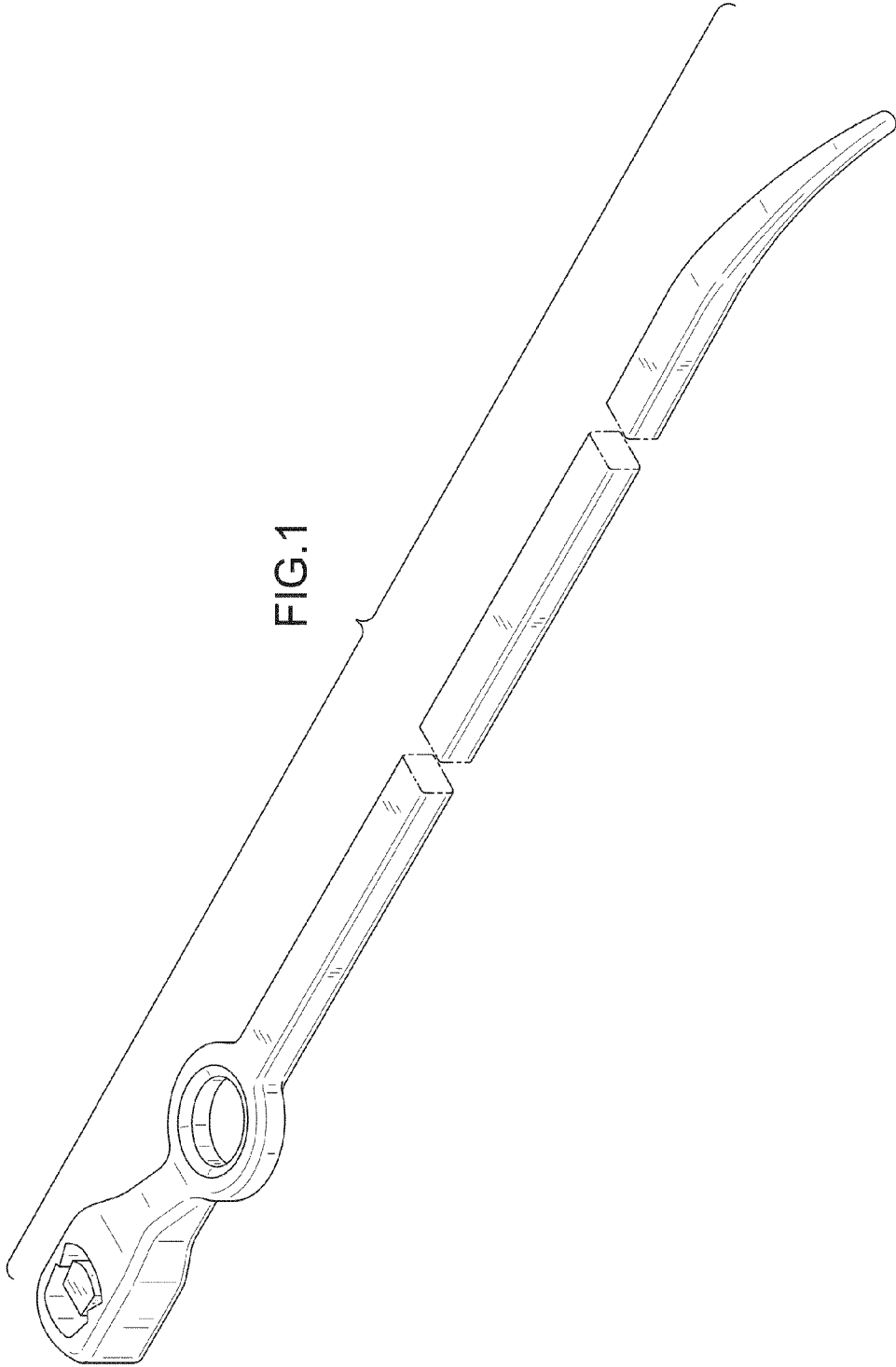


FIG. 1

FIG.2

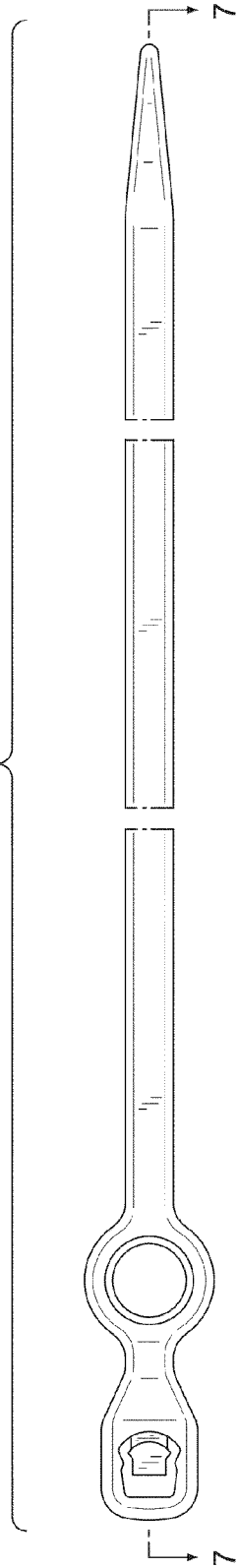


FIG.3

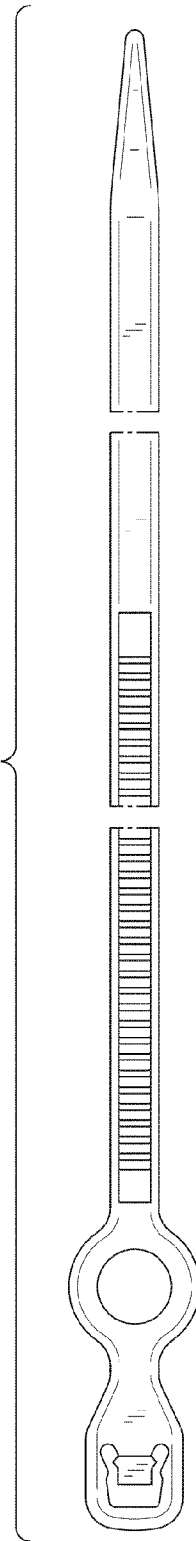


FIG.4

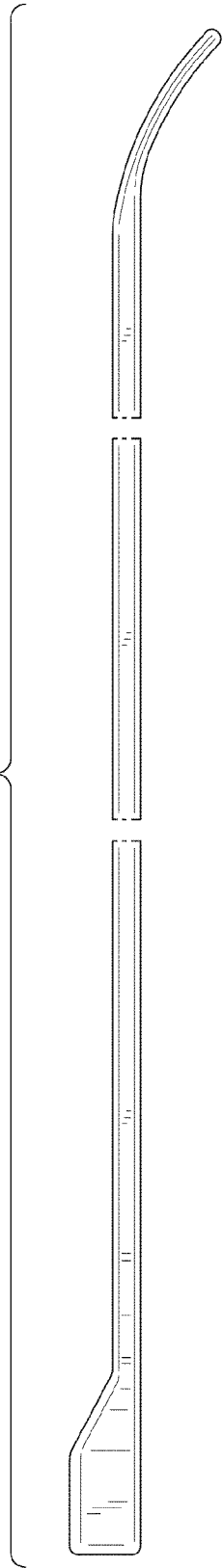


FIG.5

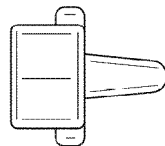


FIG.6

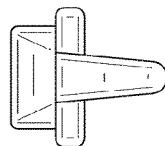


FIG.7

