



US00D651062S

(12) **United States Design Patent**
Wackwitz

(10) **Patent No.:** **US D651,062 S**

(45) **Date of Patent:** **** Dec. 27, 2011**

- (54) **TOOL INTERFACE FOR AN ACCESSORY**
- (75) Inventor: **Jeffrey M. Wackwitz**, Waukesha, WI (US)
- (73) Assignee: **Milwaukee Electric Tool Corporation**, Brookfield, WI (US)

2,912,021 A 11/1959 Gommel
 2,997,819 A 8/1961 Schacht
 3,041,797 A 7/1962 Moffly
 3,308,703 A 3/1967 Sauer
 3,440,915 A 4/1969 Weyant
 3,623,281 A 11/1971 Moffat
 3,667,169 A 6/1972 MacKay, Jr.
 3,908,499 A 9/1975 Reed

(Continued)

(**) Term: **14 Years**

(21) Appl. No.: **29/375,918**

FOREIGN PATENT DOCUMENTS

DE 10061559 A1 6/2002

(Continued)

(22) Filed: **Sep. 29, 2010**

(51) **LOC (9) Cl.** **08-05**

(52) **U.S. Cl.** **D8/70**

(58) **Field of Classification Search** D8/70;
 D15/140; 30/166.3, 169, 272.1, 277.4, 294,
 30/339, 347, 389, 392; 83/665, 666, 676,
 83/835, 886; 125/15, 25, 13.01; 403/3, 316,
 403/359.3, 163; 451/8, 28, 57, 163, 294,
 451/342, 344, 349, 353, 356, 357, 359, 360,
 451/41, 490, 494, 508, 509, 510, 511, 548,
 451/559

See application file for complete search history.

OTHER PUBLICATIONS

Milwaukee Electric Tool Corporation, Bosch tool, photo, 2010.

(Continued)

Primary Examiner — Antoine D Davis

(74) *Attorney, Agent, or Firm* — Michael Best & Friedrich LLP

(57) **CLAIM**

I claim the ornamental design for a tool interface for an accessory, as shown and described in FIGS. 1-3.

(56) **References Cited**

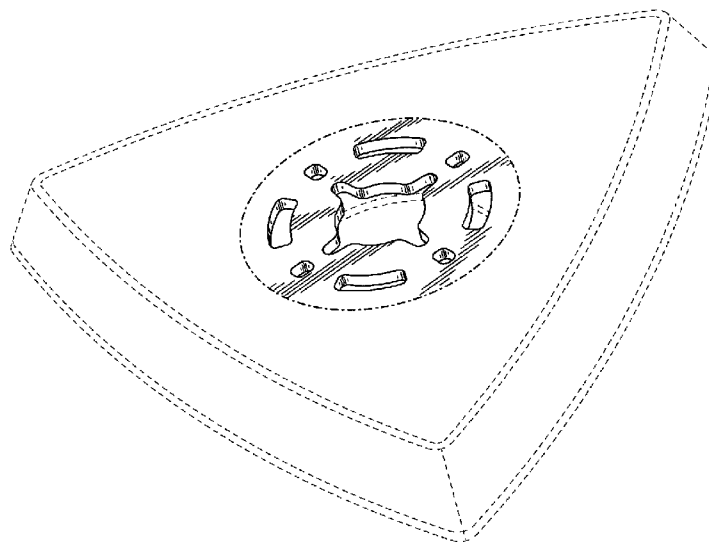
U.S. PATENT DOCUMENTS

81,661 A	9/1868	McDonald
197,650 A	11/1877	Milligan
223,103 A	12/1879	Berstler
241,178 A	5/1881	Amazeen
390,134 A	9/1888	Miller
519,892 A	5/1894	Newton
742,000 A	10/1903	Brooks
1,947,662 A	2/1934	Robinson
2,132,917 A	10/1938	Albertson
2,550,768 A	5/1951	Burleigh
2,649,868 A	8/1953	Gommel
2,822,648 A	2/1958	Metzger et al.
2,846,826 A	8/1958	Miller
2,854,042 A	9/1958	Robinson

DESCRIPTION

FIG. 1 is a perspective view of a tool interface.
 FIG. 2 is a top view of the tool interface shown in FIG. 1; and,
 FIG. 3 is a bottom view of the tool interface shown in FIG. 1.
 The broken line showing of the environment is for illustrative purposes only and forms no part of the claimed design. The broken lines which define the boundaries of the claimed design form no part thereof.
 The design sought to be patented in FIGS. 1-3 is not visible in the rear, front, left side and right side views. Accordingly, these views have been omitted.

1 Claim, 2 Drawing Sheets



US D651,062 S

U.S. PATENT DOCUMENTS						
3,943,934 A	3/1976	Bent		6,306,024 B1	10/2001	Kai et al.
4,015,371 A	4/1977	Grayston		6,332,836 B1	12/2001	Tseng
4,343,214 A	8/1982	Schadlich		6,340,022 B1	1/2002	Schroer
4,361,956 A *	12/1982	Kirk	30/166.3	6,349,446 B1	2/2002	Krause et al.
4,393,626 A	7/1983	Schroer		6,361,424 B1	3/2002	Manor et al.
4,432,264 A	2/1984	Scott		6,371,837 B1	4/2002	Luedeke
4,436,006 A	3/1984	Nakamura et al.		6,379,236 B1	4/2002	Takizawa et al.
4,436,009 A	3/1984	Ask		6,401,342 B1	6/2002	Kloss et al.
4,461,195 A	7/1984	Barnick		D466,597 S	12/2002	Carr
D276,310 S	11/1984	Frieberg		6,503,253 B1	1/2003	Fletcher et al.
4,497,141 A	2/1985	Jarby		6,520,055 B1	2/2003	Reusch et al.
4,637,170 A	1/1987	Block		6,523,214 B1	2/2003	Kaiser
4,637,391 A *	1/1987	Schlein	30/166.3	6,533,650 B2	3/2003	Yoshida et al.
4,657,428 A	4/1987	Wiley		6,569,001 B2	5/2003	Rudolf et al.
4,683,683 A	8/1987	Block		6,629,484 B2	10/2003	Soyama et al.
4,700,478 A	10/1987	Mezger et al.		6,640,377 B2	11/2003	Krause et al.
4,706,386 A	11/1987	Wiley		6,699,112 B2	3/2004	Bergner et al.
4,730,952 A	3/1988	Wiley		6,723,101 B2	4/2004	Fletcher et al.
4,787,147 A	11/1988	Wiley		6,749,493 B2	6/2004	Wuensch
4,852,261 A	8/1989	Wittek		D493,683 S	8/2004	Hortenbury et al.
4,905,420 A	3/1990	Flachenecker et al.		6,780,093 B2	8/2004	Krondorfer et al.
4,989,320 A	2/1991	Borkott et al.		6,786,811 B2	9/2004	Krondorfer et al.
D315,667 S	3/1991	Johnson		6,796,888 B2	9/2004	Jasch
5,038,478 A	8/1991	Mezger et al.		6,802,127 B2	10/2004	Thomaschewski
D327,111 S	6/1992	Hemming		6,802,764 B2	10/2004	Besch
5,263,283 A	11/1993	Rudolf et al.		6,814,655 B2	11/2004	Hofmann et al.
5,265,340 A	11/1993	Nitz et al.		6,814,657 B2	11/2004	Spangenberg et al.
5,292,352 A	3/1994	Rudolf et al.		6,827,074 B2	12/2004	Gardner
5,303,688 A	4/1994	Chiuminata et al.		6,860,792 B2	3/2005	Krondorfer et al.
5,309,805 A	5/1994	Mezger et al.		6,869,346 B2	3/2005	Wendt et al.
5,319,886 A	6/1994	Steere, Jr.		6,902,471 B2	6/2005	Krondorfer et al.
5,366,312 A	11/1994	Raines		6,942,558 B2	9/2005	Wuensch
5,373,834 A	12/1994	Chiuminata et al.		6,942,560 B2	9/2005	Hofmann et al.
5,382,249 A	1/1995	Fletcher		6,945,862 B2	9/2005	Jasch et al.
D362,065 S	9/1995	Goris		7,000,606 B2	2/2006	Gardner
5,468,247 A	11/1995	Matthai et al.		7,077,734 B2	7/2006	Tiede et al.
5,477,845 A	12/1995	Zuzelo		7,077,735 B2	7/2006	Krondorfer et al.
5,482,499 A	1/1996	Satoh		7,097,548 B2	8/2006	Krondorfer et al.
5,491,896 A	2/1996	Stolzer et al.		D528,407 S	9/2006	Schwab
5,496,316 A	3/1996	Goris		7,108,077 B2	9/2006	Zaiser
5,554,066 A	9/1996	Bosten et al.		7,115,027 B2	10/2006	Thomaschewski
5,555,788 A	9/1996	Gakhar et al.		7,115,028 B1	10/2006	Chen
5,597,347 A	1/1997	Bosten et al.		7,137,329 B1	11/2006	Moser
5,601,483 A	2/1997	Rudolf et al.		7,143,760 B2	12/2006	Gardner
5,626,510 A	5/1997	Bergner et al.		7,169,025 B2	1/2007	Schumacher
5,637,034 A	6/1997	Everts et al.		7,201,644 B2	4/2007	Gardner
5,681,213 A	10/1997	Hashii		7,207,873 B2	4/2007	Hesse et al.
5,694,693 A	12/1997	Hutchins et al.		7,217,177 B2	5/2007	Frech et al.
5,702,415 A	12/1997	Matthai et al.		7,273,412 B1	9/2007	Sun et al.
5,709,595 A	1/1998	Bergner et al.		7,313,838 B2	1/2008	Long et al.
5,729,904 A	3/1998	Trott		7,402,095 B2	7/2008	Gardner
5,743,791 A	4/1998	Bosten et al.		7,438,629 B2	10/2008	Bosten et al.
5,749,770 A	5/1998	Uzumcu et al.		7,506,877 B1	3/2009	Henderson et al.
5,759,094 A	6/1998	Bosten et al.		7,510,464 B2	3/2009	Stierle et al.
5,842,278 A	12/1998	Gmeilbauer		7,527,628 B2	5/2009	Fletcher et al.
5,846,244 A	12/1998	Cripe		7,588,484 B2	9/2009	Momosaki
5,901,629 A	5/1999	Stroud		D628,218 S *	11/2010	Tommassini D15/138
5,911,620 A	6/1999	Spangenberg et al.		2002/0016143 A1	2/2002	Bosten et al.
5,967,886 A	10/1999	Wuensch et al.		2002/0022444 A1	2/2002	Littlefield
D417,598 S *	12/1999	Dibbern et al.	D8/70	2003/0000716 A1	1/2003	Hofmann et al.
6,004,194 A	12/1999	Hild et al.		2003/0153254 A1	8/2003	Bosten et al.
6,022,353 A	2/2000	Fletcher et al.		2004/0192180 A1	9/2004	Bosten et al.
D421,566 S *	3/2000	Achterberg	D8/70	2004/0243136 A1	12/2004	Gupta et al.
6,042,460 A	3/2000	Bosten et al.		2005/0153640 A1	7/2005	Stein et al.
D424,076 S *	5/2000	Dibbern et al.	D8/70	2006/0150428 A1	7/2006	Baculy
D427,042 S *	6/2000	Dibbern et al.	D8/70	2006/0272468 A1	12/2006	Gupta et al.
6,099,311 A	8/2000	Wagner et al.		2007/0094877 A1	5/2007	Bohne et al.
6,099,397 A	8/2000	Wurst		2007/0295156 A1	12/2007	Ziegler et al.
6,110,028 A	8/2000	Chung		2008/0003929 A1	1/2008	Degen
6,129,618 A	10/2000	Frech		2008/0017007 A1	1/2008	Weber et al.
6,142,858 A	11/2000	Luedeke		2008/0029134 A1	2/2008	Long et al.
D435,571 S *	12/2000	Dibbern et al.	D15/140	2008/0057846 A1	3/2008	Schumacher
6,155,916 A	12/2000	Rudolf et al.		2008/0160886 A1	7/2008	Palushaj
6,159,084 A	12/2000	Tiede		2008/0190259 A1	8/2008	Bohne
6,257,969 B1	7/2001	Bosten et al.		2008/0210212 A1	9/2008	Baratta
6,277,012 B1	8/2001	Halliley		2009/0013540 A1	1/2009	Bohne
6,293,859 B1	9/2001	Fink et al.		2009/0023371 A1	1/2009	Blickle et al.
6,299,078 B1	10/2001	Fugere		2009/0083916 A1	4/2009	Lampka et al.
				2009/0209186 A1	8/2009	Krauss et al.

2009/0293696 A1 12/2009 Rauscher et al.
 2009/0318065 A1 12/2009 Zaiser et al.
 2010/0009613 A1 1/2010 Frueh et al.
 2010/0052269 A1 3/2010 Zaiser et al.
 2010/0056029 A1 3/2010 Grunikiewicz

FOREIGN PATENT DOCUMENTS

DE 20309329 U1 8/2003
 DE 102004050798 A1 4/2006
 DE 202006013890 U1 11/2006
 DE 102006021969 A1 11/2007
 DE 102007039367 A1 3/2008
 DE 102007018467 A1 10/2008
 DE 102007036786 A1 10/2008
 DE 102007035045 A1 1/2009
 DE 202007018679 U1 1/2009
 DE 102008027671 A1 12/2009
 EP 1213107 A1 6/2002
 EP 1302286 A1 4/2003
 EP 1852218 A1 11/2007
 EP 2017036 A1 1/2009
 EP 2143531 A1 1/2010
 EP 2159000 A1 3/2010
 WO 2008128813 A1 10/2008
 WO 2008128862 A1 10/2008

OTHER PUBLICATIONS

Milwaukee Electric Tool Corporation, Bosch tool and accessories, photo, 2010.
 Milwaukee Electric Tool Corporation, Bosch tool and adapter, photo, 2010.
 Milwaukee Electric Tool Corporation, Rockwell tool, photo, 2010.
 Milwaukee Electric Tool Corporation, Rockwell tool and accessories, photo, 2010.
 Milwaukee Electric Tool Corporation, Craftsman tool, photo, 2010.
 Milwaukee Electric Tool Corporation, Craftsman tool and accessories, photo, 2010.
 Milwaukee Electric Tool Corporation, Dremel tool, photo, 2010.
 Milwaukee Electric Tool Corporation, Dremel tool and accessories, photo, 2010.
 Milwaukee Electric Tool Corporation, Fein tool, photo, 2010.
 Milwaukee Electric Tool Corporation, Fein tool and accessories, photo, 2010.
 EP Designs 000535174-0001 and 000535174-0002 for cutting discs, show at <http://oami.europa.eu/RCDOnline/RequestManager>.

* cited by examiner

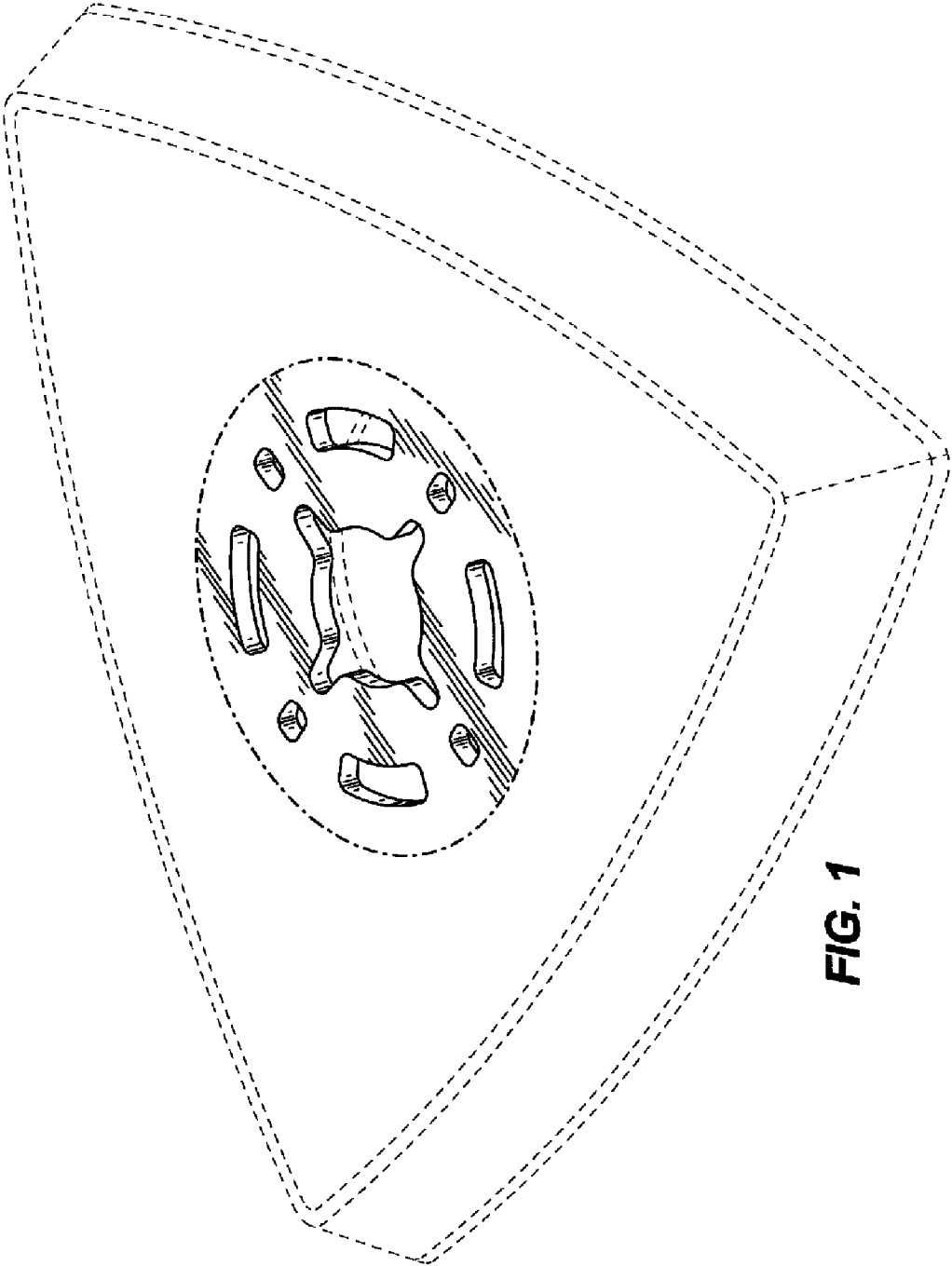


FIG. 1

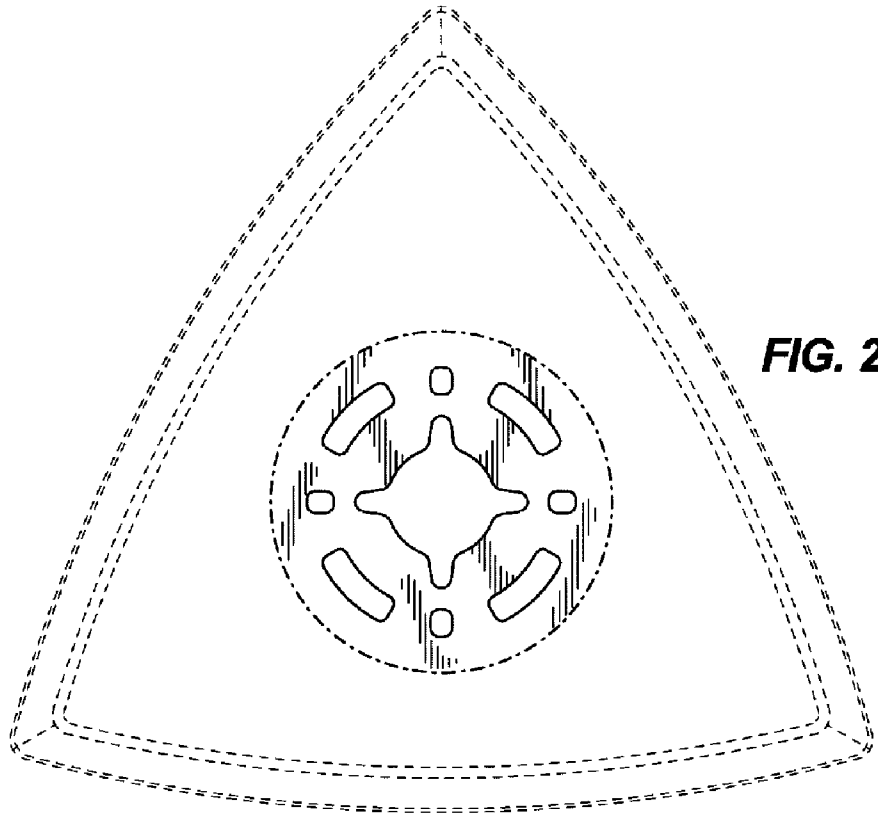


FIG. 2

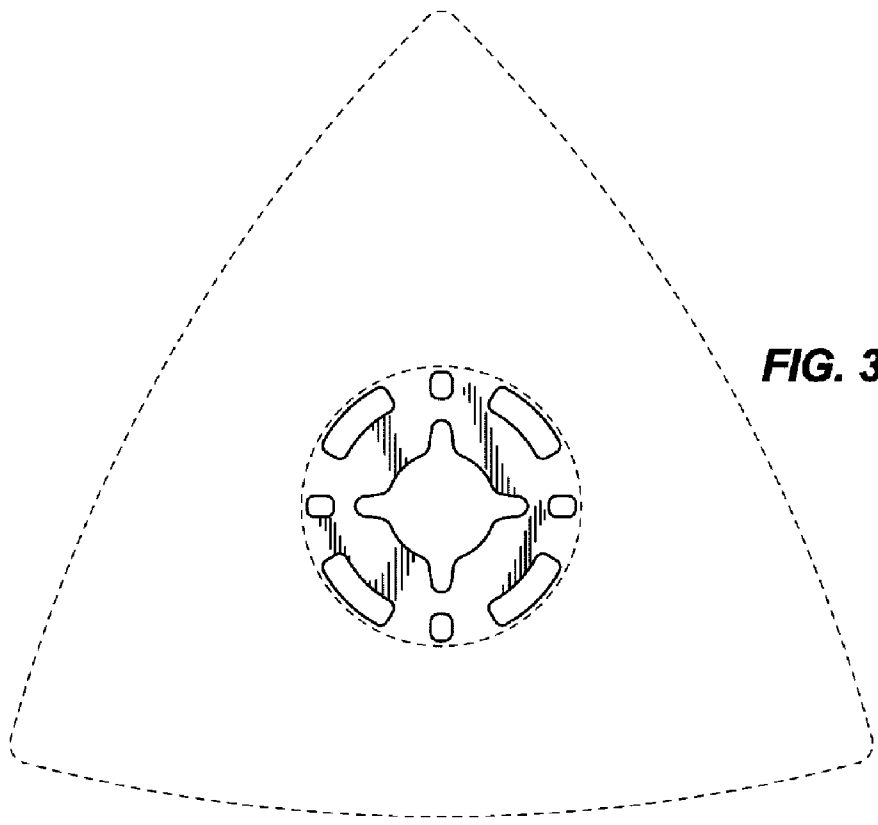


FIG. 3