



- (51) International Patent Classification:
G06F 11/14 (2006.01)
- (21) International Application Number:
PCT/US2014/067476
- (22) International Filing Date:
25 November 2014 (25.11.2014)
- (25) Filing Language: English
- (26) Publication Language: English
- (30) Priority Data:
61/909,924 27 November 2013 (27.11.2013) US
14/135,417 19 December 2013 (19.12.2013) US
- (71) Applicant: SANDISK ENTERPRISE IP LLC [US/US];
951 Sandisk Drive, Milpitas, CA 95035 (US).
- (72) Inventors: LUCAS, Gregg, S.; 951 Sandisk Drive, Milpitas, CA 95035 (US). DELPAPA, Kenneth, B.; 951 Sandisk Drive, Milpitas, CA 95035 (US). HERMAN, Lace, J.; 951 Sandisk Drive, Milpitas, CA 95035 (US). ELLIS, Robert, W.; 951 Sandisk Drive, Milpitas, CA 95035 (US).
- (74) Agents: WILLIAMS, Gary, S. et al.; Morgan Lewis & Bockius LLP, 2 Palo Alto Square, 3000 El Camino Real, Suite 700, Palo Alto, CA 94306 (US).
- (81) Designated States (unless otherwise indicated, for every kind of national protection available): AE, AG, AL, AM,

AO, AT, AU, AZ, BA, BB, BG, BH, BN, BR, BW, BY, BZ, CA, CH, CL, CN, CO, CR, CU, CZ, DE, DK, DM, DO, DZ, EC, EE, EG, ES, FI, GB, GD, GE, GH, GM, GT, HN, HR, HU, ID, IL, IN, IR, IS, JP, KE, KG, KN, KP, KR, KZ, LA, LC, LK, LR, LS, LU, LY, MA, MD, ME, MG, MK, MN, MW, MX, MY, MZ, NA, NG, NI, NO, NZ, OM, PA, PE, PG, PH, PL, PT, QA, RO, RS, RU, RW, SA, SC, SD, SE, SG, SK, SL, SM, ST, SV, SY, TH, TJ, TM, TN, TR, TT, TZ, UA, UG, US, UZ, VC, VN, ZA, ZM, ZW.

- (84) Designated States (unless otherwise indicated, for every kind of regional protection available): ARIPO (BW, GH, GM, KE, LR, LS, MW, MZ, NA, RW, SD, SL, ST, SZ, TZ, UG, ZM, ZW), Eurasian (AM, AZ, BY, KG, KZ, RU, TJ, TM), European (AL, AT, BE, BG, CH, CY, CZ, DE, DK, EE, ES, FI, FR, GB, GR, HR, HU, IE, IS, IT, LT, LU, LV, MC, MK, MT, NL, NO, PL, PT, RO, RS, SE, SI, SK, SM, TR), OAPI (BF, BJ, CF, CG, CI, CM, GA, GN, GQ, GW, KM, ML, MR, NE, SN, TD, TG).

Published:

- with international search report (Art. 21(3))
- before the expiration of the time limit for amending the claims and to be republished in the event of receipt of amendments (Rule 48.2(h))

- (88) Date of publication of the international search report:
23 July 2015

(54) Title: HARD POWER FAIL ARCHITECTURE

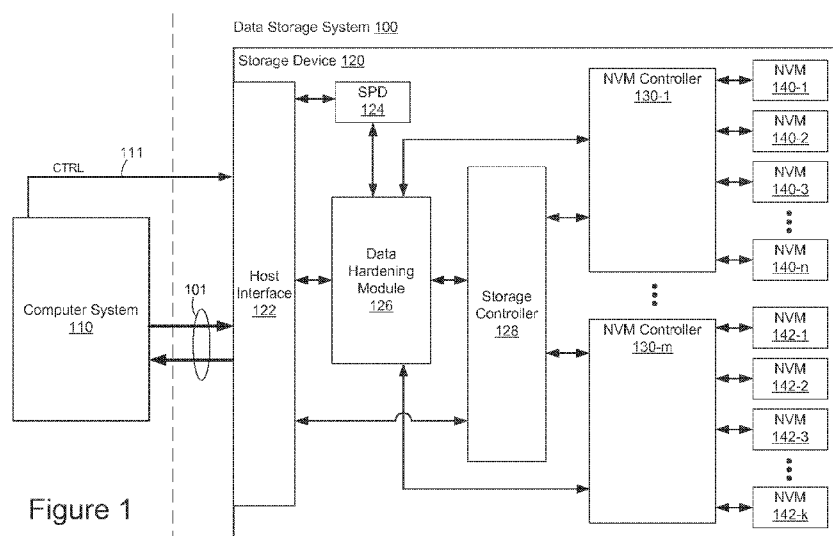


Figure 1

(57) Abstract: The various implementations described herein include systems, methods and/or devices used to enable power sequencing and data hardening in a storage device. In one aspect, the method includes determining whether a power supply voltage provided to the storage device is higher than an over-voltage threshold. The method further includes, in accordance with a determination that the power supply voltage is higher than the over-voltage threshold, performing a power fail operation, the power fail operation including: (1) signaling a power fail condition to a plurality of controllers on the storage device, (2) transferring data held in volatile memory to non-volatile memory, and (3) removing power from the plurality of controllers on the storage device.

WO 2015/081129 A3

INTERNATIONAL SEARCH REPORT

International application No
PCT/US2014/067476

A. CLASSIFICATION OF SUBJECT MATTER
INV. G06F11/14
ADD.

According to International Patent Classification (IPC) or to both national classification and IPC

B. FIELDS SEARCHED

Minimum documentation searched (classification system followed by classification symbols)
G06F

Documentation searched other than minimum documentation to the extent that such documents are included in the fields searched

Electronic data base consulted during the international search (name of data base and, where practicable, search terms used)

EPO-Internal, WPI Data, INSPEC, COMPENDEX, IBM-TDB

C. DOCUMENTS CONSIDERED TO BE RELEVANT

Category*	Citation of document, with indication, where appropriate, of the relevant passages	Relevant to claim No.
X	EP 1 956 489 A2 (HITACHI LTD [JP]) 13 August 2008 (2008-08-13) paragraphs [0012], [0013], [0031] - [0037], [0040], [0047], [0075] - [0084], [0106] - [0108], [0115] figures 1,2,7 -----	1-31
X	US 2013/019076 A1 (AMIDI MIKE HOSSEIN [US] ET AL) 17 January 2013 (2013-01-17) paragraphs [0004] - [0006], [0009] - [0012], [0028], [0045] - [0059] figures 2,2a,3,4,6,7 -----	1-31
X	US 2003/126494 A1 (STRASSER AMNON A [IL]) 3 July 2003 (2003-07-03) paragraphs [0010] - [0014], [0030] - [0041]; figures 2,3,5a,5b -----	1-31

Further documents are listed in the continuation of Box C.

See patent family annex.

* Special categories of cited documents :

"A" document defining the general state of the art which is not considered to be of particular relevance

"E" earlier application or patent but published on or after the international filing date

"L" document which may throw doubts on priority claim(s) or which is cited to establish the publication date of another citation or other special reason (as specified)

"O" document referring to an oral disclosure, use, exhibition or other means

"P" document published prior to the international filing date but later than the priority date claimed

"T" later document published after the international filing date or priority date and not in conflict with the application but cited to understand the principle or theory underlying the invention

"X" document of particular relevance; the claimed invention cannot be considered novel or cannot be considered to involve an inventive step when the document is taken alone

"Y" document of particular relevance; the claimed invention cannot be considered to involve an inventive step when the document is combined with one or more other such documents, such combination being obvious to a person skilled in the art

"&" document member of the same patent family

Date of the actual completion of the international search

11 May 2015

Date of mailing of the international search report

27/05/2015

Name and mailing address of the ISA/

European Patent Office, P.B. 5818 Patentlaan 2
NL - 2280 HV Rijswijk
Tel. (+31-70) 340-2040,
Fax: (+31-70) 340-3016

Authorized officer

Johansson, Ulf

INTERNATIONAL SEARCH REPORT

Information on patent family members

International application No PCT/US2014/067476
--

Patent document cited in search report	Publication date	Patent family member(s)	Publication date
EP 1956489	A2	13-08-2008	
		CN 101241477 A	13-08-2008
		EP 1956489 A2	13-08-2008
		JP 5026102 B2	12-09-2012
		JP 2008192028 A	21-08-2008
		US 2008189484 A1	07-08-2008
		US 2011078379 A1	31-03-2011

US 2013019076	A1	17-01-2013	NONE

US 2003126494	A1	03-07-2003	
		AU 2002367054 A1	30-07-2003
		EP 1470483 A1	27-10-2004
		US 2003126494 A1	03-07-2003
		WO 03060716 A1	24-07-2003
