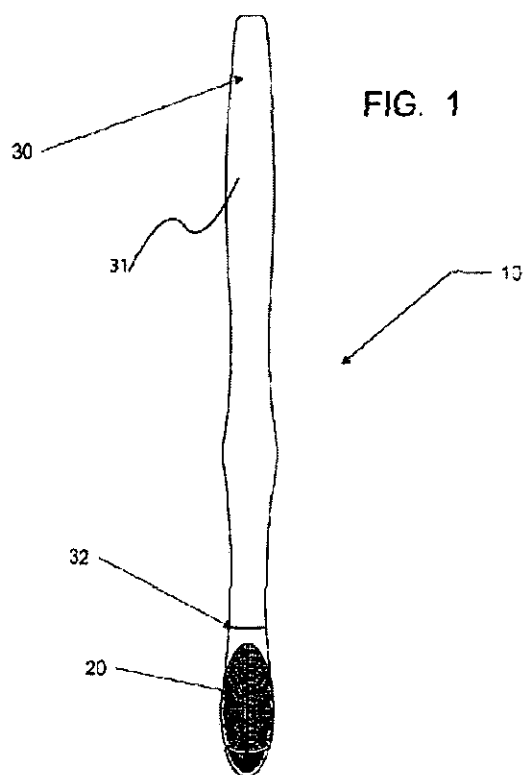


## ABSTRACT

A tooth cleaning device comprising a handle, and a pad coupled to the handle, wherein the pad has a front face, a back face and a plurality of side walls. There are a plurality of different areas disposed on the FIG. 1 front face of the pad comprising a first area comprising a first set of protrusions, in a substantially semi-spherical shape, and a second area comprising a second set of protrusions in a substantially conical shape. There is also a third area of protrusions formed as a substantially conical shape, and a fourth area of protrusions formed as a substantially semi-spherical shape. The device can be formed as a pad which collapses voluntarily under pressure. The pad can be made from any suitable material such as any type of rubber or plastic.



21. The device as in claim 18, further comprising a handle coupled to said pad, and reservoir disposed behind a front face of the pad and between said pad and said handle, wherein the reservoir is configured to receive a toothpaste, and wherein said pad has at least one hole configured for fluid flow of said toothpaste.

22. The device as in claim 18, further comprising a handle with said pad coupled to said handle, wherein the device further comprises:

at least one vibrating mechanism;

at least one battery configured to drive said vibrating mechanism, wherein when said vibrating mechanism is on the pad is configured to vibrate.

23. The device as in claim 18, further comprising a handle with said pad coupled to said handle at a first end, and the device further comprising at least one additional pad coupled to an opposite end of said handle.

Dated this 23<sup>rd</sup> day of October, 2013



MOHAN DEWAN

OF R. K DEWAN & CO

APPLICANTS' PATENT ATTORNEY