



(51) International Patent Classification:

A42B 1/24 (2006.01) A42B 3/08 (2006.01)
A42B 3/04 (2006.01)

(21) International Application Number:

PCT/US2018/022222

(22) International Filing Date:

13 March 2018 (13.03.2018)

(25) Filing Language:

English

(26) Publication Language:

English

(30) Priority Data:

62/470,508 13 March 2017 (13.03.2017) US

(71) Applicant: GENTEX CORPORATION [US/US]; 324 Main Street, Simpson, PA 18407 (US).

(72) Inventor: O'CONNELL, Jason, W.; 965 King Street, Raynham, MA 02767 (US).

(74) Agent: MILANO, Mario, T. et al.; Morgan, Lewis, & Bockius LLP, 1701 Market Street, Philadelphia, PA 19103 (US).

(81) Designated States (unless otherwise indicated, for every kind of national protection available): AE, AG, AL, AM, AO, AT, AU, AZ, BA, BB, BG, BH, BN, BR, BW, BY, BZ, CA, CH, CL, CN, CO, CR, CU, CZ, DE, DJ, DK, DM, DO, DZ, EC, EE, EG, ES, FI, GB, GD, GE, GH, GM, GT, HN,

HR, HU, ID, IL, IN, IR, IS, JO, JP, KE, KG, KH, KN, KP, KR, KW, KZ, LA, LC, LK, LR, LS, LU, LY, MA, MD, ME, MG, MK, MN, MW, MX, MY, MZ, NA, NG, NI, NO, NZ, OM, PA, PE, PG, PH, PL, PT, QA, RO, RS, RU, RW, SA, SC, SD, SE, SG, SK, SL, SM, ST, SV, SY, TH, TJ, TM, TN, TR, TT, TZ, UA, UG, US, UZ, VC, VN, ZA, ZM, ZW.

(84) Designated States (unless otherwise indicated, for every kind of regional protection available): ARIPO (BW, GH, GM, KE, LR, LS, MW, MZ, NA, RW, SD, SL, ST, SZ, TZ, UG, ZM, ZW), Eurasian (AM, AZ, BY, KG, KZ, RU, TJ, TM), European (AL, AT, BE, BG, CH, CY, CZ, DE, DK, EE, ES, FI, FR, GB, GR, HR, HU, IE, IS, IT, LT, LU, LV, MC, MK, MT, NL, NO, PL, PT, RO, RS, SE, SI, SK, SM, TR), OAPI (BF, BJ, CF, CG, CI, CM, GA, GN, GQ, GW, KM, ML, MR, NE, SN, TD, TG).

Published:

— with international search report (Art. 21(3))

(54) Title: HELMET MOUNTED SHROUD

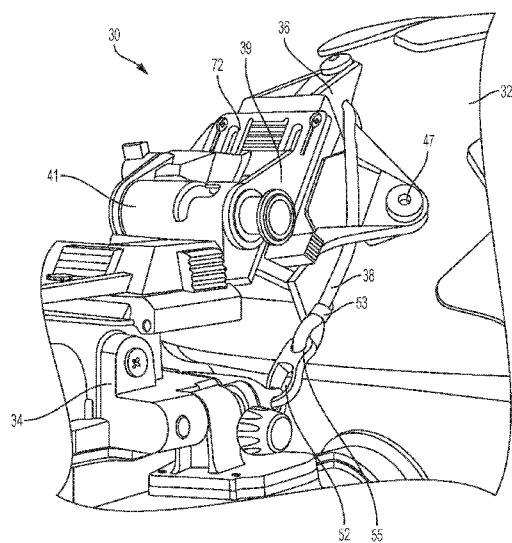


FIG. 1

(57) Abstract: A retention system comprises a shroud configured to be coupled to a helmet. The shroud includes a front surface and a rear surface and the shroud is configured to be coupled to an accessory device. A flexible element is coupled to the shroud and configured to at least partially secure the accessory device to the shroud. The flexible element extends through the front surface of the shroud.



TITLE OF THE INVENTION

[0001] Helmet Mounted Shroud

CROSS-REFERENCE TO RELATED APPLICATIONS

[0002] This application claims the benefit of U.S. Provisional Patent Application No. 62/470,508 filed March 13, 2017 entitled "Helmet Mounted Shroud", which is incorporated by reference herein in its entirety.

BACKGROUND OF THE INVENTION

[0003] The present invention relates to a helmet mounted shroud and, more particularly, to a helmet mounted shroud that includes a retention device.

10 [0004] Helmets may be worn for protection in a variety of settings including recreational use such as rock climbing or used in industry such as by military, firefighter, construction, manufacturing, or police personnel. It is sometimes desirable to have an accessory mounted to the helmet such as a pair of night vision goggles (NVG), camera, face shield, light, battery, or mask. The accessory device may be moveable between a stowed position and a use position. Traditional
15 helmet systems do not offer many options for maintaining the accessory device in either the stowed position or the use position.

[0005] An improved shroud for maintaining the position of the accessory device is desired.

BRIEF SUMMARY OF THE INVENTION

[0006] In one embodiment, a retention system comprises a shroud configured to be coupled to a helmet. The shroud may include a front surface and a rear surface and the shroud may be
20 configured to be coupled to an accessory device. A flexible element may be coupled to the shroud and configured to at least partially secure the accessory device to the shroud. The flexible element may extend through the front surface of the shroud. The shroud may include a groove and a portion of the flexible element may be within the groove. A first section of the groove may be adjacent the
25 rear surface of the shroud and a second section of the groove may be adjacent the front surface of the shroud. The rear surface of the shroud may be configured to be positioned adjacent to the helmet when the shroud is coupled to the helmet.

[0007] In a further embodiment, the retention system includes a helmet and a portion of the flexible element may be positioned between the rear surface of the shroud and the helmet when the
30 flexible element may be within the groove. The shroud may include a crown including a crown

groove, a first strut including a first groove, and a second strut including a second groove. The crown groove, the first groove, and the second groove may each be configured to receive a portion of the flexible element. The crown groove may be on the rear surface of the shroud and the first groove may be on the front surface of the shroud. The second groove may be on the front surface of the shroud. The flexible element may include a fastener configured to be detachably coupled to the accessory device.

[0008] In a further embodiment, the retention system may include a receiver configured to receive the fastener when the fastener is detached from the accessory device. The receiver may comprise a recess in at least one of a front surface and the rear surface of the shroud. The fastener may comprise at least one of a hook and a carabiner configured to couple to the accessory device. The flexible element may comprise an elastomeric element. A single flexible element may be positioned on more than one side of the shroud. The accessory device may comprise at least one of night vision goggles, a camera, and a light. The flexible element may be configured to laterally stabilize the accessory device. The flexible element may comprise a woven sheath at least partially surrounding a strand of elastomeric material. The woven sheath may comprise nylon. The flexible element may include a fastener on opposing ends of the flexible element.

BRIEF DESCRIPTION OF THE SEVERAL VIEWS OF THE DRAWINGS

[0009] The following detailed description of embodiments of the helmet mounted shroud will be better understood when read in conjunction with the appended drawings of an exemplary embodiment. It should be understood, however, that the invention is not limited to the precise arrangements and instrumentalities shown. For example, although not expressly stated herein, features of one or more various disclosed embodiments may be incorporated into other of the disclosed embodiments.

[0010] In the drawings:

[0011] Fig. 1 is a front perspective view of a retention system with an attached accessory device in a use position in accordance with an exemplary embodiment of the present invention;

[0012] Fig. 2 is a front perspective view of the retention system of Fig. 1 with the attached accessory device in a stowed position;

[0013] Fig. 3 is a front elevational view of a shroud in accordance with an exemplary embodiment of the present invention;

[0014] Fig. 4 is a side, perspective view of the shroud of Fig. 3;

[0015] Fig. 5 is a rear, elevational view of the shroud of Fig. 3;

[0016] Fig 6 is a top, rear, perspective view of the shroud of Fig. 3;

[0017] Fig. 7 is a front elevational view of a shroud in accordance with another exemplary embodiment of the present invention;

5 [0018]

[0019] Fig. 8 is a rear elevational view of the shroud of Fig. 7;

[0020] Fig. 9 is a front, side perspective view of the shroud of Fig. 7;

[0021] Fig. 10 is a front, bottom perspective view a retention system including the shroud of Fig. 7;

10 [0022] Fig. 11 is a rear, bottom perspective view of the retention system of Fig. 10; and

[0023] Fig. 12 is a front perspective view of the shroud of Fig. 10 coupled to a helmet.

DETAILED DESCRIPTION OF THE INVENTION

[0024] Referring to the drawings in detail, wherein like reference numerals indicate like elements throughout, there is shown in Figs. 1-6 a retention system, generally designated 30, in accordance with an exemplary embodiment of the present invention.

[0025] Referring to Figs. 1-2, the retention system 30 may be configured to secure an accessory device 34 to a structure such as a helmet 32. The accessory device 34 may be, for example but not limited to, a night vision goggle (NVG), binoculars, a light, a telescope, helmet mounted displays, visors, maxillofacial shields, thermal sight, or a camera. The retention system 30 may include a shroud 36 configured to be attached to the helmet 32. The accessory device 34 may be moveable with respect to the shroud 36 between a stowed position (Fig. 2) and a use position (Fig. 1). The retention system 30 may include a retention element 38 coupled to the shroud 36. The shroud 36 may be configured to be positioned on a front portion of the helmet 32. The accessory device 34 may be positioned in front of a user's face or eyes in the use position.

[0026] Referring to Figs. 1-2, the retention element 38 may be configured to at least partially secure the accessory device 34 to the shroud 36. The retention element 38 may be a flexible element. The retention element 38 may be a flexible element having a fixed length such as a rope, wire, or string. The retention element 38 may be an elastomeric element configured to resiliently expand and contract as the accessory device moves (e.g., between the stowed position and the use position). The retention element 38 may be a cord, bungee, bungie, rope, or string. The retention element 38 may be configured to stretch beyond its original length by about 50% to about 500%,

about 100% to about 300%, or up to about 200%. The retention element 38 may stabilize the accessory device 34 (*e.g.*, laterally) by being stretched when the accessory device 34 is in the stowed position or the use position.

5 [0027] The retention element 38 may include a fastener 52 configured to engage the accessory device 34. The fastener 52 may be configured to detachably engage the accessory device 34. The fastener 52 may include a hook, a carabiner, a latch, a hook with spring latch, a spring latch, a magnet, or a cabin hook latch. The fastener 52 may be configured to engage an opening, loop, or receiver on the accessory device 34. The retention element 38 may include a strand or strands of an elastomeric material with a woven sheath over the elastomeric material. The sheath may be
10 manufactured from nylon. The retention element 38 may have a diameter of about 0.125 inches. In other embodiments, the diameter of the retention element 38 may be up to about 0.75 inches.

[0028] The retention element 38 may include a fastener 52 on opposing ends of the retention element 38. The retention element 38 may include a length between the fasteners 52 of about 3 inches to about 8 inches, about 5 inches to about 6 inches, or about 5.5 inches. The retention
15 element 38 may pass through an aperture 55 in the fastener 52 and the retention element 38 may be attached to itself with a crimped sleeve 53 (Figs. 1-2 and 10). The fastener 52 may include a channel configured to receive a free end of the retention element 38 and the channel may be crimped to secure the free end within the channel (not shown). The fastener may include a wire hook and the wire may be coiled to form the channel such that the hook and the channel are a unitary construct.
20 The fastener 52 may include adhesive or tape securing the retention element 38 to the fastener or to itself. The retention element 38 may include any number of fasteners 52 along the length of the retention element 38. The retention system 30 may include a plurality of retention elements 38 and each retention element may be configured to at least partially secure the accessory device 34 to the shroud 36. The retention system 30 may include a single retention element 38 adjacent more than
25 one side (*e.g.*, opposing sides) of the shroud 36. The characteristics of the retention element 38 (*e.g.*, length, width, strength) may be selected according to the characteristics (*e.g.*, weight, location of the attachment feature) of the accessory device 34.

[0029] In one embodiment, the retention element 38 may be coupled to the shroud 36 by weaving through features of the shroud 36. In other embodiments, the retention element 38 may be
30 fastened to the shroud 36 by a fastener and/or adhesive. A single retention element 38 may be provided with a fastener 52 on each end. In other embodiments, two separate retention elements 38 are provided with one end attached to the shroud and the other free end having a fastener 52.

[0030] Turning now to Figs. 3-5, the shroud 36 may include a groove 54 configured to receive at least a portion of the retention element 38. The groove 54 may include a groove formed in one or more sides of the shroud 36 (*e.g.*, left and right sides, front and back sides or surfaces). The groove 54 may be open to an exterior of the shroud 36. The groove 54 may be enclosed such that the groove includes a tunnel through one or more portions of the shroud 36. The groove 54 may include a combination of grooves and tunnels. The groove 54 may include one or more clips coupled to a surface of the shroud 36. The groove 54 may have a semicircular cross-sectional shape (Fig. 4). The width of the groove 54 may be selected based on the width of the retention element 38. The shroud 36 may have a thickness at the groove 54 of about 2 millimeters to about 4 millimeters. The shroud 36 may have a thickness adjacent the groove 54 of about 2 millimeters to about 6 millimeters. The width of the groove 54 may be selected such that the retention element may be pulled away from the groove 54 without interference from the sidewalls of the groove 54. The width of the groove 54 may be selected such that the retention element 38 and the groove 54 have a snap-fit engagement. The groove 54 may include rounded or chamfered edges to reduce wear on the retention element 38.

[0031] The groove 54 may include a first section adjacent a first side 56 of the shroud 36 and a second section adjacent a second side 62 of the shroud 36. The first side 56 and the second side 62 may be opposing sides of the shroud. The first side 56 may be a rear surface of the shroud 36. The second side 62 may be a front surface of the shroud 36. The retention element 38 may extend through the front surface of the shroud 36. An opening 45 may extend from the front surface to the rear surface of the shroud 36. The retention element 38 may extend through the opening 45 when the retention element 38 is within the groove 54. The shroud 36 and the retention element 38 may be provided together. A kit may include a shroud 36 and a plurality of retention elements 38. The kit may include a plurality of retention elements 38 of different size, length, or thickness. In other embodiments, the shroud 36 and retention element 38 may each be provided separately.

[0032] The shroud 36 may include a crown 40, a first wing 42, and a second wing 44. The first wing 42 and the second wing 44 may be on opposing sides of the shroud 36. The shroud 36 may be configured to be coupled to the helmet 32. In one embodiment, each of the crown 40, first wing 42, and second wing 44 include a port 46 configured to receive an anchor 47 (anchor shown in Fig. 1). The anchor may be a screw, bolt, rivet, nail, or heat stake. The port 46 may be threaded to receive a threaded anchor. The ports 46 may be arranged to follow a bolt pattern on the helmet 32. The first side 56 of the shroud 36 may be defined by a radius of curvature 57 (best seen in Fig. 6) configured to approximate an outer radius of a helmet 32. The shroud 36 may be flexible such that the shroud

36 can adapt to the exterior surface of a selected helmet or other structure which the shroud 36 is coupled to.

5 **[0033]** Turning to Figs. 4-5, the groove 54 may be included in one or more of the crown 40, the first wing 42, and the second wing 44. The crown 40 may include a crown groove 58 open to the first side 56 of the crown 40. The crown 40 may include a crown opening 60 extending from the first side 56 to a second side 62 of the crown 40. The crown groove 58 may be formed on opposing sides of the crown opening 60. The retention element 38 may be visible through the crown opening 60 when the retention element 38 is within the crown groove 58. The crown opening 60 may include a perimeter 64. The retention element 38 may extend across the opening 60 when the
10 retention element 38 is within the crown groove 58.

[0034] Still referring to Figs. 4-5, the first wing 42 and the second wing 44 may each include a first strut 48 and a second strut 50. The groove 54 may include a first section or first groove 66 on the first strut 48. The first groove 66 may be on or adjacent the second side 62 of the first strut 48. The groove 54 may include a second section or second groove 68 on the second strut 50. The
15 second groove 68 may be on or adjacent the first side 56 of the second strut 50. In one embodiment, the first groove 66 and the second groove 68 are on the same side of the first strut 48 and the second strut 50. In another embodiment, the first groove 66 and the second groove 68 are on differing sides of the first strut 48 and the second strut 50. In one embodiment, the first groove 66 and the crown groove 58 are on the same side of the shroud 36. In one embodiment, the second groove 68 and the
20 crown groove 58 are on the same side of the shroud 36. In one embodiment, the first groove 66 and the crown groove 58 are on different sides of the shroud 36. In one embodiment, the second groove 68 and the crown groove 58 are on different sides of the shroud 36. The different sides may be front and back sides. Each of the crown groove 58, the first groove 66, and the second groove 68 may be configured to receive at least a portion of the retention element 38. The retention element 38 may be
25 positioned within the groove 54, including the crown groove 58, the first groove 66, and the second groove 68, and be positioned on different or opposing sides of the shroud 36 when at least one of the crown groove 58, the first groove 66, and the second groove 68 are on a different or opposing side of the shroud 36 than another of the crown groove 58, the first groove 66, and the second groove 68. The retention element 38 may at least partially wrap around one of the first strut 48 and the second
30 strut 50 as the accessory device 34 moves between the stowed position and the use position. A portion of the retention element 38 may be positioned between the helmet 32 and the shroud 36 when the retention element is within the groove 54.

[0035] Turning to Figs. 1-3, the shroud 36 may include a body 70 configured to receive a plate 72. The plate 72 may be configured to engage the accessory device 34. The plate 72 may include an engagement feature (*e.g.*, a rack, a hook, an aperture) to mate with a corresponding feature on the accessory device 34 to secure the accessory device 34 to the shroud 36. The plate 72 may include a first overhang 90 and a second overhang 92. The first overhang 90 and the second overhang 92 may each include a recess configured to receive a portion of a shoe 39. The shoe 39 may include a latch or a retractable engagement feature such that the shoe 39 can be detachably coupled to the first overhang 90 and the second overhang 92 while the plate 72 and shroud 36 are coupled to the helmet 32. The shoe 39 may be configured to be coupled to an accessory device arm 41. The accessory device arm 41 may be configured to be attached to the accessory device 34. The accessory device 34 may be coupled to the helmet 32 such that an order of coupling elements includes the helmet 32, the shroud 36, the plate 72, the shoe 39, the accessory device mounting arm 41 and the accessory device 34.

[0036] A coupling element 82 may at least temporarily secure the plate 72 to the shroud 36. The coupling element 82 may include a screw, a bolt, a dowel, or an expandable anchor. The plate 72 may include a plate opening 84 configured to receive the coupling element 82. The body 70 of the shroud 36 may include a body opening 86 configured to receive the coupling element 82. In one embodiment, one or more of the plate opening 84 and the body opening 86 are threaded to mesh with a threaded coupling element 82. The shroud 36 may include a first opening or the port 46 configured to receive the helmet anchor 47 and a second opening or the body opening 86 configured to receive the coupling element 82.

[0037] Referring to Figs. 7-15, there is shown another embodiment of a shroud 96. The shroud 96 is similar to shroud 36 as both may include a groove 54 configured to receive the retention element 38. The shroud 96 may include a receiver 98 configured to receive the fastener 52 when the fastener 52 is detached from the accessory device 34. The receiver 98 may include a hook, a recess, a loop, or a magnet configured to at least temporarily engage the fastener 52. The structure or design of the receiver 98 may be selected based on the fastener 52. In one embodiment, the receiver 98 includes a first recess 100 on the first side 56 of the shroud 96 (Fig. 8). The first recess 100 may have a perimeter defined by one or more sidewalls 104. In one embodiment, the receiver 98 includes a second recess 102 on the second side 62 of the shroud 96 (Fig. 9). The second recess 102 may have a perimeter defined by one or more sidewalls 106. The first recess 100 and the second recess 102 may each include a groove, a slot, or a portion of the shroud 96 having a reduced thickness compared to an adjacent portion of the shroud. The fastener 52 may engage one or both of

the first recess 100 and the second recess 102 when the fastener 52 is engaged with the receiver 98 (Figs. 10-12). A portion of the fastener 52 may be positioned between the shroud 96 and the helmet 32 when the fastener 52 engages the receiver 98. The retention element 38 may be self-contained by the shroud 96 when the retention element 38 is not connected to the accessory device 34. The
5 retention element 38 may be engaged with only the shroud 96 when the retention element is not connected to the accessory device 34.

[0038] It will be appreciated by those skilled in the art that changes could be made to the exemplary embodiments shown and described above without departing from the broad inventive concepts thereof. It is understood, therefore, that this invention is not limited to the exemplary
10 embodiments shown and described, but it is intended to cover modifications within the spirit and scope of the present invention as defined by the claims. For example, specific features of the exemplary embodiments may or may not be part of the claimed invention and various features of the disclosed embodiments may be combined. The words “right”, “left”, “lower” and “upper” designate directions in the drawings to which reference is made. The words “inwardly” and “outwardly” refer
15 to directions toward and away from, respectively, the geometric center of the retention system. Unless specifically set forth herein, the terms “a”, “an” and “the” are not limited to one element but instead should be read as meaning “at least one”.

[0039] It is to be understood that at least some of the figures and descriptions of the invention have been simplified to focus on elements that are relevant for a clear understanding of the
20 invention, while eliminating, for purposes of clarity, other elements that those of ordinary skill in the art will appreciate may also comprise a portion of the invention. However, because such elements are well known in the art, and because they do not necessarily facilitate a better understanding of the invention, a description of such elements is not provided herein.

[0040] Further, to the extent that the methods of the present invention do not rely on the
25 particular order of steps set forth herein, the particular order of the steps should not be construed as limitation on the claims. Any claims directed to the methods of the present invention should not be limited to the performance of their steps in the order written, and one skilled in the art can readily appreciate that the steps may be varied and still remain within the spirit and scope of the present
invention.

30

CLAIMS

I/we claim:

1. A retention system comprising:
a shroud configured to be coupled to a helmet, the shroud including a front surface and a rear
5 surface, wherein the shroud is configured to be coupled to an accessory device; and
a flexible element coupled to the shroud and configured to at least partially secure the
accessory device to the shroud, the flexible element extending through the front surface of the
shroud.
- 10 2. The retention system of claim 1, wherein the shroud includes a groove and a portion of the
flexible element is within the groove.
3. The retention system of claim 2, wherein a first section of the groove is adjacent the rear
surface of the shroud and a second section of the groove is adjacent the front surface of the shroud.
15
4. The retention system of claim 3, wherein the rear surface of the shroud is configured to be
positioned adjacent to the helmet when the shroud is coupled to the helmet.
5. The retention system of claim 2, further comprising:
20 a helmet,
wherein a portion of the flexible element is positioned between the rear surface of the shroud
and the helmet when the flexible element is within the groove.
6. The retention system of claim 1, wherein the shroud comprises:
25 a crown including a crown groove;
a first strut including a first groove; and
a second strut including a second groove,
wherein the crown groove, the first groove, and the second groove are each configured to
receive a portion of the flexible element.

7. The retention system of claim 6, wherein the crown groove is on the rear surface of the shroud, and
wherein the first groove is on the front surface of the shroud.

5

8. The retention system of claim 7, wherein the second groove is on the front surface of the shroud.

9. The retention system of claim 1, wherein the flexible element includes a fastener configured
10 to be detachably coupled to the accessory device.

10. The retention system of claim 9, further comprising a receiver configured to receive the fastener when the fastener is detached from the accessory device.

15 11. The retention system of claim 10, wherein the receiver comprises a recess in at least one of a front surface and the rear surface of the shroud.

12. The retention system of claim 9, wherein the fastener comprises at least one of a hook and a carabiner configured to couple to the accessory device.

20

13. The retention system of claim 1, wherein the flexible element comprises an elastomeric element.

14. The retention system of claim 1, wherein a single flexible element is positioned on more than
25 one side of the shroud.

15. The retention system of claim 1, wherein the accessory device comprises at least one of night vision goggles, a camera, and a light.

16. The retention system of claim 1, wherein the flexible element is configured to laterally stabilize the accessory device.
- 5 17. The retention system of claim 1, wherein the flexible element comprises a woven sheath at least partially surrounding a strand of elastomeric material.
18. The retention system of claim 17, wherein the woven sheath comprises nylon.
- 10 19. The retention system of claim 1, wherein the flexible element comprises a fastener on opposing ends of the flexible element.

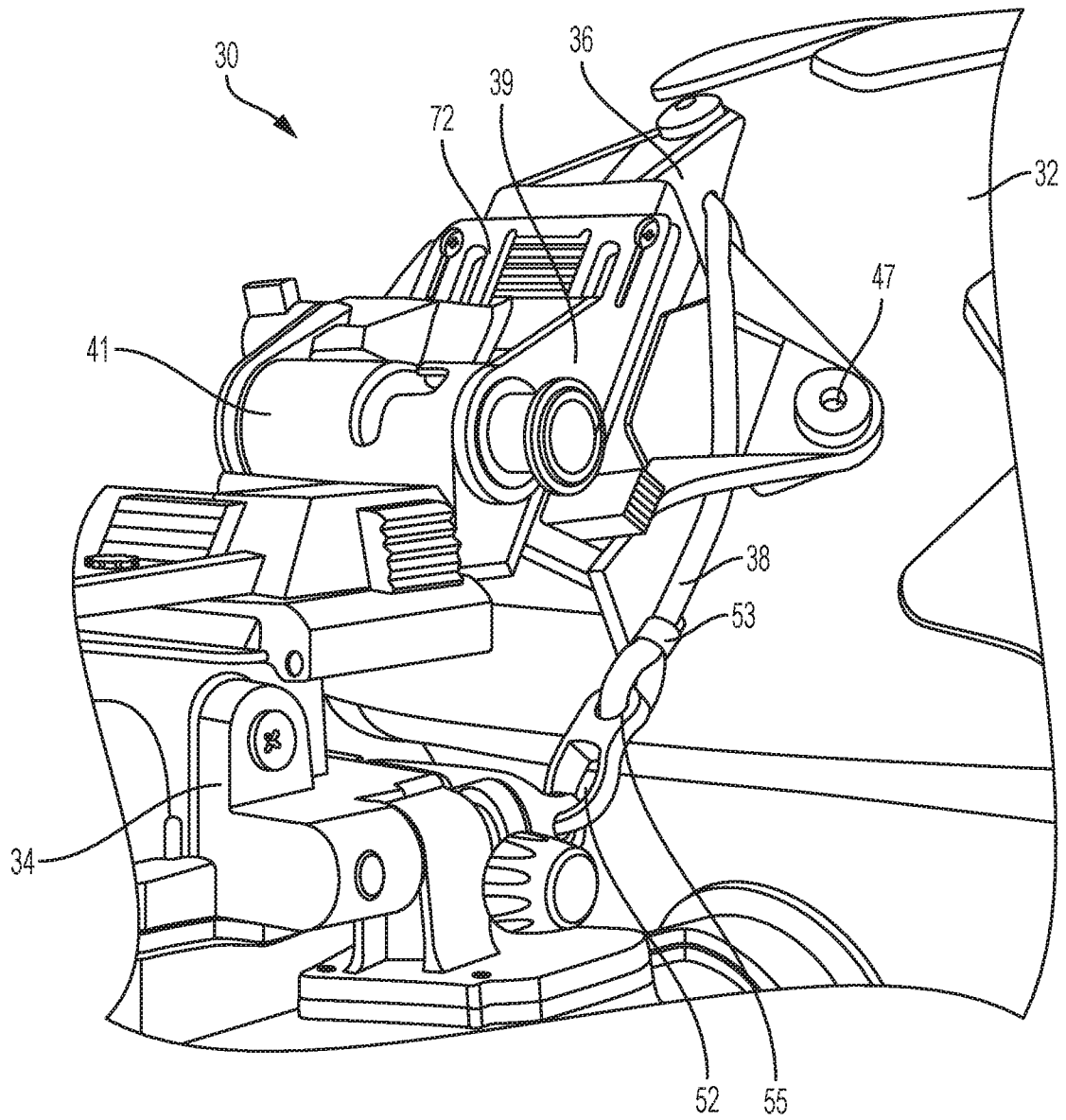


FIG. 1

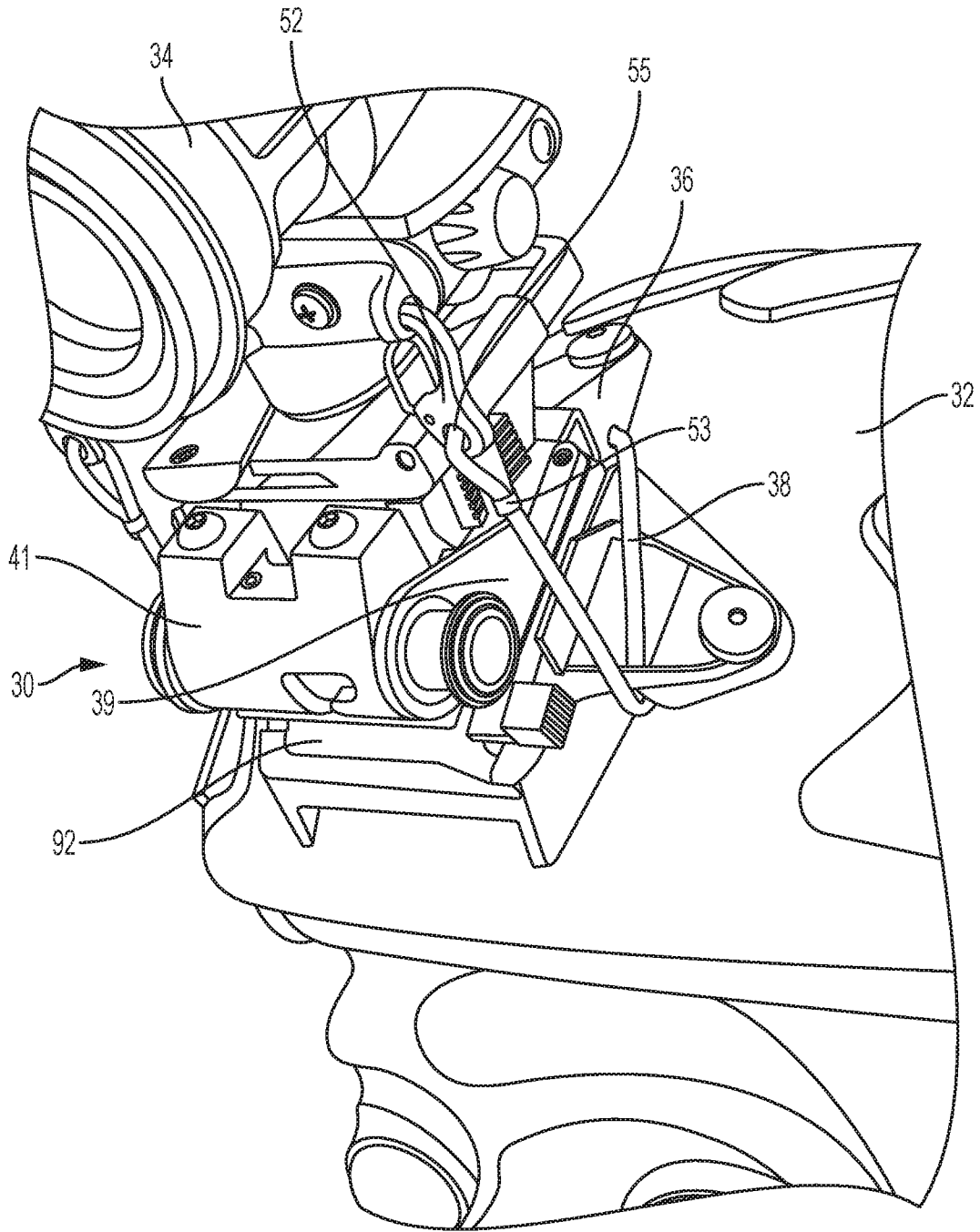


FIG. 2

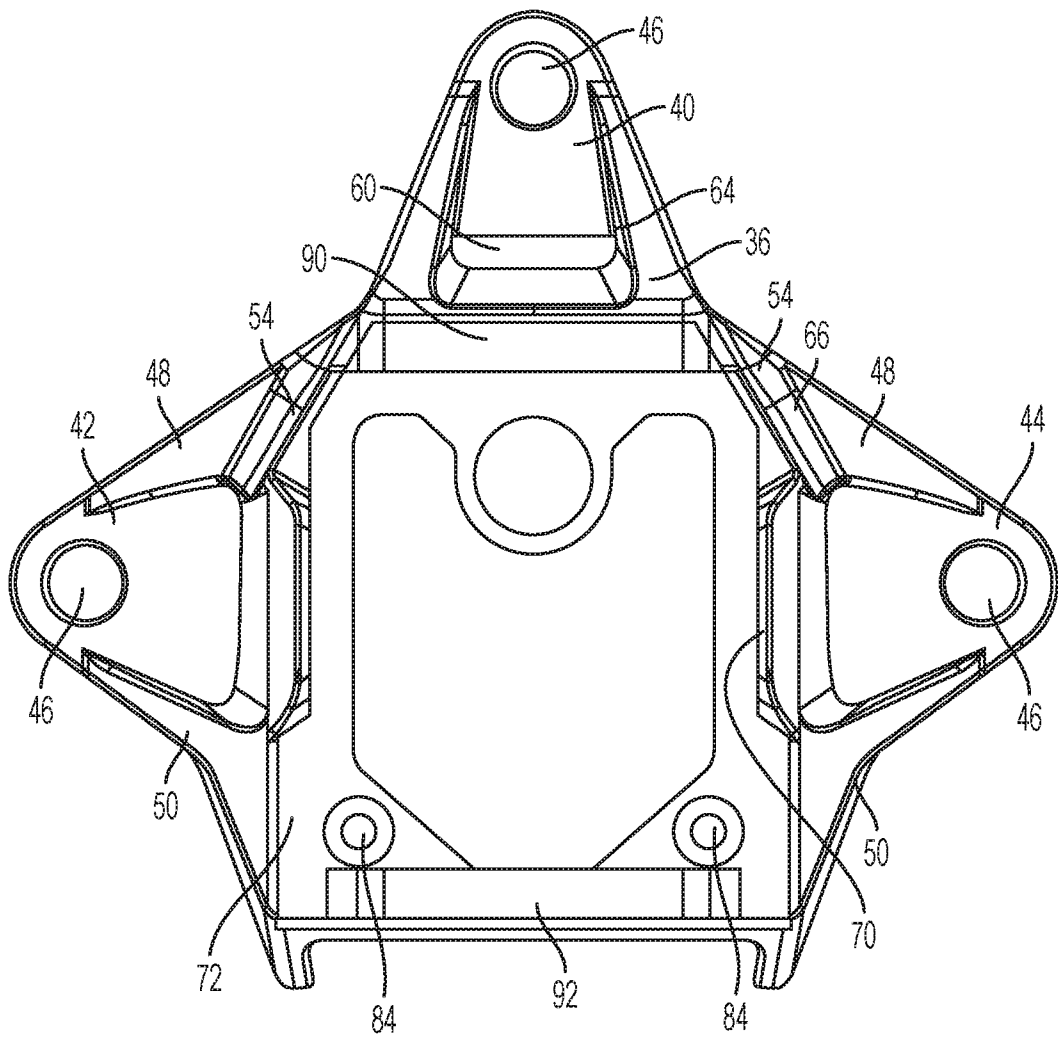


FIG. 3

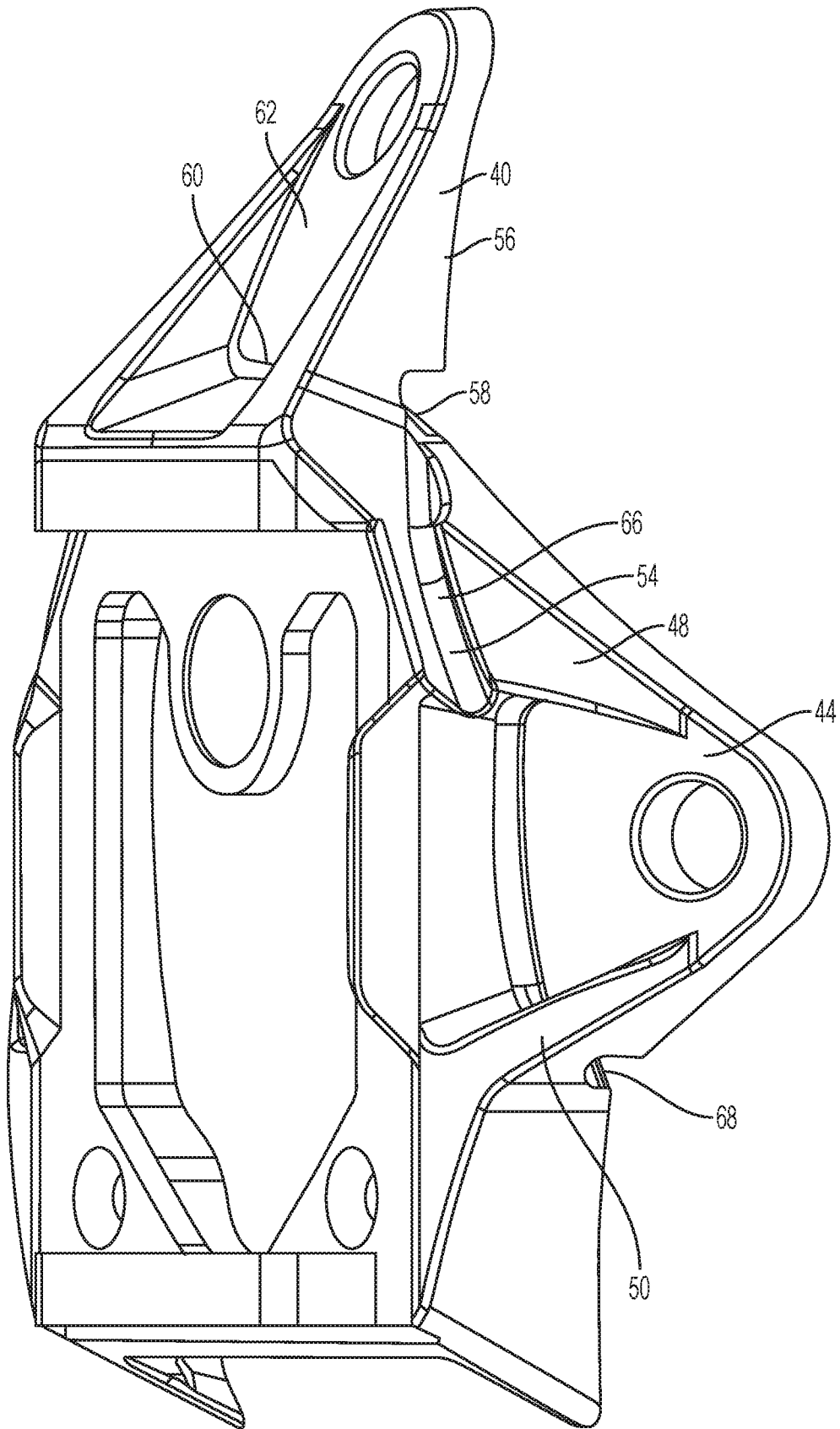


FIG. 4

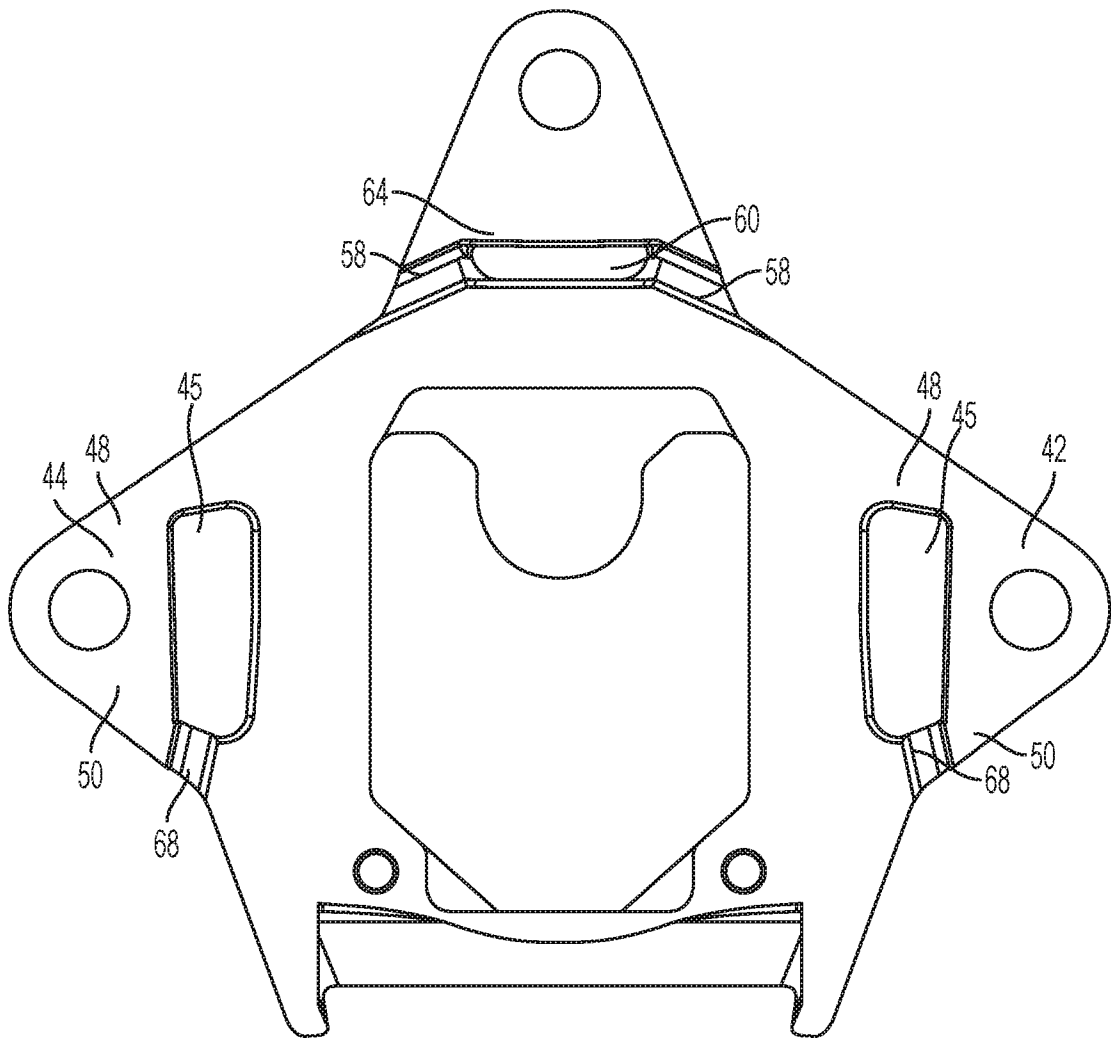


FIG. 5

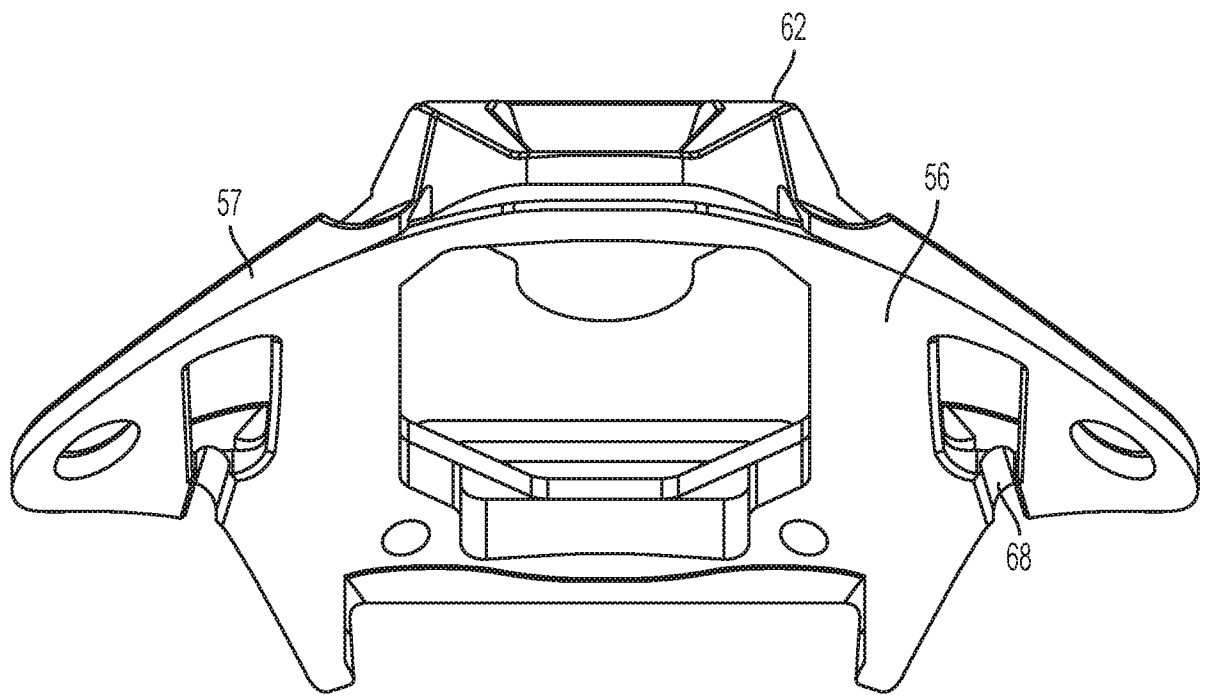


FIG. 6

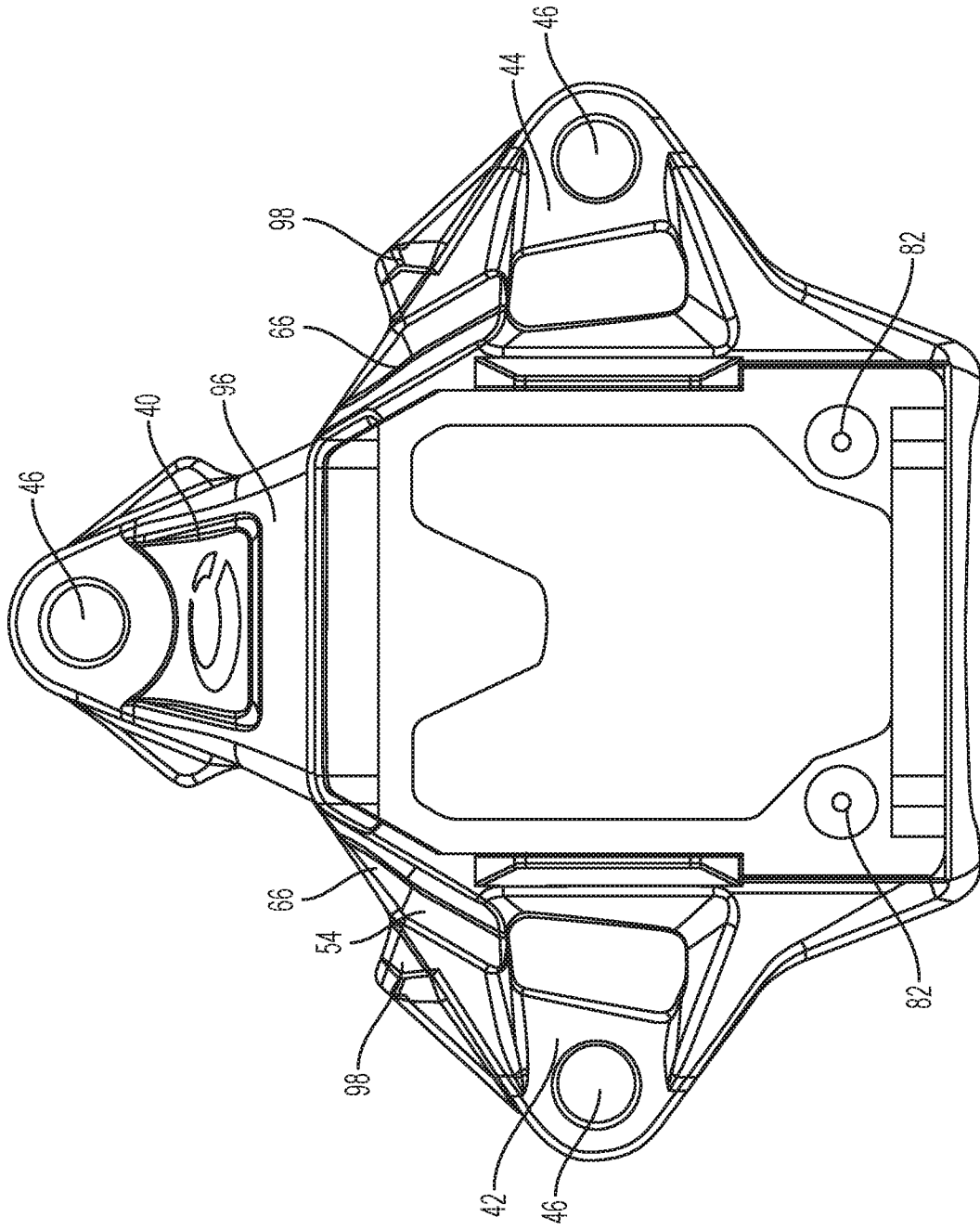


FIG. 7

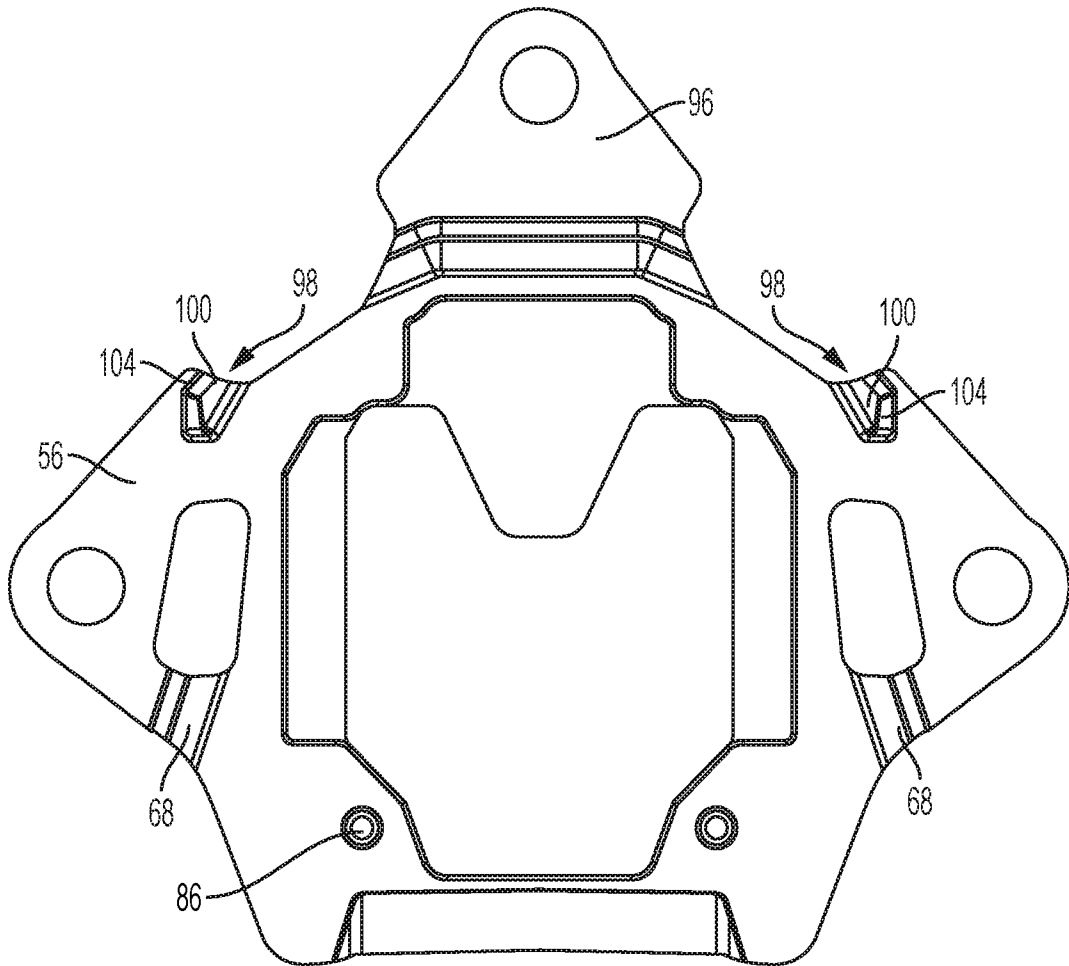


FIG. 8

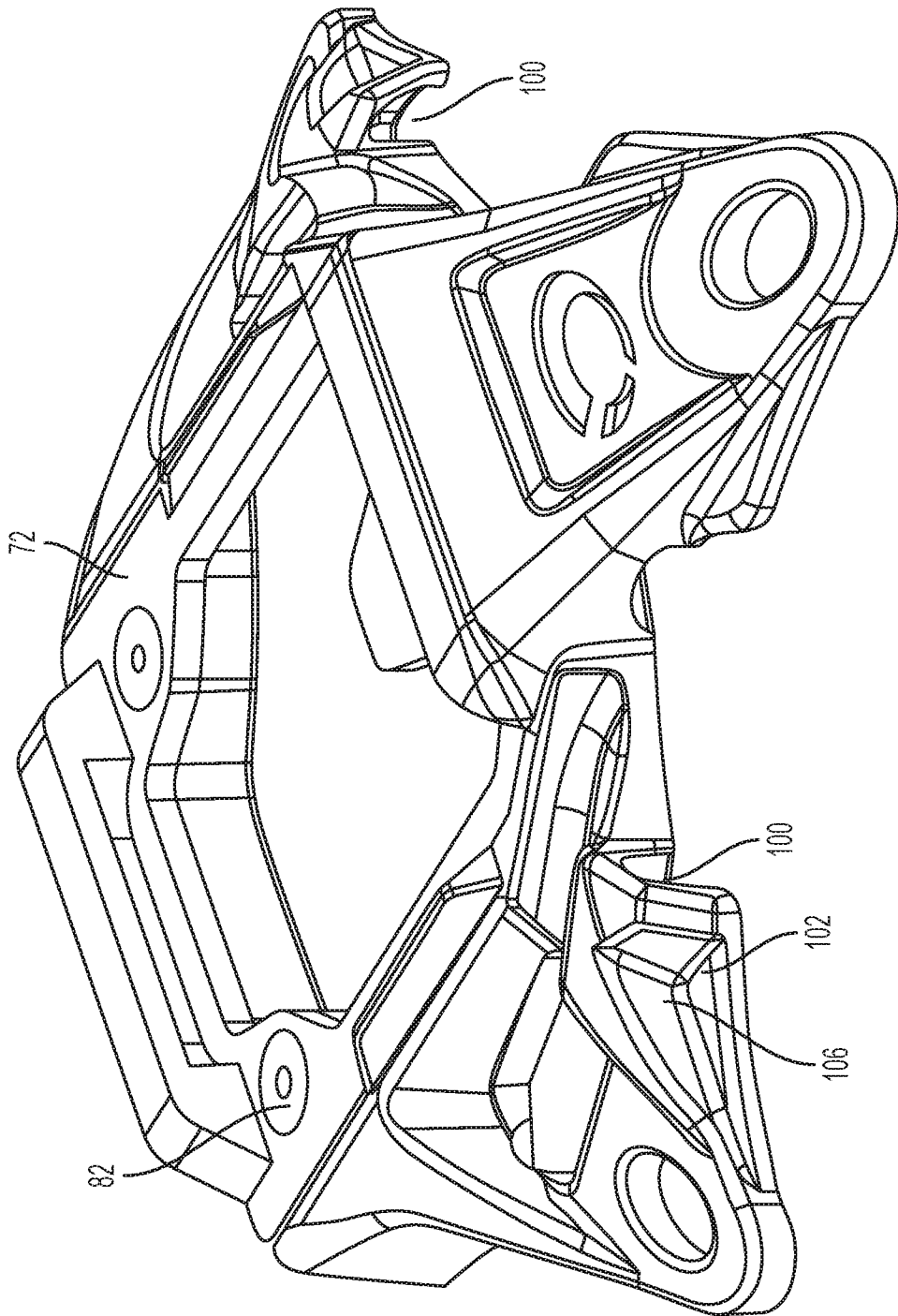


FIG. 9

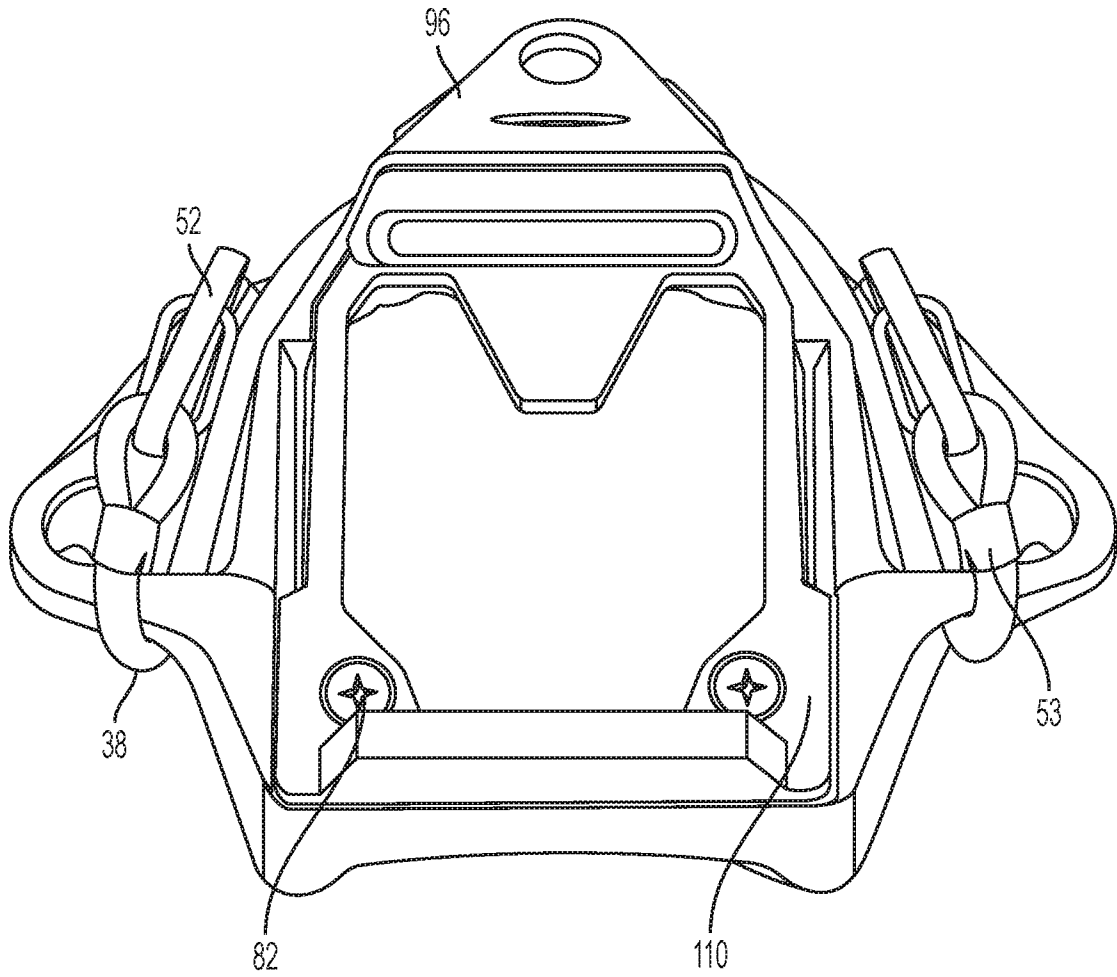


FIG. 10

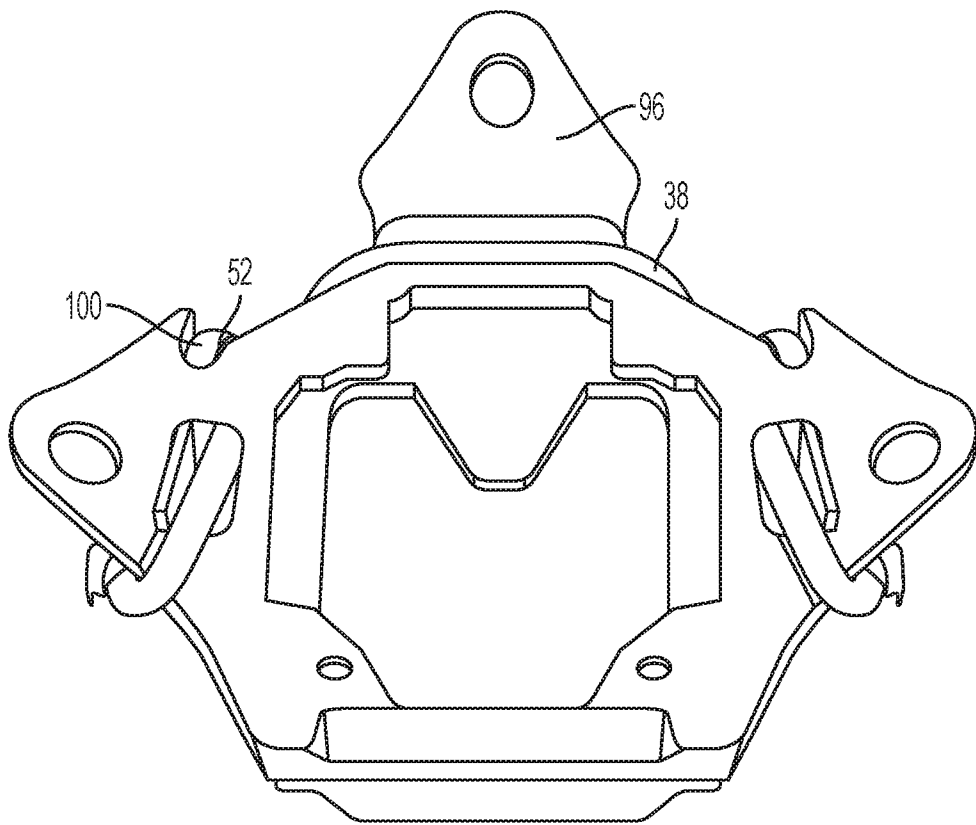


FIG. 11

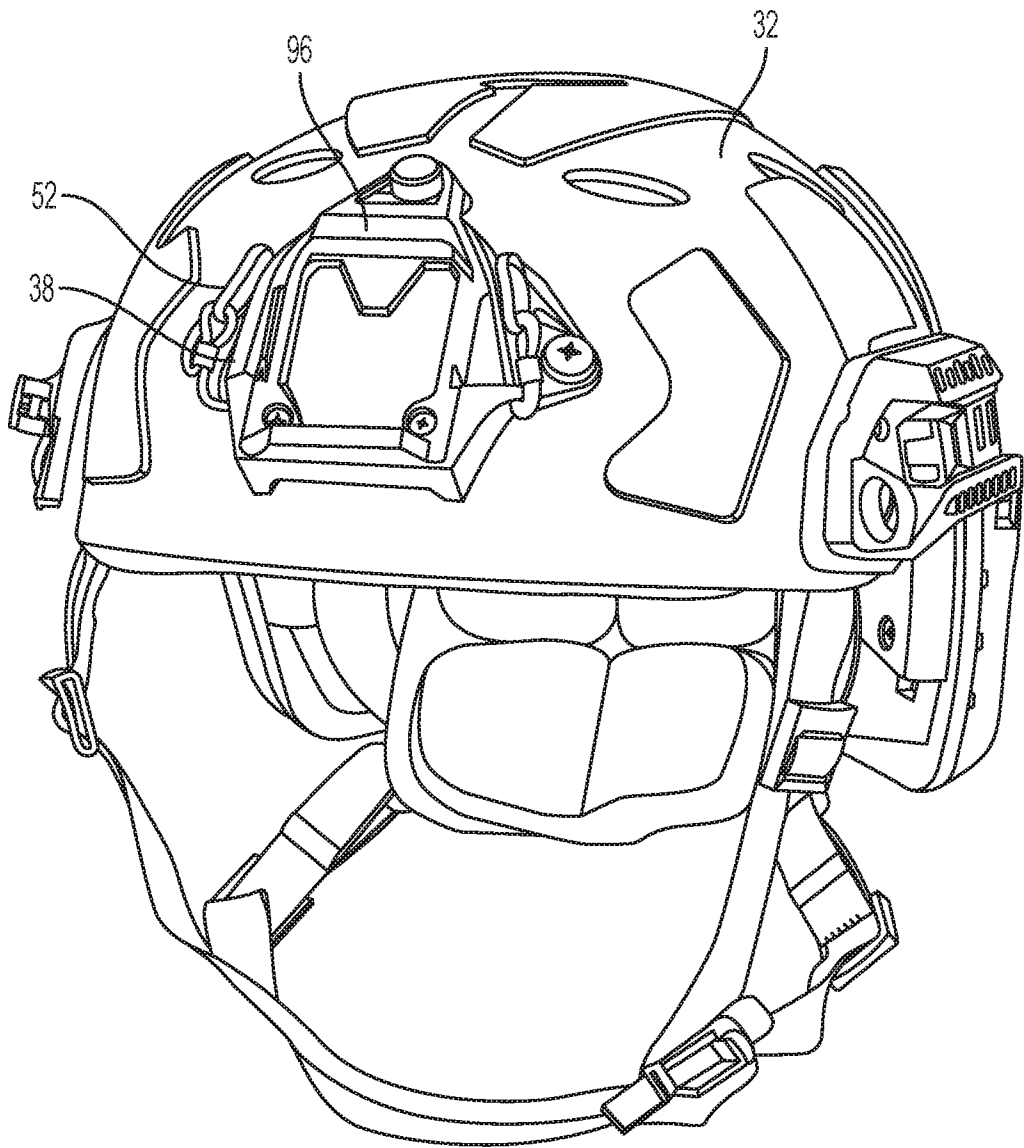


FIG. 12

INTERNATIONAL SEARCH REPORT

International application No.
PCT/US18/22222

A. CLASSIFICATION OF SUBJECT MATTER
 IPC - A42B 1/24, 3/04, 3/042, 3/08, 3/228, 3/185 (2018.01)
 CPC - A42B 1/24, 3/04, 3/042, 3/08, 3/228, 3/185

According to International Patent Classification (IPC) or to both national classification and IPC

B. FIELDS SEARCHED

Minimum documentation searched (classification system followed by classification symbols)
 See Search History document

Documentation searched other than minimum documentation to the extent that such documents are included in the fields searched
 See Search History document

Electronic data base consulted during the international search (name of data base and, where practicable, search terms used)
 See Search History document

C. DOCUMENTS CONSIDERED TO BE RELEVANT

Category*	Citation of document, with indication, where appropriate, of the relevant passages	Relevant to claim No.
X --- Y	US 2010/0012692 A1 (HARRIS, C et al.) 21 January 2010; Figures 1, 2, 5, 8, 10, 11, Paragraphs [0015], [0020], [0039], [0040]	1-16, 19 ----- 17, 18
Y	US 3130630 A (DAWES, R) 28 April 1964; Figure 1, Column 2 lines 15-70	17, 18
A	US 2011/0145981 A1 (TEETZEL, J et al.) 23 June 2011; entire document	1-19
A	US 2016/0088891 A1 (GENTEX CORPORATION) 31 March 2016; entire document	1-19

Further documents are listed in the continuation of Box C. See patent family annex.

* Special categories of cited documents:

"A" document defining the general state of the art which is not considered to be of particular relevance	"T" later document published after the international filing date or priority date and not in conflict with the application but cited to understand the principle or theory underlying the invention
"E" earlier application or patent but published on or after the international filing date	"X" document of particular relevance; the claimed invention cannot be considered novel or cannot be considered to involve an inventive step when the document is taken alone
"L" document which may throw doubts on priority claim(s) or which is cited to establish the publication date of another citation or other special reason (as specified)	"Y" document of particular relevance; the claimed invention cannot be considered to involve an inventive step when the document is combined with one or more other such documents, such combination being obvious to a person skilled in the art
"O" document referring to an oral disclosure, use, exhibition or other means	"&" document member of the same patent family
"P" document published prior to the international filing date but later than the priority date claimed	

Date of the actual completion of the international search 09 May 2018 (09.05.2018)	Date of mailing of the international search report 31 MAY 2018
---	--

Name and mailing address of the ISA/ Mail Stop PCT, Attn: ISA/US, Commissioner for Patents P.O. Box 1450, Alexandria, Virginia 22313-1450 Facsimile No. 571-273-8300	Authorized officer Shane Thomas PCT Helpdesk: 571-272-4300 PCT OSP: 571-272-7774
---	--