



US00D397053S

United States Patent [19]

[11] Patent Number: Des. 397,053

Lloyd

[45] Date of Patent: **Aug. 18, 1998

[54] **UTILITY METER**

D. 366,434 1/1996 Brown, III et al. D10/99
5,589,764 12/1996 Lee 324/157

[75] Inventor: **Tim Lloyd**, Wokingham, United Kingdom

Primary Examiner—Antoine Duval Davis
Attorney, Agent, or Firm—Leonard W. Pojunas

[73] Assignee: **Schlumberger Industries, S.A.**, Montrouge, France

[57] **CLAIM**

[**] Term: **14 Years**

The ornamental design for a utility meter, as shown.

[21] Appl. No.: **70,018**

DESCRIPTION

[22] Filed: **Apr. 8, 1997**

[51] **LOC (6) Cl.** **10-04**

FIG. 1 is a side view;

[52] **U.S. Cl.** **D10/99**

FIG. 2 is a top view;

[58] **Field of Search** D10/96, 99, 100;
324/119, 136, 142, 157, 116; 364/483;
377/20

FIG. 3 is a front view;

FIG. 4 is a back view; and,

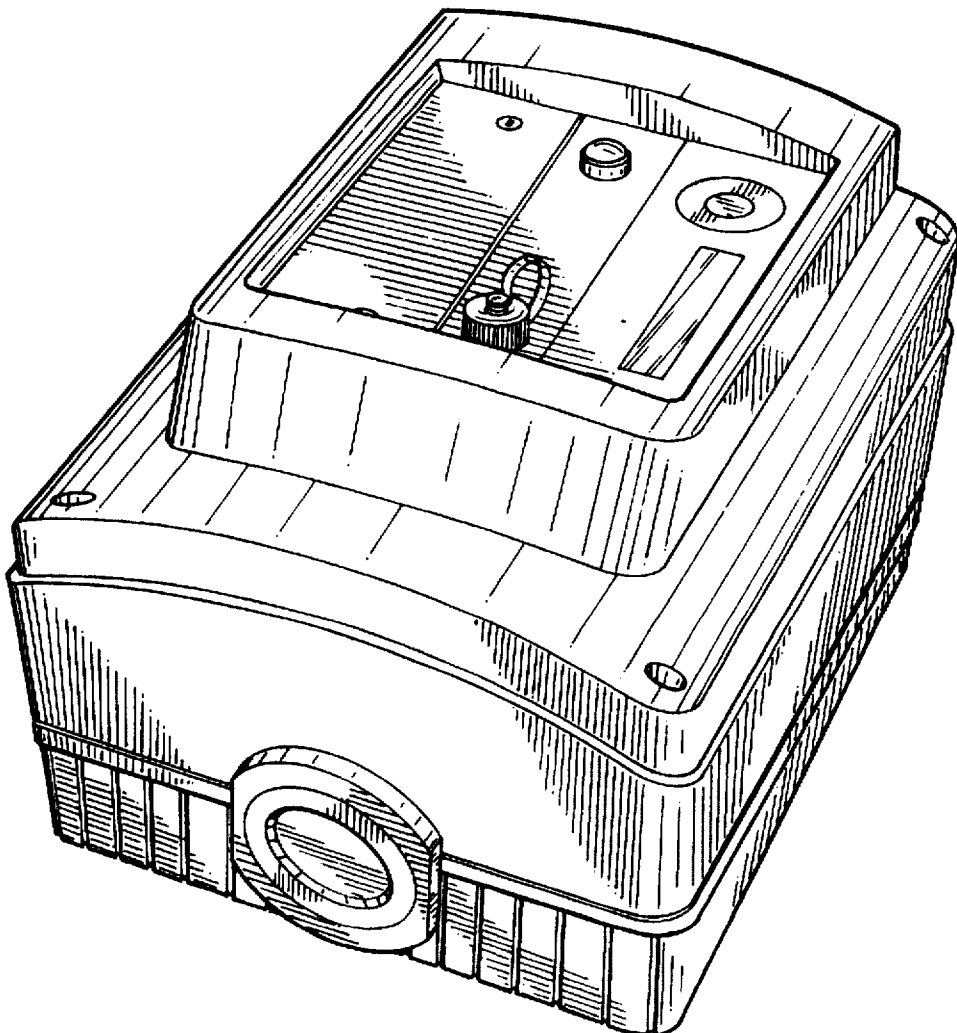
FIG. 5 is a perspective view.

[56] **References Cited**

U.S. PATENT DOCUMENTS

D. 332,416 1/1993 Craig et al. D10/99

1 Claim, 3 Drawing Sheets



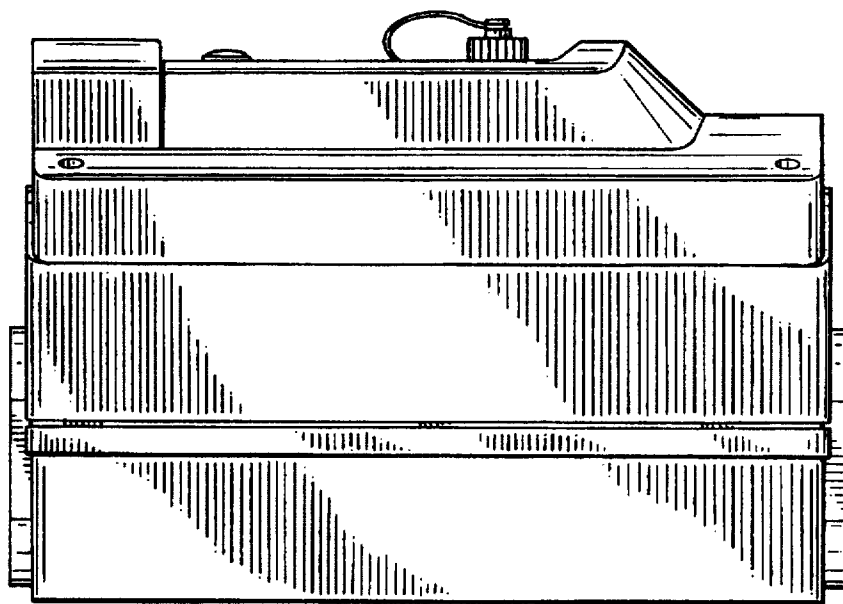


FIG. 1

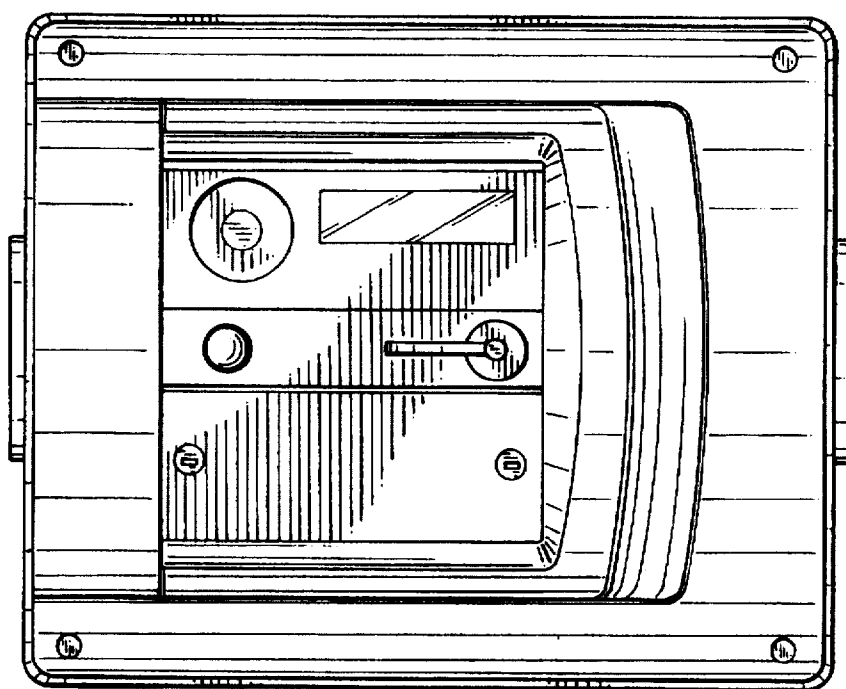


FIG. 2

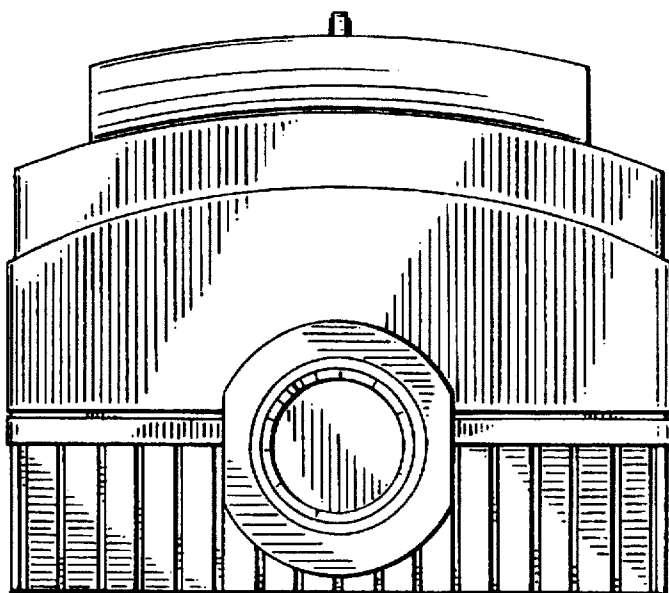


FIG. 3

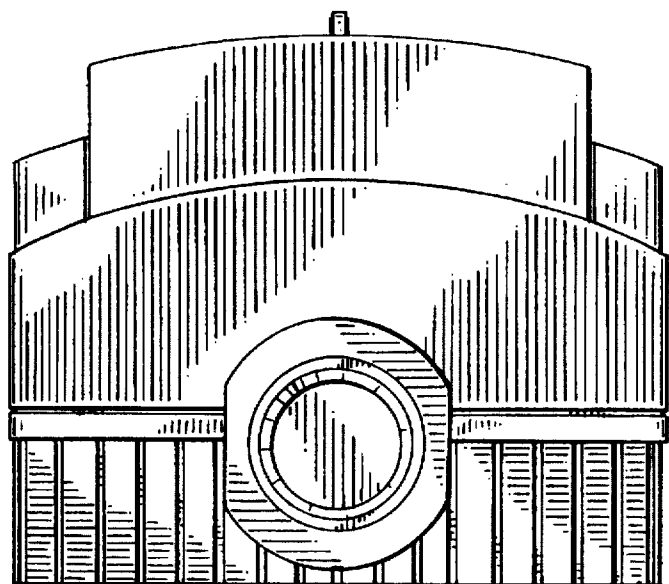


FIG. 4

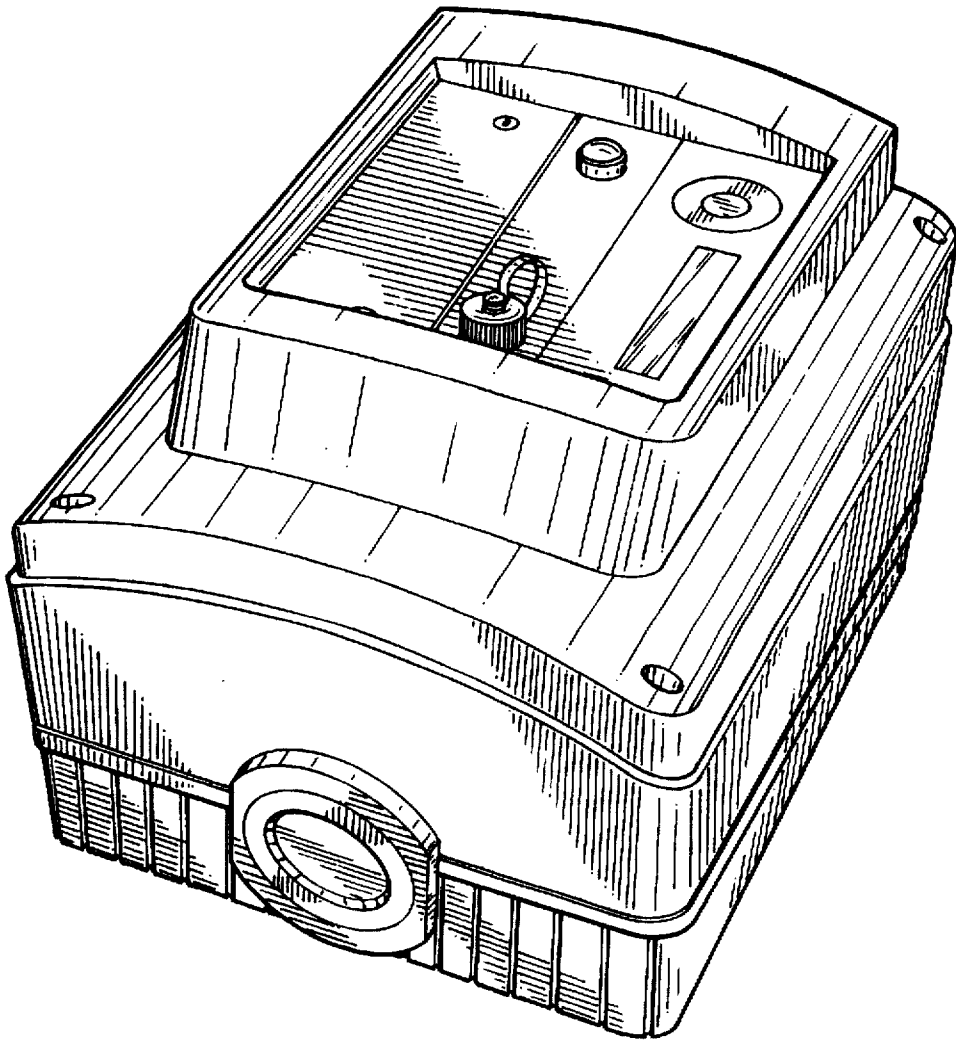


FIG. 5