

[54] ELECTRICAL CONNECTOR

[56] References Cited

[76] Inventor: Jacques Lacroix, 12 Allee de la Pommeraie, Bievres, France

U.S. PATENT DOCUMENTS

D. 204,136	3/1966	Schaefer	D13/24
D. 301,457	6/1989	Friederichs	D13/24
4,374,605	2/1983	Bratt	439/578

[**] Term: 14 Years

Primary Examiner—Susan J. Lucas
Attorney, Agent, or Firm—Jacobs & Jacobs

[21] Appl. No.: 46,310

[57] CLAIM

The ornamental design for an electrical connector, as shown and described.

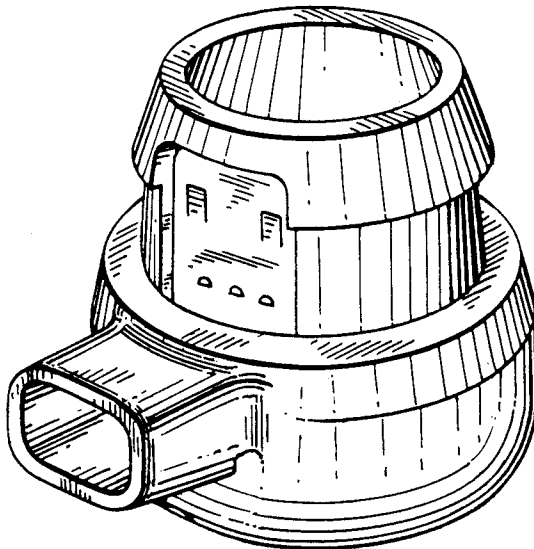
[22] Filed: May 5, 1987

DESCRIPTION

[30] Foreign Application Priority Data

Nov. 7, 1986 [FR]	France	86 5896
[52] U.S. Cl.	D13/133	
[58] Field of Search	D13/24; 439/578, 586-592, 439/595, 598, 680, 681, 629, 630, 631, 603, 607, 606, 449, 460	

FIG. 1 is a front elevational view of an electrical connector showing my new design;
FIG. 2 is a rear elevational view thereof;
FIG. 3 is a bottom plan view thereof;
FIG. 4 is a top plan view thereof;
FIG. 5 is a right elevational side view thereof;
FIG. 6 is a left elevational side view thereof; and
FIG. 7 is a top, rear perspective view thereof.



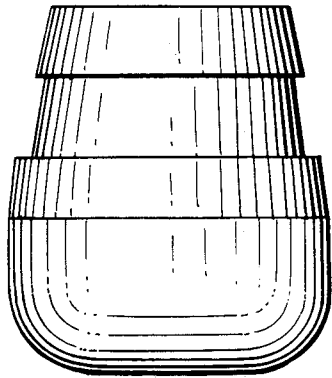


FIG. 1

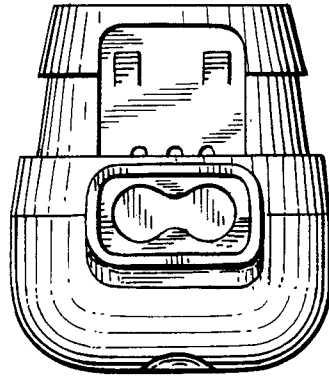


FIG. 2

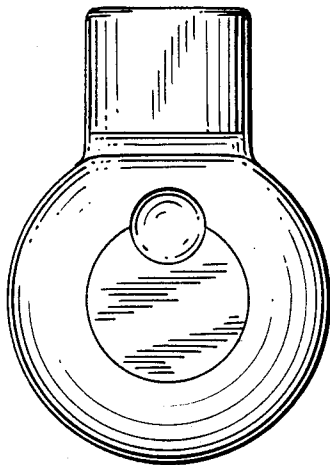


FIG. 3

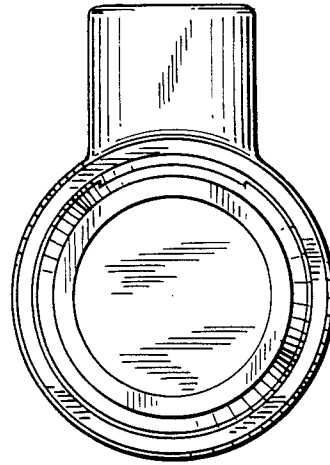


FIG. 4

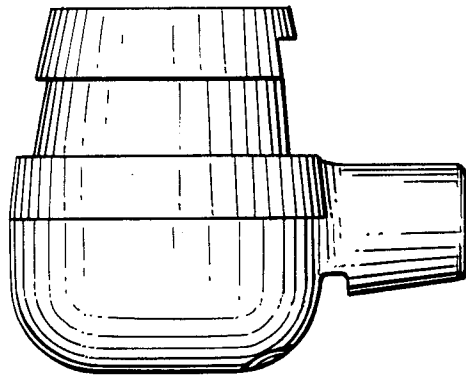


FIG. 5

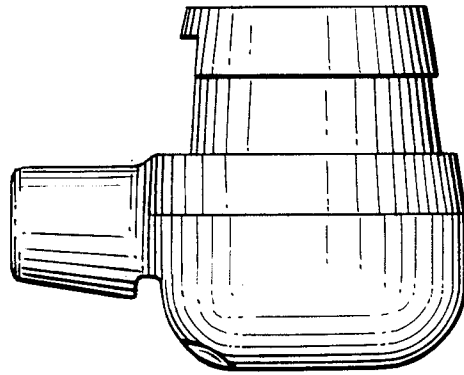


FIG. 6

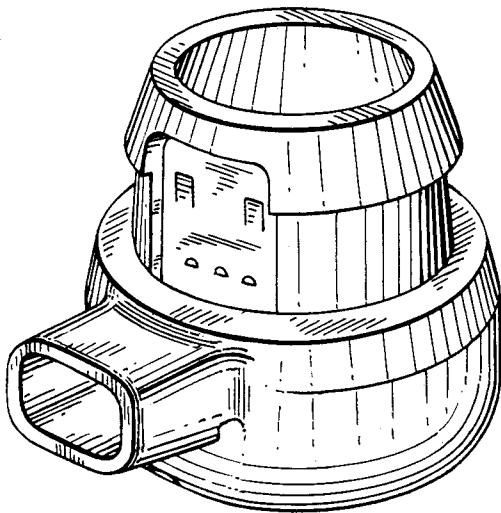


FIG. 7