



US00D779151S

(12) **United States Design Patent**
Clements et al.

(10) **Patent No.:** **US D779,151 S**

(45) **Date of Patent:** **** Feb. 21, 2017**

(54) **SHAPED TORTILLA**
(71) Applicant: **General Mills, Inc.**, Minneapolis, MN (US)

D67,821 S 7/1925 Yohai et al.
1,552,671 A 9/1925 Bellocchio
1,816,283 A 7/1931 Holibaugh
1,842,576 A 1/1932 Bemis
(Continued)

(72) Inventors: **Robert G Clements**, Plymouth, MN (US); **Shivakumar Elayedath**, Eden Prairie, MN (US); **Amy R. Fleury**, Arden Hills, MN (US); **Zachary Harder**, Crystal, MN (US)

FOREIGN PATENT DOCUMENTS

WO WO-2004/037016 5/2004

(73) Assignee: **General Mills, Inc.**, Minneapolis, MN (US)

"American Hits", Oct. 30, 2007, <http://www.salomon-online.com/p3filesen/produkte/americanhits.shtml>.

(Continued)

(**) Term: **14 Years**

Primary Examiner — Garth Rademaker
Assistant Examiner — Katie Stofko Mroczka
(74) *Attorney, Agent, or Firm* — Rachel A. Kahler, Diederiks & Whitelaw, PLC; Annette M. Frawley, Esq.

(21) Appl. No.: **29/476,443**

(22) Filed: **Dec. 13, 2013**

(51) **LOC (10) Cl.** **01-01**

(52) **U.S. Cl.** **D1/122; D1/125**

(58) **Field of Classification Search**
USPC D1/100–130, 199; D7/504, 509, 510, D7/523, 524, 555, 566, 568, 584–587, D7/602, 672, 300.1, 629, 653, 654, 667, D7/400; D21/386; D19/91; 426/92, 94, 426/95, 99, 101, 138–139, 143, 279, 282, 426/283, 391, 514; D11/146, 151, 154; D14/480.5, 484.1

See application file for complete search history.

(56) **References Cited**

U.S. PATENT DOCUMENTS

D17,628 S 8/1887 Carr
D19,696 S 3/1890 Beckstein
D31,600 S 10/1899 Terry
909,715 A 1/1909 Troegeler
D62,515 S 6/1923 Wood
1,529,670 A 3/1925 Pritchard et al.

OTHER PUBLICATIONS

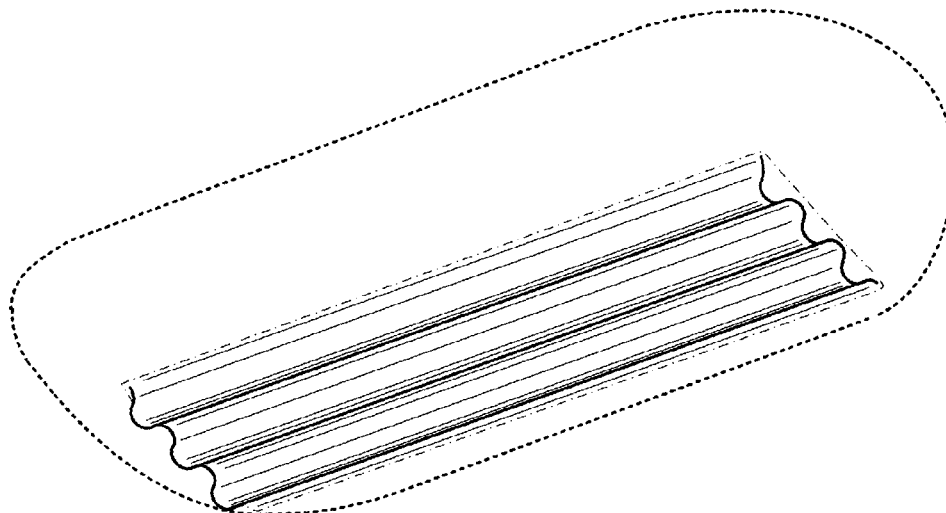
CLAIM

The ornamental design for a shaped tortilla, as shown and described.

DESCRIPTION

FIG. 1 is a top perspective view of the shaped tortilla; FIG. 2 is a bottom perspective view of the shaped tortilla of FIG. 1; FIG. 3 is an end view of the shaped tortilla of FIG. 1; FIG. 4 is a side view of the shaped tortilla of FIG. 1; FIG. 5 is a cross-sectional view of the shaped tortilla of FIG. 1, taken along line 5-5 in FIG. 3; FIG. 6 is a top view of the shaped tortilla of FIG. 1; and, FIG. 7 is a bottom view of the shaped tortilla of FIG. 1. The evenly-spaced broken lines in FIGS. 1-7 illustrate portions of the shaped tortilla that form no part of the claimed design. The dash-dot-dash broken lines in FIGS. 1-7 illustrate the boundary of the claimed design which forms no part thereof.

1 Claim, 3 Drawing Sheets



(56)

References Cited

U.S. PATENT DOCUMENTS

D89,341	S	2/1933	Hamsen	5,364,016	A	11/1994	Capy et al.	
1,909,930	A	5/1933	De Ridder	D354,159	S	1/1995	Martin	
D93,019	S	8/1934	Hose	D358,018	S	5/1995	Lindemann	
2,120,710	A	6/1938	Nieding	5,419,903	A *	5/1995	Evans et al.	426/144
D116,174	S *	8/1939	Trabold	D364,995	S *	12/1995	Koziol	D7/409
2,274,344	A	2/1942	Palmer	D369,451	S	5/1996	Gornet et al.	
D141,423	S	5/1945	Lewis	5,567,455	A	10/1996	Alsbrook, Sr.	
2,598,927	A	6/1952	May	5,567,459	A	10/1996	Gonzalez-Hernandez et al.	
2,601,822	A	7/1952	Hopkins	D376,893	S	12/1996	Gornet	
2,630,389	A	3/1953	Lipshutz	D377,257	S	1/1997	Calvin	
2,664,812	A	1/1954	Molina	5,626,897	A	5/1997	Goldstein	
2,739,464	A	3/1956	Smith	D380,885	S *	7/1997	Goll	D1/125
2,892,719	A	6/1959	Lynn	5,652,010	A	7/1997	Gimmler et al.	
3,222,697	A *	12/1965	Scheermesser	D383,589	S	9/1997	Morales	
D205,126	S	6/1966	Haessler	D387,109	S	12/1997	Winans	
3,290,154	A	12/1966	Turner	5,709,898	A	1/1998	Biggs et al.	
3,341,167	A	9/1967	Weiss	D392,786	S	3/1998	Kieser	
3,481,458	A	12/1969	Mayeaux	D393,136	S	4/1998	Gornet	
3,541,587	A	11/1970	Washburn	5,756,976	A	5/1998	Akasaka	
D222,682	S	11/1971	Douglas	D395,937	S	7/1998	Zada	
3,653,337	A	4/1972	Hanson	D402,085	S	12/1998	Gornet	
3,794,455	A	2/1974	Heiderpriem	5,897,900	A	4/1999	Groulx et al.	
3,908,022	A *	9/1975	Selleck	D411,111	S *	6/1999	Rodriguez et al.	D1/125
3,930,049	A	12/1975	Mattson	D412,770	S	8/1999	Martinez et al.	
4,018,905	A	4/1977	Adamek et al.	5,984,697	A	11/1999	Moran et al.	
4,055,670	A	10/1977	Belmont	5,993,871	A	11/1999	Beehler	
4,065,092	A	12/1977	Spinks, Sr. et al.	5,996,476	A	12/1999	Schultz	
4,065,581	A	12/1977	Heiderpriem	5,997,921	A	12/1999	Tirillo	
D247,868	S	5/1978	Britt	D421,272	S	2/2000	Patel	
D251,396	S	3/1979	Hutchinson	D425,685	S	5/2000	Kitslaar	
D251,816	S	5/1979	Majeski	6,156,357	A	12/2000	Franklin	
4,214,517	A	7/1980	Caldwell	6,245,374	B1	6/2001	Thomas et al.	
4,250,091	A	2/1981	Papa et al.	D444,816	S	7/2001	Stravitz	
4,251,554	A	2/1981	Baisden	D450,420	S	11/2001	Brost et al.	
4,270,660	A	6/1981	Putt	D453,977	S *	2/2002	Park et al.	D30/160
4,313,964	A	2/1982	Dembecki	D467,121	S	12/2002	Zietz et al.	
D263,786	S	4/1982	Kohan	D467,669	S	12/2002	Givens et al.	
4,381,837	A	5/1983	Cortopassi	6,607,169	B1	8/2003	Gershfeld	
4,444,795	A	4/1984	Weinstein	6,615,495	B1	9/2003	Evens et al.	
D277,234	S	1/1985	Bank	D485,307	S	1/2004	Sheldon et al.	
D278,199	S	4/1985	Richards	D493,943	S	8/2004	Mendenhall	
D279,160	S	6/1985	Hunt	D495,852	S *	9/2004	Barber	D1/125
4,530,275	A	7/1985	Stickle et al.	D515,274	S	2/2006	Griebel et al.	
D282,338	S	1/1986	Putt	D516,275	S	3/2006	Anaya	
4,573,579	A	3/1986	Murdick et al.	7,008,655	B1	3/2006	Aslanis	
D285,740	S *	9/1986	Watanabe	D520,814	S	5/2006	Wegmann	
4,626,438	A	12/1986	Glantz	D523,289	S	6/2006	David	
4,650,684	A *	3/1987	Penrose	D523,698	S	6/2006	David	
4,666,799	A	5/1987	Runquist et al.	D523,701	S	6/2006	Dodge et al.	
4,735,811	A	4/1988	Skarra et al.	D524,112	S	7/2006	Cogley	
4,746,010	A	5/1988	Fournier	D527,052	S	8/2006	Wolff et al.	
D296,284	S	6/1988	Colby	D544,408	S	6/2007	Weekes	
4,781,932	A	11/1988	Skarra et al.	D547,235	S	7/2007	Stanton et al.	
4,812,376	A	3/1989	Rudolph	D579,586	S *	10/2008	Mattingly	D25/138
D300,707	S	4/1989	Walmesley	D579,626	S	11/2008	Schulman	
4,855,151	A *	8/1989	Fielding	D579,719	S *	11/2008	King et al.	D7/409
4,896,820	A	1/1990	Harrington	D590,126	S	4/2009	Kovich et al.	
4,915,964	A	4/1990	Smietana	D602,396	S	10/2009	Conway et al.	
4,919,946	A	4/1990	Pak et al.	7,648,374	B2	1/2010	Koskondy	
4,929,458	A	5/1990	Smietana	D609,712	S	2/2010	Bedol	
D314,887	S	2/1991	Tomaras	D610,156	S	2/2010	Mudrick	
5,002,783	A	3/1991	Ruiz	D610,405	S *	2/2010	McConnell	D7/409
5,009,902	A	4/1991	Mercenari	D622,927	S	9/2010	Griebel	
D316,622	S	5/1991	Popiel	D622,928	S	9/2010	Griebel	
D318,984	S	8/1991	Wickham et al.	D623,376	S	9/2010	Griebel	
D324,603	S	3/1992	Cope et al.	D623,826	S	9/2010	Griebel	
D334,111	S	3/1993	Yockey et al.	D629,586	S	12/2010	Griebel	
5,203,493	A	4/1993	Moody	D639,526	S *	6/2011	Allen et al.	D1/125
D335,758	S	5/1993	Stickle	D655,886	S	3/2012	Kovich et al.	
5,223,286	A	6/1993	Selbak	D673,402	S *	1/2013	Kuzyk	D6/703
5,236,727	A	8/1993	Huston	D679,476	S *	4/2013	Barber et al.	D1/125
D339,899	S	10/1993	Kittleson	D690,896	S *	10/2013	Barber et al.	D1/125
5,298,273	A	3/1994	Ito	D691,401	S *	10/2013	Sobran	D6/606
5,298,279	A	3/1994	Hayashi	D692,690	S *	11/2013	Sobran	D6/606
D350,671	S	9/1994	Asner	D702,417	S *	4/2014	King et al.	D1/199
				D706,017	S *	6/2014	King et al.	D1/199
				D717,516	S *	11/2014	King et al.	D1/125
				D722,821	S *	2/2015	Liu	D7/409
				2001/0043973	A1	11/2001	Keck et al.	

(56)

References Cited

U.S. PATENT DOCUMENTS

2002/0168453 A1 11/2002 McCutchan
 2004/0058048 A1 3/2004 Chedid et al.
 2004/0071854 A1 4/2004 Chedid et al.
 2005/0281921 A1 12/2005 Langston et al.
 2006/0147587 A1 7/2006 Kovich et al.
 2008/0193613 A1 8/2008 Kovich et al.
 2008/0220132 A1 9/2008 Taminich
 2008/0220144 A1 9/2008 Richards
 2009/0285950 A1 11/2009 Baker
 2010/0272863 A1 10/2010 Griebel et al.

OTHER PUBLICATIONS

“Chili in Tortilla Bowls” published Oct. 21, 2006, <http://www.favoritebrandrecipes.com/Recipes/335/1531521335.htm>.
 How to make Really Good Soft Taco Shells, Jul. 21, 2007, <http://forums.macresource.com/read.php?1,330158,330263>.
 “Mushrooms in Garlic Sauce, Served in a Soft Tortilla Shell” Apr. 27, 2006, <http://www.foodnetwork.com/recipes/mushrooms-in-garlic-sauce-served-in-a-soft-tortilla-shell-recipe.html#!>.
 “Ortega” Published Dec. 23, 2007, http://web.archive.org/web/20071228042139/http://www.ortega.com/products/dinner_kits.asp.
 “Rachel Ray Show”, Jul. 3, 2007, <http://www.rachaelrayshow.com/food/recipes/healthy-tortilla-ice-cream-bowls/>.
 “Recipe Book—Mexican Beef Soup in Tortilla Bowls”, Jul. 30, 2007, <http://www.txbeef.org/recipe.php3?944689164>.
 “The Cook’s Thesaurus” Jan. 30, 2008, <http://web.archive.org/web/20080130010346/http://foodsubs.com/Flatbread.html>.

“The Glass of Frederick Carder”. New York: Corning Museum of Glass, 1971. Print p. 158, item No. 1956.
 The Revolutionary New Fast Food Concept From Down Under, Xcitetech Technology Solutions, Inc., 2002, <http://excitetech.com/TheWalkAroundConeDocV7.o.pdf>, brochure.
 Old El Paso Dinner Kit, 2002.
 Pizzacona, Oct. 17, 2007, <http://www.crispycones.com/crispy/menu.htm>.
 R. S. Chavan et al., 2010, “Microwave Baking in Food Industry: A Review”. International Journal of Dairy Science, 5:113-127.
 Bethlehem Steel Catalog, Copyright 1931: p. 9, extrusion, bottom row.
 Clark, Chefs and Food Scientists Develop ‘grab and go’ foods, Food Sci. & Tech Abs. 2007, Dialog Accession No. 01077407.
 CrispyCones, Oct. 17, 2007, <http://www.crispycones.com/crispy/faq.htm>.
 EEE Cooks: Tortilla Shell (Recipe), Mar. 12, 2009: <http://www.eeecooks.com/recipes/2004/02/17/shell>.
 GoogleGroups, May 1999, rec.food.cooking, http://groups.google.com/group/rec.food.cooking/browse_thread/thread/25d043af2ac44577cb26bbc141f38fe?hl=en&ie=UTF-8&q=orte.
 Hessong, Athena, “Desserts Made with Tortilla Shells”, Oct. 5, 2012, http://www.ehow.com/info_10001655_desserts-made-tortilla-shells.html.
 Hollingsworth, Pierce, “One-handed Cuisine and Other Business Trends to Watch”, Food Technology; v. 56:4 p. 18 (Apr. 2002) abstract.
<http://www.slashfood.com/tag/taco/>, Jul. 2007.
 Mintel gnpd, “Crispy Tacho Shells”, <http://www.gnpd.com>.

* cited by examiner

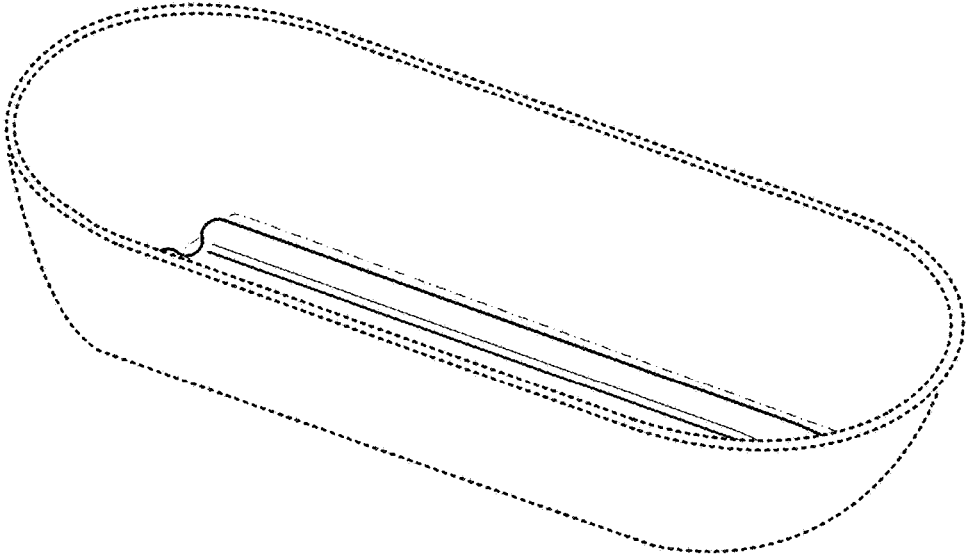


FIG. 1

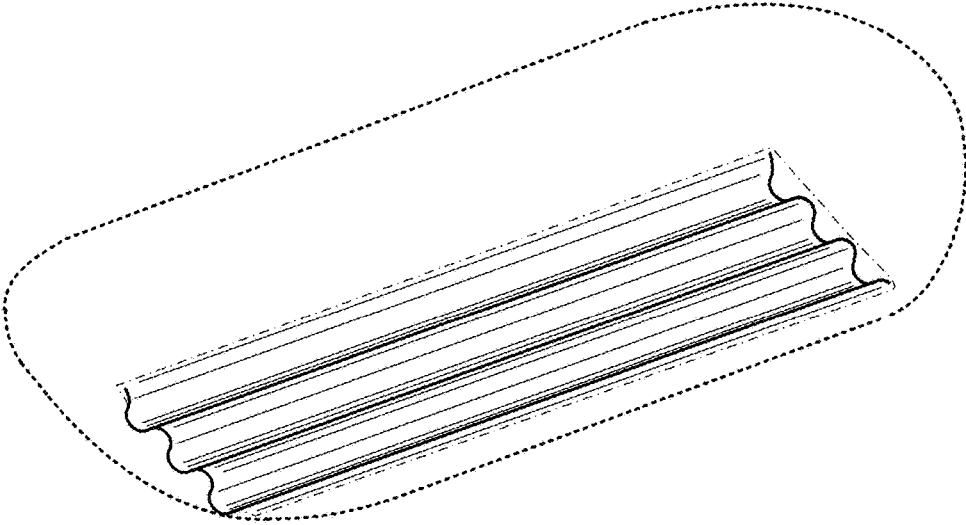


FIG. 2

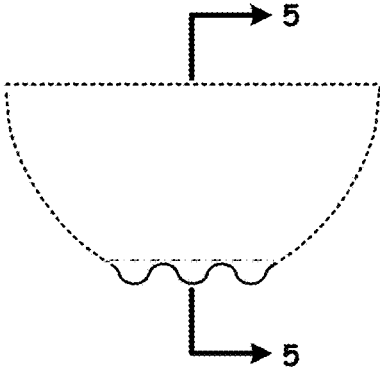


FIG. 3

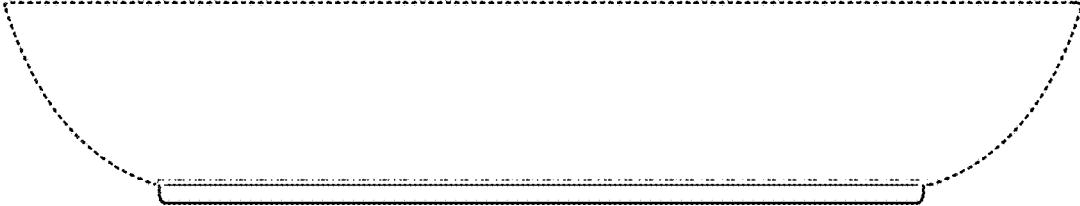


FIG. 4



FIG. 5

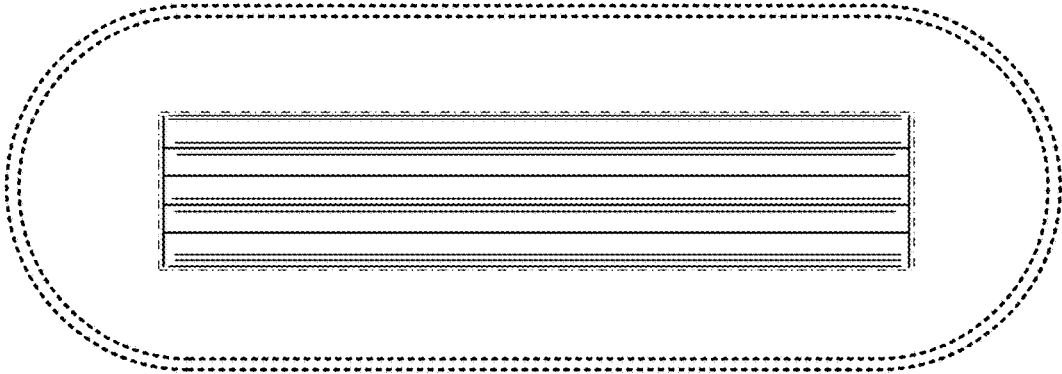


FIG. 6

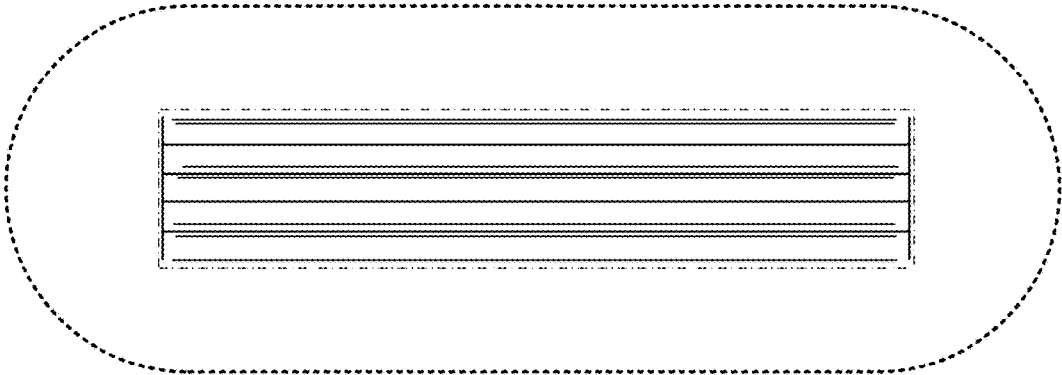


FIG. 7