

(19) World Intellectual Property Organization  
International Bureau



(43) International Publication Date  
26 April 2001 (26.04.2001)

PCT

(10) International Publication Number  
**WO 01/28608 A2**

- (51) International Patent Classification<sup>7</sup>: **A61M 5/00**
- (21) International Application Number: PCT/EP00/09641
- (22) International Filing Date:  
28 September 2000 (28.09.2000)
- (25) Filing Language: English
- (26) Publication Language: English
- (30) Priority Data:  
9924808.0 21 October 1999 (21.10.1999) GB
- (71) Applicant (for all designated States except US): **GLAXO GROUP LIMITED** [GB/GB]; Glaxo Wellcome House, Berkeley Avenue, Greenford, Middlesex UB6 0NN (GB).
- (72) Inventor; and
- (75) Inventor/Applicant (for US only): **RAND, Paul, Kenneth** [GB/GB]; Glaxo Wellcome plc., Park Road, Ware, Herts. SG12 0DP (GB).
- (74) Agent: **PIKE, Christopher, Gerard**; Pike & Co., Hayes Loft, 68A Hayes Place, Marlow, Buckinghamshire SL7 2BT (GB).
- (81) Designated States (national): AE, AG, AL, AM, AT, AU, AZ, BA, BB, BG, BR, BY, BZ, CA, CH, CN, CR, CU, CZ, DE, DK, DM, DZ, EE, ES, FI, GB, GD, GE, GH, GM, HR, HU, ID, IL, IN, IS, JP, KE, KG, KP, KR, KZ, LC, LK, LR, LS, LT, LU, LV, MA, MD, MG, MK, MN, MW, MX, MZ, NO, NZ, PL, PT, RO, RU, SD, SE, SG, SI, SK, SL, TJ, TM, TR, TT, TZ, UA, UG, US, UZ, VN, YU, ZA, ZW.
- (84) Designated States (regional): ARIPO patent (GH, GM, KE, LS, MW, MZ, SD, SL, SZ, TZ, UG, ZW), Eurasian patent (AM, AZ, BY, KG, KZ, MD, RU, TJ, TM), European patent (AT, BE, CH, CY, DE, DK, ES, FI, FR, GB, GR, IE, IT, LU, MC, NL, PT, SE), OAPI patent (BF, BJ, CF, CG, CI, CM, GA, GN, GW, ML, MR, NE, SN, TD, TG).

**Published:**

— Without international search report and to be republished upon receipt of that report.

For two-letter codes and other abbreviations, refer to the "Guidance Notes on Codes and Abbreviations" appearing at the beginning of each regular issue of the PCT Gazette.



**WO 01/28608 A2**

(54) Title: **MEDICAMENT DISPENSER**

(57) Abstract: There is provided a medicament dispenser comprising a medicament container having a dispensing outlet; an agitator for agitating the contents of the container; and a driver for driving the agitator independently of any movement of the container. The medicament dispenser can be a metered dose inhaler for delivery of inhalable medicament.

## **Medicament dispenser**

### **Technical Field**

5

This invention relates to a medicament dispenser including an agitator for agitating the medicament contents thereof. The dispenser is particularly suitable for use as an inhalation device.

10

### **Background to the Invention**

Known medicament dispensers comprise a medicament container having a dispensing outlet for dispensing of the medicament therefrom. Such medicament dispensers often require the patient to agitate the contents thereof prior to dispensing to ensure ready and uniform dispensing of the medicament. The agitation involves a manual shaking action.

Agitation is particularly required where the dispenser comprises medicament as a suspension in a propellant formulation. A well-known example of this type is the metered dose inhaler for dispensing of respiratory medicament which comprises an aerosol container having a dispensing valve. The medicament is comprised within the aerosol container in the form of a suspension comprising propellant and optionally other additives such as solvents or surfactants. Such suspensions have a tendency to settle out, sediment or cream. A pre-dispensing agitation step is necessary to re-establish a uniform suspension so that uniform dispensing of medicament may be achieved.

Agitation can also be required where the medicament is in powder form. It is known that powders can tend to settle out, agglomerate or even cake on storage. The agitation therefore performs the function of breaking up any agglomerates or cakes that may have formed, and thereby ensures that the powder is readily dispensable.

5

Various suggestions have been made to enhance manual shaking action to maximise the effect of agitation.

10 PCT Patent Application No. WO95/30607 describes a metered dose dispensing valve including a movable agitator in the metering chamber. Manual shaking of the valve causes movement of the agitator therein which is stated to assist mixing of the drug suspension in the metering chamber.

15 PCT Patent Application No. WO96/08284 describes an inhalation device for dispensing powder form medicament including a movable weight which is configured to strike an anvil upon manual shaking of the device. The striking action causes a jolt which acts such as to assist transfer of the powder from a reservoir container to a metering recess formed in a dosing member.

20

Whilst manual shaking is a generally effective means for providing agitation it is sometimes inconvenient for the patient. In social situations, the patient often wishes to administer their medicament discretely and without drawing attention to themselves. Manual shaking of the dispenser is difficult to perform in a discrete fashion. This can lead to patient embarrassment. There is also always the possibility that the patient forgets to shake the dispenser, or does so inadequately, thereby affecting the medicament dose deliverable.

25

The Applicants have now developed a medicament dispenser which requires little or no manual shaking. The dispenser comprises a medicament container

30

and an agitator for agitating the contents of the medicament container. A drive is provided for driving the agitator independently of any movement of the container. The dispenser therefore provides for agitation of the medicament container and contents thereof without requiring shaking by the patient.

5

### Summary of Invention

According to one aspect of the present invention there is provided a medicament  
10 dispenser comprising a medicament container having a dispensing outlet; an agitator for agitating the contents of the container; and a driver for driving the agitator independently of any movement of the container.

Preferably, the agitator comprises a movable element within said container.  
15 More preferably, the movable element is freely movable within the container.

In one aspect, the movable element is magnetically coupled to the driver.  
Preferably, either or both of the movable element or the driver comprises  
magnetic material or material which is magnetically inductive, that is to say  
20 material into which magnetism can be induced. The material may be permanently or non-permanently magnetisable.

In another aspect, the movable element is mechanically coupled to the driver.

25 In a preferred aspect, the container includes a rim defining an access hole, the movable element comprises a flexible sheath protruding through said access hole, and the driver comprises a rod insertable within said flexible sheath for agitation thereof. Preferably, the flexible sheath is in sealing contact with the rim.

30

In another aspect, the movable element is pneumatically drivable.

In another aspect, the movable element is hydraulically drivable.

- 5 In another aspect, the movable element is electrically drivable. Preferably, the movable element comprises a multi-component strip or wire which is deformable in response to electrical current flow.

10 Suitable multi-component strips typically comprise a plurality of layers of material, each material having a different coefficient of thermal expansion. Preferred examples of multi-component strips include strips comprising multiple layers of different metals (e.g. bimetallic strips) and strips comprising at least one piezoelectric or piezoresistive material. Suitable piezoelectric materials include piezoelectric ceramics, such as compounds of lead zirconate and lead  
15 titanate, and piezoelectric crystals which are generally polycrystalline ferroelectric materials with the perovskite structure.

Suitable multi-component wires typically comprise alloys of two or more metals wherein one or more of the metals undergoes a temperature induced phase  
20 change in response to electrical current flow. Preferred examples of multi-component wires include those comprised of alloys of titanium and nickel which contract when electric current is applied.

25 Preferably, the movable element is shaped to create turbulence within the container when agitated.

In one aspect, the agitator creates regions of pressure difference within the container. Preferably, the agitator comprises a piston mechanism within the container. More preferably, the piston mechanism is mechanically drivable by  
30 the driver. Most preferably, the drive comprises a plunger for moving the piston.

In another aspect, the agitator provides wave energy to the interior of the container. Preferably, the agitator is an acoustic wave energy generator or a resonant wave energy generator.

5

In one aspect, the driver is associable with the container. The driver may be external to, or internal to, the container and may be permanently or reversibly attached to the container.

10

In another aspect, the medicament dispenser additionally comprises a housing. Preferably the driver is associable with the housing. The driver may be external to, or internal to, the housing and may be permanently or reversibly attached to the housing.

15

Preferably, the driver comprises an energy store for storing energy which energy is releasable to drive the agitator.

In one aspect, the energy store comprises a biasable resilient member. Preferably, the biasable resilient member is a spring.

20

In another aspect, the energy store comprises a clockwork mechanism.

In another aspect, the energy store comprises a battery.

25

Preferably, the driver is responsive to a patient-actuatable trigger. The trigger may comprise a button, switch or lever arrangement. More preferably, the trigger comprises a sensor which senses the breath of a patient.

30

In one aspect, the sensor comprises a breath-movable element which is movable in response to the breath of a patient. Preferably, the breath-movable

element is selected from the group consisting of a vane, a sail, a piston and an impeller.

5 In another aspect, the sensor comprises a pressure sensor for sensing the pressure profile associated with the breath of a patient.

In another aspect, the sensor comprises an airflow sensor for sensing the airflow profile associated with the breath of a patient.

10 In another aspect, the sensor comprises a temperature sensor for sensing the temperature profile associated with the breath of a patient.

In another aspect, the sensor comprises a moisture sensor for sensing the moisture profile associated with the breath of a patient.

15 In another aspect, the sensor comprises a gas sensor for sensing the oxygen or carbon dioxide profile associated with the breath of a patient.

20 Preferably, dispensing from the dispensing outlet is responsive to a second patient-actuable trigger. More preferably, the patient-actuable triggers are coupled such that agitation and dispensing occurs in a sequential fashion.

25 In one preferred aspect, the container is an aerosol container, preferably comprising a metering valve at the dispensing outlet. Preferably, the aerosol container comprises a suspension of a medicament in a propellant.

The propellant preferably comprises liquefied HFA134a, HFA-227 or carbon dioxide.

The medicament is preferably selected from the group consisting of albuterol, salmeterol, fluticasone propionate, beclomethasone dipropionate, salts or solvates thereof and any mixtures thereof.

5

### **Brief Description of the Invention**

The invention will now be described further with reference to the accompanying drawings in which:

10

Figure 1 is a cut-away perspective view of a first medicament dispenser in accord with the present invention;

15

Figure 2 is a sectional view of a second medicament dispenser in accord with the present invention;

Figure 3 is a sectional view of a third medicament dispenser in accord with the present invention;

20

Figures 4a and 4b are sectional views of a fourth medicament dispenser in accord with the present invention;

### **Detailed Description of the Invention**

25

Figure 1. shows a medicament dispenser suitable for use in a metered dose inhaler (MDI) for delivery of inhalable medicament. The dispenser comprises an aerosol can 10 having a dispenser outlet in the form of a metering valve 12. The valve gasket 14 is fixedly attached (typically by crimping) to the aerosol can body 10. The can 10 comprises a suspension 20 of medicament in a propellant.

30

Within the can 10 there are provided four vibratable flippers 30 mounted on cross-mounting 32. Each vibratable flipper 30 is comprised of a bimetallic strip which flexes on application of electrical current. In alternative embodiments, the flippers may also comprise piezoelectric materials. The cross-mounting 32, and hence each flipper 30, is connected to external electric power source 40 which may be in the form of a battery or a capacitor. On application of electric power the flippers 30 vibrate thereby resulting in agitation of the suspension 20.

Figure 2. also shows a medicament dispenser suitable for use in a metered dose inhaler (MDI) for delivery of inhalable medicament. The dispenser comprises an aerosol can 110 having a dispenser outlet in the form of a metering valve 112. The valve gasket 114 is fixedly attached (typically by crimping) to the aerosol can body 110. The can 110 comprises a suspension 120 of medicament in a propellant.

It may be seen that an access hole 116 is provided in the base 118 of the aerosol can 110 for receipt of flexible elongate sheath 132. The sheath 132 typically comprises a latex, rubber or elastomeric material and may be seen to protrude well into the interior of the can 110. Within the sheath 132 there is provided drive rod 130 which comprises a resiliently flexible material. The drive rod 130 connects to drive motor 140 which may for example, be an electric or clockwork motor. The drive motor 140 may in embodiments be configured to provide oscillatory or rotatory drive motion to the drive rod 130. On application of the drive energy the drive rod 130 moves within the sheath 132 thereby resulting in agitation of the suspension 120.

In an alternative embodiment, the electric or clockwork drive motor 140 is replaced by a mechanical push-drive which is capable of translating a push motion (e.g. at the top 142 of the drive) into a rotatory drive motion. Such a

push-drive could incorporate a suitably configured gear train or worm and helix drive mechanism. In known metered dose inhalers wherein the can 110 sits within an actuator housing, the dispensing action typically requires the user to push down on the base 118 of the can 110 such that the valve 112 is released.

5 It may be appreciated that the use of the push-drive will facilitate a agitation-dispensing sequence in which a first user pushing action on the push-drive results in agitation of the suspension 120 and a second user pushing action (which may be a continuation of the first) results in dispensing of the suspension 120.

10

Figure 3. shows a further medicament dispenser suitable for use in a metered dose inhaler (MDI) for delivery of inhalable medicament. The dispenser comprises an aerosol can 210 having a dispenser outlet in the form of a metering valve 212. The valve gasket 214 is fixedly attached (typically by crimping) to the aerosol can body 210. The can 210 comprises a suspension 15 220 of medicament in a propellant.

15

It may be seen that an access hole 216 is provided in the base 218 of the aerosol can 210 for receipt of dynamic seal 232. The dynamic seal 232 typically 20 comprises a rigid elastomeric material and may be seen to form a liner to the access hole 216. Protruding through the dynamic seal 232 there is provided piston drive shaft 230. Piston drive shaft 230 has a shaped plunger head 234 which may in embodiments, be connected to a drive motor (not shown) such as an electric or clockwork motor. Piston 236 is received by cylinder 250 within 25 which it is drivable. It may be seen that cylinder 250 includes entry hole 252 and narrows at its lower end to form tube 254 having exit hole 256.

25

Agitation of the suspension 220 within the can 210 is achieved by a driving movement of the piston 236 within the cylinder 250. In more detail, it can be 30 seen that when the piston 236 is in the withdrawn position (as shown in Figure 3)

30

gas may enter cylinder 250 through entry hole 252. As the piston 236 is moved downwards the gas is initially trapped in the cylinder 250, then pushed through tube 254 and finally expelled through exit hole 256. Expulsion of the gas results in formation of bubbles 222 and flow agitation in the suspension 220.

5

Figure 4a shows a medicament dispenser suitable for use in a metered dose inhaler for delivery of inhalable medicament. The dispenser comprises an aerosol canister 310 having a dispenser outlet 312 in the form of a metering valve. The canister 310 has an external 315 and internal 317 wall with cavity 319 therebetween. A suspension 320 of a medicament in a propellant is contained within internal wall 317 of the canister. A magnetic impeller 365 is located within canister 310 and is free to rotate around axis 333 on shaft 335.

10

Within cavity 319 there is provided an electric or clockwork motor 340 which connects via drive shaft 330 to magnet 360. The electric motor may be powered by any suitable means, such as a battery (not shown). The magnet 360 may be rotated or oscillated on arm 331, connecting to drive shaft 330, around internal wall 317 when powered by the motor 340. It may be appreciated that rotation or oscillation of arm 331 and of magnet 360 will result in rotation or oscillation of magnetic impeller 365.

15

20

Agitation of the suspension 320 within the aerosol canister 310 is achievable by the following steps. The motor 340 is actuated by means of a pressure switch (not shown) to rotate drive shaft 330 and arm 331, thereby rotating magnet 360 within cavity 319. The magnet 360 on arm 331 acts magnetically on the magnetic impeller 365 within the can 310 such that the impeller 365 is also rotated. Rotation of the magnetic impeller 365 agitates the suspension 320.

25

Figure 4b shows a variation of the dispenser of Figure 4a. In the metered dose inhalation device of Figure 4b an aerosol canister 310 is located within housing

30

370 such that dispenser outlet 312 is positioned within passage 377 of support 375. A second passage 378 is provided within support 375 and is directed towards the interior of outlet 379.

5 Aerosol canister 310 contains a suspension 320 of a medicament in a propellant. Magnetic impeller 365 is located within canister 310 and is free to rotate on shaft 335 about axis 333. Detachable cap 380 encloses aerosol canister 310 within housing 370. The cylindrical housing 370 divides into an internal 371 and external 372 wall with cavity 373 therebetween. In the position shown, magnet  
10 360 is suspended from arm 331, connected to drive shaft 330, and is free to rotate or oscillate within the cavity 373 when powered by electric or clockwise motor 340. It will be appreciated that rotation of magnet 360 leads to rotation of magnetic impeller 365 and thus agitation of suspension 320.

15 To use the device, cap 380 is compressed thereby activating a pressure switch (not shown) of motor 340 leading to rotation of magnet 360 within cavity 373. Magnetic impeller 365 is thus rotated within canister 310 and agitates suspension 320. Further compression of cap 380 pushes drive shaft 330 against canister block 311, stopping rotation of the drive shaft and moving  
20 canister 310 relative to valve member 312. This action opens the valve and a dose of medicament contained within the aerosol canister is dispensed through passage 378 into outlet 379 to be inhaled by the patient. On removal of the pressure, resilient material 381 returns cap 380 to its resting position.

25 It may be appreciated that any of the parts of the dispenser which contact the medicament suspension may be coated with materials such as fluoropolymer materials which reduce the tendency of medicament to adhere thereto. Any movable parts may also have coatings applied thereto which enhance their desired movement characteristics. Frictional coatings may therefore be applied

to enhance frictional contact and lubricants used to reduce frictional contact as necessary.

The medicament dispenser of the invention is suitable for dispensing  
5 medicament, particularly for the treatment of respiratory disorders such as  
asthma and chronic obstructive pulmonary disease. Appropriate medicaments  
may thus be selected from, for example, analgesics, e.g., codeine,  
dihydromorphine, ergotamine, fentanyl or morphine; anginal preparations, e.g.,  
diltiazem; antiallergics, e.g., cromoglycate (e.g. as the sodium salt), ketotifen or  
10 nedocromil (e.g. as the sodium salt); antiinfectives e.g., cephalosporins,  
penicillins, streptomycin, sulphonamides, tetracyclines and pentamidine;  
antihistamines, e.g., methapyrilene; anti-inflammatory, e.g., beclomethasone  
(e.g. as the dipropionate ester), fluticasone (e.g. as the propionate ester),  
flunisolide, budesonide, rofleponide, mometasone e.g. as the furoate ester),  
15 ciclesonide, triamcinolone (e.g. as the acetonide) or  $6\alpha$ ,  $9\alpha$ -difluoro- $11\beta$ -  
hydroxy- $16\alpha$ -methyl-3-oxo- $17\alpha$ -propionyloxy-androsta-1,4-diene- $17\beta$ -carbothioic  
acid S-(2-oxo-tetrahydro-furan-3-yl) ester; antitussives, e.g., noscapine;  
bronchodilators, e.g., albuterol (e.g. as free base or sulphate), salmeterol (e.g.  
as xinafoate), ephedrine, adrenaline, fenoterol (e.g. as hydrobromide),  
20 formoterol (e.g. as fumarate), isoprenaline, metaproterenol, phenylephrine,  
phenylpropanolamine, pirbuterol (e.g. as acetate), reproterol (e.g. as  
hydrochloride), rimiterol, terbutaline (e.g. as sulphate), isoetharine, tulobuterol or  
4-hydroxy-7-[2-[[[3-(2-phenylethoxy)propyl]sulfonyl]ethyl]amino]ethyl-2(3H)-  
benzothiazolone; adenosine 2a agonists, e.g. 2R,3R,4S,5R)-2-[6-Amino-2-(1S-  
25 hydroxymethyl-2-phenyl-ethylamino)-purin-9-yl]-5-(2-ethyl-2H-tetrazol-5-yl)-  
tetrahydro-furan-3,4-diol (e.g. as maleate);  $\alpha 4$  integrin inhibitors e.g. (2S)-3-[4-  
({[4-(aminocarbonyl)-1-piperidiny] carbonyl}oxy)phenyl]-2-(((2S)-4-methyl-2-[[2-  
(2-methylphenoxy) acetyl]amino]pentanoyl)amino] propanoic acid (e.g. as free  
acid or potassium salt), diuretics, e.g., amiloride; anticholinergics, e.g.,  
30 ipratropium (e.g. as bromide), tiotropium, atropine or oxitropium; hormones, e.g.,

cortisone, hydrocortisone or prednisolone; xanthines, e.g., aminophylline, choline theophyllinate, lysine theophyllinate or theophylline; therapeutic proteins and peptides, e.g., insulin or glucagon; vaccines, diagnostics and gene therapies. It will be clear to a person skilled in the art that, where appropriate, the medicaments may be used in the form of salts, (e.g., as alkali metal or amine salts or as acid addition salts) or as esters (e.g., lower alkyl esters) or as solvates (e.g., hydrates) to optimise the activity and/or stability of the medicament and/or to minimise the solubility of the medicament in the propellant. Preferred medicaments are selected from albuterol, salmeterol, fluticasone propionate and beclomethasone dipropionate and salts or solvates thereof, e.g., the sulphate of albuterol and the xinafoate of salmeterol.

Medicaments can also be delivered in combinations. Preferred formulations containing combinations of active ingredients contain salbutamol (e.g., as the free base or the sulphate salt) or salmeterol (e.g., as the xinafoate salt) or formoterol (e.g. as the fumarate salt) in combination with an antiinflammatory steroid such as a beclomethasone ester (e.g., the dipropionate) or a fluticasone ester (e.g., the propionate) or budesonide. A particularly preferred combination is a combination of fluticasone propionate and salmeterol, or a salt thereof (particularly the xinafoate salt). A further combination of particular interest is budesonide and formoterol (e.g. as the fumarate salt).

It will be understood that the present disclosure is for the purpose of illustration only and the invention extends to modifications, variations and improvements thereto.

The application of which this description and claims form part may be used as a basis for priority in respect of any subsequent application. The claims of such subsequent application may be directed to any feature or combination of features described therein. They may take the form of product, method or use

claims and may include, by way of example and without limitation, one or more of the following claims:

**Claims**

1. A medicament dispenser comprising  
5 a medicament container having a dispensing outlet;  
an agitator for agitating the contents of the container; and  
a driver for driving said agitator independently of any movement of the container.  
10
2. A medicament dispenser according to claim 1, wherein the agitator  
comprises a movable element within said container.
3. A medicament dispenser according to claim 2, wherein the movable  
15 element is freely movable within the container.
4. A medicament dispenser according to claim 2, wherein the movable  
element is magnetically coupled to the driver.
- 20 5. A medicament dispenser according to claim 4, wherein either or both of  
the movable element or the driver comprises magnetic material or material  
which is magnetically inductive.
6. A medicament dispenser according to claim 3, wherein the movable  
25 element is mechanically coupled to the driver.
7. A medicament dispenser according to either of claims 3 or 6, wherein  
the container includes a rim defining an access hole, the movable element  
comprises a flexible sheath protruding through said access hole, and the driver  
30 comprises a rod insertable within said flexible sheath for agitation thereof.

8. A medicament dispenser according to claim 7, wherein the flexible sheath is in sealing contact with the rim.
- 5 9. A medicament dispenser according to claim 2, wherein the movable element is pneumatically drivable.
- 10 10. A medicament dispenser according to claim 2, wherein the movable element is hydraulically drivable.
- 11 11. A medicament dispenser according to claim 2, wherein the movable element is electrically drivable.
- 15 12. A medicament dispenser according to claim 11, wherein the movable element comprises a multi-component strip or wire which is deformable in response to electrical current flow.
- 20 13. A medicament dispenser according to claim 12, wherein said multi-component strip or wire comprises multiple layers of different metals.
- 25 14. A medicament dispenser according to claim 13, wherein the multi-component strip comprises a bimetallic strip.
15. A medicament dispenser according to either of claims 12 or 13, wherein the multi-component strip comprises at least one piezoelectric or piezoresistive material.
- 30 16. A medicament dispenser according to claim 15, wherein said multi-component wire comprises a nickel-titanium alloy.

17. A medicament dispenser according to any of claims 2 to 16, wherein the movable element is shaped to create turbulence within the container when agitated.
- 5 18. A medicament dispenser according to claim 1, wherein the agitator creates regions of pressure difference within the container.
19. A medicament dispenser according to claim 18, wherein the agitator comprises a piston mechanism within the container.
- 10 20. A medicament dispenser according to claim 19, wherein the piston mechanism is mechanically drivable by the driver.
21. A medicament dispenser according to claim 20, wherein the drive  
15 comprises a plunger for moving the piston.
22. A medicament dispenser according to claim 18, wherein the agitator provides wave energy to the interior of the container.
- 20 23. A medicament dispenser according to claim 22, wherein the agitator is an acoustic wave energy generator.
24. A medicament dispenser according to claim 22, wherein the agitator is  
25 a resonant wave energy generator.
- 25 25. A medicament dispenser according to any of claims 1 to 24, wherein the driver is associable with the container.
- 30 26. A medicament dispenser according to any of claims 1 to 5, additionally comprising a housing.

27. A medicament dispenser according to claim 26, wherein the driver is associable with said housing.
- 5 28. A medicament dispenser according to any of claims 1 to 27, wherein the driver comprises an energy store for storing energy which energy is releasable to drive the agitator.
- 10 29. A medicament dispenser according to claim 28, wherein said energy store comprises a biasable resilient member.
30. A medicament dispenser according to claim 29, wherein said biasable resilient member is a spring.
- 15 31. A medicament dispenser according to any of claims 28 to 30, wherein the energy store comprises a clockwork mechanism.
32. A medicament dispenser according to claim 28, wherein the energy store comprises a battery.
- 20 33. A medicament dispenser according to any of claims 1 to 32, wherein the driver is responsive to a patient-actuable trigger.
34. A medicament dispenser according to claim 33, wherein said trigger comprises a button, switch or lever arrangement.
- 25 35. A medicament dispenser according to claim 33, wherein the trigger comprises a sensor which senses the breath of a patient.

36. A medicament dispenser according to claim 35, wherein said sensor comprises a breath-movable element which is movable in response to the breath of a patient.

5 37. A medicament dispenser according to claim 36, wherein said breath-movable element is selected from the group consisting of a vane, a sail, a piston and an impeller.

10 38. A medicament dispenser according to claim 35, wherein the sensor comprises a pressure sensor for sensing the pressure profile associated with the breath of a patient.

15 39. A medicament dispenser according to claim 35, wherein the sensor comprises an airflow sensor for sensing the airflow profile associated with the breath of a patient.

20 40. A medicament dispenser according to claim 35, wherein the sensor comprises a temperature sensor for sensing the temperature profile associated with the breath of a patient.

41. A medicament dispenser according to claim 35, wherein the sensor comprises a moisture sensor for sensing the moisture profile associated with the breath of a patient.

25 42. A medicament dispenser according to claim 35, wherein the sensor comprises a gas sensor for sensing the oxygen or carbon dioxide profile associated with the breath of a patient.

43. A medicament dispenser according to any of claims 33 to 42, wherein dispensing from the dispensing outlet is responsive to a second patient-actuable trigger.

5 44. A medicament dispenser according to claim 43, wherein the patient-actuable triggers are coupled such that agitation and dispensing occurs in a sequential fashion.

10 45. A medicament dispenser according to any of claims 1 to 44, wherein said container is an aerosol container.

46. A medicament dispenser according to claim 45, comprising a metering valve at the dispensing outlet.

15 47. A medicament dispenser according to either of claims 45 or 46, wherein said aerosol container comprises a suspension of a medicament in a propellant.

20 48. A medicament dispenser according to claim 47, wherein said propellant comprises liquefied HFA134a, HFA-227 or carbon dioxide.

25 49. A medicament dispenser according to either of claims 47 or 48, wherein the medicament is selected from the group consisting of albuterol, salmeterol, fluticasone propionate, beclomethasone dipropionate, salts or solvates thereof and any mixtures thereof.

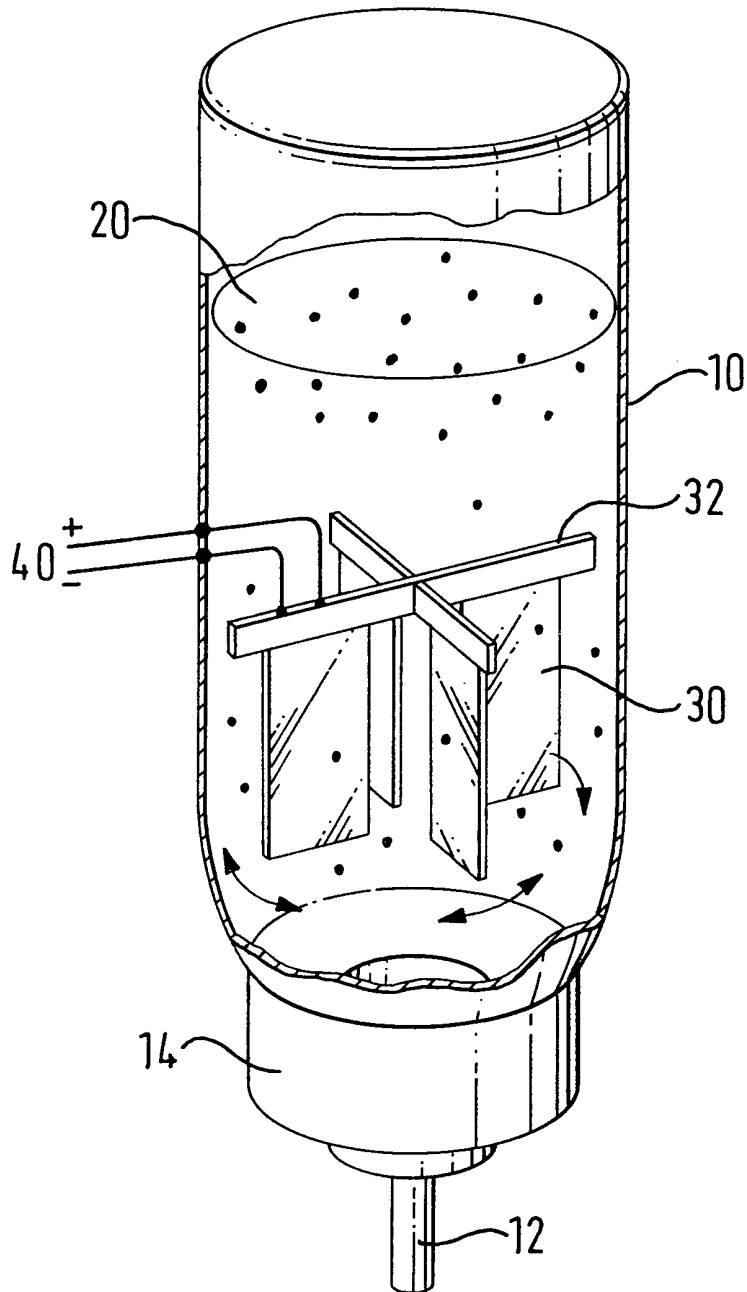


FIG. 1

2 / 4

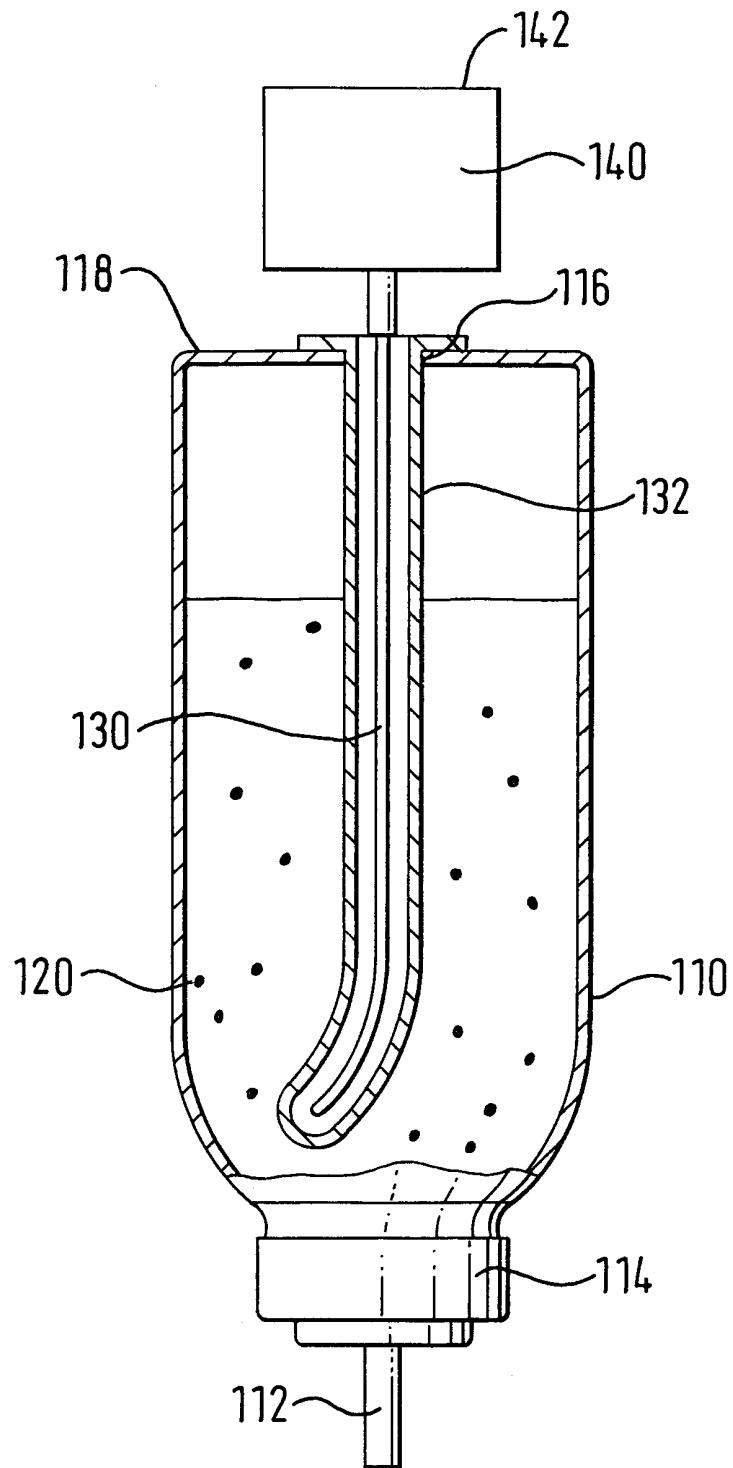


FIG. 2

3/4

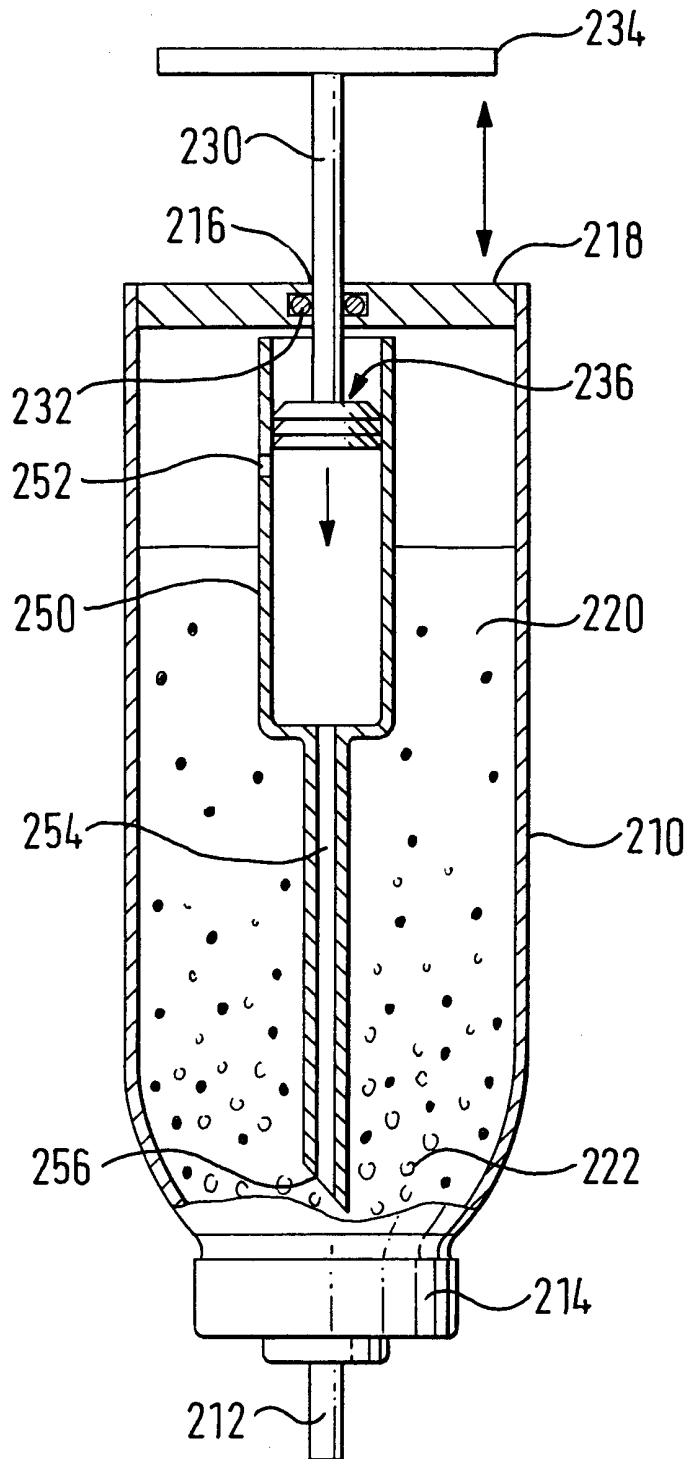


FIG. 3

