

(19) World Intellectual Property Organization
International Bureau



(43) International Publication Date
8 February 2007 (08.02.2007)

PCT

(10) International Publication Number
WO 2007/016399 A3

- (51) International Patent Classification:
A61B 5/05 (2006.01)
- (21) International Application Number:
PCT/US2006/029541
- (22) International Filing Date: 27 July 2006 (27.07.2006)
- (25) Filing Language: English
- (26) Publication Language: English
- (30) Priority Data:
11/192,773 29 July 2005 (29.07.2005) US
- (71) Applicant (for all designated States except US): **ABBOTT DIABETES CARE, INC.** [US/US]; 1360 South Loop Road, Alameda, CA 94502 (US).
- (72) Inventor: **STAFFORD, Gary, Ashley**; 962 Hotel Avenue, Hayward, CA 94541 (US).
- (74) Agent: **OH, Kuni**; Jackson & Co., LLP, 6114 La Salle Ave., #507, Oakland, CA 94611-2802 (US).
- (81) Designated States (unless otherwise indicated, for every kind of national protection available): AE, AG, AL, AM, AT, AU, AZ, BA, BB, BG, BR, BW, BY, BZ, CA, CH, CN, CO, CR, CU, CZ, DE, DK, DM, DZ, EC, EE, EG, ES, FI,

GB, GD, GE, GH, GM, HN, HR, HU, ID, IL, IN, IS, JP, KE, KG, KM, KN, KP, KR, KZ, LA, LC, LK, LR, LS, LT, LU, LV, LY, MA, MD, MG, MK, MN, MW, MX, MZ, NA, NG, NI, NO, NZ, OM, PG, PH, PL, PT, RO, RS, RU, SC, SD, SE, SG, SK, SL, SM, SY, TJ, TM, TN, TR, TT, TZ, UA, UG, US, UZ, VC, VN, ZA, ZM, ZW.

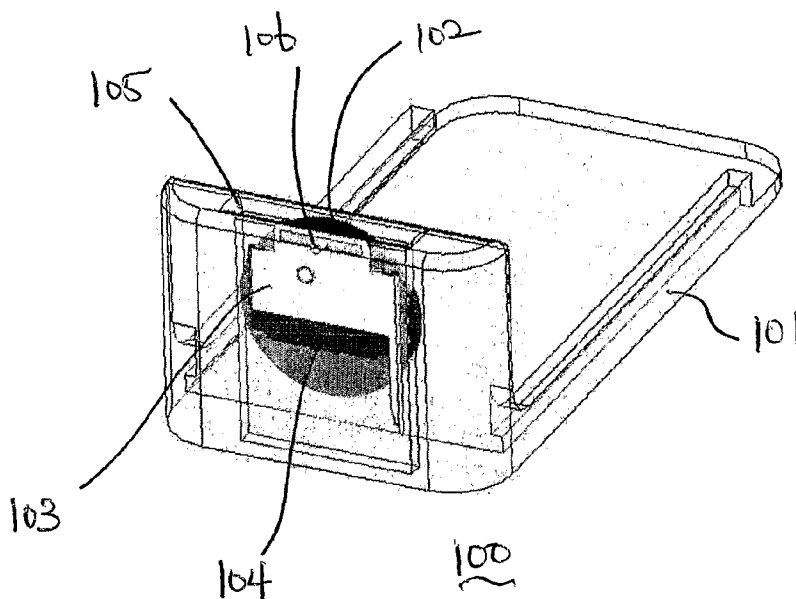
(84) Designated States (unless otherwise indicated, for every kind of regional protection available): ARIPO (BW, GH, GM, KE, LS, MW, MZ, NA, SD, SL, SZ, TZ, UG, ZM, ZW), Eurasian (AM, AZ, BY, KG, KZ, MD, RU, TJ, TM), European (AT, BE, BG, CH, CY, CZ, DE, DK, EE, ES, FI, FR, GB, GR, HU, IE, IS, IT, LT, LU, LV, MC, NL, PL, PT, RO, SE, SI, SK, TR), OAPI (BF, BJ, CF, CG, CI, CM, GA, GN, GQ, GW, ML, MR, NE, SN, TD, TG).

Published:
— with international search report
— before the expiration of the time limit for amending the claims and to be republished in the event of receipt of amendments

(88) Date of publication of the international search report:
31 May 2007

For two-letter codes and other abbreviations, refer to the "Guidance Notes on Codes and Abbreviations" appearing at the beginning of each regular issue of the PCT Gazette.

(54) Title: INSERTER AND METHODS OF USE



(57) Abstract: Method and apparatus for providing a housing integrated with a sensor introducer and a sensor in analyte monitoring system to deploy the sensor and retain the introducer within the housing upon sensor deployment, and mounting a transmitter to the housing to receive the sensor data is described. The housing may be placed on the skin of a patient and a spring biased mechanism, separately provided and coupled to the introducer or by integrally configuring the introducer, triggers the introducer to deploy the insertion mechanism for placement of the sensor at a predetermined depth under the skin of the patient.

WO 2007/016399 A3

INTERNATIONAL SEARCH REPORT

International application No.

PCT/US06/29541

A. CLASSIFICATION OF SUBJECT MATTER

IPC: A61B 5/05(2006.01)

USPC: 600/347

According to International Patent Classification (IPC) or to both national classification and IPC

B. FIELDS SEARCHED

Minimum documentation searched (classification system followed by classification symbols)

U.S. : 600/347, 345, 365

Documentation searched other than minimum documentation to the extent that such documents are included in the fields searched

Electronic data base consulted during the international search (name of data base and, where practicable, search terms used)

C. DOCUMENTS CONSIDERED TO BE RELEVANT

Category *	Citation of document, with indication, where appropriate, of the relevant passages	Relevant to claim No.
X --- Y	US 5,390,671 A (LORD et al) 21 February 1995 (21.02.1995), entire document, especially figures 4 and 5	1, 2, 11-13, 19-20 ----- 7-10
X --- Y	US 5,586,553 A (HALILI et al) 24 December 1996 (24.12.1996); entire document, especially figure 2	1, 3, 4 ----- 5, 6, 14-18
Y	US 6,248,067 B1 (CAUSEY et al) 19 June 2001 (19.06.2001); column 3 line 65 to column 4 line 20	5, 6, 17
Y	US 2005/0131346 A1 (DOUGLAS) 16 June 2005 (16.06.2005), paragraphs [0034], [0037], [0039]-[0041], [0044]-[0047]	7-10, 14-18
Y	US 2004/0010207 A1 (FLAHERTY et al) 15 January 2004 (15.01.2004); paragraphs [0012], [0014], [0126], [0129]	8

Further documents are listed in the continuation of Box C.

See patent family annex.

* Special categories of cited documents:

"A" document defining the general state of the art which is not considered to be of particular relevance

"E" earlier application or patent published on or after the international filing date

"L" document which may throw doubts on priority claim(s) or which is cited to establish the publication date of another citation or other special reason (as specified)

"O" document referring to an oral disclosure, use, exhibition or other means

"P" document published prior to the international filing date but later than the priority date claimed

"T" later document published after the international filing date or priority date and not in conflict with the application but cited to understand the principle or theory underlying the invention

"X" document of particular relevance; the claimed invention cannot be considered novel or cannot be considered to involve an inventive step when the document is taken alone

"Y" document of particular relevance; the claimed invention cannot be considered to involve an inventive step when the document is combined with one or more other such documents, such combination being obvious to a person skilled in the art

"&" document member of the same patent family

Date of the actual completion of the international search

29 March 2007 (29.03.2007)

Date of mailing of the international search report

24 APR 2007

Name and mailing address of the ISA/US

Mail Stop PCT, Attn: ISA/US
Commissioner of Patents
P.O. Box 1450
Alexandria, Virginia 22313-1450

Facsimile No. (571) 273-3201

Authorized officer

Charles Marmor, II *Sharon Marmor for*
Telephone No. 571-272-3700