

(19) World Intellectual Property Organization
International Bureau



(43) International Publication Date
19 October 2000 (19.10.2000)

PCT

(10) International Publication Number
WO 00/61383 A3

(51) International Patent Classification⁷: B44F 1/06, E06B 3/66, B44C 5/04, B44F 1/04, 1/08, G09F 13/24

(74) Agents: MICHELOTTI, Giuliano et al.; Galleria San Babila, 4/C, I-20122 Milano (IT).

(21) International Application Number: PCT/EP00/03331

(81) Designated State (*national*): US.

(22) International Filing Date: 11 April 2000 (11.04.2000)

(84) Designated States (*regional*): European patent (AT, BE, CH, CY, DE, DK, ES, FI, FR, GB, GR, IE, IT, LU, MC, NL, PT, SE).

(25) Filing Language: English

(26) Publication Language: English

Published:
— With international search report.

(30) Priority Data:
MI99A000741 12 April 1999 (12.04.1999) IT
VA2000A0004 7 March 2000 (07.03.2000) IT

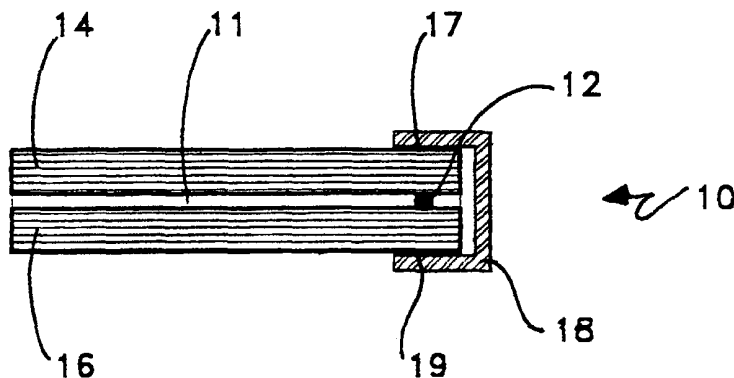
(88) Date of publication of the international search report:
5 April 2001

(71) Applicant and
(72) Inventor: BARBAN, Gianfranco [IT/IT]; Via Arconti, 45, I-21013 Gallarate (IT).

For two-letter codes and other abbreviations, refer to the "Guidance Notes on Codes and Abbreviations" appearing at the beginning of each regular issue of the PCT Gazette.



(54) Title: METHOD FOR MANUFACTURING TRANSPARENT MEMBERS, SUCH AS GLASS AND THE LIKE, AND ARTICLES OBTAINED WITH THE METHOD ITSELF



(57) Abstract: Method for manufacturing transparent members (10) consisting in forming a chamber (11) between two plates (14, 16), by interposing gaskets and/or rigid profiles (12, 18) and sealing the chamber (11) to maintain the liquid therein. It is possible that one of the plates (14, 16), defining the chamber (11), is provided with valve means to allow admission, removal and replacement of the liquid, or the same valve means is located on the perimeter of the chamber (11).

WO 00/61383 A3

INTERNATIONAL SEARCH REPORT

International Application No

PCT/EP 00/03331

A. CLASSIFICATION OF SUBJECT MATTER		
IPC 7	B44F1/06 G09F13/24	E06B3/66 B44C5/04 B44F1/04 B44F1/08
According to International Patent Classification (IPC) or to both national classification and IPC		
B. FIELDS SEARCHED		
Minimum documentation searched (classification system followed by classification symbols)		
IPC 7 B44F B32B E06B B44C G09F		
Documentation searched other than minimum documentation to the extent that such documents are included in the fields searched		
Electronic data base consulted during the international search (name of data base and, where practical, search terms used)		
WPI Data, PAJ, EPO-Internal		
C. DOCUMENTS CONSIDERED TO BE RELEVANT		
Category °	Citation of document, with indication, where appropriate, of the relevant passages	Relevant to claim No.
X	US 4 390 240 A (BOOKBINDER CARL) 28 June 1983 (1983-06-28) column 2, line 67 -column 3, line 15 column 4, line 17 - line 36 column 4, line 47 - line 56	1,4
X	FR 2 349 720 A (PARRIER ANDRE) 25 November 1977 (1977-11-25) page 1, line 29 -page 2, line 37	1,4
X	WO 88 03518 A (MOUALLEM ALBERT NAYEF) 19 May 1988 (1988-05-19) page 1, line 10 - line 18	1,4
X	US 3 424 515 A (RISK GEORGE) 28 January 1969 (1969-01-28) column 2, line 54 -column 3, line 60 -/--	1,4
<input checked="" type="checkbox"/> Further documents are listed in the continuation of box C. <input checked="" type="checkbox"/> Patent family members are listed in annex.		
° Special categories of cited documents :		
"A" document defining the general state of the art which is not considered to be of particular relevance "E" earlier document but published on or after the international filing date "L" document which may throw doubts on priority claim(s) or which is cited to establish the publication date of another citation or other special reason (as specified) "O" document referring to an oral disclosure, use, exhibition or other means "P" document published prior to the international filing date but later than the priority date claimed		"T" later document published after the international filing date or priority date and not in conflict with the application but cited to understand the principle or theory underlying the invention "X" document of particular relevance; the claimed invention cannot be considered novel or cannot be considered to involve an inventive step when the document is taken alone "Y" document of particular relevance; the claimed invention cannot be considered to involve an inventive step when the document is combined with one or more other such documents, such combination being obvious to a person skilled in the art. "&" document member of the same patent family
Date of the actual completion of the international search		Date of mailing of the international search report
19 December 2000		09. 01. 2001
Name and mailing address of the ISA		Authorized officer
European Patent Office, P.B. 5818 Patentlaan 2 NL - 2280 HV Rijswijk Tel. (+31-70) 340-2040, Tx. 31 651 epo nl, Fax: (+31-70) 340-3016		Herrmann, J

INTERNATIONAL SEARCH REPORT

Intel International Application No
PCT/EP 00/03331

C.(Continuation) DOCUMENTS CONSIDERED TO BE RELEVANT		
Category °	Citation of document, with indication, where appropriate, of the relevant passages	Relevant to claim No.
A	AT 351 223 B (ZOEPNEK HANS ;ZOEPNEK HANS (OB)) 10 July 1979 (1979-07-10) the whole document	1
A	US 4 756 938 A (HICKMAN JAMES ARTHUR ALBERT) 12 July 1988 (1988-07-12) figures 2,3	1
A	EP 0 169 509 A (HETTLING DENKER RENATE) 29 January 1986 (1986-01-29) page 2, line 13 -page 4, line 14	1,4,16
A	US 4 798 695 A (REDEL DIETER G) 17 January 1989 (1989-01-17) column 1, line 38 -column 2, line 4	1,4,16
A	US 5 271 973 A (HUETHER GORDON A) 21 December 1993 (1993-12-21) column 1, line 36 -column 2, line 12	1,4,16

INTERNATIONAL SEARCH REPORT

International application No.
PCT/EP 00/03331

Box I Observations where certain claims were found unsearchable (Continuation of item 1 of first sheet)

This International Search Report has not been established in respect of certain claims under Article 17(2)(a) for the following reasons:

1. Claims Nos.:
because they relate to subject matter not required to be searched by this Authority, namely:

2. Claims Nos.:
because they relate to parts of the International Application that do not comply with the prescribed requirements to such an extent that no meaningful International Search can be carried out, specifically:

3. Claims Nos.:
because they are dependent claims and are not drafted in accordance with the second and third sentences of Rule 6.4(a).

Box II Observations where unity of invention is lacking (Continuation of item 2 of first sheet)

This International Searching Authority found multiple inventions in this international application, as follows:

see additional sheet

1. As all required additional search fees were timely paid by the applicant, this International Search Report covers all searchable claims.

2. As all searchable claims could be searched without effort justifying an additional fee, this Authority did not invite payment of any additional fee.

3. As only some of the required additional search fees were timely paid by the applicant, this International Search Report covers only those claims for which fees were paid, specifically claims Nos.:

1 2 4 13 14 15 16 17-37

4. No required additional search fees were timely paid by the applicant. Consequently, this International Search Report is restricted to the invention first mentioned in the claims; it is covered by claims Nos.:

Remark on Protest

- The additional search fees were accompanied by the applicant's protest.
- No protest accompanied the payment of additional search fees.

FURTHER INFORMATION CONTINUED FROM PCT/ISA/ 210

This International Searching Authority found multiple (groups of) inventions in this international application, as follows:

1. Claims: 1, 2, 4, 13, 14, 15

method for giving particular desired and variable colours to large size vertically arranged, transparent or semitransparent members of glass or the like by forming inside an article to be coloured, chambers suited to be filled by one or more coloured liquids and the chambers are provided into plate assemblies of which at least one is transparent, by superimposing of at least two of the plates and interposition of a gasket peripherally arranged for defining the chambers. Two plates are surrounded by a containing profile pressing the gasket (which is as in claim 2 dependent on claim 1)

2. Claim : 3

method for giving particular desired and variable colours to large size vertically arranged, transparent or semitransparent members of glass or the like by forming inside an article to be coloured, chambers suited to be filled by one or more coloured liquids and the chambers are provided into plate assemblies of which at least one is transparent, by superimposing of at least two of the plates and interposition of a gasket peripherally arranged for defining the chambers. The two plates are bonded by adhesive arranged outside the gasket, if existing. (which is as claim 3 dependent from claim 1)

3. Claims: 16, 17-37

method for giving particular desired and variable colours to large size vertically arranged, transparent or semitransparent members of glass or the like by forming inside an article to be coloured, chambers suited to be filled by one or more coloured liquids and the chambers are provided into plate assemblies of which at least one is transparent, by superimposing of at least two of the plates and interposition of a gasket peripherally arranged for defining the chambers. Two plates are each other parallel and are made of materials having the substantially equal physical properties and a transparent or semi transparent image, provided by a film is sandwiched between two transparent plates (which is as claim 16 dependent on claim 4 and which is dependent on claim 1)

4. Claim : 5

method for giving particular desired and variable colours to large size vertically arranged, transparent or

FURTHER INFORMATION CONTINUED FROM PCT/ISA/ 210

semitransparent members of glass or the like by forming inside an article to be coloured, chambers suited to be filled by one or more coloured liquids and the chambers are provided into plate assemblies of which at least one is transparent, by superimposing of at least two of the plates and interposition of a gasket peripherally arranged for defining the chambers. One of the plates is treated with reflecting material such as paints or silver coatings (which is as claim 5 dependent from claim 1)

5. Claim : 6

method for giving particular desired and variable colours to large size vertically arranged, transparent or semitransparent members of glass or the like by forming inside an article to be coloured, chambers suited to be filled by one or more coloured liquids and the chambers are provided into plate assemblies of which at least one is transparent, by superimposing of at least two of the plates and interposition of a gasket peripherally arranged for defining the chambers. One of the plates is coupled to a plate of either metal or other reflecting material. (which is claim 6 dependent on claim 1)

6. Claims: 7-12

method for giving particular desired and variable colours to large size vertically arranged, transparent or semitransparent members of glass or the like by forming inside an article to be coloured, chambers suited to be filled by one or more coloured liquids and the chambers are provided into plate assemblies of which at least one is transparent, by superimposing of at least two of the plates and interposition of a gasket peripherally arranged for defining the chambers. And admitting in the chambers a coloured liquid, such as water, a glycol, hydrocarbons and the like, allowing transparency and colouring, through at least a hole, providing of sealing means to allow admission and removal of the liquid itself (which is as claim 7 dependent on claim 1)

INTERNATIONAL SEARCH REPORT

Information on patent family members

International Application No

PCT/EP. 00/03331

Patent document cited in search report	A	Publication date	Patent family member(s)	Publication date
US 4390240	A	28-06-1983	NONE	
FR 2349720	A	25-11-1977	NONE	
WO 8803518	A	19-05-1988	BR 8605657 A AU 8170487 A	14-06-1988 01-06-1988
US 3424515	A	28-01-1969	NONE	
AT 351223	B	10-07-1979	AT 511776 A	15-12-1978
US 4756938	A	12-07-1988	AU 585427 B AU 6801587 A GB 2178363 A, B	15-06-1989 04-08-1988 11-02-1987
EP 0169509	A	29-01-1986	DE 3427106 C AT 101422 T DE 3587749 D	10-10-1985 15-02-1994 24-03-1994
US 4798695	A	17-01-1989	EP 0240584 A AT 57341 T DE 3674918 D	14-10-1987 15-10-1990 15-11-1990
US 5271973	A	21-12-1993	AU 5297293 A BR 9307161 A CA 2145401 A EP 0674738 A JP 8502233 T WO 9408107 A	26-04-1994 30-03-1999 14-04-1994 04-10-1995 12-03-1996 14-04-1994