



US00D773345S

(12) **United States Design Patent**  
**Borkholder**

(10) **Patent No.:** **US D773,345 S**

(45) **Date of Patent:** **\*\* Dec. 6, 2016**

(54) **ADJUSTABLE TORSION HITCH**  
(71) Applicant: **Carl J. Borkholder**, Bremen, IN (US)

*Primary Examiner* — Katrina A Betton  
(74) *Attorney, Agent, or Firm* — Botkin & Hall, LLP

(72) Inventor: **Carl J. Borkholder**, Bremen, IN (US)

(\*\*) Term: **15 Years**

(57) **CLAIM**

(21) Appl. No.: **29/536,732**

The ornamental design for an adjustable torsion hitch, as shown and described.

(22) Filed: **Aug. 19, 2015**

(51) **LOC (10) Cl.** ..... **12-16**

(52) **U.S. Cl.**  
USPC ..... **D12/162**

(58) **Field of Classification Search**  
USPC ..... D12/162, 159, 160, 161  
CPC ..... B60D 1/60; B60D 1/065; B60D 1/00;  
B60D 1/06  
See application file for complete search history.

**DESCRIPTION**

(56) **References Cited**

**U.S. PATENT DOCUMENTS**

D326,834	S	*	6/1992	Kuhlemeier	.....	D12/162
D576,085	S	*	9/2008	Devlin	.....	D12/162
7,455,313	B2	*	11/2008	Yokosh	.....	B60D 1/60
						150/166
D591,208	S	*	4/2009	Wubker, Jr.	.....	D12/162
D620,403	S	*	7/2010	Blankenship	.....	D12/162
D628,128	S	*	11/2010	Sanders	.....	D12/162
2012/0049484	A1	*	3/2012	Brass	.....	B60D 1/60
						280/507

FIG. 1 is a rear isometric view of the adjustable torsion hitch;  
FIG. 2 is a front isometric view of the adjustable torsion hitch of FIG. 1;  
FIG. 3 is a top view of the adjustable torsion hitch of FIG. 1;  
FIG. 4 is a bottom view of the adjustable torsion hitch of FIG. 1;  
FIG. 5 is a left view of the adjustable torsion hitch of FIG. 1;  
FIG. 6 is a right view of the adjustable torsion hitch of FIG. 1;  
FIG. 7 is a front view of the adjustable torsion hitch of FIG. 1; and,  
FIG. 8 is a back view of the adjustable torsion hitch of FIG. 1.

\* cited by examiner

**1 Claim, 4 Drawing Sheets**

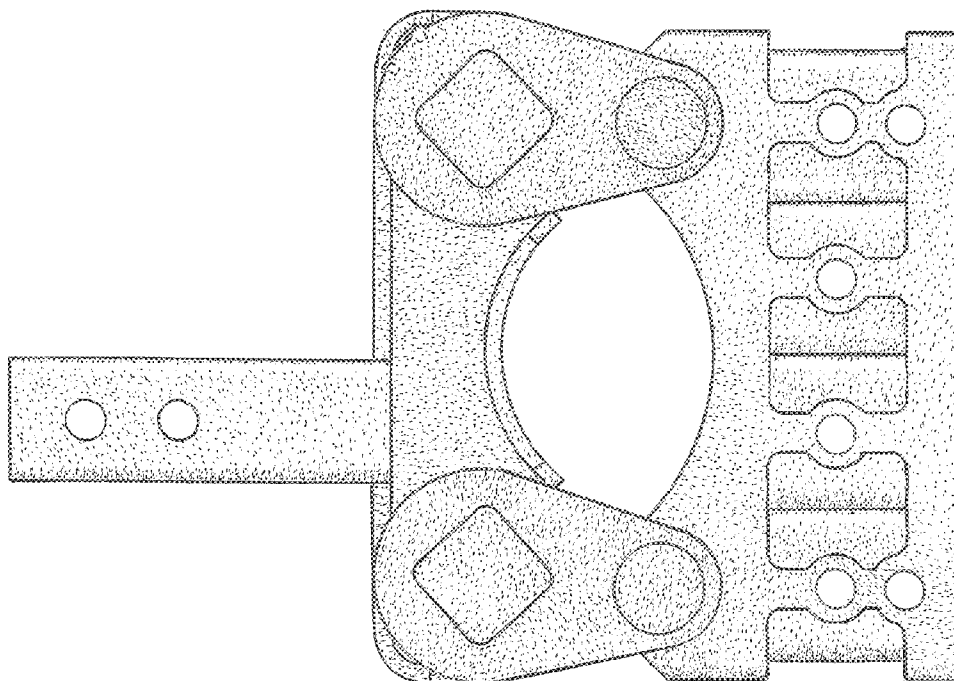


FIG. 1

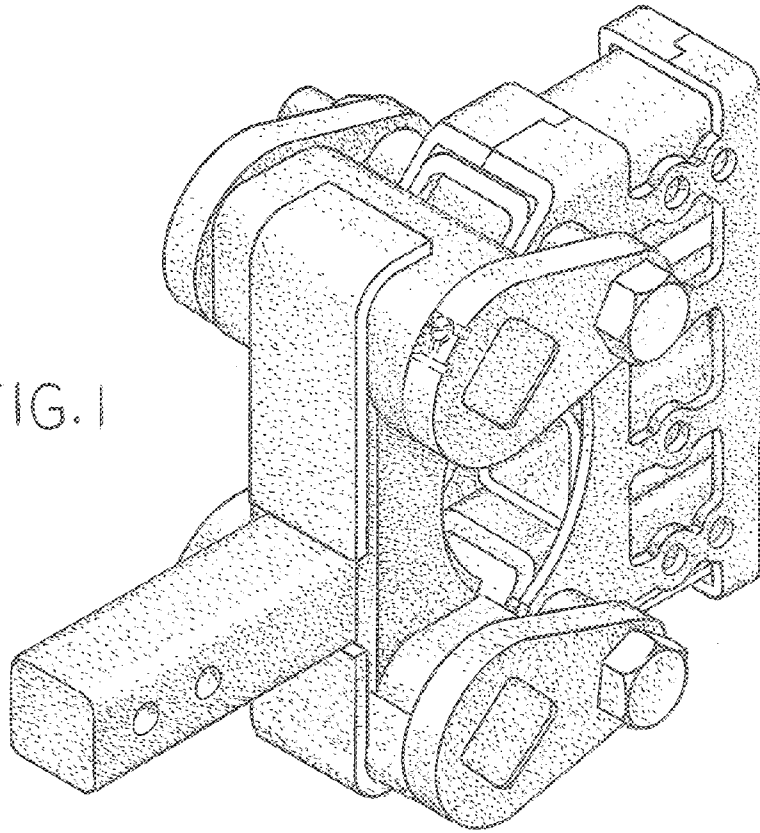


FIG. 2

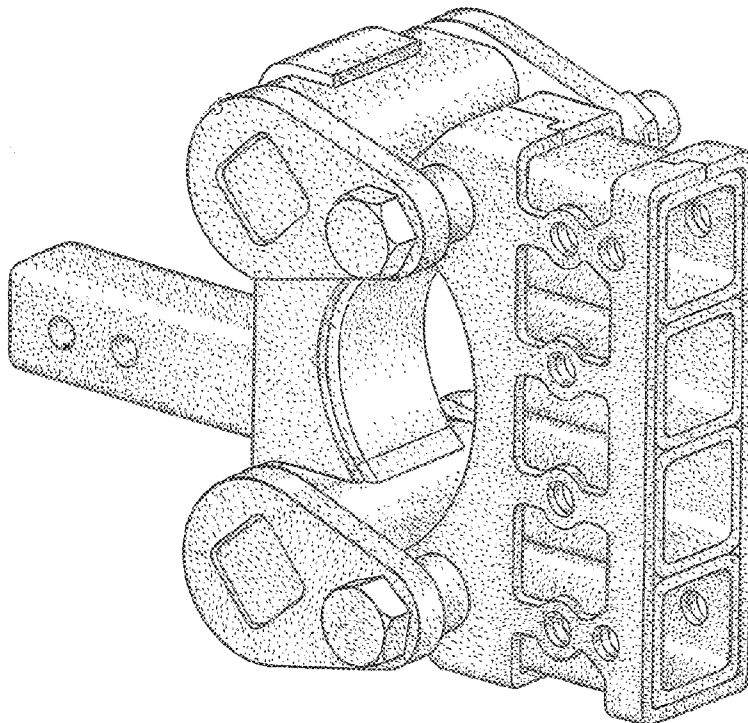


FIG 3

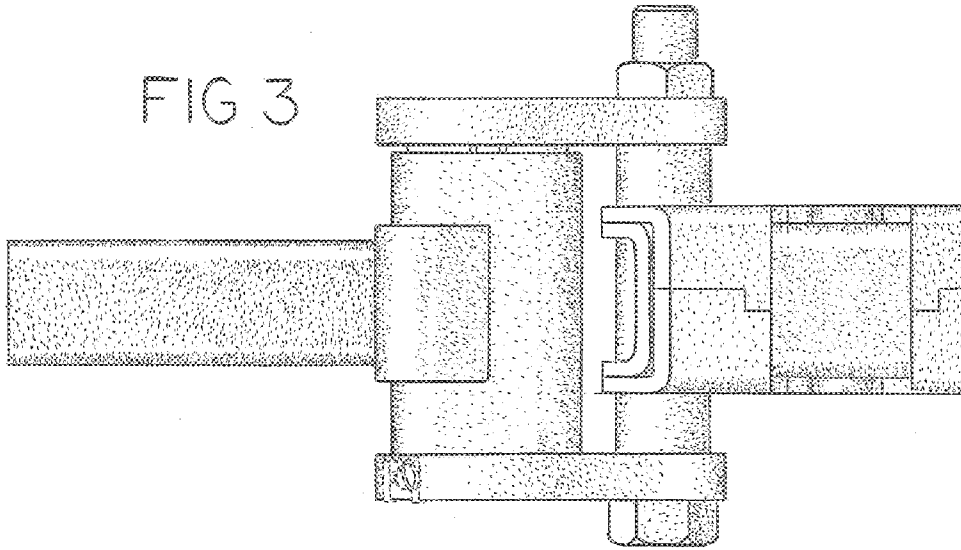
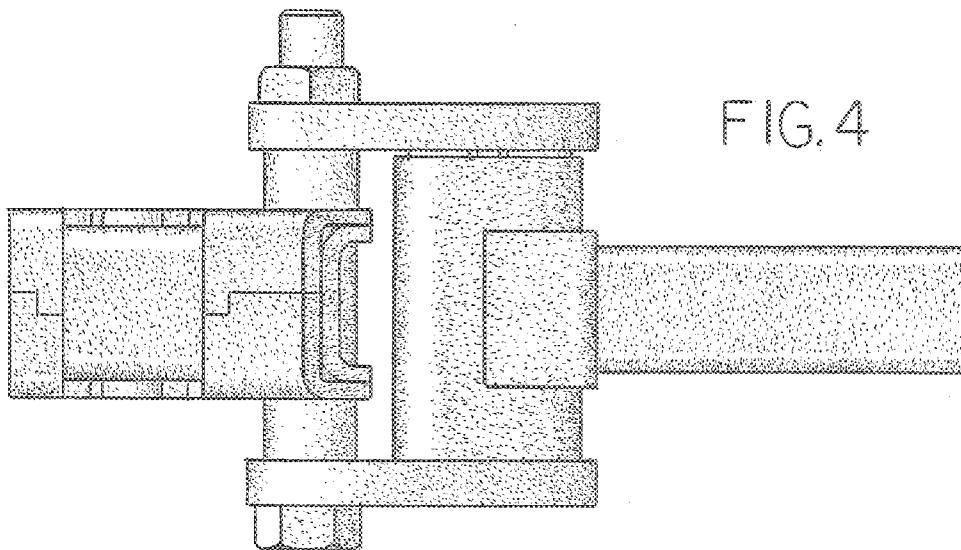


FIG. 4



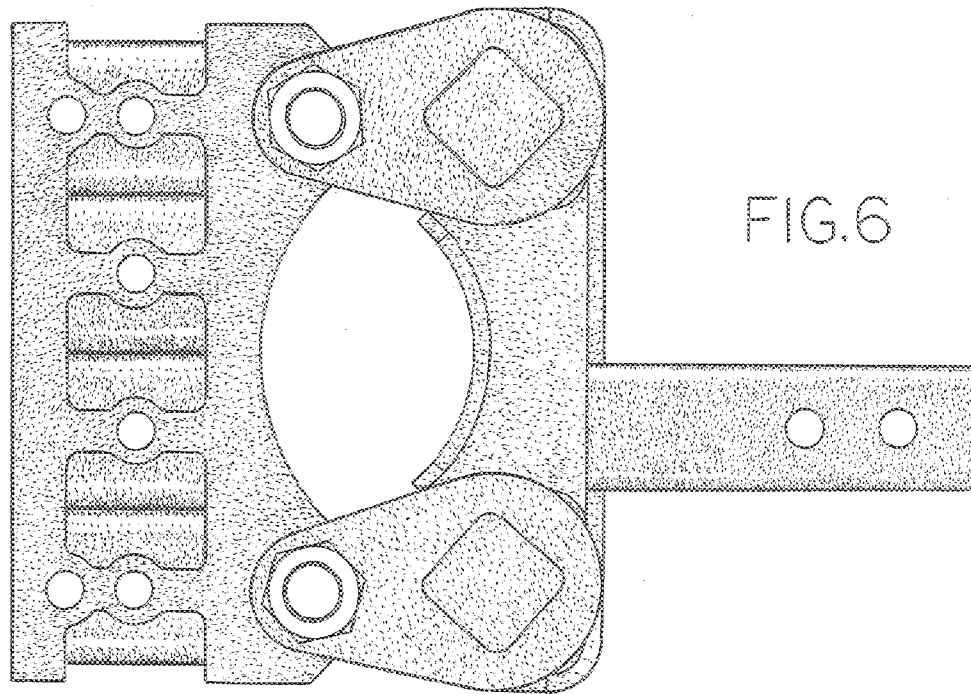
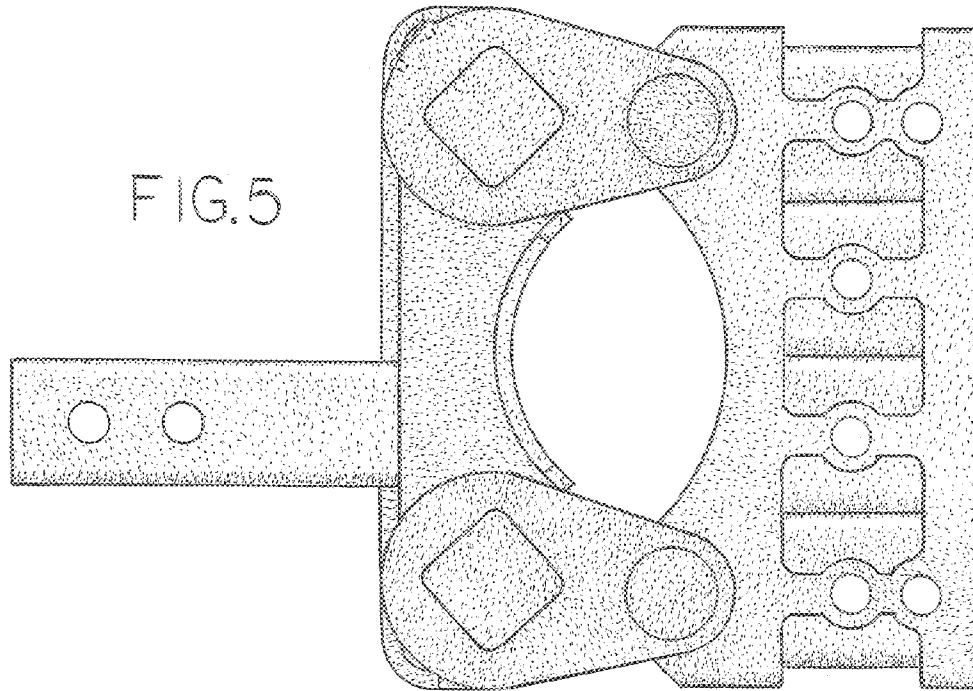


FIG.7

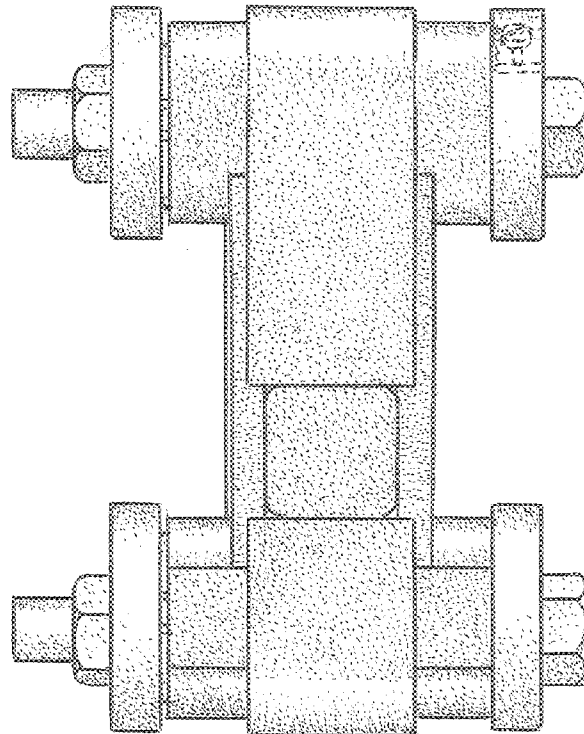
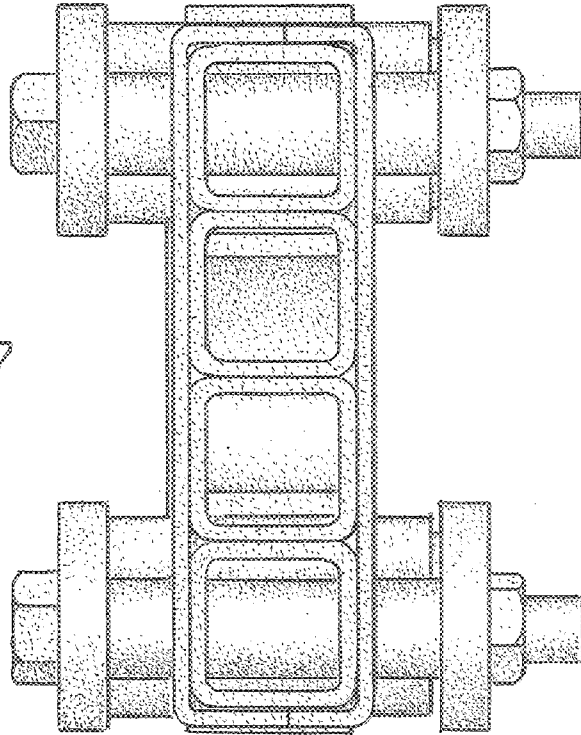


FIG 8