

218,680

## CAMPER BODY

Robert D. Hall, 10320 Sunland Blvd.,  
Sunland, Calif. 91040

Filed Jan. 26, 1970, Ser. No. 21,076

Term of patent 14 years

Int. Cl. D12-10

U.S. Cl. D14-3

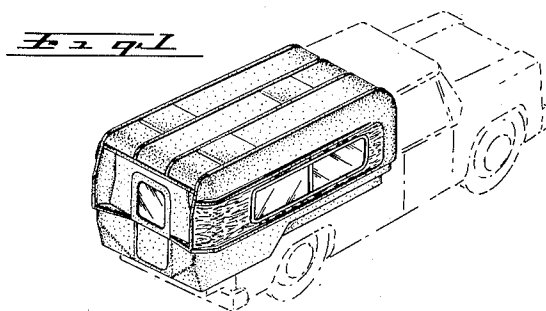


Fig. 2

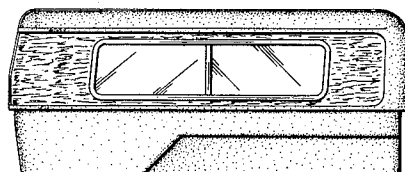


Fig. 3

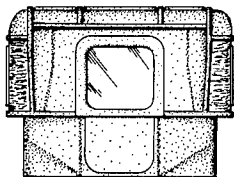


Fig. 4

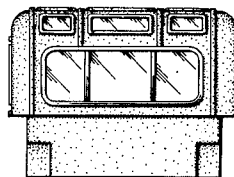


Fig. 5

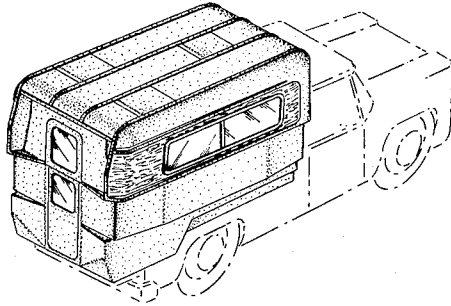


Fig. 6

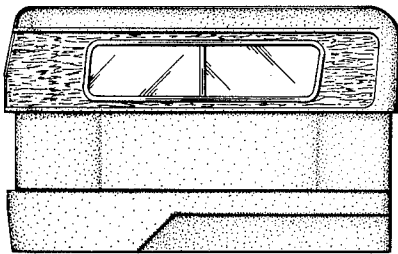


Fig. 7

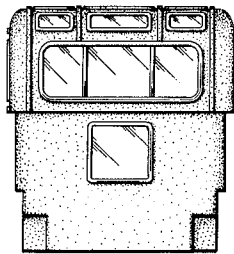


Fig. 8

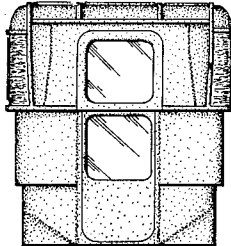


FIG. 1 is an isometric view of a camper body in contracted position showing my new design;

FIG. 2 is a side elevational view thereof in contracted position;

FIG. 3 is an elevational view of the back end thereof in contracted position;

FIG. 4 is an elevational view of the front end thereof in contracted position;

FIG. 5 is an isometric view of the camper body in expanded position;

FIG. 6 is a side elevational view thereof in expanded position;

FIG. 7 is an elevational view of the front end thereof in expanded position; and

FIG. 8 is an elevational view of the back end thereof in expanded position.

The side not shown is a mirror image of the side

shown. The vehicle shown in broken lines in FIGS. 1 and 5 is included for illustrative purposes only.

I claim:

The ornamental design for a camper body, substantially as shown and described.

**References Cited**

**UNITED STATES PATENTS**

D. 194,455	1/1963	McIntosh	-----	D14-3
3,123,393	3/1964	Markwick	-----	D14-3

**OTHER REFERENCES**

Mobile Home/Travel Trailer Dealer, Sept. 20, 1968, p. 152, camper at left.

J. PAUL GUERTIN, Primary Examiner