



(51) International Patent Classification:

H02K 7/116 (2006.01) H02K 21/14 (2006.01)
H02K 1/27 (2006.01)

(21) International Application Number:

PCT/AU2019/050375

(22) International Filing Date:

26 April 2019 (26.04.2019)

(25) Filing Language:

English

(26) Publication Language:

English

(30) Priority Data:

1806899.9 27 April 2018 (27.04.2018) GB

(71) Applicant: INTELLITECH PTY LTD [AU/AU]; 19
Johnstone Street, Malvern, Victoria 3144 (AU).

(72) Inventors: SHLAKHETSKI, Victor; 4/88 Tveria Street,
7878708 Ashqelon (IL). MOSTOVOY, Alexander; 2/3
Aseret Hashvatrim Street, 7868003 Ashqelon (IL).

(74) Agent: WRAYS PTY LTD; Level 7, 863 Hay Street, Perth,
Western Australia 6000 (AU).

(81) Designated States (unless otherwise indicated, for every
kind of national protection available): AE, AG, AL, AM,
AO, AT, AU, AZ, BA, BB, BG, BH, BN, BR, BW, BY, BZ,
CA, CH, CL, CN, CO, CR, CU, CZ, DE, DJ, DK, DM, DO,
DZ, EC, EE, EG, ES, FI, GB, GD, GE, GH, GM, GT, HN,

HR, HU, ID, IL, IN, IR, IS, JO, JP, KE, KG, KH, KN, KP,
KR, KW, KZ, LA, LC, LK, LR, LS, LU, LY, MA, MD, ME,
MG, MK, MN, MW, MX, MY, MZ, NA, NG, NI, NO, NZ,
OM, PA, PE, PG, PH, PL, PT, QA, RO, RS, RU, RW, SA,
SC, SD, SE, SG, SK, SL, SM, ST, SV, SY, TH, TJ, TM, TN,
TR, TT, TZ, UA, UG, US, UZ, VC, VN, ZA, ZM, ZW.

(84) Designated States (unless otherwise indicated, for every
kind of regional protection available): ARIPO (BW, GH,
GM, KE, LR, LS, MW, MZ, NA, RW, SD, SL, ST, SZ, TZ,
UG, ZM, ZW), Eurasian (AM, AZ, BY, KG, KZ, RU, TJ,
TM), European (AL, AT, BE, BG, CH, CY, CZ, DE, DK,
EE, ES, FI, FR, GB, GR, HR, HU, IE, IS, IT, LT, LU, LV,
MC, MK, MT, NL, NO, PL, PT, RO, RS, SE, SI, SK, SM,
TR), OAPI (BF, BJ, CF, CG, CI, CM, GA, GN, GQ, GW,
KM, ML, MR, NE, SN, TD, TG).

Published:

— with international search report (Art. 21(3))

(54) Title: ROTATIONALLY BALANCED ELECTRIC MOTOR WITH AIR-CORE STATOR COILS

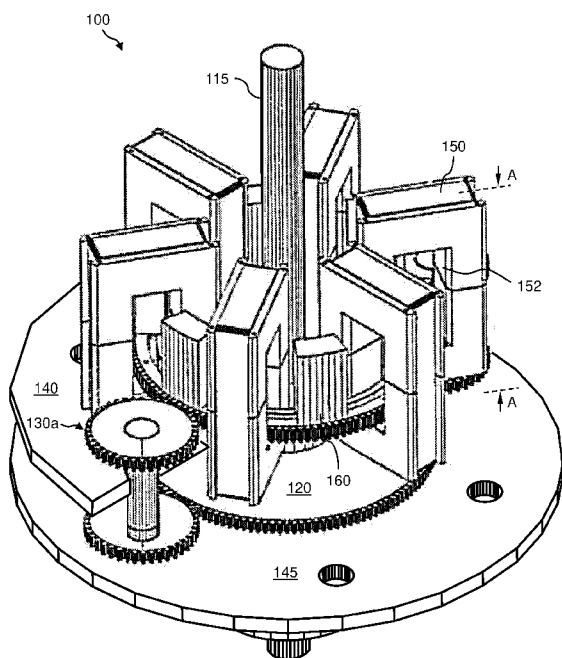


FIG. 3

(57) Abstract: A rotationally balanced electric motor with air-core stator coils having a casing; a magnet-equipped and externally geared annular rotor; an output shaft with a longitudinal axis positioned at a center of the rotor; a plurality of circumferentially spaced air-core stator coils connected to the casing and encircling the rotor; an externally geared disc parallel to the rotor and connected to, and concentric with, the output shaft; and a plurality of symmetrically positioned common-shaft gear pairs configured to transmit motion from the rotor to the disc and thereby transmitting power to the output shaft without interfering with any of the plurality of air-core stator coils.



ROTATIONALLY BALANCED ELECTRIC MOTOR WITH AIR-CORE STATOR COILSCROSS REFERENCE TO RELATED APPLICATIONS

[0001] This application claims priority to GB 1806899.9, filed April 27, 2018, the entirety of which is incorporated herein by reference.

TECHNICAL FIELD

[0002] The present invention relates to the field of electric motors.

BACKGROUND

[0003] Electric motors typically include a stator and a rotor, and may be configured with air-core stator coils to transfer power with a relatively high power density while maintaining a compact design.

[0004] Notwithstanding certain benefits, electric motors that include air-core stator coils can suffer from various drawbacks and disadvantages. For example, such motors often transfer power from the rotor to a load by means of an output shaft. Prior art motors have utilized geared elements to transfer power to the output shaft to prevent interference with the air-core stator coils. However, such motors can suffer from rotational imbalance where a single geared element is mechanically connected to the output shaft, thereby requiring the load to be radially outside the rotation of the rotor. To avoid generating periodic linear and torsional forces perpendicular to the axis of rotation of the rotor, which can result in undesirable vibration, an electric motor should be rotationally balanced. Motor failure may result if the amplitude of such vibrations become excessive.

[0005] The present invention seeks to provide a rotationally balanced electric motor configured with air-core stator coils that may efficiently transfer power to the output shaft and load without interference with the stator coils. Other aspects and advantages of the invention will become apparent as the description proceeds.

[0006] The preceding discussion of the background art is intended to facilitate an understanding of the present invention only. The discussion is not an acknowledgement or admission that any of the material referred to is or was part of the common general knowledge as at the priority date of the application.

SUMMARY

[0007] It is an object of this invention to provide a rotationally balanced electric motor which ameliorates, mitigates or overcomes, at least one disadvantage of the prior art, or which will at least provide the public with a practical choice.

[0008] A rotationally balanced electric motor is presented that may include a magnet-equipped annular rotor which rotates by interacting with a plurality of circumferentially spaced air-core stator coils that each encircle the rotor. Electromagnetic fields are induced when the stator coils are energized with electric current, and an induced electromagnetic field may interact with the magnetic field of each permanent magnet of the rotor to initiate rotation. The rotor may continue to rotate while the permanent magnets are introduced within the interior of each stator coil.

[0009] Some of the drawbacks of transferring power by prior art electric motors configured with air-core stator coils have been obviated by the disclosure herein by providing, for example, an externally geared disc connected to the output shaft which may be parallel to the annular and externally geared rotor. Each of a plurality of symmetrically positioned common-shaft gear pairs may serve to transmit motion from the rotor to the disc and to thereby transmit power to the output shaft, without interfering with the air-core stator coils and while maintaining rotational balance of the motor.

[0010] The present invention provides a rotationally balanced electric motor with air-core stator coils including a magnet-equipped and externally geared annular rotor; an output shaft with a longitudinal axis positioned at a center of the rotor; a plurality of circumferentially spaced air-core stator coils encircling the rotor; an externally geared disc parallel to the rotor and connected to, and concentric with, the output shaft; and a plurality of symmetrically positioned common-shaft gear pairs configured to transmit motion from the rotor to the disc and to thereby transmit power to the output shaft without interfering with any of said plurality of air-core stator coils.

[0011] In one aspect, the common shaft of each of the plurality of gear pairs may be rotatably mounted within two parallel surfaces of a casing. The casing may be hollow, and the rotor, the disc, the plurality of air-core stator coils, and the plurality of gear pairs may all be housed within an interior of the casing.

[0012] In one aspect, the motor may further include an annular bearing member for radially supporting the rotor, and a plurality of circumferentially spaced support posts extending for example in a direction parallel to the longitudinal axis of the output shaft and connected to an inner race of said bearing member. The bearing member may be a rotor-integrated bearing member which may be configured such that a plurality of rolling elements are retained between a rotor portion constituting an outer race of said rotor-integrated bearing member and an inner race portion, and that the rotor portion may be provided with external gearing that intermeshes with a first gear of the plurality of common-shaft gear pairs.

[0013] The present invention further provides a rotationally balanced electric motor with air-core stator coils, comprising:

- a) a casing;
- b) a magnet-equipped and externally geared annular rotor;
- c) an output shaft with a longitudinal axis positioned at a center of said rotor;
- d) a plurality of circumferentially spaced air-core stator coils connected to said casing and encircling said rotor;
- e) an externally geared disc parallel to said rotor and connected to, and concentric with, said output shaft; and
- f) a plurality of symmetrically positioned common-shaft gear pairs configured to transmit motion from said rotor to said disc and to thereby transmit power to said output shaft without interfering with any of said plurality of air-core stator coils.

BRIEF DESCRIPTION OF THE DRAWINGS

Preferred embodiments of the present invention will now be described, by way of example only, with reference to the accompanying drawings, in which:

[0014] Fig. 1 is a perspective view of a motor according to one embodiment of the present disclosure, shown without certain features for clarity;

[0015] Fig. 2 is a perspective view of the motor of Fig. 1, showing certain additional mounting features;

[0016] Fig. 3 is a perspective view of the motor of Fig. 1, shown with the stator coils and the permanent magnets;

[0017] Fig. 4 is a cross-sectional view cut along plane A-A of Fig. 3, showing a rotor-integrated bearing member and permanent magnet when introduced within the air-core of a stator coil;

[0018] Fig. 5 is a perspective view of a housing and casing for enclosing, for example, the motor of Figs. 1-4; and

[0019] Fig. 6 is a longitudinal cross-sectional view of a motor according to another embodiment of the present disclosure.

DETAILED DESCRIPTION

[0020] While specific exemplary embodiments of the inventive subject matter now will be described with reference to the accompanying drawings, this inventive subject matter may, however, be embodied in many different forms and should not be construed as limited to the embodiments set forth herein; rather, these embodiments are provided so that this disclosure will be thorough and complete, and will fully convey the scope of the inventive subject matter to those skilled in the art. In the drawings, like numbers refer to like elements. It will be understood that when an element is referred to as being "connected" or "coupled" to another element, it may be directly connected or coupled to the other element or intervening elements may be present. As used herein the term "and/or" includes any and all combinations of one or more of the associated listed items.

[0021] It should be initially understood that all the features disclosed herein may be combined in any combination, except combinations where at least some of such features and/or steps are mutually exclusive.

[0022] Referring now to Fig. 1, an exemplary embodiment of motor 100 according to various aspects of the present disclosure and with certain aspects removed from view for clarity is presented. According to some embodiments, the motor 100 may include an annular rotor 110 configured to rotate about and be concentric with an output shaft 115. An outer perimeter of annular rotor 110 may include external gearing 112. In some embodiments, annular rotor 110 may also

include an annular bearing member 118 having an inner race of rolling elements 119 to facilitate a low-friction rotation of rotor 110. Any other suitable low-friction configuration may also be employed, including for example, lubricated low friction surfaces, magnetic levitation, etc.

[0023] Motor 100 may also include a power transfer disc 120 that is, in some embodiments, disposed substantially longitudinally to and parallel to annular rotor 110. The power transfer disc 120 may include external gearing 122 about its outer perimeter in a manner similar to the external gearing 112 on rotor 110. The power transfer disc 120 may also be coupled to output shaft 115 such that rotation of power transfer disc 120 causes rotation of output shaft 115.

[0024] In some embodiments, to facilitate power transfer from rotor 110 to power transfer disc 120, two or more gear pairs 130 may be utilized, for example, gear pair 130a and 130b illustrated in Fig. 1. Gear pairs 130 may include a first gear 132 (e.g., 132a & 132b) configured to interface with external gearing 112 of rotor 110, and a second gear 134 (e.g., 134a & 134b) configured to interface with external gearing 122 of power transfer disc 120. First gear 132 and second gear 134 may be fixedly mounted to a shaft 135 (e.g., 135a & 135b) such that rotation of first gear 132 causes like rotation of second gear 134. In some embodiments, the first and second gears 132, 134 may be spur pinions having external gearing 138 in the form of, for example, radial teeth disposed substantially parallel to output shaft 115 and the axis of rotation of rotor 110. External gearing 112 and 122 may be configured in like manner so as to efficiently intermesh with gearing 138 on gear pairs 130. Accordingly, in some embodiments, rotational energy from rotor 110 may be transmitted to first gear 132, thereby rotating shaft 135, which rotates second gear 134, which in turn causes rotation of power transfer disc 120 and ultimately rotation of output shaft 115.

[0025] Gear pairs 130 may be diametrically opposed from one another to ensure that motor 100 will be rotationally balanced to minimize generation of vibrations. While two such gear pairs 130 are illustrated, other numbers of gear pairs may be employed so long as all are symmetrically positioned to ensure that motor 100 remains substantially rotationally balanced.

[0026] In some embodiments, such as illustrated in Fig. 1, rotor 110 and power transfer disc 120 may be of substantially the same diameter, and first gear 132 and second gear 134 may be substantially the same diameter. It will be appreciated, however, that rotor 110 and power transfer

disc 120 may be of different diameters, thereby necessitating different diameters of first gear 132 relative to second gear 134. In such embodiments, it may be advantageous to ensure that the gear ratio between the rotor 110 and the first gear 132 is equal to the gear ratio between the second gear 134 and power transfer disc 120 such that output shaft 115 will rotate at the same frequency as rotor 110. In certain other embodiments, it may be advantageous to adjust the gear ratios such that output shaft 115 is made to rotate at a frequency greater or less than rotor 110.

[0027] Referring now to Fig. 2, motor 100 may also include central plate 140, and end plate 145. Central plate 140 may, in some embodiments, be disposed parallel to and in between annular rotor 110 and power transfer disc 120, but other locations for central plate 140 are possible. In some embodiments, annular rotor 110 may be mounted to central plate 140, including in some embodiments via one or more support posts 146. For example, support posts 146 may be coupled to central plate 140 and to annular bearing member 118. Accordingly, rotor 110 may rotate by virtue of, for example, inner bearing race 119, relative to fixed central plate 140. Central plate 140 may also include two or more apertures 147 through which gear shafts 135 may pass and freely rotate therein. In some embodiments, central plate 140 includes a number of apertures 147 corresponding to the number of gear pairs 130 in motor 100, but in other embodiments, central plate 140 may have more apertures 147 than gear pairs 130 so as to, for example, save weight, accommodate additional gear pairs 130, and/or other benefits. In some embodiments, end plate 145 may have apertures 149, which may correspond to apertures 147.

[0028] Referring now to Fig. 3, motor 100 is presented with additional elements of the motor presented according to some embodiments. In some embodiments, motor 100 may include one or more circumferentially spaced air-core stator coils 150 which may, in some embodiments, be coupled to central plate 140. Air-core stator coils 150 are so described because, in some embodiments, stator coils 150 may include a core 152 through which objects may pass. Motor 100 may also include one or more spaced permanent magnets 160 that may be coupled to rotor 110. Air-core stator coils 150 may be mounted such that rotor 110 with magnets 160 mounted thereon may rotate freely through each of the stators 150, for example, through core 152. In some embodiments, the support posts 146 (Fig. 2) may be sized and shaped to fit between, for example, adjacent air-core

stator coils 150. For example, as illustrated in Fig. 2, support posts 146 may be substantially triangular so as to fit efficiently between, for example, adjacent radially mounted stators 150.

[0029] In Fig. 3, six air-core stator coils 150 are illustrated, although any other suitable number of stator coils may also be employed. In some embodiments, there may be the same number of permanent magnets 160 as air-core stator coils 150 to facilitate simultaneous introduction of all the magnets 160 into the core 152 of corresponding stator coils 150. In other embodiments, however, the number of permanent magnets 160 may be greater or less than the number of air-core stator coils 150.

[0030] The air-core stator coils 150 of motor 100 may be configured in various arrangements. In one embodiment, as shown for example in Fig. 3, the stator coils 150 may have a rectangular configuration with a rectangular air-core 152. Stator coil 150 is typically configured such that at least one or more turns of wire may be wound about core 152. In preferred embodiments, air core stator coil 150 may be sized such that the cross-sectional area of core 152 is minimized, while still being sufficiently large enough to allow rotor 110 (including annular bearing member 118) and magnets 160 to pass therethrough, but with minimal clearance so as to optimize energy transfer. Stator coil 150 may also include either a groove or hollow interior about core 152 for housing the one or more turns of wire therein.

[0031] The exemplary embodiment illustrated in Fig. 3 having a rectilinear configuration of stator coils 150 may advantageously facilitate the positioning of a common-shaft gear pair 130 between two adjacent air-core stator coils 150 to intermesh with the external gearing 112 of rotor 110. Additionally, the selected triangular configuration of the support posts 146 (shown in Fig. 2) may be adapted to accommodate the relatively small clearance that may result between the radially innermost portions of two adjacent air-core stator coils 150.

[0032] In certain embodiments, motor 100 may also include a system of switches (not shown). In one embodiment, the switches may be electrically connected to a DC supply and determine, at each instant, the polarity and the level of the voltage applied to each stator coil 150 via the corresponding wound conductive wire. The switches may be controlled by a component, preferably a microcontroller with associated software, capable of determining at each instant the DC

polarity applied to each stator coil 150 (e.g., by inverting the DC connection to it), as well as the average DC level (e.g., by applying the DC supply voltage using Pulse Width Modulation (PWM)). The angular position of rotor 110 at each instant may be detected by a system of sensors (e.g., optical sensors or Hall-effect sensors). The sensor output may be fed to the controller, which may operate the switches according to the status of the rotor (i.e. angular position, speed and acceleration).

[0033] When a stator coil 150 is energized, the nearby permanent magnets 160 coupled, in some embodiments, to rotor 110, may be caused to follow a substantially circular path, following interaction of the magnetic field associated with a given permanent magnet 160 with the induced electromagnetic field associated with a stator coil 150 having an electrical current flowing therethrough. The magnet 160 may either be pulled-in towards the air-core 152 of the energized stator coil 150, or pushed-out from the same, depending on current direction and the polarity of the switch associated with the given coil 150, which determines the direction of flow of the current in the wire windings, and on the orientation of the magnets 160 (N-S or S-N). In turn, the status of a switch may in some embodiments be determined at each time by the controller, based on the angular position of the rotor 110 detected by one or more sensors (not shown). A continuous smooth rotation of the rotor 110 in either rotational direction may be obtained with the proper simultaneous operating sequence of the overall system of switches.

[0034] Referring now to Fig. 4, an exemplary cross-sectional view identified as A-A in Fig. 3 of a stator coil 150 is presented. As illustrated, in some embodiments, core 152 of stator 150 may be sized such that annular bearing member 118 (with inner race 119), rotor 110, and permanent magnet 160 may pass therethrough with minimized clearances on all sides. For example, stator coil 150 may be sized such that a clearance R between annular bearing member 118 and an inner wall 154 of core 152 is minimized. In some embodiments, the radial clearance R is preferably no more than 0.5 mm, though greater clearances are possible. In some embodiments, the radial clearance R may range from approximately 0.35-0.48 mm. In some embodiments, the radial width of annular bearing member 118 (indicated in Fig. 4 as dimension J) preferably constitutes a range of no more than between about 25% to about 35% of rotor 110 and annular bearing member 118 combined (i.e.,

radial dimension K), and in one embodiment is about 30%. In some embodiments, the radial clearance M between inner wall 154 of core 152 and a radially inner surface 162 of permanent magnet 160 is preferably no more than 2 mm so as to maximize the generated torque by increasing the interaction between the magnetic field associated with permanent magnet 160 and the induced electromagnetic field associated with stator coil 150 (though greater clearances are possible).

[0035] In like manner, support posts 146 (Fig. 2) supporting annular bearing member 118 may be configured such that the annular bearing member 118 and the rotor 110 are set as close to a lowermost surface 156 of core 152 as possible (while, depending on intended operation, allowing for sufficient clearances), thereby minimizing a dimension N in Fig. 4. In some embodiments, the longitudinal dimension N is no more than 0.5 mm. For example, the longitudinal dimension N may range between about 0.35 mm to about 0.48 mm. In some embodiments, the longitudinal clearance P may also be no more than 0.5 mm. For example, the longitudinal clearance P may range between about 0.35 mm and about 0.48 mm. Again, however, greater (and lesser) clearances for N and P are possible.

[0036] It will be further appreciated that other configurations are possible. For example, magnet 160 may have a shape that extends over, but is not attached to, bearing member 118 such that clearance M is minimized beyond that shown in Fig. 4.

[0037] In some embodiments, rotor 110 and annular bearing member 118 may be sized such that longitudinal dimension L is minimized while still adequately supporting rotation of rotor 110 and the transfer of rotation energy from rotor 110 to gear pair 130. In some embodiments, magnet 160 may be integrated into rotor 110 such that magnet 160 may extend to a lowermost portion 111 of rotor 110.

[0038] Referring now to Fig. 5, an exemplary housing 500 is presented in which motor 100 may be housed. Housing 500 may include, in some embodiments, a base plate 510 and mounting plates 512 and 514. In some embodiments, output shaft 115 may protrude substantially longitudinally from housing 500 at one or both ends of housing 500. In some embodiments, housing 500 may include one or more bearings 520 on one or both ends of the housing 500 to facilitate rotation of output shaft 115.

[0039] Housing 500 may also include an outer casing 550 to enclose the motor 100. In some embodiments, casing 550 extends circumferentially about motor 100 and may be coupled to end plates on either end of motor 100 (e.g., end plate 145). Central plate 140 (Fig. 2) may also be coupled in appropriate fashion to casing 550. In some embodiments, casing 500 with motor 100 therein may be configured to be mounted between mounting plates 512 and 514 such that casing 500 can rotate about the axis of output shaft 115. In such embodiments, one or more bearings 520 and/or axles 560 may be employed. In such manner, where the rotating casing 550 is rotatable about the output shaft 115, there may be an increase in magnitude of power transferred from the motor. For example, in some embodiments, the output shaft may be fixed and the casing 550 free to rotate in response to the rotation of the motor 100. In another example, the output shaft 115 coupled to rotor 110 may be free to rotate along with the stator coils 150 and casing 550, thereby generating torque but with reduced relative rotational velocity between the magnets 160 and stator coils 150. Such reduced relative velocity may advantageously reduce back-EMF induced in the motor 100 that would otherwise reduce the effective torque. In some embodiments, multiple motors 100 may be employed in, for example, a vehicle, to generate high-speed torque at reduced relative rotational velocity between the magnets 160 and coils 150, thereby increasing torque at high-speeds relative to other motors.

[0040] Referring now to Fig. 6, a cross-sectional view of an exemplary embodiment of motor 100 mounted inside housing 500 is presented. In some embodiments, coils 150 may be mounted to central plate 140 and a top-end plate 146 opposite end plate 145. The elements described above for enabling, in some embodiments, rotation of the housing 500 about output shaft 115 (e.g. axles 560 and/or bearings 520) are also depicted.

[0041] While some embodiments of the invention have been described by way of illustration, it will be apparent that the invention can be carried out with many modifications, variations and adaptations, and with the use of numerous equivalents or alternative solutions that are within the scope of persons skilled in the art, without exceeding the scope of the claims.

[0042] Modifications and variations such as would be apparent to the skilled addressee are considered to fall within the scope of the present invention. The present invention is not to be limited in scope by any of the specific embodiments described herein. These embodiments are intended for the purpose of exemplification only. Functionally equivalent products, formulations and methods are clearly within the scope of the invention as described herein.

[0043] The terminology used herein is for the purpose of describing particular example embodiments only and is not intended to be limiting. As used herein, the singular forms “a”, “an” and “the” may be intended to include the plural forms as well, unless the context clearly indicates otherwise. The terms “comprise”, “comprises,” “comprising,” “including,” and “having,” or variations thereof are inclusive and therefore specify the presence of stated features, integers, steps, operations, elements, and/or components, but do not preclude the presence or addition of one or more other features, integers, steps, operations, elements, components, and/or groups thereof.

[0044] The following clauses describe further preferred aspects of the present invention:

- i) A rotationally balanced electric motor, comprising:
 - a. a magnet-equipped and externally geared annular rotor;
 - b. an output shaft having a longitudinal axis disposed at a center of the rotor;
 - c. a plurality of circumferentially spaced air-core stator coils encircling the rotor;
 - d. an externally geared disc disposed parallel to the rotor and coupled to, and concentric with, the output shaft; and
 - e. a plurality of symmetrically positioned common-shaft gear pairs configured to transmit motion from the rotor to the disc and to thereby transmit power to the output shaft without interfering with any of said plurality of air-core stator coils.
- ii) The electric motor according to clause i, further comprising a casing.
- iii) The electric motor according to clause ii, wherein the common shaft of each of the plurality of gear pairs is rotatably mounted within two parallel surfaces of the casing.
- iv) The electric motor according to clause ii, wherein the casing is hollow, and the rotor, the

disc, the plurality of air-core stator coils, and the plurality of gear pairs are housed within an interior of the casing.

v) The electric motor according to any one of the preceding clauses, further comprising an annular bearing member for radially supporting the rotor and a plurality of circumferentially spaced support posts extending in a direction parallel to the longitudinal axis of the output shaft and coupled to said bearing member.

vi) The electric motor according to clause v, wherein the bearing member is a rotor-integrated bearing member comprising a plurality of rolling elements retained between a rotor portion constituting an outer race of the rotor-integrated bearing member and an inner stator race portion, wherein the rotor portion is provided with external gearing that intermeshes with a first gear of the plurality of common-shaft gear pairs.

vii) The electric motor according to clause vi, wherein a second gear of the plurality of common-shaft gear pairs intermeshes with the external gearing of the disc to transmit power to the output shaft.

viii) The electric motor according to clause vii, wherein a gear ratio between the gearing of the rotor and of the first gear is equal to a gear ratio between the gearing of the disc and of the second gear to ensure that the output shaft will rotate at substantially a same rate as the rotor portion.

ix) The electric motor according to any one of clauses vi to viii, wherein an entire radial length of the rotor-integrated bearing member is received, for a given sector thereof, within an air core of a given stator coil.

x) The electric motor according to any one of clauses vi to ix, wherein each of the plurality of air-core stator coils has a rectangular coil body that surrounds a rectangular air-core and is oriented radially with respect to the rotor portion.

xi) The electric motor according to any one of the preceding clauses, wherein each of the common-shaft gear pairs is positioned within a clearance between a radially outward-most portion of two adjacent air-core stator coils, and without interfering with the stator coils.

xii) The electric motor according to any one of clauses v to xi, wherein each of the support posts has a triangular configuration and is positioned within a clearance between a radially innermost portion of two adjacent air-core stator coils, and without interfering with the stator coils.

xiii) The electric motor according to any one of clauses v to xii, wherein the plurality of support posts are also connected to one of the two parallel surfaces of the casing.

- xiv) The electric motor according to any one of clauses ii to xiii, wherein the casing is stationary.
- xv) A rotationally balanced electric motor with air-core stator coils, comprising:
- a. a casing;
 - b. a magnet-equipped and externally geared annular rotor;
 - c. an output shaft with a longitudinal axis positioned at a center of said rotor;
 - d. a plurality of circumferentially spaced air-core stator coils connected to said casing and encircling said rotor;
 - e. an externally geared disc parallel to said rotor and connected to, and concentric with, said output shaft; and
 - f. a plurality of symmetrically positioned common-shaft gear pairs configured to transmit motion from said rotor to said disc and to thereby transmit power to said output shaft without interfering with any of said plurality of air-core stator coils.
- xvi) The electric motor according to any one of the preceding clauses, further comprising a plurality of switches for controlling a current and current polarity in the air-core stator coils, and a controller for controlling the switches, wherein the controller selectively operates the switches to generate smooth rotation of the rotor.
- xvii) The electric motor according to clause xv, further comprising one or more sensors for determining positions of the magnets relative to the air-core stator coils, wherein the sensor data is input to the controller.

CLAIMS:

1. A rotationally balanced electric motor, comprising:
 - a) a magnet-equipped and externally geared annular rotor;
 - b) an output shaft having a longitudinal axis disposed at a center of the rotor;
 - c) a plurality of circumferentially spaced air-core stator coils encircling the rotor;
 - d) an externally geared disc disposed parallel to the rotor and coupled to, and concentric with, the output shaft; and
 - e) a plurality of symmetrically positioned common-shaft gear pairs configured to transmit motion from the rotor to the disc and to thereby transmit power to the output shaft without interfering with any of said plurality of air-core stator coils.
2. The electric motor according to claim 1, further comprising a casing.
3. The electric motor according to claim 2, wherein the common shaft of each of the plurality of gear pairs is rotatably mounted within two parallel surfaces of the casing.
4. The electric motor according to claim 2, wherein the casing is hollow, and the rotor, the disc, the plurality of air-core stator coils, and the plurality of gear pairs are housed within an interior of the casing.
5. The electric motor according to any one of the preceding claims, further comprising an annular bearing member for radially supporting the rotor and a plurality of circumferentially spaced support posts extending in a direction parallel to the longitudinal axis of the output shaft and coupled to said bearing member.
6. The electric motor according to claim 5, wherein the bearing member is a rotor-integrated bearing member comprising a plurality of rolling elements retained between a rotor portion constituting an outer race of the rotor-integrated bearing member and an inner stator race portion, wherein the rotor portion is provided with external gearing that intermeshes with a first gear of the plurality of common-shaft gear pairs.
7. The electric motor according to claim 6, wherein a second gear of the plurality of common-shaft gear pairs intermeshes with the external gearing of the disc to transmit power to the output shaft.

8. The electric motor according to claim 7, wherein a gear ratio between the gearing of the rotor and of the first gear is equal to a gear ratio between the gearing of the disc and of the second gear to ensure that the output shaft will rotate at substantially a same rate as the rotor portion.
9. The electric motor according to any one of claims 6 to 8, wherein an entire radial length of the rotor-integrated bearing member is received, for a given sector thereof, within an air core of a given stator coil.
10. The electric motor according to any one of claims 6 to 9, wherein each of the plurality of air-core stator coils has a rectangular coil body that surrounds a rectangular air-core and is oriented radially with respect to the rotor portion.
11. The electric motor according to any one of the preceding claims, wherein each of the common-shaft gear pairs is positioned within a clearance between a radially outward-most portion of two adjacent air-core stator coils, and without interfering with the stator coils.
12. The electric motor according to any one of claims 5 to 11, wherein each of the support posts has a triangular configuration and is positioned within a clearance between a radially innermost portion of two adjacent air-core stator coils, and without interfering with the stator coils.
13. The electric motor according to any one of claims 5 to 12, wherein the plurality of support posts are also connected to one of the two parallel surfaces of the casing.
14. The electric motor according to any one of claims 2 to 13, wherein the casing is stationary.
15. A rotationally balanced electric motor with air-core stator coils, comprising:
 - a) a casing;
 - b) a magnet-equipped and externally geared annular rotor;
 - c) an output shaft with a longitudinal axis positioned at a center of said rotor;
 - d) a plurality of circumferentially spaced air-core stator coils connected to said casing and encircling said rotor;
 - e) an externally geared disc parallel to said rotor and connected to, and concentric with, said output shaft; and

- f) a plurality of symmetrically positioned common-shaft gear pairs configured to transmit motion from said rotor to said disc and to thereby transmit power to said output shaft without interfering with any of said plurality of air-core stator coils.

16. The electric motor according to any one of the preceding claims, further comprising a plurality of switches for controlling a current and current polarity in the air-core stator coils, and a controller for controlling the switches, wherein the controller selectively operates the switches to generate smooth rotation of the rotor.

17. The electric motor according to claim 15, further comprising one or more sensors for determining positions of the magnets relative to the air-core stator coils, wherein the sensor data is input to the controller.

1/6

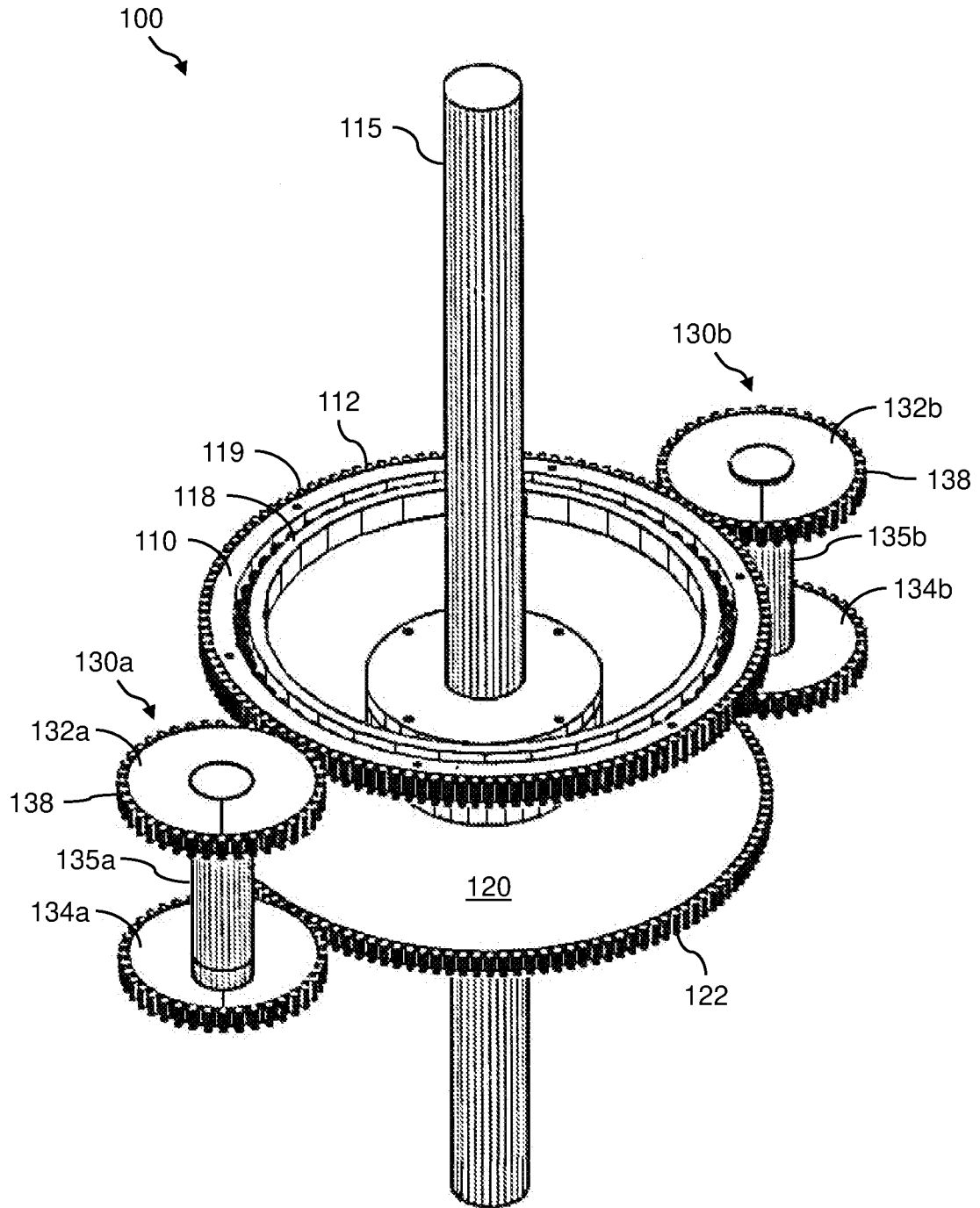


FIG. 1

3/6

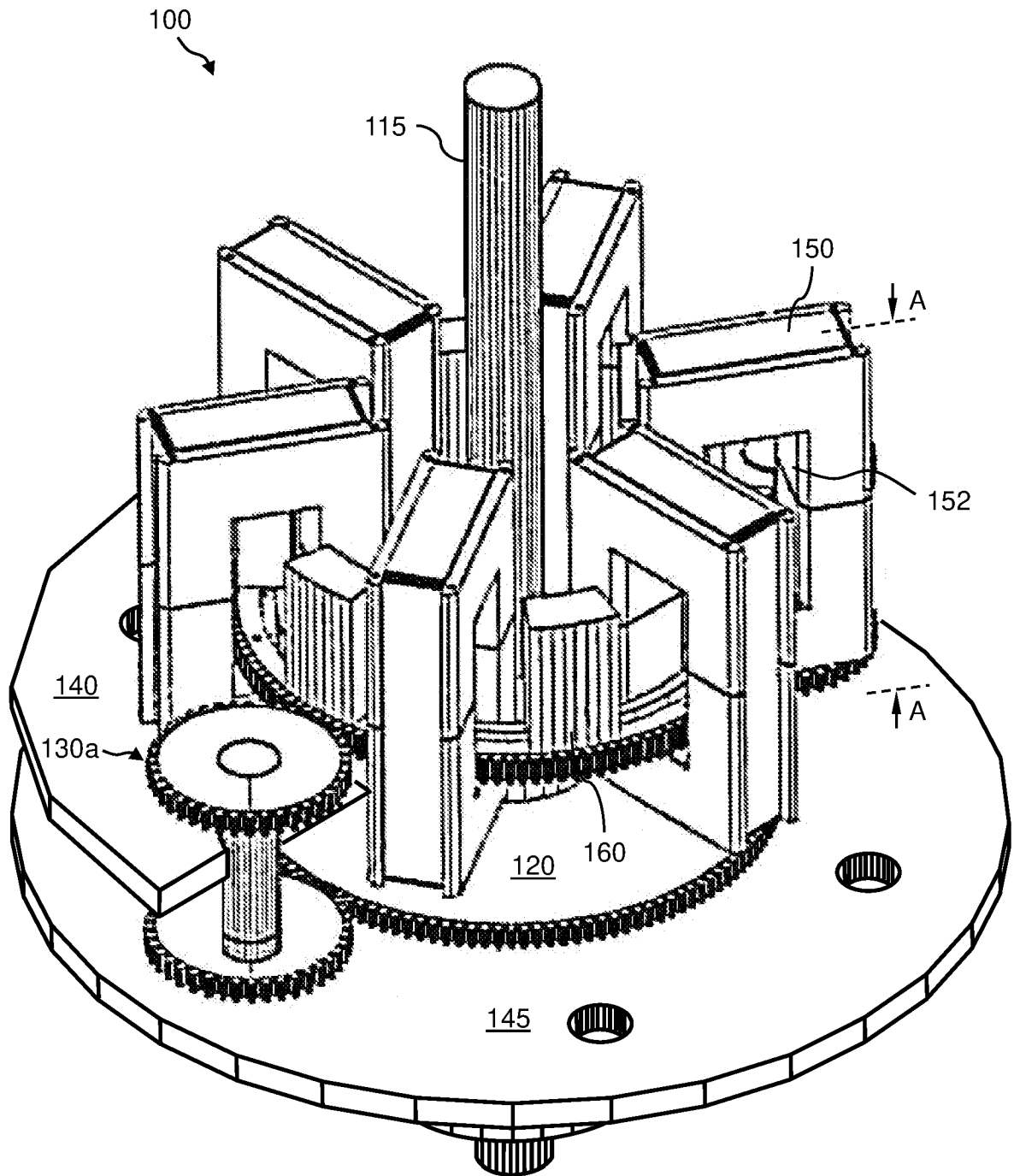


FIG. 3

4/6

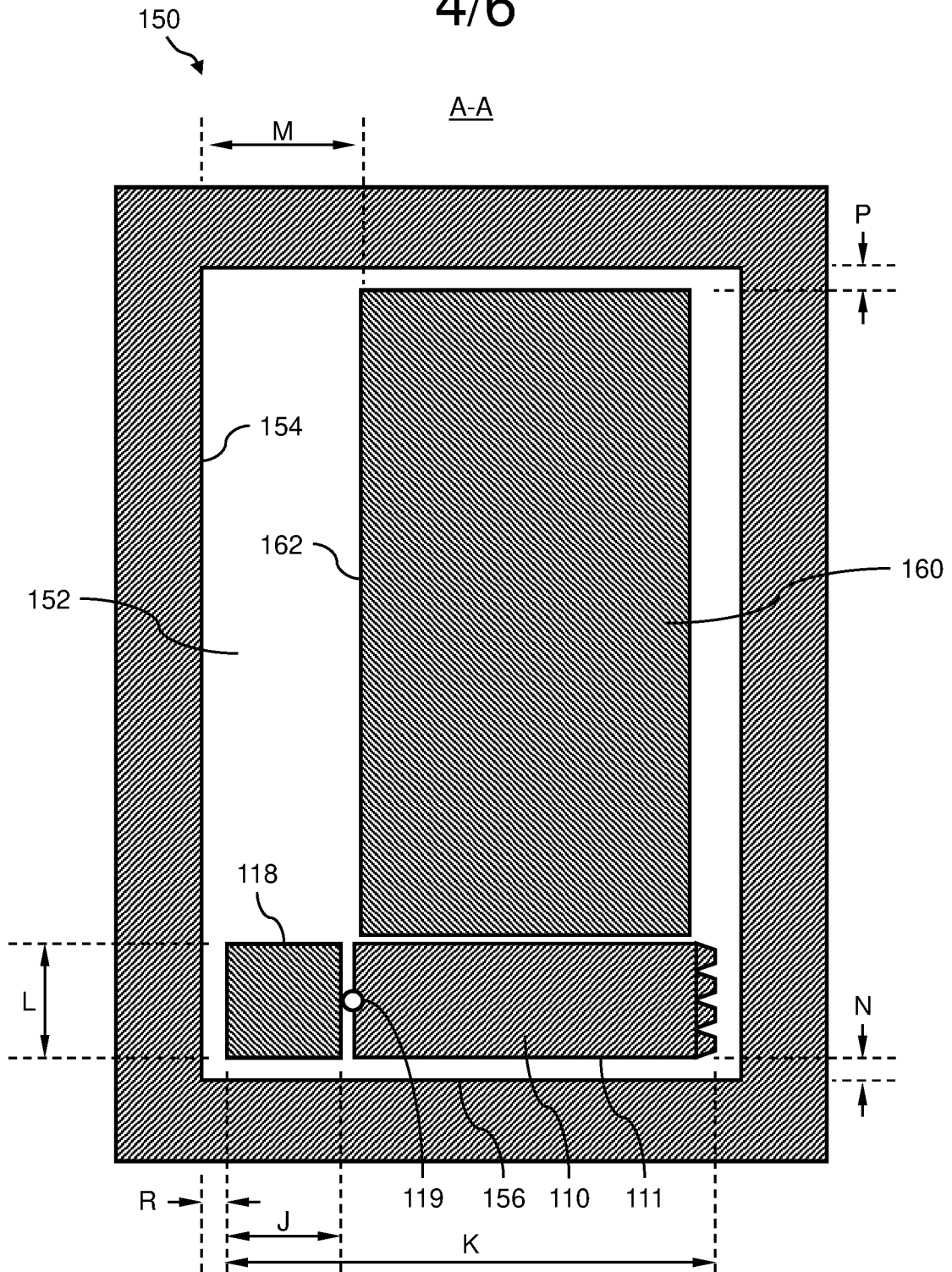


FIG. 4

5/6

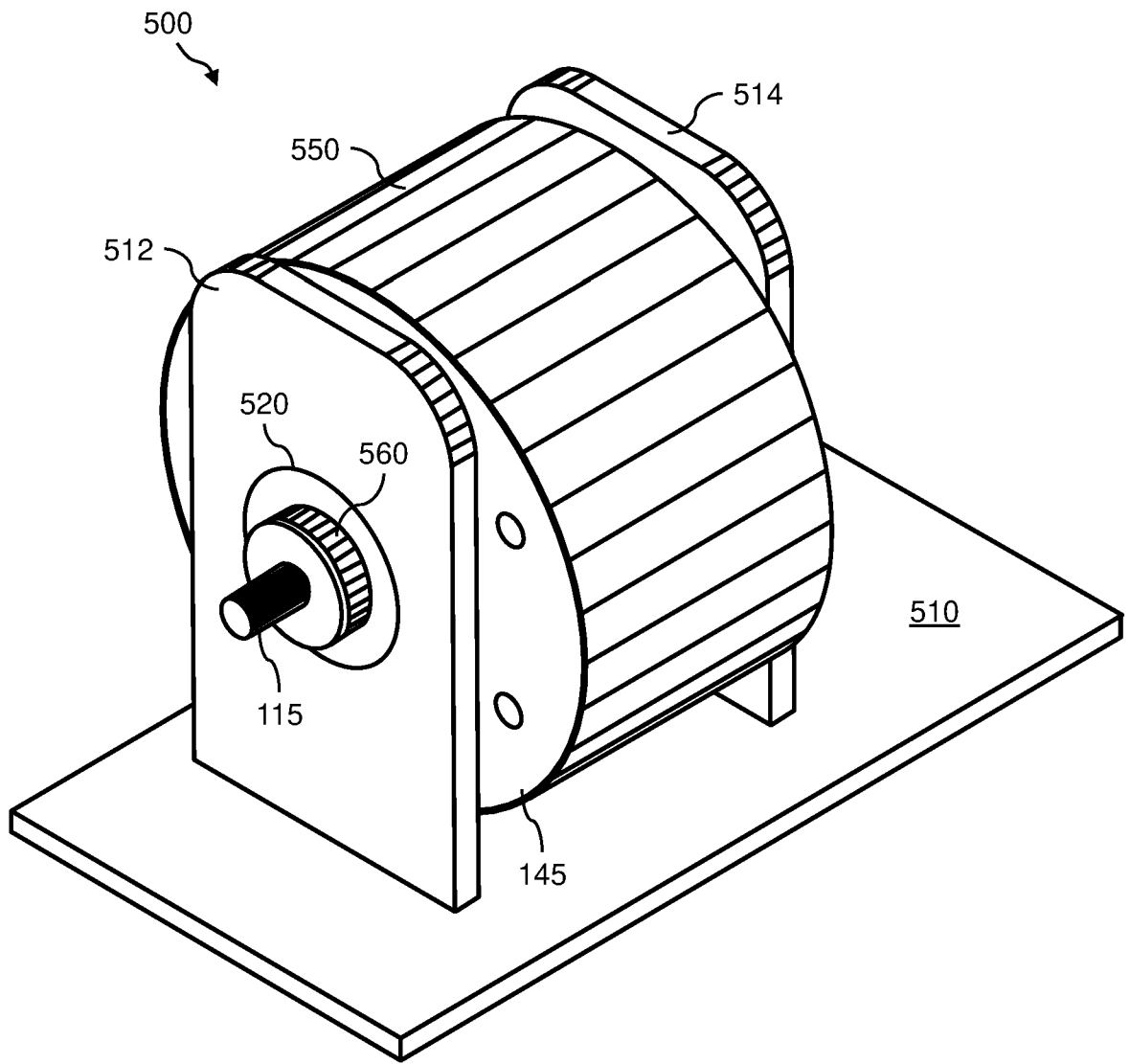


FIG. 5

6/6

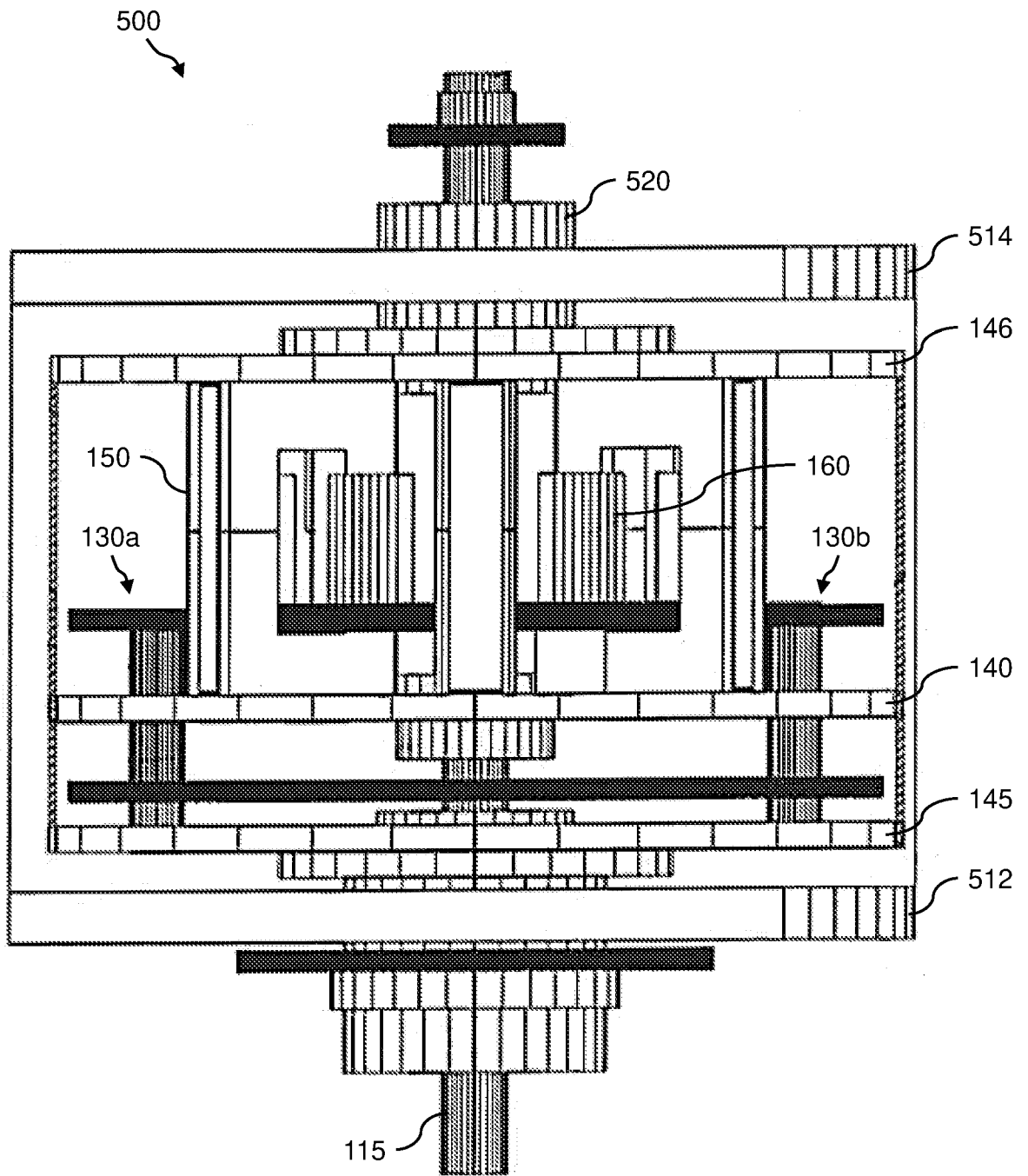


FIG. 6

A. CLASSIFICATION OF SUBJECT MATTER

H02K 7/116 (2006.01) H02K 1/27 (2006.01) H02K 21/14 (2006.01)

According to International Patent Classification (IPC) or to both national classification and IPC

B. FIELDS SEARCHED

Minimum documentation searched (classification system followed by classification symbols)

Documentation searched other than minimum documentation to the extent that such documents are included in the fields searched

Electronic data base consulted during the international search (name of data base and, where practicable, search terms used)

PATENW; Google Patents: IPC/CPCs: H02K1/272, H02k7/116, H02K21/14; Keywords: motor, magnets, air core, stator, coils, gear and like keywords. Applicant and inventor names searched in Espacenet and AUSPAT.

C. DOCUMENTS CONSIDERED TO BE RELEVANT

Category*	Citation of document, with indication, where appropriate, of the relevant passages	Relevant to claim No.
	Documents are listed in the continuation of Box C	



Further documents are listed in the continuation of Box C



See patent family annex

* Special categories of cited documents:		
"A" document defining the general state of the art which is not considered to be of particular relevance	"T" later document published after the international filing date or priority date and not in conflict with the application but cited to understand the principle or theory underlying the invention	
"E" earlier application or patent but published on or after the international filing date	"X" document of particular relevance; the claimed invention cannot be considered novel or cannot be considered to involve an inventive step when the document is taken alone	
"L" document which may throw doubts on priority claim(s) or which is cited to establish the publication date of another citation or other special reason (as specified)	"Y" document of particular relevance; the claimed invention cannot be considered to involve an inventive step when the document is combined with one or more other such documents, such combination being obvious to a person skilled in the art	
"O" document referring to an oral disclosure, use, exhibition or other means	"&" document member of the same patent family	
"P" document published prior to the international filing date but later than the priority date claimed		

Date of the actual completion of the international search
23 May 2019Date of mailing of the international search report
23 May 2019

Name and mailing address of the ISA/AU

AUSTRALIAN PATENT OFFICE
PO BOX 200, WODEN ACT 2606, AUSTRALIA
Email address: pct@ipaaustralia.gov.au

Authorised officer

Arpit Dixit
AUSTRALIAN PATENT OFFICE
(ISO 9001 Quality Certified Service)
Telephone No. +61262832879

INTERNATIONAL SEARCH REPORT

International application No.

C (Continuation).

DOCUMENTS CONSIDERED TO BE RELEVANT

PCT/AU2019/050375

Category*	Citation of document, with indication, where appropriate, of the relevant passages	Relevant to claim No.
X	WO 2001003275 A1 (SCHEFEER EDWARD N. et al.) 11 January 2001 The whole document, in particular abstract, fig.1-6 and page 4 lines 14-21	1-17
A	WO 2010019951 A1 (MILLENNIAL RESEARCH CORPORATION) 18 February 2010	
A	JP 2014176118 A (SEIKO EPSON CORP et al.) 22 September 2014	
A	WO 2009037957 A1 (SUMIDA CORPORATION) 26 March 2009	
A	US 20040095037 A1 (PALMERO) 20 May 2004	
A	WO 2013140400 A1 (SHLAKHETSKI VICTOR et al.) 26 September 2013	

INTERNATIONAL SEARCH REPORT

Information on patent family members

International application No.

PCT/AU2019/050375

This Annex lists known patent family members relating to the patent documents cited in the above-mentioned international search report. The Australian Patent Office is in no way liable for these particulars which are merely given for the purpose of information.

Patent Document/s Cited in Search Report		Patent Family Member/s	
Publication Number	Publication Date	Publication Number	Publication Date
WO 2001003275 A1	11 January 2001	WO 0103275 A1	11 Jan 2001
		AU 2892099 A	20 Sep 1999
		AU 6338100 A	22 Jan 2001
		US 6252317 B1	26 Jun 2001
		WO 9945624 A1	10 Sep 1999
WO 2010019951 A1	18 February 2010	WO 2010019951 A1	18 Feb 2010
		AU 2007276902 A1	31 Jan 2008
		AU 2007276902 B2	10 Feb 2011
		BR PI0715537 A2	05 Mar 2013
		CN 101523704 A	02 Sep 2009
		CN 101523704 B	04 Jul 2012
		CN 102187547 A	14 Sep 2011
		CN 102187547 B	19 Aug 2015
		CN 102204069 A	28 Sep 2011
		CN 102204069 B	01 Jul 2015
		CN 102810961 A	05 Dec 2012
		CN 102810961 B	10 Feb 2016
		EP 2070182 A2	17 Jun 2009
		EP 2070182 B1	02 Jan 2019
		EP 2327137 A1	01 Jun 2011
		EP 2332242 A1	15 Jun 2011
		JP 2009545291 A	17 Dec 2009
		JP 5248499 B2	31 Jul 2013
		KR 20090048605 A	14 May 2009
		KR 101040025 B1	08 Jun 2011
		KR 20110040946 A	20 Apr 2011
		KR 101098150 B1	26 Dec 2011
		TW 201131943 A	16 Sep 2011
TW I528685 B	01 Apr 2016		
US 2008024044 A1	31 Jan 2008		
US 7719147 B2	18 May 2010		
US 2010187931 A1	29 Jul 2010		
US 8193669 B2	05 Jun 2012		
US 2012242177 A1	27 Sep 2012		
US 8334634 B2	18 Dec 2012		

Due to data integration issues this family listing may not include 10 digit Australian applications filed since May 2001.

INTERNATIONAL SEARCH REPORT

Information on patent family members

International application No.

PCT/AU2019/050375

This Annex lists known patent family members relating to the patent documents cited in the above-mentioned international search report. The Australian Patent Office is in no way liable for these particulars which are merely given for the purpose of information.

Patent Document/s Cited in Search Report		Patent Family Member/s	
Publication Number	Publication Date	Publication Number	Publication Date
		US 2013147418 A1	13 Jun 2013
		US 8853907 B2	07 Oct 2014
		US 2012326541 A1	27 Dec 2012
		US 9800111 B2	24 Oct 2017
		US 2013342054 A1	26 Dec 2013
		US 10038349 B2	31 Jul 2018
		US 2010084938 A1	08 Apr 2010
		US 2010085005 A1	08 Apr 2010
		WO 2008014112 A2	31 Jan 2008
		WO 2010036458 A1	01 Apr 2010
		WO 2014176554 A2	30 Oct 2014

Due to data integration issues this family listing may not include 10 digit Australian applications filed since May 2001.

Form PCT/ISA/210 (Family Annex)(revised January 2019)

INTERNATIONAL SEARCH REPORT

Information on patent family members

International application No.

PCT/AU2019/050375

This Annex lists known patent family members relating to the patent documents cited in the above-mentioned international search report. The Australian Patent Office is in no way liable for these particulars which are merely given for the purpose of information.

Patent Document/s Cited in Search Report		Patent Family Member/s	
Publication Number	Publication Date	Publication Number	Publication Date
JP 2014176118 A	22 September 2014	JP 2014176118 A	22 Sep 2014
		JP 6315362 B2	25 Apr 2018
WO 2009037957 A1	26 March 2009	WO 2009037957 A1	26 Mar 2009
		CN 101803154 A	11 Aug 2010
		CN 101803154 B	15 Aug 2012
		EP 2192673 A1	02 Jun 2010
		JP 2009077500 A	09 Apr 2009
		JP 4982756 B2	25 Jul 2012
		KR 20100046254 A	06 May 2010
		KR 101065220 B1	16 Sep 2011
		US 2010219725 A1	02 Sep 2010
		US 20040095037 A1	20 May 2004
CA 2441782 A1	03 Oct 2002		
EP 1382109 A1	21 Jan 2004		
JP 2004527195 A	02 Sep 2004		
TW 556394 B	01 Oct 2003		
WO 02078153 A1	03 Oct 2002		
WO 2013140400 A1	26 September 2013		
		AU 2013236987 A1	23 Oct 2014
		AU 2013236987 B2	02 Feb 2017
		AU 2014233758 A1	24 Sep 2015
		AU 2014233758 B2	01 Feb 2018
		BR 112015022360 A2	18 Jul 2017
		CA 2866788 A1	26 Sep 2013
		CA 2907040 A1	25 Sep 2015
		CN 104272567 A	07 Jan 2015
		CN 104272567 B	25 Jul 2017
		CN 105264252 A	20 Jan 2016
		CN 105264252 B	09 Jan 2018
		CO 7160033 A2	15 Jan 2015
		EA 201491514 A1	30 Jan 2015
		EA 028494 B1	30 Nov 2017
		EA 201591461 A1	29 Jan 2016
		EP 2828960 A1	28 Jan 2015

Due to data integration issues this family listing may not include 10 digit Australian applications filed since May 2001.

Form PCT/ISA/210 (Family Annex)(revised January 2019)

INTERNATIONAL SEARCH REPORT

Information on patent family members

International application No.

PCT/AU2019/050375

This Annex lists known patent family members relating to the patent documents cited in the above-mentioned international search report. The Australian Patent Office is in no way liable for these particulars which are merely given for the purpose of information.

Patent Document/s Cited in Search Report		Patent Family Member/s	
Publication Number	Publication Date	Publication Number	Publication Date
		EP 2976540 A1	27 Jan 2016
		EP 2976540 B1	27 Feb 2019
		HK 1205828 A1	24 Dec 2015
		HK 1220502 A1	05 May 2017
		IL 234534 A	31 Oct 2016
		JP 2015515846 A	28 May 2015
		JP 6272293 B2	31 Jan 2018
		JP 2016512945 A	09 May 2016
		JP 6396989 B2	26 Sep 2018
		KR 20140142247 A	11 Dec 2014
		KR 20150131060 A	24 Nov 2015
		MX 2014010880 A	09 Mar 2015
		MX 338287 B	08 Apr 2016
		MX 2015012884 A	03 Dec 2015
		NZ 630243 A	29 Jul 2016
		PH 12014501977 A1	24 Nov 2014
		PH 12014501977 B1	24 Nov 2014
		PH 12015501956 A1	04 Jan 2016
		PH 12015501956 B1	04 Jan 2016
		SG 11201405633V A	30 Oct 2014
		SG 11201506948S A	29 Oct 2015
		US 2015035403 A1	05 Feb 2015
		US 9407129 B2	02 Aug 2016
		US 2016028299 A1	28 Jan 2016
		WO 2014147612 A1	25 Sep 2014

End of Annex

Due to data integration issues this family listing may not include 10 digit Australian applications filed since May 2001.

Form PCT/ISA/210 (Family Annex)(revised January 2019)