

(19) World Intellectual Property Organization  
International Bureau



(43) International Publication Date  
12 July 2007 (12.07.2007)

PCT

(10) International Publication Number  
WO 2007/079007 A3

- (51) International Patent Classification:  
A61M 1/00 (2006.01)
- (21) International Application Number:  
PCT/US2006/048892
- (22) International Filing Date:  
21 December 2006 (21.12.2006)
- (25) Filing Language: English
- (26) Publication Language: English
- (30) Priority Data:  
11/322,675 30 December 2005 (30.12.2005) US
- (71) Applicant (for all designated States except US): **HOSPIRA, INC.** [US/US]; 275 North Field Drive, Lake Forest, IL 60045-2579 (US).
- (72) Inventors; and
- (75) Inventors/Applicants (for US only): **FATHALLAH, Marwan, A.** [US/US]; 2530 Chadwick Way, Mundelein, IL 60060 (US). **BIBA, Scott, I.** [US/US]; 5169 McCarthy Road, Highland, WI 53543 (US). **TOURDOT, William, E.** [US/US]; 1550 Asbury Street, Saint Paul, MN 55108 (US).

- (74) Agents: **WOODWORTH, Brian, R.** et al.; 275 North Field Drive, NLEG, H1, Lake Forest, IL 60045-2579 (US).
- (81) Designated States (unless otherwise indicated, for every kind of national protection available): AE, AG, AL, AM, AT, AU, AZ, BA, BB, BG, BR, BW, BY, BZ, CA, CH, CN, CO, CR, CU, CZ, DE, DK, DM, DZ, EC, EE, EG, ES, FI, GB, GD, GE, GH, GM, GT, HN, HR, HU, ID, IL, IN, IS, JP, KE, KG, KM, KN, KP, KR, KZ, LA, LC, LK, LR, LS, LT, LU, LV, LY, MA, MD, MG, MK, MN, MW, MX, MY, MZ, NA, NG, NI, NO, NZ, OM, PG, PH, PL, PT, RO, RS, RU, SC, SD, SE, SG, SK, SL, SM, SV, SY, TJ, TM, TN, TR, TT, TZ, UA, UG, US, UZ, VC, VN, ZA, ZM, ZW.
- (84) Designated States (unless otherwise indicated, for every kind of regional protection available): ARIPO (BW, GH, GM, KE, LS, MW, MZ, NA, SD, SL, SZ, TZ, UG, ZM, ZW), Eurasian (AM, AZ, BY, KG, KZ, MD, RU, TJ, TM), European (AT, BE, BG, CH, CY, CZ, DE, DK, EE, ES, FI, FR, GB, GR, HU, IE, IS, IT, LT, LU, LV, MC, NL, PL, PT, RO, SE, SI, SK, TR), OAPI (BF, BJ, CF, CG, CI, CM, GA, GN, GQ, GW, ML, MR, NE, SN, TD, TG).

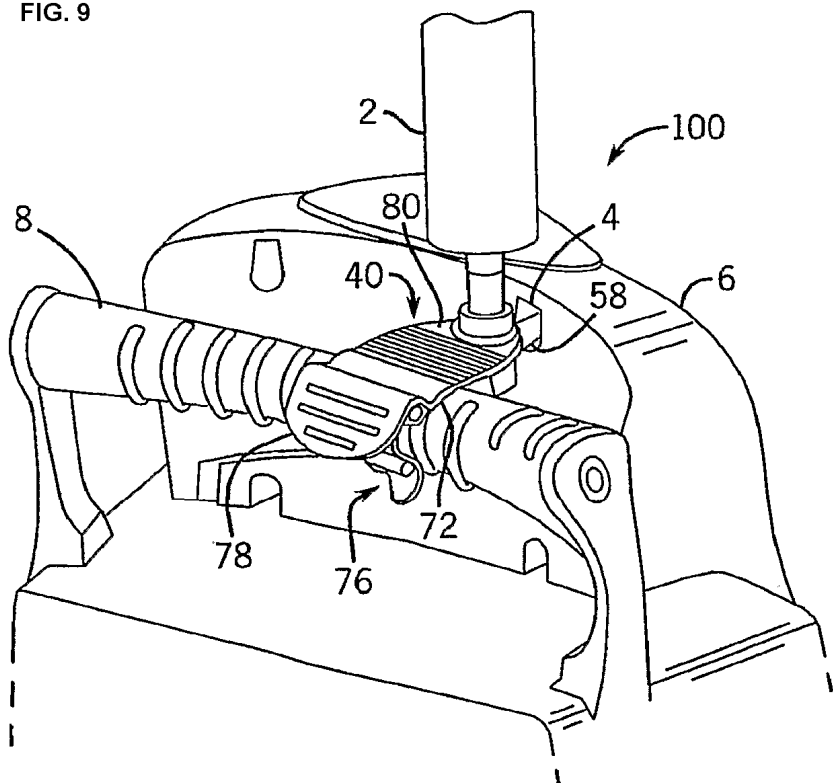
**Published:**

— with international search report

(88) Date of publication of the international search report:  
15 January 2009

(54) Title: SYRINGE HOLDING SYSTEM

FIG. 9



(57) Abstract: A syringe holder includes a body with a syringe retainer, an elongated finger and a stop member connected to the body. The finger inserts longitudinally into a socket on a pump without the aid of tools and permits the holder to move in multiple planes. The stop member limits such movement. The stop member can include a clip for releasably clamping onto a portion of a pump. The syringe retainer can include a hole in the body and may optionally include an adaptor mounted in or extending into the hole for detachably attaching a syringe. The syringe holder can be incorporated into a tube set assembly or an infusion system.

WO 2007/079007 A3

## INTERNATIONAL SEARCH REPORT

International application No.

PCT/US2006/048892

## A. CLASSIFICATION OF SUBJECT MATTER

IPC(8) - A61M 1/00 (2008.04)

USPC - 604/151

According to International Patent Classification (IPC) or to both national classification and IPC

## B. FIELDS SEARCHED

Minimum documentation searched (classification system followed by classification symbols)

IPC(8) - A61M 1/00 (2008.04)

USPC - 604/151

Documentation searched other than minimum documentation to the extent that such documents are included in the fields searched

Electronic data base consulted during the international search (name of data base and, where practicable, search terms used)

MicroPatent, DialogPro, Google Patents

## C. DOCUMENTS CONSIDERED TO BE RELEVANT

Category*	Citation of document, with indication, where appropriate, of the relevant passages	Relevant to claim No.
X ----- Y	US 6,726,657 B1 (DEDIG et al) 27 April 2004 (27.04.2004) entire document	1-4, 7-19 ----- 5, 6, 20
Y	US 5,709,663 A (YOUNKES) 20 January 1998 (20.01.1998) entire document	5, 6
Y	US 5,609,572 A (LANG) 11 March 1997 (11.03.1997) entire document	20
Y	US 4,935,014 A (HABER) 19 June 1990 (19.06.1990) entire document	6

 Further documents are listed in the continuation of Box C.

\* Special categories of cited documents:

"A" document defining the general state of the art which is not considered to be of particular relevance

"E" earlier application or patent but published on or after the international filing date

"L" document which may throw doubts on priority claim(s) or which is cited to establish the publication date of another citation or other special reason (as specified)

"O" document referring to an oral disclosure, use, exhibition or other means

"P" document published prior to the international filing date but later than the priority date claimed

"T" later document published after the international filing date or priority date and not in conflict with the application but cited to understand the principle or theory underlying the invention

"X" document of particular relevance; the claimed invention cannot be considered novel or cannot be considered to involve an inventive step when the document is taken alone

"Y" document of particular relevance; the claimed invention cannot be considered to involve an inventive step when the document is combined with one or more other such documents, such combination being obvious to a person skilled in the art

"&amp;" document member of the same patent family

Date of the actual completion of the international search

03 October 2008

Date of mailing of the international search report

23 OCT 2008

Name and mailing address of the ISA/US

Mail Stop PCT, Attn: ISA/US, Commissioner for Patents

P.O. Box 1450, Alexandria, Virginia 22313-1450

Facsimile No. 571-273-3201

Authorized officer:

Blaine R. Copenhagen

PCT Helpdesk: 571-272-4300

PCT OSP: 571-272-7774