



US0D1079293S

(12) **United States Design Patent**  
**de Vasconcelos**

(10) **Patent No.:** **US D1,079,293 S**

(45) **Date of Patent:** **\*\* Jun. 17, 2025**

(54) **EASEL**

(71) Applicant: **BI-OFFICE-SOLUÇÕES**  
**COLABORATIVAS, S.A.**, Esmoriz  
(PT)

(72) Inventor: **André Gonçalves Martins de**  
**Vasconcelos**, Esmoriz (PT)

(73) Assignee: **BI-OFFICE-SOLUÇÕES**  
**COLABORATIVAS, S.A.**, Esmoriz  
(PT)

(\*\*) Term: **15 Years**

(21) Appl. No.: **29/856,734**

(22) Filed: **Oct. 17, 2022**

(51) **LOC (15) Cl.** ..... **19-06**

(52) **U.S. Cl.**  
USPC ..... **D6/300**

(58) **Field of Classification Search**  
USPC ..... D6/300, 310, 12; D19/113, 114;  
D16/244

CPC ..... A47B 97/04; A47B 97/08; A47G 1/143;  
A47G 2001/146; A47G 2001/148

See application file for complete search history.

(56) **References Cited**

**U.S. PATENT DOCUMENTS**

D291,153 S \* 8/1987 Nakatani ..... D6/311  
D292,045 S \* 9/1987 McDowell ..... D6/311  
D305,833 S \* 2/1990 Koves ..... D3/315

D424,308 S \* 5/2000 Hutten ..... D6/312  
D572,026 S \* 7/2008 Paniccia ..... D6/311  
D1,018,639 S \* 3/2024 Zhang ..... D16/241  
D1,056,022 S \* 12/2024 Zhang ..... D16/244  
2007/0075209 A1\* 4/2007 Kapp ..... F16M 11/34  
248/460  
2021/0285595 A1\* 9/2021 Pao ..... F16M 11/38

\* cited by examiner

*Primary Examiner* — Deanna L Pratt

(74) *Attorney, Agent, or Firm* — Calderone McKay, LLC

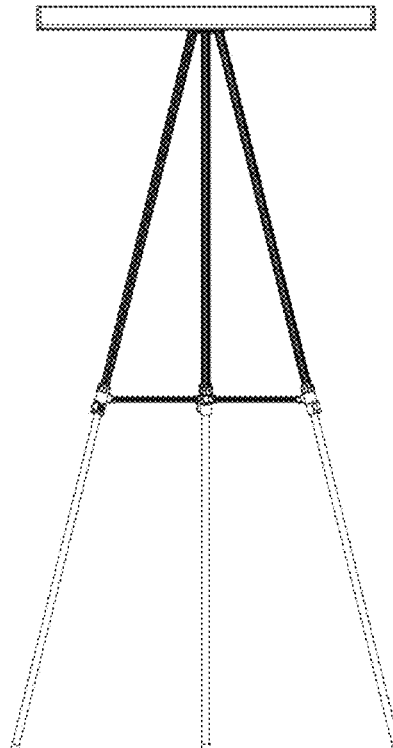
(57) **CLAIM**

The ornamental design for easel as shown and described.

**DESCRIPTION**

FIG. 1 is a front view;  
FIG. 2 is a back view;  
FIG. 3 is a right view;  
FIG. 4 is a top view; and,  
FIG. 5 is a perspective view, showing the new design  
thereof.

**1 Claim, 5 Drawing Sheets**



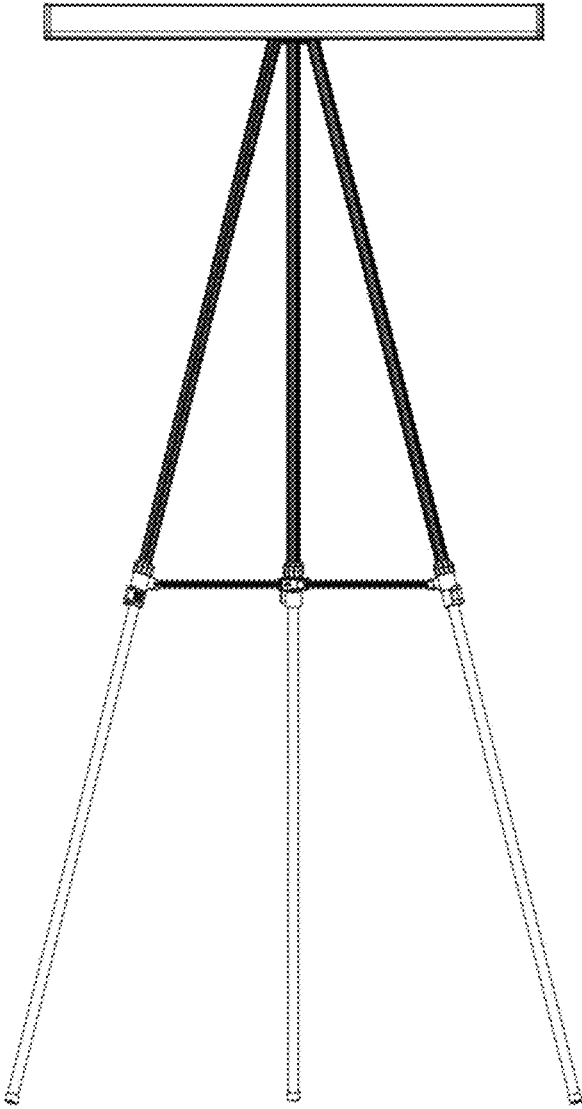


Fig. 1

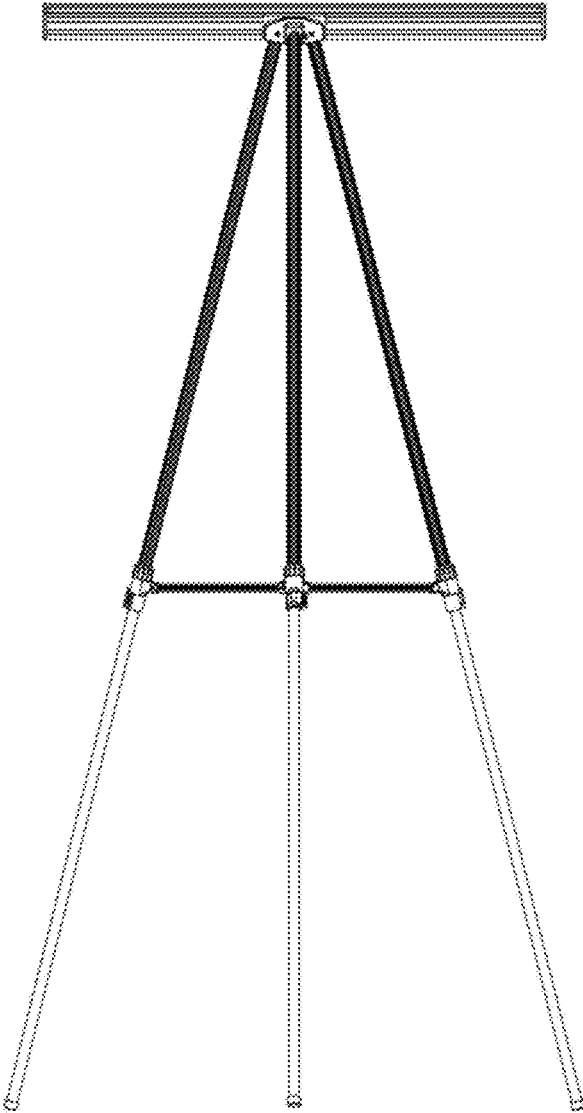


Fig. 2



Fig. 3

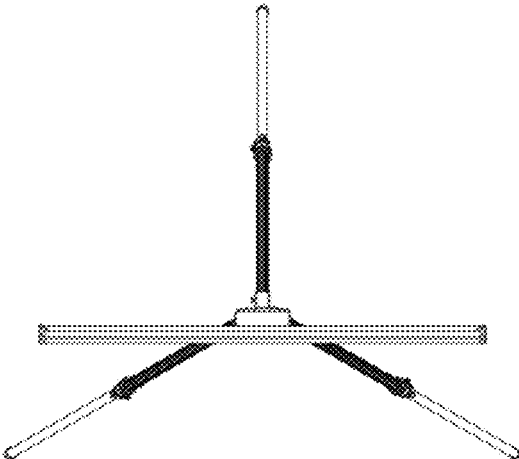


Fig. 4



Fig. 5