

(19) World Intellectual Property Organization  
International Bureau



(43) International Publication Date  
13 July 2006 (13.07.2006)

PCT

(10) International Publication Number  
**WO 2006/074175 A3**

(51) International Patent Classification:  
H01L 27/14 (2006.01) G02B 26/00 (2006.01)  
H01L 31/09 (2006.01)

(21) International Application Number:  
PCT/US2006/000100

(22) International Filing Date: 3 January 2006 (03.01.2006)

(25) Filing Language: English

(26) Publication Language: English

(30) Priority Data:  
11/028,946 3 January 2005 (03.01.2005) US

(71) Applicant (for all designated States except US): MIRA-  
DIA INC. [US/US]; 281 East Java Drive, Sunnyvale, Cal-  
ifornia 94089 (US).

(72) Inventors; and

(75) Inventors/Applicants (for US only): YANG, Xiao  
[CN/US]; 19500 Pruneridge Avenue, Apt. 6106, Cuper-  
tino, California 95014 (US). CHEN, Dongmin [US/US];  
19502 Via Monte Drive, Saratoga, California 95070  
(US). HUANG, Kegang [US/US]; 49198 Violet Terrace,  
Fremont, California 94539 (US).

(74) Agents: LARGENT, Craig, C. et al.; TOWNSEND AND  
TOWNSEND AND CREW LLP, Two Embarcadero Cen-  
ter, 8th Floor, San Francisco, California 94111-3834 (US).

(81) Designated States (unless otherwise indicated, for every  
kind of national protection available): AE, AG, AL, AM,  
AT, AU, AZ, BA, BB, BG, BR, BW, BY, BZ, CA, CH, CN,  
CO, CR, CU, CZ, DE, DK, DM, DZ, EC, EE, EG, ES, FI,  
GB, GD, GE, GH, GM, HR, HU, ID, IL, IN, IS, JP, KE,  
KG, KM, KN, KP, KR, KZ, LC, LK, LR, LS, LT, LU, LV,  
LY, MA, MD, MG, MK, MN, MW, MX, MZ, NA, NG, NI,  
NO, NZ, OM, PG, PH, PL, PT, RO, RU, SC, SD, SE, SG,  
SK, SL, SM, SY, TJ, TM, TN, TR, TT, TZ, UA, UG, US,  
UZ, VC, VN, YU, ZA, ZM, ZW.

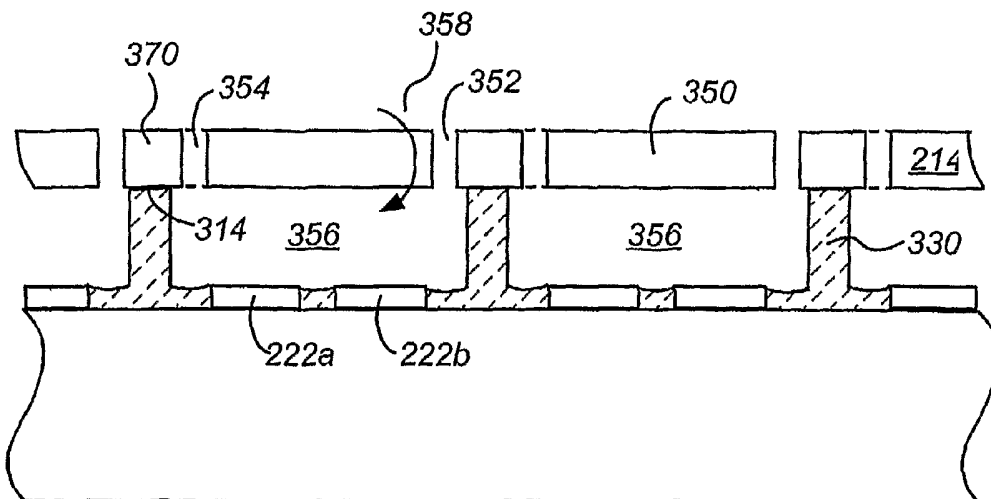
(84) Designated States (unless otherwise indicated, for every  
kind of regional protection available): ARIPO (BW, GH,  
GM, KE, LS, MW, MZ, NA, SD, SL, SZ, TZ, UG, ZM,  
ZW), Eurasian (AM, AZ, BY, KG, KZ, MD, RU, TJ, TM),  
European (AT, BE, BG, CH, CY, CZ, DE, DK, EE, ES, FI,  
FR, GB, GR, HU, IE, IS, IT, LT, LU, LV, MC, NL, PL, PT,  
RO, SE, SI, SK, TR), OAPI (BF, BJ, CF, CG, CI, CM, GA,  
GN, GQ, GW, ML, MR, NE, SN, TD, TG).

Published:  
— with international search report

(88) Date of publication of the international search report:  
7 December 2006

For two-letter codes and other abbreviations, refer to the "Guid-  
ance Notes on Codes and Abbreviations" appearing at the begin-  
ning of each regular issue of the PCT Gazette.

(54) Title: METHOD AND STRUCTURE FOR FORMING AN INTEGRATED SPATIAL LIGHT MODULATOR



(57) Abstract: A method of fabricating an integrated spatial light modulator. The method includes providing a first substrate in-  
cluding a bonding surface, processing a device substrate to form at least an electrode layer, the electrode layer including a plurality of  
electrodes, and depositing a standoff layer on the electrode layer. The method further includes forming standoff structures from the  
standoff layer and joining the bonding surface of the first substrate to the standoff structures on the device substrate. In a particular  
embodiment, the method further includes, after the step of depositing a standoff layer, performing chemical mechanical polishing of  
the standoff layer to planarize an upper surface of the standoff layer.

WO 2006/074175 A3

INTERNATIONAL SEARCH REPORT

International application No.

PCT/US06/00100

A. CLASSIFICATION OF SUBJECT MATTER

IPC: H01L 27/14( 2006.01),31/09( 2006.01);G02B 26/00( 2006.01)

USPC: 438/57,66;257/444;359/291

According to International Patent Classification (IPC) or to both national classification and IPC

B. FIELDS SEARCHED

Minimum documentation searched (classification system followed by classification symbols)

U.S. : 438/27,29,57,64,65,66,73; 257/428,431,432,444; 359/291,315

Documentation searched other than minimum documentation to the extent that such documents are included in the fields searched

Electronic data base consulted during the international search (name of data base and, where practicable, search terms used)  
Please See Continuation Sheet

C. DOCUMENTS CONSIDERED TO BE RELEVANT

Category *	Citation of document, with indication, where appropriate, of the relevant passages	Relevant to claim No.
X --- Y	WO 03/068669 A1 (KALVESTEN et al.) 21 August 2003 (21.08.2003), figures 1-5, pages 11-14	1,3,15-18 ----- 19,20
X --- Y	US 5,170,283 A (O'BRIEN et al.) 8 December 1992 (08.12.1992); figures 2, 4a, 7; columns 3-5	1, 4-6, 12 ----- 2, 7-9, 13, 14
X	US 2002/0024483 A1 (MAKINO) 28 February 2002 (28.02.2002), paragraphs 0065-0069.	1, 10-12
X,P	US 2005/0157370 A1 (CHEN) 21 July 2005 (21.07.2005), page 2.	1, 4-6
X,P	US 2005/0052725 A1 (NIKLAUS et al.) 10 March 2005 (10.03.2005), figures 1-4, paragraphs 0038-0047).	1

Further documents are listed in the continuation of Box C.

See patent family annex.

* Special categories of cited documents:		
"A" document defining the general state of the art which is not considered to be of particular relevance	"T"	later document published after the international filing date or priority date and not in conflict with the application but cited to understand the principle or theory underlying the invention
"E" earlier application or patent published on or after the international filing date	"X"	document of particular relevance; the claimed invention cannot be considered novel or cannot be considered to involve an inventive step when the document is taken alone
"I." document which may throw doubts on priority claim(s) or which is cited to establish the publication date of another citation or other special reason (as specified)	"Y"	document of particular relevance; the claimed invention cannot be considered to involve an inventive step when the document is combined with one or more other such documents, such combination being obvious to a person skilled in the art
"O" document referring to an oral disclosure, use, exhibition or other means		
"P" document published prior to the international filing date but later than the priority date claimed	"&"	document member of the same patent family

Date of the actual completion of the international search

11 May 2006 (11.05.2006)

Date of mailing of the international search report

02 AUG 2006

Name and mailing address of the ISA/US

Mail Stop PCT, Attn: ISA/US  
Commissioner for Patents  
P.O. Box 1450  
Alexandria, Virginia 22313-1450

Facsimile No. (571) 273-3201

Authorized officer

Carl W. Whitehead, Jr.

Telephone No. (571) 272-2800

## INTERNATIONAL SEARCH REPORT

International application No.  
PCT/US06/00100

## C. (Continuation) DOCUMENTS CONSIDERED TO BE RELEVANT

Category *	Citation of document, with indication, where appropriate, of the relevant passages	Relevant to claim No.
Y	2003/0030118 A1 (KIM) 13 February 2003 (13.02.2003), paragraphs 0072-0073).	2, 7-9, 19,20
Y	US 5,757,536 A (RICCO et al.) 26 May 1998 (26.05.1998), column 5.	9
Y	US 6,489,241 B1 (THILDERKVIST et al.) 3 December 2002 (03.12.2002), column 11.	13,14
A	US 6,642,913 B1 (KIMURA et al.) 4 November 2003 (04.11.2003).	4-6
A	US 2004/0214350 A1 (PAN et al.) 28 October 2004 (28.10.2004).	12,18

**INTERNATIONAL SEARCH REPORT**

International application No.  
PCT/US06/00100

Continuation of B. FIELDS SEARCHED Item 3:  
INSPEC  
-search terms: spatial light modulator, standoff, post