

- [54] **DIGITAL CLOCK OR THE LIKE**
- [75] Inventor: **David K. Haufe, Hinsdale, Ill.**
- [73] Assignee: **Sunbeam Corporation, Chicago, Ill.**
- [\*\*] Term: **14 Years**
- [21] Appl. No.: **79,688**
- [22] Filed: **Sep. 28, 1979**

- D. 237,058 10/1975 Hirosawa ..... D10/15
- D. 242,328 11/1976 Nagata ..... D10/15
- D. 256,676 9/1980 Haufe ..... D10/1

**OTHER PUBLICATIONS**

*Gifts & Dec. Access*, 1/72, p. 32, Digital Clock At Top--Left.

*Primary Examiner*—Nelson C. Holtje  
*Attorney, Agent, or Firm*—George R. Clark; Neil M. Rose; Clifford A. Dean

**Related U.S. Application Data**

- [62] Division of Ser. No. 794,904, May 9, 1977, Pat. No. Des. 256,676.

- [51] **Int. Cl.** ..... **D10-01**
- [52] **U.S. Cl.** ..... **D10/15**
- [58] **Field of Search** ..... D10/1, 15, 2, 24-27;  
D14/73; 368/223, 227, 233, 239-242

**References Cited**

**U.S. PATENT DOCUMENTS**

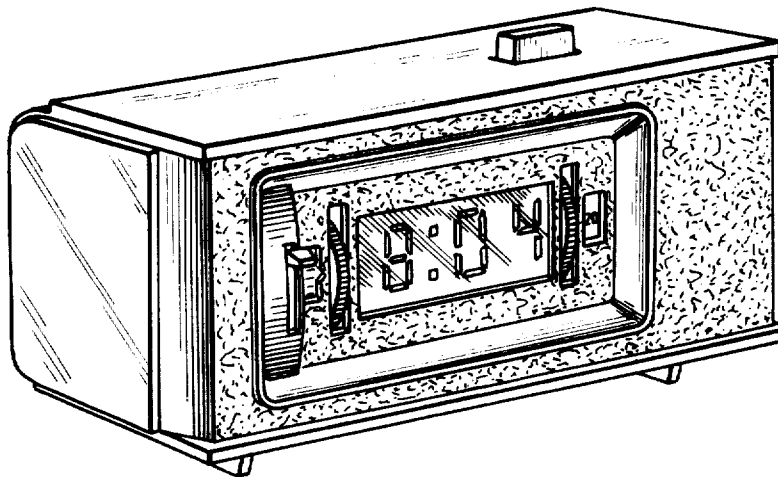
- D. 226,494 3/1973 Bergman ..... D10/15
- D. 232,814 9/1974 Watanabe ..... D10/15
- D. 234,577 3/1975 Powers ..... D10/15
- D. 236,189 8/1975 Daher ..... D10/15

[57] **CLAIM**

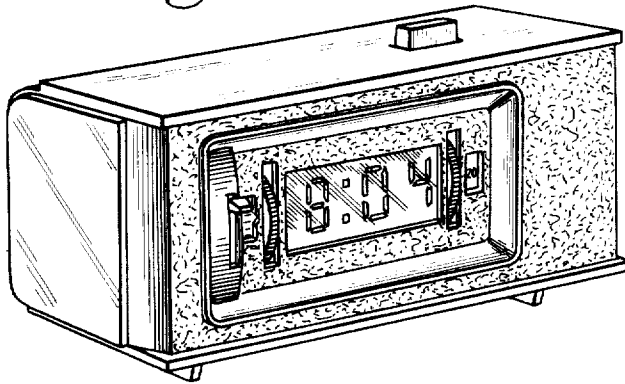
The ornamental design for a digital clock or the like, as shown and described.

**DESCRIPTION**

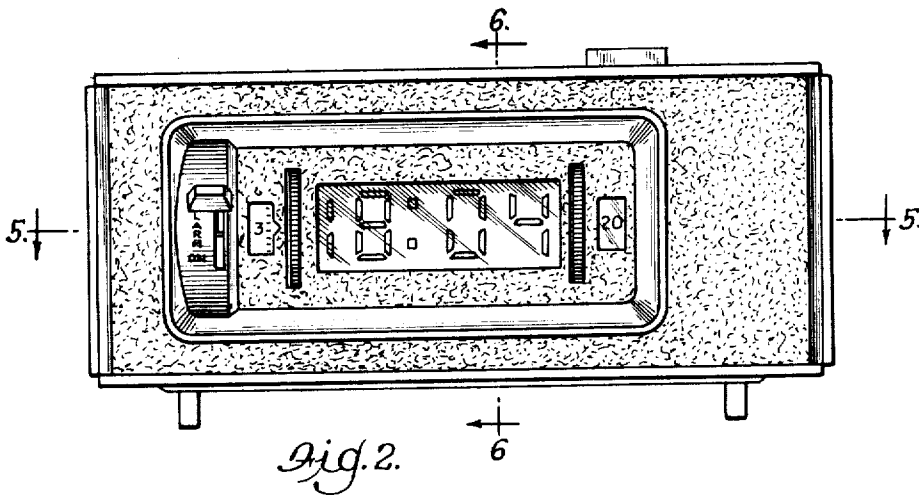
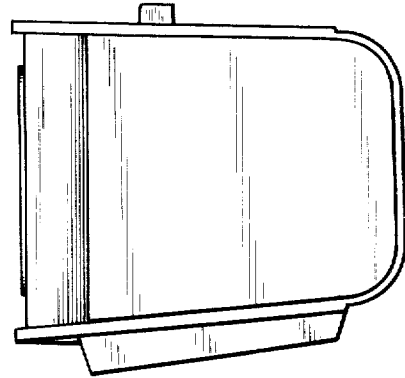
FIG. 1 is a front perspective view of a digital clock or the like showing my new design;  
 FIG. 2 is a front elevational view thereof;  
 FIG. 3 is a right side elevational view thereof, the left side being a mirror image thereto;  
 FIG. 4 is a top plan view thereof;  
 FIG. 5 is a cross-sectional view of FIG. 2 as taken from line 5-5; and  
 FIG. 6 is a cross-sectional view of FIG. 2 as taken from line 6-6.



*fig. 1.*

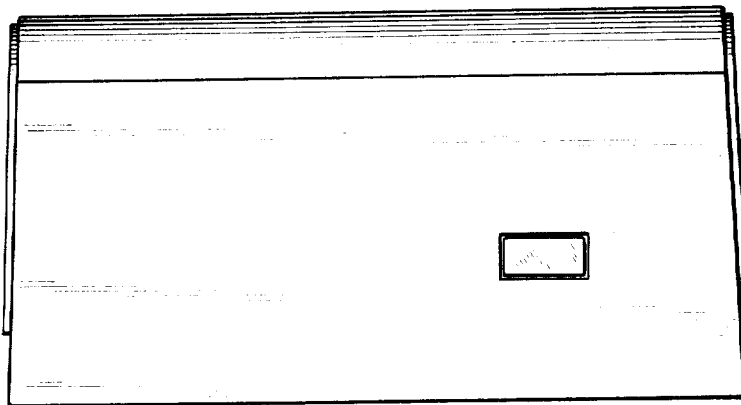


*fig. 3.*

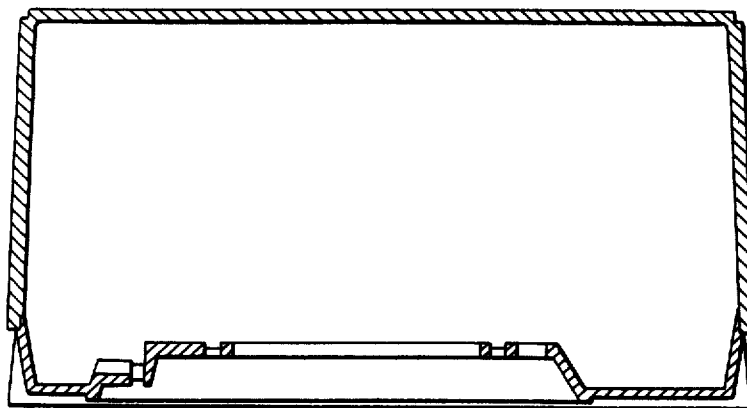


*fig. 2.*

*fig. 4.*



*fig. 5.*



*fig. 6.*

