

(19) World Intellectual Property Organization
International Bureau



(43) International Publication Date
24 March 2005 (24.03.2005)

PCT

(10) International Publication Number
WO 2005/027543 A1

(51) International Patent Classification⁷: H04Q 7/20, H04L 12/28

(21) International Application Number: PCT/US2004/028419

(22) International Filing Date: 1 September 2004 (01.09.2004)

(25) Filing Language: English

(26) Publication Language: English

(30) Priority Data: 10/658,021 9 September 2003 (09.09.2003) US

(71) Applicant (for all designated States except US): HARRIS CORPORATION [US/US]; 1025 W. NASA Blvd., Melbourne, FL 32919 (US).

(72) Inventors: CAIN, Joseph, Bibb; 200 Melbourne Avenue, Indialantic, FL 32903 (US). BERNHARDT, Richard, Charles; 5665 Sheffield Place, Melbourne, FL 32940 (US). WINDHAM, William, Anthony; 2786 School Drive NE, Palm Bay, FL 32905 (US).

(74) Agents: YATSKO, Michael, S. et al.; Harris Corporation, 1025 W. NASA Blvd., Melbourne, FL 32919 (US).

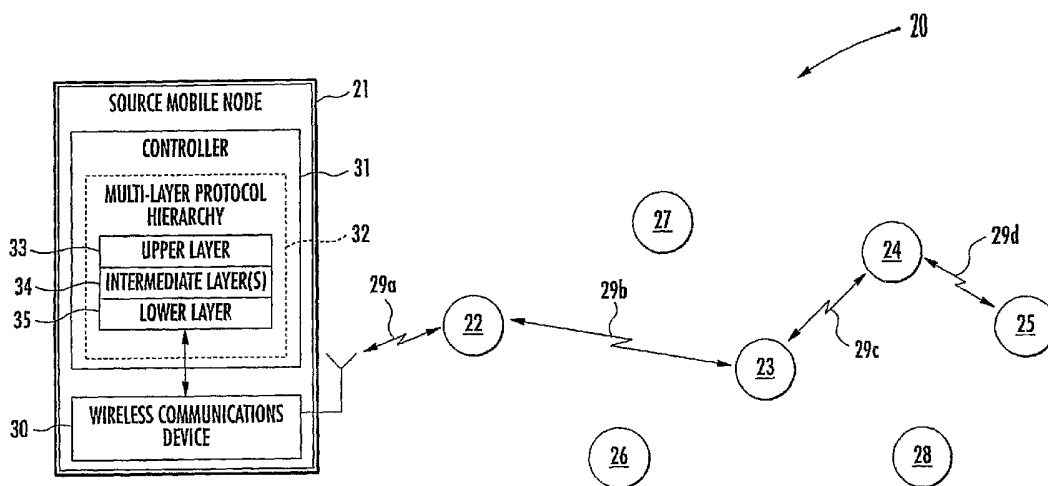
(81) Designated States (unless otherwise indicated, for every kind of national protection available): AE, AG, AL, AM, AT, AU, AZ, BA, BB, BG, BR, BW, BY, BZ, CA, CH, CN, CO, CR, CU, CZ, DE, DK, DM, DZ, EC, EE, EG, ES, FI, GB, GD, GE, GH, GM, HR, HU, ID, IL, IN, IS, JP, KE, KG, KP, KR, KZ, LC, LK, LR, LS, LT, LU, LV, MA, MD, MG, MK, MN, MW, MX, MZ, NA, NI, NO, NZ, OM, PG, PH, PL, PT, RO, RU, SC, SD, SE, SG, SK, SL, SY, TJ, TM, TN, TR, TT, TZ, UA, UG, US, UZ, VC, VN, YU, ZA, ZM, ZW.

(84) Designated States (unless otherwise indicated, for every kind of regional protection available): ARIPO (BW, GH, GM, KE, LS, MW, MZ, NA, SD, SL, SZ, TZ, UG, ZM, ZW), Eurasian (AM, AZ, BY, KG, KZ, MD, RU, TJ, TM), European (AT, BE, BG, CH, CY, CZ, DE, DK, EE, ES, FI, FR, GB, GR, HU, IE, IT, LU, MC, NL, PL, PT, RO, SE, SI, SK, TR), OAPI (BF, BJ, CF, CG, CI, CM, GA, GN, GQ, GW, ML, MR, NE, SN, TD, TG).

Published: with international search report

For two-letter codes and other abbreviations, refer to the "Guidance Notes on Codes and Abbreviations" appearing at the beginning of each regular issue of the PCT Gazette.

(54) Title: QoS BASED MODES SELECTION IN MOBILE AD-HOC NETWORKS



(57) Abstract: A mobile ad hoc network (MANET) (20) may include a plurality of mobile nodes (21-28) each including a wireless communications device (30) and a controller (31) connected thereto. The controller (31) may operate in accordance with a multi-layer protocol hierarchy (32'). More particularly, at an upper protocol layer (36'), the controller (31) may establish a quality-of-service (QoS) threshold. Furthermore, at at least one intermediate protocol layer (40') below the upper protocol layer (36'), the controller (31) may select between unicast and multicast communications modes based upon the QoS threshold. As such, at a lower protocol layer (44') below the at least one intermediate protocol layer (40'), the controller (31') may cooperate with the wireless communications device (30) to transmit data to at least one destination mobile node (25) based upon the selected communications mode.

WO 2005/027543 A1

**MOBILE AD HOC NETWORK (MANET) PROVIDING QUALITY-OF-SERVICE
(QOS) BASED UNICAST AND MULTICAST FEATURES**

Background of the Invention

Wireless networks have experienced increased development in the past decade. One of the most rapidly developing areas is mobile ad hoc networks (MANETs). Physically, a MANET includes a number of geographically distributed, potentially mobile nodes sharing one or more common radio channels. Compared with other types of networks, such as cellular networks or satellite networks, the most distinctive feature of MANETS is the lack of any fixed infrastructure. The network is formed of mobile (and potentially stationary) nodes, and is created on the fly as the nodes communicate with each other. The network does not depend on a particular node and dynamically adjusts as some nodes join or others leave the network.

In a hostile environment where a fixed communication infrastructure is unreliable or unavailable, such as in a battle field or in a natural disaster area struck by earthquake or hurricane, a MANET can be quickly deployed to provide much needed communications. While the military is still a major driving force behind the development of these networks, ad hoc networks are quickly finding new applications in civilian or commercial areas. MANETs will allow people and applications to exchange data in the field or in a class room without using any network structure except that which they create by simply turning on their computers or PDAs.

As wireless communication increasingly permeates everyday life, new applications for MANETs will continue to emerge and become an important factor in wireless communications. Yet, MANETs pose serious challenges to designers. Due to the lack of a fixed infrastructure, nodes must self-organize and reconfigure as they move, join or leave

the network. All nodes are essentially the same, and there is no natural hierarchy or central controller in the network. All functions have to be distributed among the nodes. Nodes are often powered by batteries and have limited communication and computation capabilities. Also, the bandwidth of the system is usually limited. The distance between two nodes often exceeds the radio transmission range, and a transmission may have to be relayed by other nodes before reaching its destination. Consequently, a MANET network typically has a multi-hop topology, and this topology changes as the nodes move around.

The MANET working group of the Internet Engineering Task Force (IETF) has been actively evaluating and standardizing routing protocols, including multicasting protocols. Because the network topology changes arbitrarily as the nodes move, information is subject to becoming obsolete, and different nodes often have different views of the network, both in time (information may be outdated at some nodes but current at others) and in space (a node may only know the network topology in its neighborhood and not far away from itself).

A routing protocol needs to adapt to frequent topology changes, possibly with less than accurate information. Because of these unique requirements, routing in these networks is very different than in others. Gathering fresh information about the entire network is often costly and impractical. Some routing protocols are reactive (i.e., on-demand) protocols. That is, they collect routing information only when necessary and only to destinations to which they need routes, and do not maintain unused routes. In this way the routing overhead may be reduced compared to pro-active protocols, which maintain optimal routes to all destinations at all time. Ad Hoc on Demand Distance Vector (AODV), Dynamic Source Routing (DSR) and Temporally Ordered Routing Algorithm

(TORA) are representatives of reactive routing protocols presented at the MANET working group.

An example of a proactive routing protocol is found in Clausen et al. entitled "Optimized Link State Routing Protocol," Internet Engineering Task Force (IETF) MANET Working Group, Internet Draft, October 31, 2001. Examples of other various routing protocols include Destination Sequenced Distance-Vector (DSDV) routing which is disclosed in U.S. Patent No. 5,412,654 to Perkins, and the Zone Routing Protocol (ZRP) which is disclosed in U.S. Patent No. 6,304,556 to Haas. ZRP is a hybrid protocol using both proactive and reactive approaches.

These conventional routing protocols use a best effort approach in selecting a route from the source node to the destination node. Typically, minimizing the number of hops is the main criteria in such approaches.

Quality-of-service (QoS) routing in MANETs is gaining interest. To provide quality-of-service, a protocol needs not only to find a route but also to identify and/or secure the resources along the route. Because of the potentially limited, shared bandwidth of the network, and the lack of a central controller which can account for and control these limited resources, nodes must negotiate with each other to manage the resources required for QoS routes. This is further complicated by frequent topology changes. Due to these constraints, QoS routing is more demanding than best-effort or minimum-hop routing.

Some examples of QoS routing approaches are set forth by Chenxi Zhu in the publication entitled "Medium Access Control and Quality-of-Service Routing for Mobile Ad Hoc Networks," 2001, and by M. Mirhakkak et al. in the publication entitled "Dynamic Quality-of-Service for Mobile Ad Hoc Networks," MITRE Corp., 2000. Zhu discusses establishing bandwidth guaranteed QoS routes in small networks whose

topologies change at a low to medium rate. Mirhakkak et al. are concerned with resource reservation requests that specify a range of QoS values while the network makes a commitment to provide service within this range.

5 Since MANETs are still in the initial stages of development, most attempts to implement QoS functionality in MANETs thus far have focused primarily on using QoS parameters to establish routes, as is the case with the above-noted prior art approaches. Yet, as MANETs continue to increase in size
10 and complexity, further QoS functionality may be needed along with ways to efficiently distribute QoS operations among different network protocol hierarchy layers.

Summary of the Invention

15 In view of the foregoing background, it is therefore an object of the present invention to provide a MANET that provides quality-of-service (QoS) based unicast and multicast communications and related methods.

20 This and other objects, features, and advantages in accordance with the present invention are provided by a mobile ad hoc network (MANET) that may include a plurality of mobile nodes each including a wireless communications device and a controller connected thereto. The wireless communications device may provide a selectable signal transmission pattern
25 for implementing unicast and multicast transmissions. Further, the controller may operate in accordance with a multi-layer protocol hierarchy. More particularly, at an upper protocol layer, the controller may establish a quality-of-service (QoS) threshold for data transmission.

30 Furthermore, at at least one intermediate protocol layer below the upper protocol layer, the controller may select between a unicast communications mode and a multicast communications mode based upon the QoS threshold. As such, at a lower protocol layer below the at least one intermediate

protocol layer, the controller may cooperate with the wireless communications device to transmit data to the at least one destination mobile node via the at least one selected route based upon the selected communications mode. Thus, the
5 controller may advantageously tailor signal transmission characteristics not only based upon QoS parameters, but also based upon the specific communications mode required for a given transmission.

Furthermore, at the at least one intermediate
10 protocol layer, the controller may select at least one route to the at least one destination mobile node based upon the QoS threshold. As such, the controller may also, at the lower protocol layer, cooperate with the wireless communications device to transmit the data to the at least one destination
15 mobile node via the at least one selected route.

In addition, at the at least one intermediate protocol layer, the controller may determine whether to require data reception acknowledgements (i.e., Acks or Naks) based upon the QoS threshold. At the lower protocol layer, the
20 controller may also cooperate with the wireless communications device to determine a QoS metric for the at least one selected route and, at the at least one intermediate protocol layer, determine whether the QoS metric falls below the QoS threshold.

25 Accordingly, at the lower protocol layer, the controller may cooperate with the wireless communications device to change at least one signal characteristic based upon a determination that the QoS metric has fallen below the QoS threshold. By way of example, the at least one signal
30 characteristic may be power, gain, and/or signal pattern. Thus, by adjusting such signal characteristics, the controller may advantageously increase signal connectivity with adjacent nodes, or reduce signal interference.

Similarly, at the at least one intermediate protocol layer, the controller may encode data prior to transmission. As such, the controller may also change the encoding based upon a determination that the QoS metric has fallen below the
5 QoS threshold. Moreover, at the lower protocol layer, the controller may cooperate with the wireless communications device to modulate the data using a first modulation technique if the QoS metric is greater than or equal to the QoS threshold, and otherwise use a second modulation technique.

10 Further, at the lower protocol layer, the controller may cooperate with the wireless communications device to transmit data at a data rate. Thus, the controller may also cooperate with the wireless communications device to change the data rate based upon a determination that the QoS metric
15 has fallen below the QoS threshold. Here again, this may also be done to increase node connectivity or decrease interference.

By way of example, the upper protocol layer may be an application layer. Furthermore, the at least one
20 intermediate protocol layer may include at least one of a session layer, a transport layer, a network layer, and a radio transport layer. Additionally, the lower protocol layer may be a physical layer. Also, the QoS threshold may be based upon at least one of available bandwidth, error rate, end-to-end
25 delay, end-to-end delay variation, hop count, expected path durability, and priority, for example.

A method aspect of the invention is for operating a mobile node in a MANET, such as the one described briefly above. The method may include, at an upper protocol layer,
30 establishing a quality-of-service (QoS) threshold. Moreover, the method may further include, at at least one intermediate protocol layer below the upper protocol layer, selecting between a unicast communications mode and a multicast communications mode based upon the QoS threshold. In addition,

the method may also include, at a lower protocol layer below
the at least one intermediate protocol layer, causing the
wireless communications device to transmit data to at least
one destination mobile node based upon the selected
5 communications mode.

Brief Description of the Drawings

FIG. 1 is schematic block diagram of a MANET in
accordance with the present invention.

10 FIG. 2 is a schematic block diagram of an alternate
embodiment of the multi-layer protocol hierarchy implemented
in the MANET of FIG. 1.

FIGS. 3 and 4 are schematic block diagrams
illustrating a MANET before and after adjusting signal
15 transmission power in accordance with the invention to
increase signal connectivity, respectively.

FIGS. 5 and 6 are schematic block diagrams
illustrating a MANET before and after adjusting signal
transmission power at a source mobile node in accordance with
20 the invention to decrease signal interference at an adjacent
mobile node, respectively.

FIG. 7 is a schematic block diagram of the MANET of
FIG. 5 after adjusting a signal transmission antenna pattern
at a source mobile node in accordance with the invention to
25 similarly reduce interference at an adjacent mobile node.

FIGS. 8-11 are flow diagrams illustrating methods
for operating a mobile node in a MANET in accordance with the
present invention.

Detailed Description of the Preferred Embodiments

30 The present invention will now be described more
fully hereinafter with reference to the accompanying drawings,
in which preferred embodiments of the invention are shown.
This invention may, however, be embodied in many different

forms and should not be construed as limited to the embodiments set forth herein. Rather, these embodiments are provided so that this disclosure will be thorough and complete, and will fully convey the scope of the invention to those skilled in the art. Like numbers refer to like elements throughout, and prime and multiple prime notation are used to indicate similar elements in alternate embodiments.

Referring initially to FIG. 1, a MANET **20** in accordance with the present invention illustratively includes a plurality of mobile nodes **21-28**. In the illustrated example, the mobile node **21** functions as a source node, while the mobile node **25** functions as a destination node with which the source node seeks to communicate. The nodes **21-28** may be any suitable type of mobile device capable of communicating within a MANET such as computers, personal data assistants (PDAs), etc., including a wireless communications device **30**, for example, and other devices which will be appreciated by those of skill in the art. Of course, it will also be appreciated that certain of the nodes **21-28** may optionally be connected to a fixed communication infrastructure in some applications, if desired.

The source mobile node **21** further illustratively includes a controller **31**, the operation of which will be described below. By way of example, the controller **31** may be implemented using microprocessors, memory, software, etc., as will be appreciated by those of skill in the art. Furthermore, the wireless communications device **30** may include wireless modems, wireless local area network (LAN) devices, cellular telephone devices, etc., as well as an associated antenna(s), as illustratively shown. By way of example, one or more phased array antennas (as well as other suitable antennas) may be used, as will be appreciated by those skilled in the art. It will further be understood that the mobile nodes **23-28** also preferably include suitable wireless communications

devices/controllers as well, which are not shown in FIG. 1 for clarity of illustration.

One function that the controller **31** performs is to establish one or more routes between the source mobile node **21** and the destination mobile node **25** for transferring data therebetween. A single route is illustratively shown in the exemplary embodiment that passes through mobile nodes **22-24** and includes wireless communications links **29a-29d**. It should be noted that while only a single route is shown for clarity of illustration, any number of routes may be used in accordance with the present invention.

As will be appreciated by those skilled in the art, MANET routes may include any number of intermediate nodes therein depending upon network size and proximity between the nodes, for example. Each intermediate node along a route is typically referred to as a "hop," thus routes passing through multiple intermediate nodes are sometimes referred to as "multi-hop" routes. It should be noted that while a relatively few number of intermediate nodes **22-24** are shown in the present example for clarity of illustration, the MANET **20** may include any number of nodes therein. Furthermore, it will be appreciated that portions of the route to the destination mobile node **25** could also include wired infrastructure.

It will also be appreciated that the way in which the controller **31** establishes routes will depend upon the particular MANET routing protocol being implemented in the MANET **20**. As noted above, this may be done using proactive protocols that keep routing information continuously up to date, reactive protocols which discover routes on-demand when there is a need to send data to the destination node **22**, or by a combination thereof. Any suitable MANET protocols may be used in accordance with the present invention to establish routes, such as those previously discussed above, for example.

While MANETs are still in their relative infancy and no universal standards have as yet been adopted, data communications within MANETS will likely follow the open system interconnection (OSI) architecture (or some variation thereof), as do other wireless networks (e.g., wireless LANs). By way of background, the OSI is a network protocol hierarchy which includes seven different control layers, namely (from highest to lowest) the application layer, presentation layer, session layer, transport layer, network layer, data link layer, and physical layer.

Generally speaking, in the OSI model control is passed from one layer to the next at an originating node or terminal starting at the application layer and proceeding to the physical layer. The data is then sent across the network, and when it reaches the destination terminal/node, it is processed in reverse order back up the hierarchy (i.e., from the physical layer to the application layer). Furthermore, data corresponding to each particular layer is typically organized in protocol data units (PDUs) referred to as packets at the network level.

In accordance with the present invention, the controller **31** similarly operates in accordance with a multi-layer protocol hierarchy **32** to provide an integrated framework for QoS operations. Generally speaking, the multi-layer protocol hierarchy includes an upper protocol layer **33**, one or more intermediate protocol layers **34**, and a lower protocol layer **35** over which complementary QoS operations are performed to provide enhanced QoS functionality.

More particularly, an exemplary embodiment of the multi-layer protocol hierarchy **32'** is illustratively shown in FIG. 2, and related methods for using the same are illustrated in FIGS. 8 and 9. It should be noted that the various protocol layers at which the method steps illustrated in FIGS. 8 and 9 are performed are illustratively shown with dashed lines and

labeled for clarity of illustration and understanding. In accordance with the multi-layer protocol hierarchy **32'**, beginning at Block **80**, the controller **31** may, at an application layer **36'**, establish a quality-of-service (QoS) threshold for data transfer across the MANET **20** (Block **81**).
5 More particularly, the application layer **36'** is preferably the layer at which the data to be transmitted is created or processed.

The QoS threshold (or type of service, TOS) will vary depending upon the particular application that is being
10 run at this upper layer. For example, time sensitive data, such as video or audio data, may require a greater QoS threshold to maintain the integrity thereof than text data files. One common way to define the QoS threshold required for
15 a particular application is by the total end-to-end delay that can be tolerated for data transmissions. However, numerous other QoS parameters may be used in accordance with the present invention for defining a QoS threshold. For example, such parameters may include one or more of available
20 bandwidth, error rate, end-to-end delay variation, hop count, expected path durability, priority, etc., as will be appreciated by those skilled in the art.

At a QoS support layer **37'** below the application layer **36'**, the controller **31** determines whether to require
25 data reception acknowledgements based upon the QoS threshold and mode, at Block **82**. That is, in some circumstances it will be desirable to have receiving mobile nodes acknowledge ("Ack") receipt of transmitted data, and/or inform the source mobile node **21** when correct receipt of the data cannot be
30 acknowledged ("Nack"), as will be appreciated by those skilled in the art. The QoS support layer **37'** may conceptually be thought of as a session and/or transport layer with respect to the OSI model, as illustratively shown in FIG. 2.

Data packet reception acknowledgement may be particularly useful, for example, when the source mobile node **21** needs to perform a "reliable" multicast operation to adjacent nodes. By way of example, if the mobile nodes are
5 organized into clusters or groups and the source mobile node **21** serves as a cluster leader node, it may need to send updated network topology information or other control data to the other nodes in its cluster. Thus, the source mobile node **21** can request that these nodes acknowledge receipt of this
10 important data. Of course, data acknowledgements can be used in many other circumstances as needed based upon the importance of the data and the overhead that will be required for the extra Ack/Nack transmissions.

Moreover, another particularly advantageous function
15 that may be performed at the QoS support layer **37'** is high-level admission control. More particularly, beginning at block **89** (FIG. 9), the controller **31** may determine whether to admit traffic from other mobile nodes based upon respective QoS route requests received therefrom and an internal QoS metric
20 for the source node **21**. That is, the controller **31** essentially determines what type of traffic that it can presently support based upon its own QoS requirements/resources and those of other mobile nodes requesting access to the resources of the source node **21**.

25 By way of example, the internal QoS metric may include one or more of available power, available bandwidth, recent error rate, and recent delay. For clarity of illustration, the admission control operations are shown as being performed in a block **47'** separate from the QoS support
30 layer **37'** in FIG. 2. However, some or all of these operations may be performed by the same controller or processor at the QoS support layer **37'** (although they could be performed by separate processors and at other layers as well). Further details regarding such admission control operations are

provided in co-pending U.S. Application Serial No. 10/134,173 filed April 29, 2002 and assigned to the present Assignee, which is hereby incorporated herein in its entirety by reference.

5 At a QoS packet coding layer **38'** below the QoS support layer **37'**, the controller **31** encodes data from the application layer **36'** for transmission to the destination mobile node (or nodes) **25**, at Block **83**. Of course, it will be appreciated by those of skill in the art that data packets
10 received from other mobile nodes to be used by the controller **31** of the application layer **36'** may also be decoded at the QoS packet coding layer **38'** as well as using a complementary decoding algorithm to the encoding algorithm used by a sending mobile node.

15 One particularly advantageous coding approach is for the controller **31** to encode data using a forward error correction (FEC) algorithm to generate error correction data for the data based upon the QoS threshold. Moreover, the controller **31** may also select a plurality of routes for
20 transmitting data to the destination mobile node **25**. In such case, the controller **31** may advantageously interleave the error correction data and the data packets to be transmitted and distribute the interleaved data across the plurality of selected routes, at Block **91**.

25 By performing FEC and distributing the interleaved data across a plurality of routes, the MANET thus allows corrupted data packets to be corrected even when one of the routes is lost, allowing transmission to continue while a new route is established, if necessary. Moreover, the additional
30 amount of data associated with the FEC encoding may be spread across the plurality of routes, thus mitigating the increased bandwidth requirements. Further details regarding the FEC/interleaving operations that may be performed at the QoS packet coding layer **38'** are provided in co-pending U.S.

Application Serial No. 10/369,313 filed February 19, 2003 and assigned to the present assignee, which is hereby incorporated herein in its entirety by reference.

Route selection may be performed at a QoS route
5 selection layer **39'** below the QoS coding layer **38'**, at Block
84. Generally speaking, the controller **31** causes QoS route
requests to be sent to adjacent mobile nodes to discover
potential routes to a desired destination mobile node (or
nodes). Route confirmations are then returned to the source
10 mobile node **21** which include an indication or metric of what
QoS level(s) the route can support or provide. A list of
available routes may then be stored in a routing table **45'**,
from which the controller **31** selects a desired route(s) based
upon a routing algorithm. Several particularly advantageous
15 approaches for establishing and sending data across one or
more routes within a MANET are described in co-pending U.S.
Application Serial No. 10/214,997 filed August 8, 2002, co-
pending U.S. Application Serial No. 10/174,721 filed June 19,
2002, and a co-pending application entitled ROUTE SELECTION IN
20 MOBILE AD-HOC NETWORKS BASED ON TRAFFIC STATE INFORMATION,
attorney docket no. GCSD-1468 (51334), all of which are
assigned to the present Assignee and are hereby incorporated
herein in their entirety by reference.

Furthermore, at Block **92**, the controller **31** may
25 optionally perform load-leveling at the QoS route selection
layer **39'** on outgoing data based upon the QoS threshold and an
energy usage level (i.e., power) required to transmit the
outgoing data. This advantageously allows power consumption,
available QoS, and the QoS required by a given application to
30 be appropriately balanced for a given situation. Further
details regarding load-leveling operations are provided in a
co-pending application entitled LOAD LEVELING IN MOBILE AD-HOC
NETWORKS TO SUPPORT END-TO-END DELAY REDUCTION, QoS AND ENERGY

LEVELING, attorney docket no. GCSD-1470 (51336), which is hereby incorporated herein in its entirety by reference.

In addition, at a QoS forwarding layer **40'** below the QoS route selection layer **39'**, the controller **31** preferably
5 selects between a unicast communications mode and a multicast communications mode, at Block **93**. More particularly, the controller **31** may dictate at the application layer **36'** the particular type of communications mode to be selected at the QoS forwarding layer **40'** for a given application (e.g.,
10 reliable multicast communications for cluster leader node broadcasts).

For other applications, a particular communications mode may not necessarily be specified at the application layer **36'**. As such, the controller **31** may determine which
15 communications mode is appropriate based upon the QoS threshold. Of course, this determination may also take into account other factors, such as availability of particular wireless communications device **30** resources, whether a particular type of transmission is likely to cause unintended
20 interference with other mobile nodes, etc. In particular, even if a particular communications mode has been specified at the application layer **36'**, the controller may determine at the QoS forwarding layer **40'** that based upon one or more of the above-noted factors a different communications mode should be used.

25 Furthermore, at a QoS traffic layer **41'** below the QoS forwarding layer **40'**, the controller **31** preferably controls data traffic flow and may also manage its data queue(s) to maintain the QoS threshold, at Block **85**. In particular, in one advantageous embodiment the above-noted QoS
30 route requests may have respective traffic flow identifiers and second QoS thresholds or ceilings associated therewith. As such, the controller **31** may advantageously police admitted traffic based upon respective traffic flow identifiers to ensure that the admitted traffic does not exceed respective

second QoS thresholds, at Block **94**. Further details regarding such traffic policing is provided in co-pending U.S. Application Serial No. 10/134,714 filed April 29, 2002 assigned to the present Assignee, which is hereby incorporated
5 herein in its entirety by reference.

Further, at at least one lower protocol layer below the QoS traffic layer **41'**, the controller **31** cooperates with the wireless communications device **30** to transmit data to the destination mobile node **25** via the selected route(s) based
10 upon the commands/data provided from the higher layers, as will be appreciated by those skilled in the art, thus concluding the method illustrated in FIG. 8 (Block **87**).

Further, when unicast and multicast modes are both implemented by the controller **31**, the controller may
15 advantageously cooperate with the wireless communications device **30** to transmit the data based upon the particular communications mode selected. That is, various signal transmission characteristics may be adjusted or tailored depending upon the particular type of communications mode that
20 is being used, as well as QoS metrics for the selected route(s), at Blocks **95-98**, thus concluding the method illustrated in FIG. 9 (Block **99**). Adjustment of signal transmission and reception characteristics will be discussed further below.

25 More specifically, the lower protocol layers of the hierarchy **32'** preferably include a radio adaptation layer **42'** below the QoS traffic layer **41'**, a media access (MAC) layer **43'** below the radio adaptation layer, and a physical (PHY) layer **44'** below the MAC layer. The radio adaptation layer **42'**
30 provides an interface between the upper protocol layers and the MAC and PHY layers, the latter of which is where the controller **31** physically interfaces with the wireless communications device **30**. Of course, it will be appreciated by those skilled in the art that other layers may be included

within the hierarchy **32'** as well, such as a link layer, for example, and that certain of the functions described herein may be implemented at different layers in certain embodiments.

Accordingly, at the physical layer **44'**, the
5 controller **31** preferably cooperates with the wireless communications device **30** to determine a QoS metric for the selected route(s), at Block **95**, which may be used to determine whether any QoS adjustments need to be made, or whether communications are simply no longer possible over the route.
10 It will also be appreciated that QoS metrics are not only used for maintaining a QoS for an established route, but they are also typically used for route discovery and selection, which is illustratively shown in FIG. 2 by the operational block **46'**. Again, it should be noted that although the block **46'** is
15 shown separate from the radio adaptation layer **42'** for clarity of illustration, the operations illustrated therein may in fact be performed at the radio adaptation layer (or other layers).

By monitoring the QoS metric for a selected route,
20 the controller **31** at the QoS route selection layer **39'** may determine if the QoS metric falls below the QoS threshold, at Block **96**. If it does, at the physical layer **44'**, the controller **31** may cooperate with the wireless communications device **30** to adjust one or more signal characteristics to
25 improve the QoS metric, at Block **97**.

Referring now additionally to FIGS. 3-7 and 10-11, specific examples of how signal characteristics can be adjusted to improve QoS will now be described. A first example is when the QoS metric indicates that signal connectivity to a
30 desired mobile node, such as a next mobile node along a selected route, has diminished to an undesirable level (e.g., below the QoS threshold).

With respect to the MANET **50** illustrated in FIG. 3, which includes a source mobile node **51** and mobile nodes **52-58**

adjacent thereto, the source mobile node transmits over an area 59' defined by the radius r_1 . Thus, after establishing the QoS threshold, determining the QoS metric and selecting the desired route(s) (Blocks 100-103) as described above, when it is determined that the QoS metric has fallen below the QoS threshold (Block 104), the controller 31 cooperates with the wireless communications device 30 at the PHY layer 44' to increase signal transmission power, as illustratively shown in FIG. 4. The determination of reduced signal connectivity can be made based upon one or more QoS factors, such as error rate, received signal strength, etc., as will be appreciated by those skilled in the art.

As a result, the transmission area 59' of the MANET 50' is now defined by a circle with a radius r_2 greater than the radius r_1 . Thus, for example, if the source mobile node 51 had initially been communicating with the mobile node 54 and it moves out of range (as in FIG. 3), increasing the signal transmission power causes this node to be within the transmission area 59'.

Of course, the opposite approach may be taken to avoid causing interference to adjacent neighboring mobile nodes unintentionally. Consider the MANET 60 shown in FIG. 5, which illustratively includes a source mobile node 61 and a neighboring mobile node 62 that are interfering with one another. In particular, a transmission from the source mobile node 61 to a mobile node 63-67 causes unintended interference at the mobile node 62. Thus, for example, if the QoS metric indicates that interference from the mobile nodes 62 is causing the QoS threshold not to be met, the controller 31 may determine that the mobile nodes 61 and 62 are interfering with one another and decrease its signal transmission power accordingly. As such, its signal transmission area 68 is reduced from the circle defined by the radius r_{11} (FIG. 5) to a smaller circle defined by a radius r_{21}

(FIG. 6), which no longer causes interference to the mobile node 62'.

In addition to signal power, other signal characteristics may be adjusted as well to achieve similar results (i.e., increased inter-node connectivity or reduced interference). For example, in the case illustrated in FIG. 7, the signal transmission antenna pattern (or beam shape) has been changed to exclude the mobile node 62'' from the transmission area 68'', as illustratively shown. Another similar technique is to adjust signal transmission gain in a desired direction, which also effects the transmission area, as will be appreciated by those skilled in the art.

Furthermore, by adjusting the signal transmission power, signal transmission gain, and/or signal transmission pattern based upon a determination that the QoS metric has fallen below the QoS threshold, the controller 31 may also advantageously adjust the signal transmission range to incorporate more mobile nodes. This may be particularly beneficial when additional routes are needed, or when new nodes join a cluster or groups of nodes, for example.

Other signal characteristics may optionally be adjusted as well to provide improved QoS, at Block 106. For example, the error coding being performed may be changed, as will be appreciated by those skilled in the art. Similarly, the controller 31 may cooperate with the wireless communications device 30 to modulate data using a first modulation technique if the QoS metric is greater than or equal to the QoS threshold, and otherwise using a second modulation technique. By way of example, suitable modulation techniques may include TDMA, CDMA, FDMA, and SDMA, as well as others. Transmission is then performed in accordance with the adjusted signal characteristics, at Block 107, thus concluding the illustrated method (Block 108).

Further still, the controller **31** cooperates with the wireless communications device **30** to transmit data at a desired data rate. As such, the controller **31** may also cooperate with the wireless communications device **30** to adjust
5 the data rate as necessary based upon the available QoS, as will be appreciated by those skilled in the art.

It will also be appreciated that similar techniques may also be used to decrease interference that a particular node receives from an adjacent interfering node. That is, a
10 destination mobile node may determine that the QoS metric for a route over which it is receiving data has fallen below the QoS threshold set at the application layer **36'** (which could be provided by the source mobile node, agreed upon by both nodes, or independently established). In such case, the controller **31**
15 can adjust overall signal reception gain and/or a signal reception pattern, for example, as similarly described above, to reduce interference caused by the interfering mobile node when receiving data, at Blocks **110'** and **111'** (FIG. 11).

In addition, the wireless communications device **30**
20 may also operate over a plurality of channels, illustratively represented by MAC/PHY columns **47a'-47c'** in FIG. 2. Thus, if a given route is associated with one of the plurality of channels, the controller **31** may cooperate with the wireless communications device **30** to scout or monitor one or more other
25 available physical channels when a QoS level of the selected route falls below the QoS threshold. Further details on such channel monitoring and selection are provided in U.S. Application Serial No. 10/134,862 filed April 29, 2002 and assigned to the present Assignee, which is hereby incorporated
30 herein in its entirety by reference. Of course, it should be noted that the columns **47a'-47c'** could correspond to other physical layer settings or "knobs" as well, such as modulation type, communications mode type, etc.

It will therefore be appreciated by those skilled in the art that the protocol hierarchy of the present invention provides a QoS framework for efficiently and conveniently organizing cooperating QoS operations to provide enhanced QoS. Moreover, the present invention provides a total and integrated framework that allows component-based development for particular application and use scenarios. Further, it also provides for the use of traffic state (e.g., utilization, residual capacity, number of hops, transit delays, etc.) to aid in the production of multiple alternative source-to-destination packet routes.

Moreover, in accordance with the present invention, the radio adaptation layer 42' may advantageously allow the use of multiple radio interfaces (e.g., different radio types, interfaces, physical channels, etc.). Further, the present invention also provides QoS-driven PHY layer adaptation to improve coverage, decrease interference, increase the number of neighboring nodes reached, and improve reliability. Additionally, data packets may be coded at the upper protocol layers to provide greater error correction, etc., as needed, and multiple routes may also advantageously be used to provide greater reliability and throughput, as well as lessening end-to-end delay.

CLAIMS

1. A mobile ad hoc network (MANET) comprising:
a plurality of mobile nodes each comprising a
5 wireless communications device providing a selectable signal
transmission pattern and a controller connected thereto;
said controller operating in accordance with a
multi-layer protocol hierarchy for,
10 at an upper protocol layer, establishing a
quality-of-service (QoS) threshold;
at at least one intermediate protocol layer
below the upper protocol layer, selecting between a
unicast communications mode and a multicast
communications mode based upon the QoS threshold;
15 and
at a lower protocol layer below the at least
one intermediate protocol layer, cooperating with
said wireless communications device to transmit data
to at least one destination mobile node based upon
20 the selected communications mode.
2. The MANET of Claim 1 further comprising:
at the at least one intermediate protocol layer,
selecting at least one route to the at least one destination
25 mobile node based upon the QoS threshold; and
at the lower protocol layer, cooperating with said
wireless communications device to transmit the data to the at
least one destination mobile node via the at least one
selected route.
30
3. The MANET of Claim 1 wherein, at the at least
one intermediate protocol layer, said controller determines
whether to require data reception acknowledgements based upon
the QoS threshold.

4. The MANET of Claim 1 wherein, at the lower protocol layer, said controller cooperates with said wireless communications device to determine a QoS metric for the at least one selected route; and wherein, at the at least one
5 intermediate protocol layer, said controller determines whether the QoS metric falls below the QoS threshold.

5. The MANET of Claim 4 wherein, at the lower protocol layer, said controller cooperates with said wireless
10 communications device to change at least one signal characteristic based upon a determination that the QoS metric has fallen below the QoS threshold.

6. A method for operating a mobile node in a
15 mobile ad hoc network (MANET), comprising a plurality of mobile nodes, in accordance with a multi-layer protocol hierarchy, the mobile node comprising a wireless communications device providing a selectable signal transmission pattern, and the method comprising:
20 at an upper protocol layer, establishing a quality-of-service (QoS) threshold;
at at least one intermediate protocol layer below the upper protocol layer, selecting between a unicast communications mode and a multicast communications mode based
25 upon the QoS threshold; and
at a lower protocol layer below the at least one intermediate protocol layer, causing the wireless communications device to transmit data to at least one
30 destination mobile node based upon the selected communications mode.

7. The method of Claim 6 further comprising:
at the at least one intermediate protocol layer,
selecting at least one route to the at least one destination
mobile node based upon the QoS threshold; and
5 at the lower protocol layer, causing wireless
communications device to transmit the data to the at least one
destination mobile node via the at least one selected route.

8. The method of Claim 6 further comprising, at
10 the at least one intermediate protocol layer, determining
whether to require data reception acknowledgements based upon
the QoS threshold.

9. The method of Claim 6 further comprising:
15 at the lower protocol layer, using the wireless
communications device to determine a QoS metric for the at
least one selected route; and
at the at least one intermediate protocol layer,
determining whether the QoS metric falls below the QoS
20 threshold.

10. The method of Claim 9 further comprising, at
the lower protocol layer, causing the wireless communications
device to adjust at least one signal characteristic based upon
25 a determination that the QoS metric has fallen below the QoS
threshold.

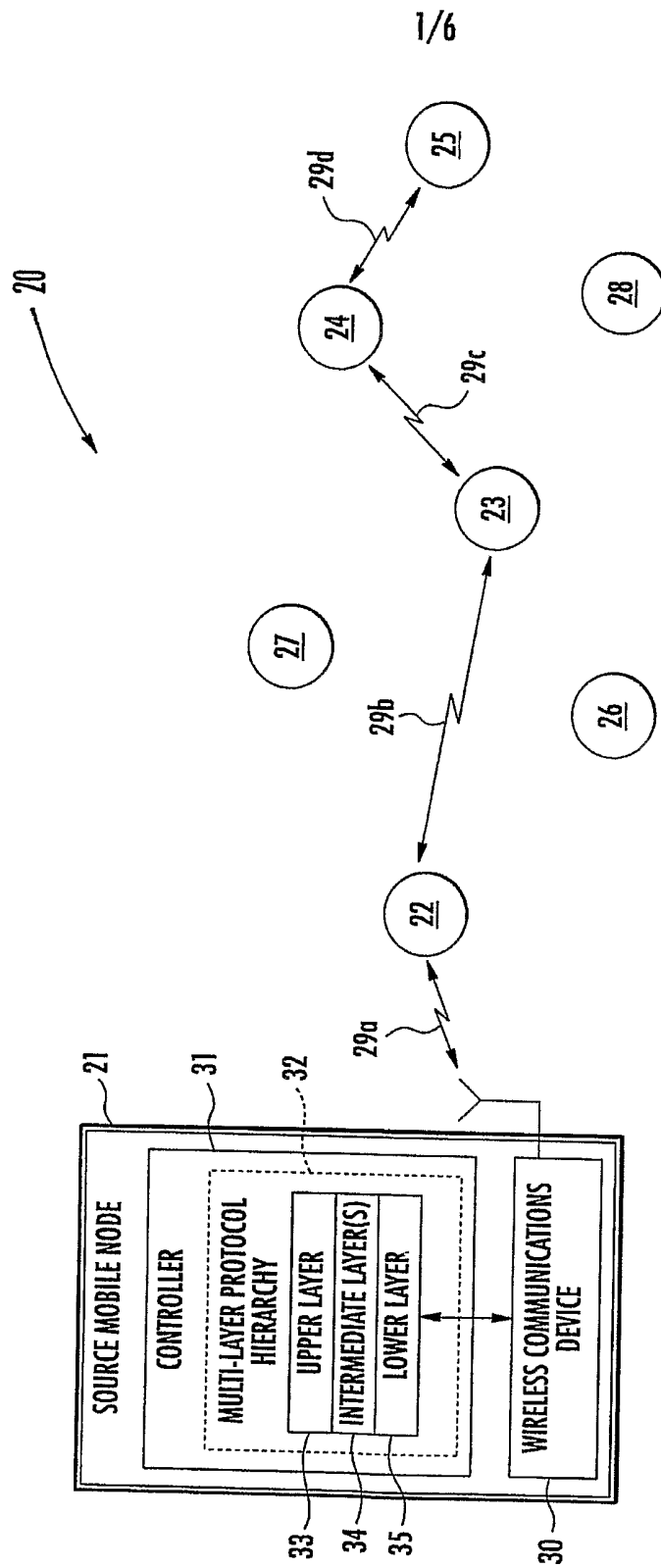


FIG. 1

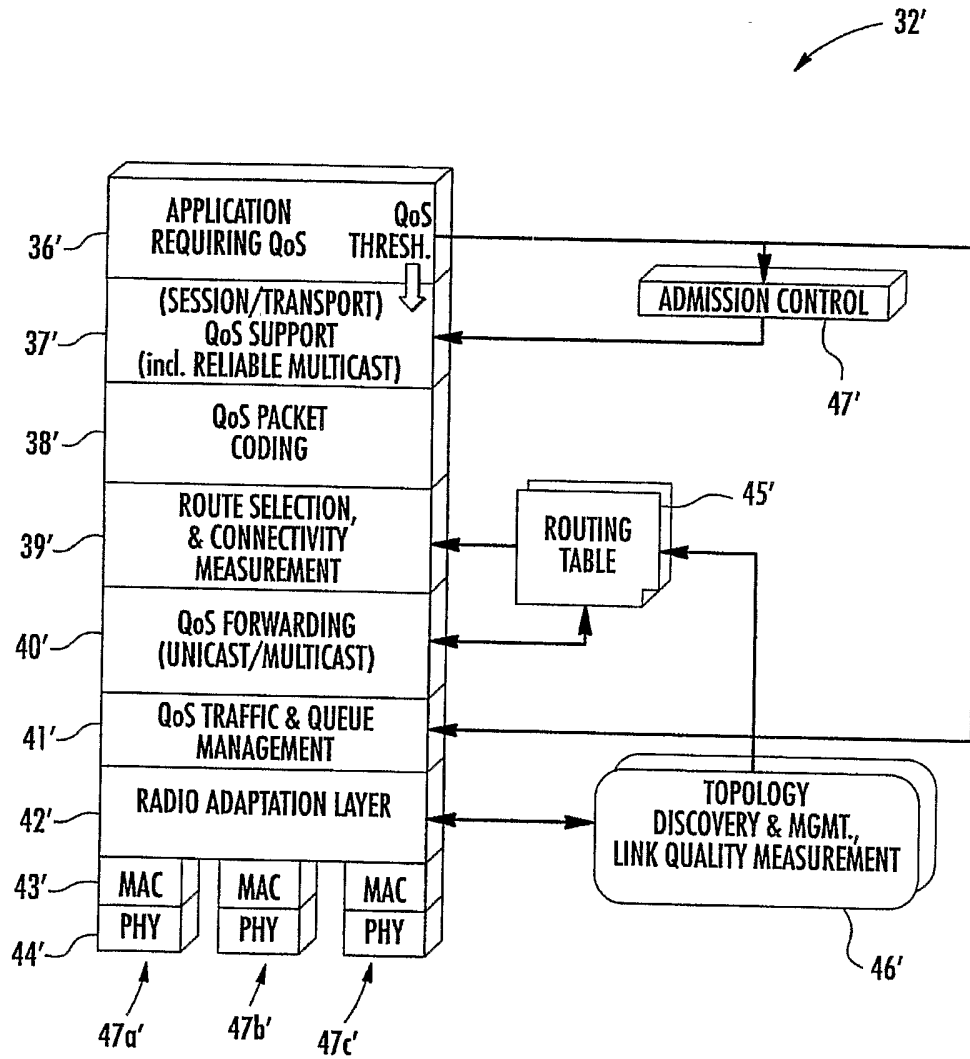


FIG. 2

3/6

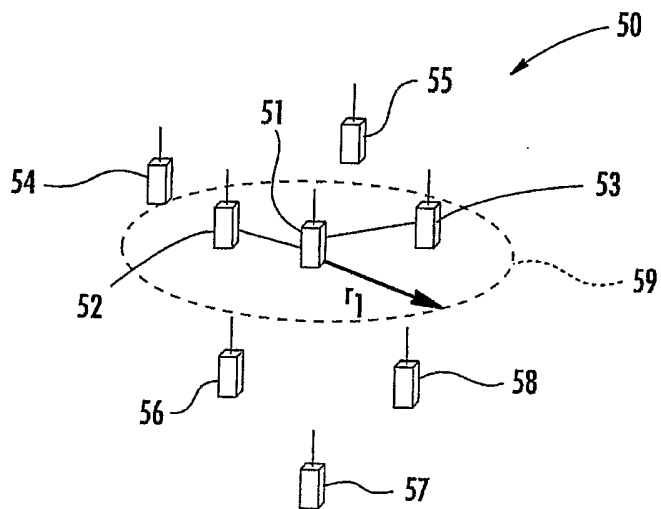


FIG. 3

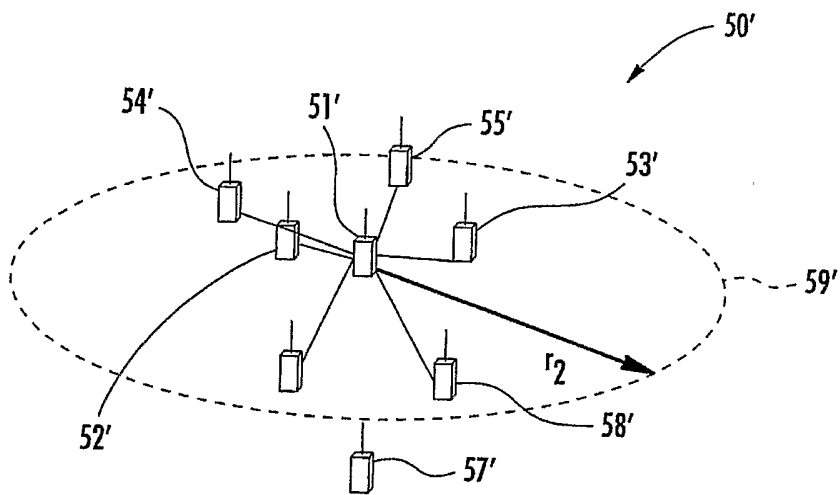


FIG. 4

4/6

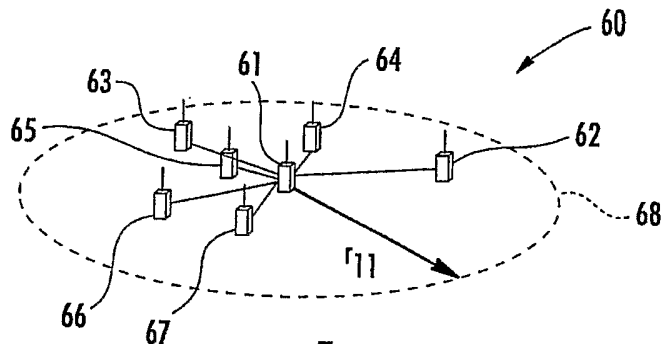


FIG. 5

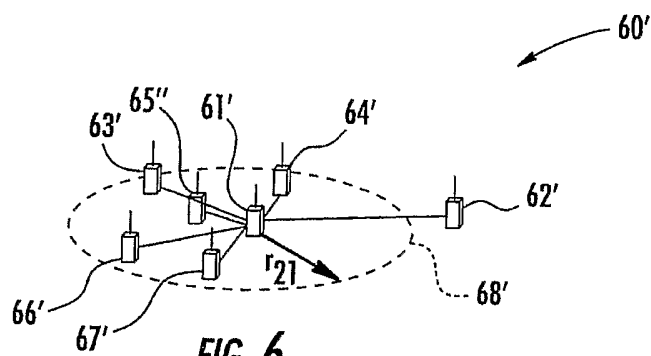


FIG. 6

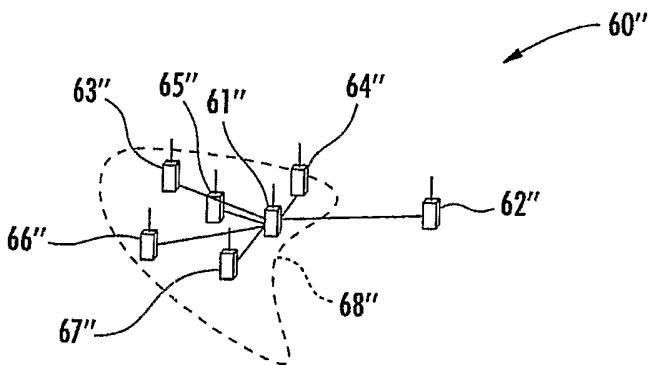


FIG. 7

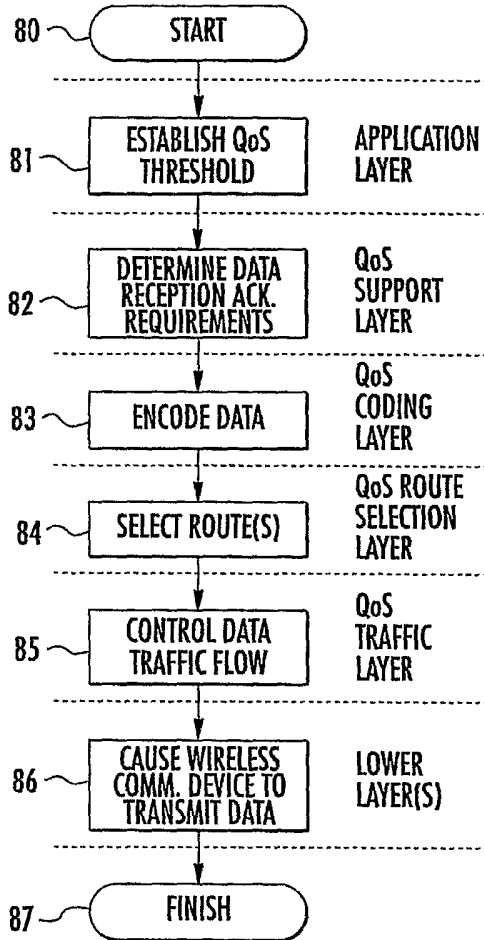


FIG. 8

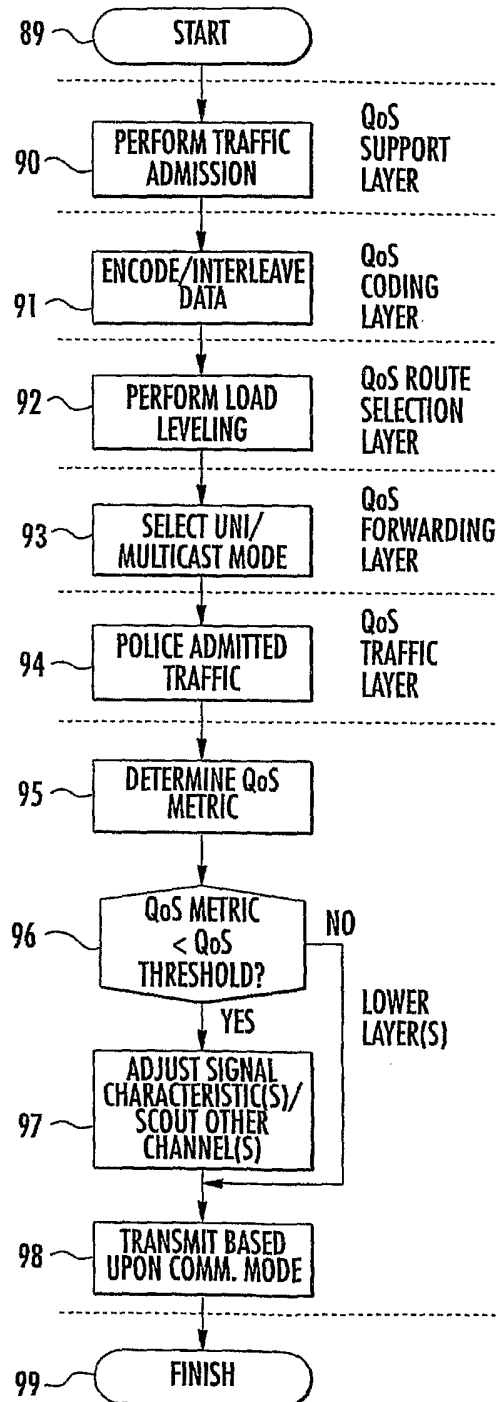


FIG. 9

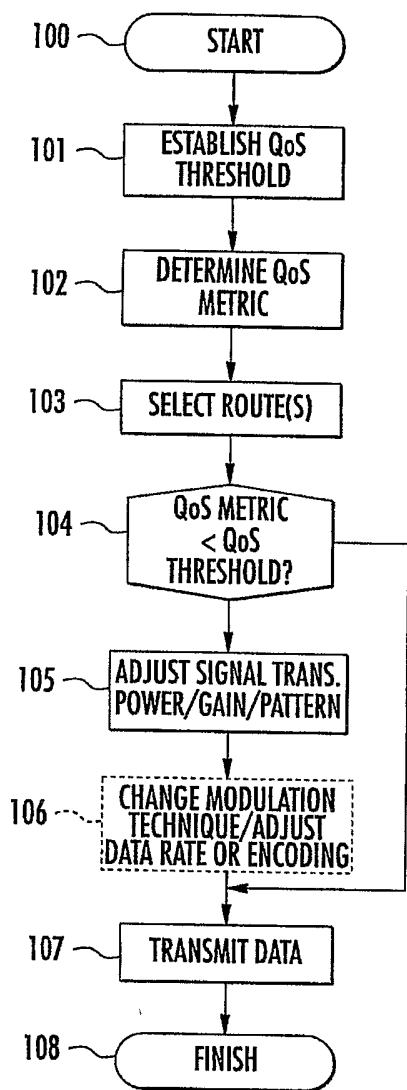


FIG. 10

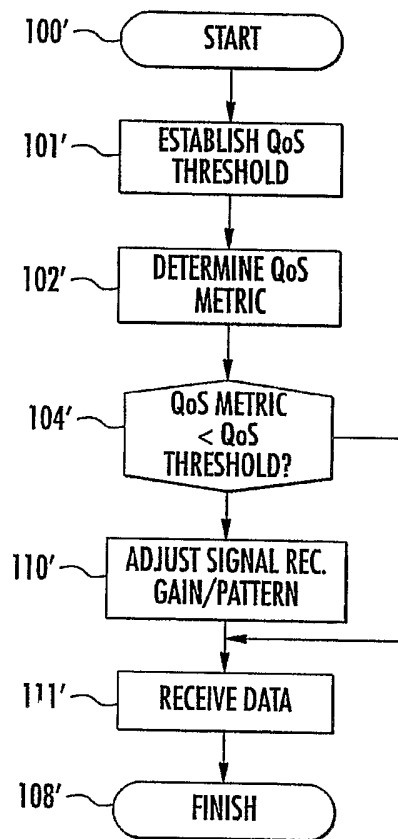


FIG. 11

INTERNATIONAL SEARCH REPORT

International application No.

PCT/US04/28419

A. CLASSIFICATION OF SUBJECT MATTER

IPC(7) : H04Q 7/20; H04L 12/28
 US CL : 370/338, 469, 477

According to International Patent Classification (IPC) or to both national classification and IPC

B. FIELDS SEARCHED

Minimum documentation searched (classification system followed by classification symbols)

U.S. : Please See Continuation Sheet

Documentation searched other than minimum documentation to the extent that such documents are included in the fields searched
 BRS (EAST): US-PGPUB, USPAT; EPO; JPO; DERWENT)

Electronic data base consulted during the international search (name of data base and, where practicable, search terms used)
 IEEEExplore

C. DOCUMENTS CONSIDERED TO BE RELEVANT

Category *	Citation of document, with indication, where appropriate, of the relevant passages	Relevant to claim No.
A	US 2003/0161268 A1 (LARSSON et al) 28 August 2003 (28.08.2003), entire document.	1-10
A	US 2002/0173271 A1 (BLAIR et al) 21 November 2002 (21.11.2002), entire document	1-10
A, P	US 2004/0023652 A1 (SHAH et al) 05 February 2004 (05.02.2004), entire document	1-10
A, P	US 6,728,215 B1 (ALPEROVICH et al) 27 April 2004 (27.04.2004), entire document	1-10
A, P	US 2004/0146007 A1 (SAADAWI et al) 29 July 2004 (29.07.2004), entire document	1-10
A, E	US 2004/0170127 A1 (TANAKA) 02 September 2004 (02.09.2004), entire document	1-10
A, E	US 6,813,272 B1 (AN et al) 02 November 2004 (02.11.2004), entire document	1-10
A	XIAO et al, A Flexible Quality of Service Model for Mobile AD-HOC Networks, IEEE, 2000, pages 445-449, entire document	1-10
A	CHIANG et al, Admission Control, Power Control and QoS Analyses for AD HOC Wireless Networks, IEEE, 2001, pages 245-249, entire document.	1-10

Further documents are listed in the continuation of Box C.

See patent family annex.

* Special categories of cited documents:		
"A" document defining the general state of the art which is not considered to be of particular relevance	"T"	later document published after the international filing date or priority date and not in conflict with the application but cited to understand the principle or theory underlying the invention
"E" earlier application or patent published on or after the international filing date	"X"	document of particular relevance; the claimed invention cannot be considered novel or cannot be considered to involve an inventive step when the document is taken alone
"L" document which may throw doubts on priority claim(s) or which is cited to establish the publication date of another citation or other special reason (as specified)	"Y"	document of particular relevance; the claimed invention cannot be considered to involve an inventive step when the document is combined with one or more other such documents, such combination being obvious to a person skilled in the art
"O" document referring to an oral disclosure, use, exhibition or other means	"&"	document member of the same patent family
"P" document published prior to the international filing date but later than the priority date claimed		

Date of the actual completion of the international search

19 November 2004 (19.11.2004)

Date of mailing of the international search report

17 DEC 2004

Name and mailing address of the ISA/US

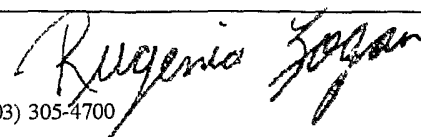
Mail Stop PCT, Attn: ISA/US
 Commissioner for Patents
 P.O. Box 1450
 Alexandria, Virginia 22313-1450

Facsimile No. (703) 305-3230

Authorized officer

Ahmed Elallam

Telephone No. (703) 305-4700



INTERNATIONAL SEARCH REPORT

International application No.
PCT/US04/28419

C. (Continuation) DOCUMENTS CONSIDERED TO BE RELEVANT

Category *	Citation of document, with indication, where appropriate, of the relevant passages	Relevant to claim No.
A	DONG et al, Effective Admission Control in Multihop Mobile AD HOC Networks, Communication Technology Proceedings, International Conference, 9-11 April 2003, Vol.2, pages 1291-1294, see entire document	1-10
A	LABIOD et al, QoS-ASR: An Adaptive Source Routing Protocol with QoS support in Multihop Mobile Wireless Networks, IEEE, 24-28 September 2002, vol.4, pages 1978-1982, see entire document	1-10

INTERNATIONAL SEARCH REPORT

International application No.

PCT/US04/28419

Continuation of B. FIELDS SEARCHED Item 1:

370/338, 469, 477, 229, 230.1, 232, 235-238, 255, 278, 282, 312, 315, 322, 328, 332, 335-337, 342-345, 347-349, 389, 390;
455/403, 445