



US00D739019S

(12) **United States Design Patent**
Chen et al.

(10) **Patent No.:** **US D739,019 S**

(45) **Date of Patent:** **** Sep. 15, 2015**

(54) **TATTOO MACHINE TUBE**

OTHER PUBLICATIONS

(76) Inventors: **Michael Chen**, Irvine, CA (US); **Wen Wei**, San Ramon, CA (US); **Billy Chen**, Irvine, CA (US)

Big Mag Tubes by ProTattoo, website dated 2010-2015. found online Mar. 14, 2014. http://protattooandmedicalsupply.com/product_info.php?products_id=1120.*

(**) Term: **14 Years**

Large Flat Magnum by Love and Peace. dated 2015. found online Mar. 14, 2015. <http://www.lopeace.com/largeflatmagnumstainlesssteeltattootubegrip13ft15ft17-p-1378.html>.*

(21) Appl. No.: **29/429,974**

Wrath Vortex Super Mag Tubes by TatSoul. website dated 2015. found online Mar. 14, 2015. http://www.tatsoul.com/supplies/tattoo-tubes-tips-grips-c-291/wrath-tubes-c-291_305/wrath-super-mags-c-291_305_568/wrath-vortex-super-mag-tubes-magnum-23-125-p-4534?zenid=e72ca2241f3a8ff31479866cbb2f3c48.*

(22) Filed: **Aug. 20, 2012**

(51) **LOC (10) Cl.** **24-02**

(52) **U.S. Cl.**

USPC **D24/147**

(58) **Field of Classification Search**

USPC D24/127, 133, 140, 144, 145, 146, 147;
606/167, 184, 185, 186; D8/8, 303;
D19/174, 199

CPC A61B 1/05; A61B 1/07; A61B 17/1671;
A61B 17/1617

See application file for complete search history.

* cited by examiner

Primary Examiner — Robert M Spear

Assistant Examiner — Marissa J Cash

(74) *Attorney, Agent, or Firm* — QuickPatents; Kevin Prince

(56) **References Cited**

(57) **CLAIM**

We claim the ornamental design for a tattoo machine tube, as shown and described.

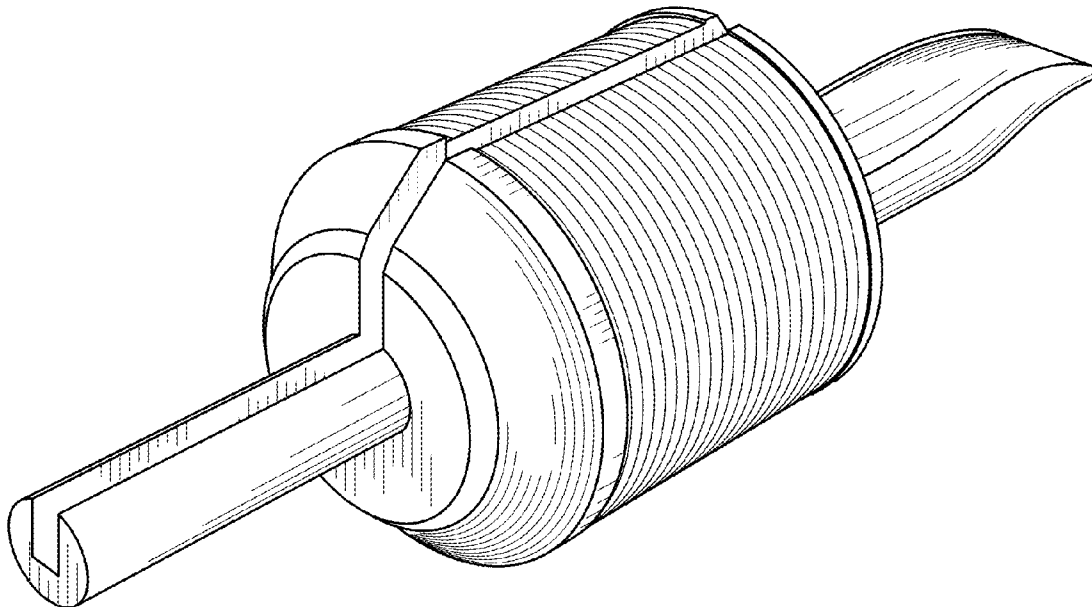
U.S. PATENT DOCUMENTS

DESCRIPTION

D320,922	S	*	10/1991	Lurkis	D8/303
D332,563	S	*	1/1993	Lurkis	D8/303
D429,990	S	*	8/2000	Kunkler	D8/303
6,550,356	B1	*	4/2003	Underwood	81/9.22
D512,457	S	*	12/2005	Anand	D19/48
8,228,666	B2	*	7/2012	Rickard	361/679.01
D691,263	S	*	10/2013	Chen et al.	D24/144
D723,685	S	*	3/2015	Myers	D24/144
2002/0083798	A1	*	7/2002	Godoy et al.	81/9.22
2010/0154597	A1	*	6/2010	South	81/9.22
2012/0209307	A1	*	8/2012	Snijders	606/186
2012/0265232	A1	*	10/2012	Surbone	606/186
2014/0025099	A1	*	1/2014	Morrison	606/186

FIG. 1 is a rear perspective view of a tattoo machine tube, showing our new design;
FIG. 2 is a rear elevational view thereof;
FIG. 3 is a front elevational view thereof;
FIG. 4 is a top plan view thereof;
FIG. 5 is a bottom plan view thereof; and,
FIG. 6 is a right-side elevational view thereof, the left-side elevational view being a mirror image thereof.

1 Claim, 2 Drawing Sheets



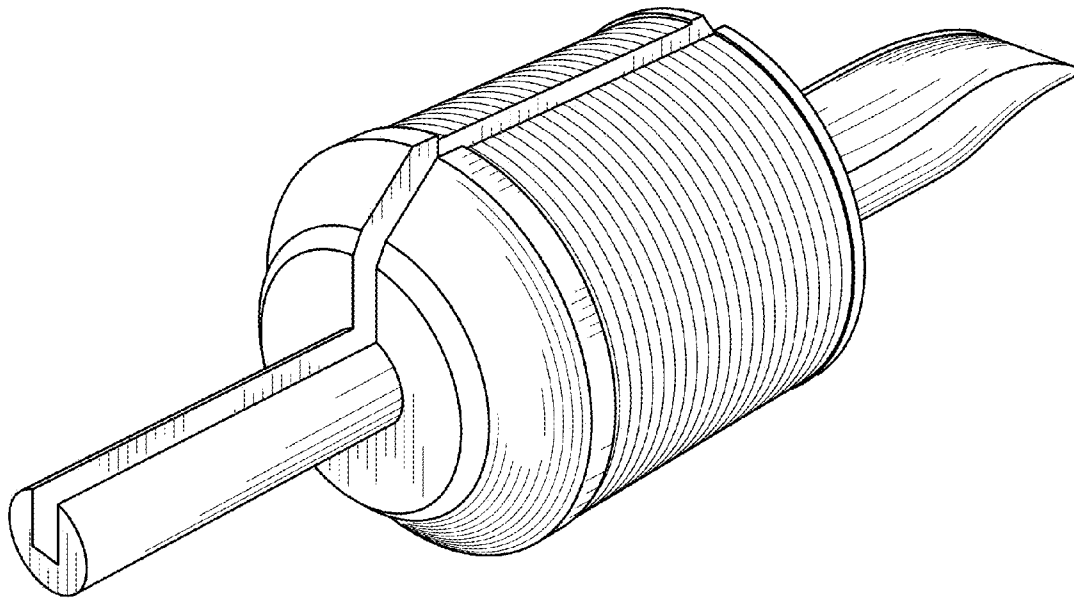


FIG. 1

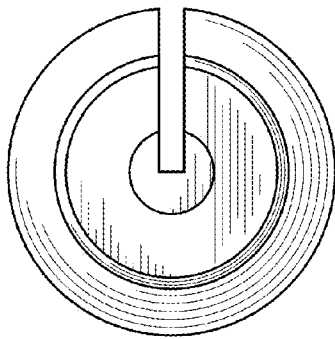


FIG. 2

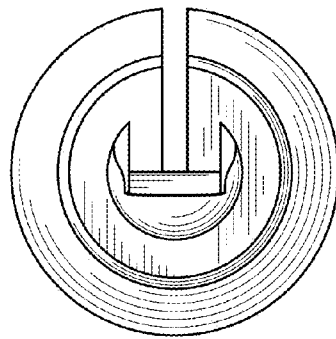


FIG. 3

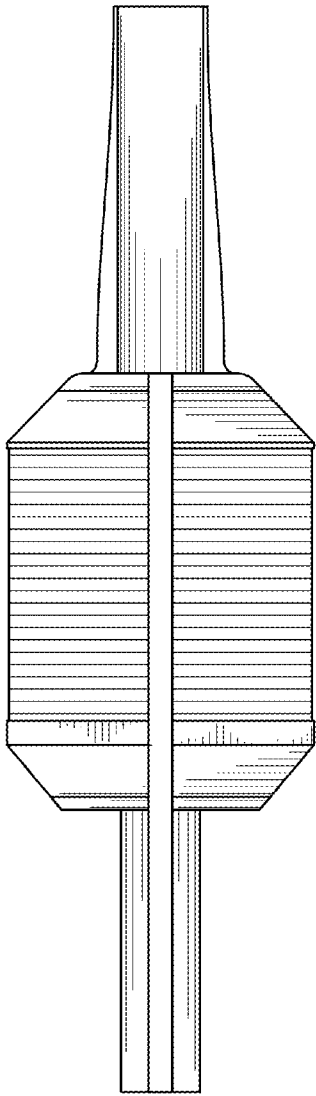


FIG. 4

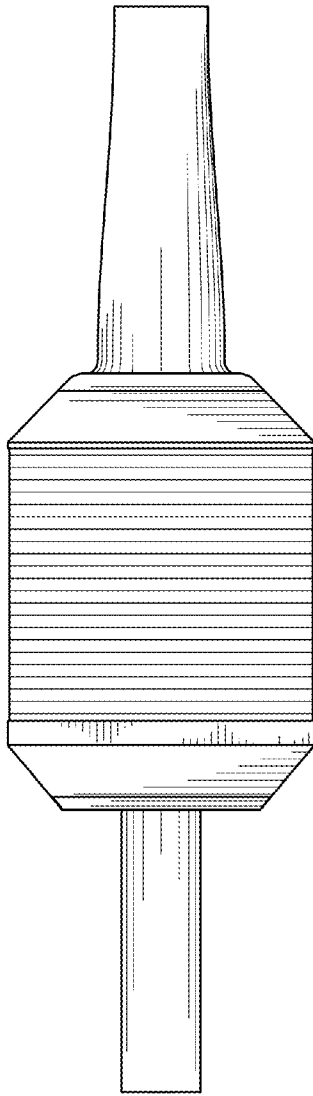


FIG. 5

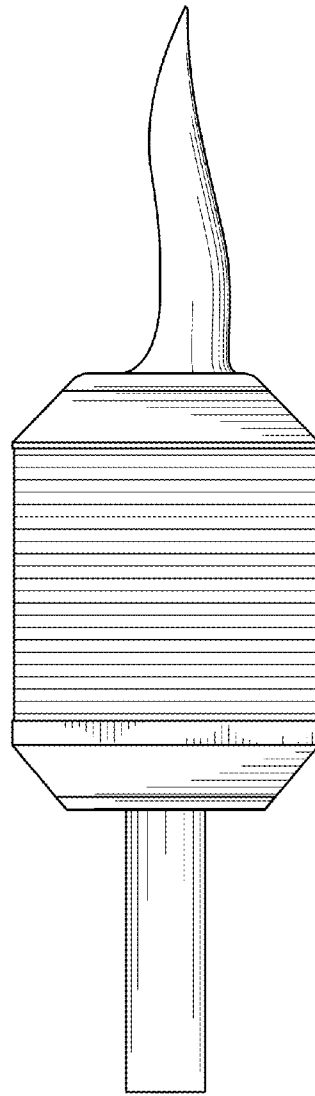


FIG. 6