

(19) World Intellectual Property
Organization
International Bureau



(43) International Publication Date
3 February 2005 (03.02.2005)

PCT

(10) International Publication Number
WO 2005/009282 A3

(51) International Patent Classification⁷: A61B 17/08

(21) International Application Number:
PCT/US2004/022939

(22) International Filing Date: 16 July 2004 (16.07.2004)

(25) Filing Language: English

(26) Publication Language: English

(30) Priority Data:
10/626,783 24 July 2003 (24.07.2003) US

(71) Applicant: CLOZEX MEDICAL, LLC [US/US]; 16
Laural Avenue, Suite 200, Wellesley, MA 02481-7530
(US).

(72) Inventor: LEBNER, Michael; 66 Maugus Avenue,
Wellesley Hills, MA 02481 (US).

(74) Agent: FARRELL, Kevin, M.; Pierce Atwood, Suite 350,
One New Hampshire Avenue, Portsmouth,, New Hamp-
shire 03801 (US).

(81) Designated States (unless otherwise indicated, for every
kind of national protection available): AE, AG, AL, AM,
AT, AU, AZ, BA, BB, BG, BR, BW, BY, BZ, CA, CH, CN,

CO, CR, CU, CZ, DE, DK, DM, DZ, EC, EE, EG, ES, FI,
GB, GD, GE, GH, GM, HR, HU, ID, IL, IN, IS, JP, KE,
KG, KP, KR, KZ, LC, LK, LR, LS, LT, LU, LV, MA, MD,
MG, MK, MN, MW, MX, MZ, NA, NI, NO, NZ, OM, PG,
PH, PL, PT, RO, RU, SC, SD, SE, SG, SK, SL, SY, TJ, TM,
TN, TR, TT, TZ, UA, UG, US, UZ, VC, VN, YU, ZA, ZM,
ZW.

(84) Designated States (unless otherwise indicated, for every
kind of regional protection available): ARIPO (BW, GH,
GM, KE, LS, MW, MZ, NA, SD, SL, SZ, TZ, UG, ZM,
ZW), Eurasian (AM, AZ, BY, KG, KZ, MD, RU, TJ, TM),
European (AT, BE, BG, CH, CY, CZ, DE, DK, EE, ES, FI,
FR, GB, GR, HU, IE, IT, LU, MC, NL, PL, PT, RO, SE, SI,
SK, TR), OAPI (BF, BJ, CF, CG, CI, CM, GA, GN, GQ,
GW, ML, MR, NE, SN, TD, TG).

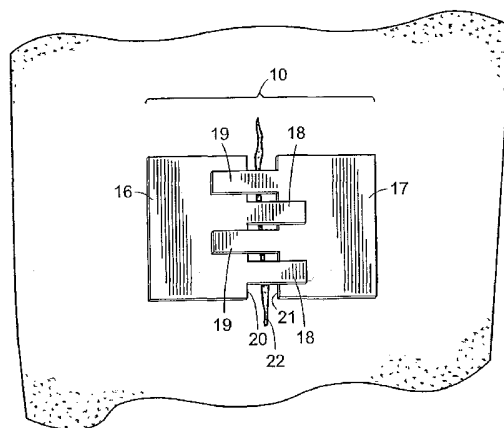
Published:

- with international search report
- before the expiration of the time limit for amending the
claims and to be republished in the event of receipt of
amendments

(88) Date of publication of the international search report:
15 December 2005

[Continued on next page]

(54) Title: DEVICE FOR LACERATION OR INCISION CLOSURE



(57) Abstract: Disclosed is a two-component device for closing a laceration or incision. The device includes a first component comprising a first adhesive-backed anchoring member and one or more first connecting members extending from one edge thereof in a first direction. Also included is a second component comprising a second adhesive-backed anchoring member and one or more second connecting members extending from one edge thereof in a second direction generally opposite to the first direction. Means for attaching the one or more first connecting members to the second anchoring member and means for attaching the one or more second connecting members to the first anchoring member is also provided. The attachment of the connecting members to the anchoring members forms attached and bridging portions of the one or more connecting members, the attached portions being attached to an anchoring member, and the bridging portions spanning the over-laceration area between the first and second anchoring members. The average width of the bridging portions disclosed is less than the average width of the attached portions. The narrowing of the bridging portions increases the exposure of the area over the laceration as well as increases the range of adjustment of the device. Methods of use are also disclosed.

WO 2005/009282 A3



For two-letter codes and other abbreviations, refer to the "Guidance Notes on Codes and Abbreviations" appearing at the beginning of each regular issue of the PCT Gazette.

INTERNATIONAL SEARCH REPORT

International application No.

PCT/US04/22939

A. CLASSIFICATION OF SUBJECT MATTER

IPC(7) : A61B 17/08
 US CL : 606/213,215

According to International Patent Classification (IPC) or to both national classification and IPC

B. FIELDS SEARCHED

Minimum documentation searched (classification system followed by classification symbols)
 U.S. : 606/213,215

Documentation searched other than minimum documentation to the extent that such documents are included in the fields searched

Electronic data base consulted during the international search (name of data base and, where practicable, search terms used)
 EAST: search terms: adhesive, code, color, indicia

C. DOCUMENTS CONSIDERED TO BE RELEVANT

Category *	Citation of document, with indication, where appropriate, of the relevant passages	Relevant to claim No.
X --- Y	US 6,329,564 B1 (Lebner) 11 December 2001 (11.12.2001), entire document	1-3,5,9-11,16,19-21,23,27-29,34 ----- 4,6-8,12-15,18,22,24-26,30-33,36
X Y	US 5,263,970 A (Preller) 23 November 1993 (23.11.1993), entire document US 5,979,450 A (Baker et al.) 9 November 1999 (09.11.1999), column 8, lines 45-49 and column 10, lines 5-10	1-3,10,11,17,19-21,28,29,35 4,6-8,12-15,18,22,24-26,30-33, and 36

Further documents are listed in the continuation of Box C.

See patent family annex.

* Special categories of cited documents:

"A" document defining the general state of the art which is not considered to be of particular relevance

"E" earlier application or patent published on or after the international filing date

"L" document which may throw doubts on priority claim(s) or which is cited to establish the publication date of another citation or other special reason (as specified)

"O" document referring to an oral disclosure, use, exhibition or other means

"P" document published prior to the international filing date but later than the priority date claimed

"T"

later document published after the international filing date or priority date and not in conflict with the application but cited to understand the principle or theory underlying the invention

"X"

document of particular relevance; the claimed invention cannot be considered novel or cannot be considered to involve an inventive step when the document is taken alone

"Y"

document of particular relevance; the claimed invention cannot be considered to involve an inventive step when the document is combined with one or more other such documents, such combination being obvious to a person skilled in the art

"&"

document member of the same patent family

Date of the actual completion of the international search

29 August 2005 (29.08.2005)

Date of mailing of the international search report

13 OCT 2005

Name and mailing address of the ISA/US

Mail Stop PCT, Attn: ISA/US
 Commissioner for Patents
 P.O. Box 1450
 Alexandria, Virginia 22313-1450

Facsimile No. (703) 305-3230

Authorized officer

FOR:
 Sarah K. Webb

Telephone No. (571) 272-4706


 MONICA A. GRAVES