



US00D855172S

(12) **United States Design Patent**
Holmes

(10) **Patent No.:** **US D855,172 S**

(45) **Date of Patent:** **** Jul. 30, 2019**

- (54) **CEILING FAN MOTOR HOUSING**
- (71) Applicant: **HUNTER FAN COMPANY,**
Memphis, TN (US)
- (72) Inventor: **Christine Holmes,** Memphis, TN (US)
- (73) Assignee: **Hunter Fan Company,** Memphis, TN
(US)
- (**) Term: **15 Years**
- (21) Appl. No.: **29/614,094**
- (22) Filed: **Aug. 16, 2017**
- (51) **LOC (11) Cl.** **23-03**
- (52) **U.S. Cl.**
USPC **D23/411**
- (58) **Field of Classification Search**
USPC D23/377, 379, 385, 411-414, 351, 352,
D23/354, 370, 371, 373-375, 381,
D23/386-389, 393; D26/59, 88, 89
CPC F04D 25/088; F04D 29/38; F04D 29/384;
F04D 29/386; F21V 33/0096
See application file for complete search history.

- D609,799 S * 2/2010 Lee D23/377
- D627,874 S 11/2010 Pan
- D628,688 S * 12/2010 Pan D23/377
- D632,384 S 2/2011 Pan
- D633,644 S * 3/2011 Sprengers D26/89
(Continued)

OTHER PUBLICATIONS

http://www.montecarlofanlights.com/lighting/7-449-621-0-495322/Monte-Carlo-Fans_Vision-Max-56-Ceiling-Fan-with-Light-Kit-3VISMALX.htm, Item Specification for Monte Carlo 3VISMALX 36in Vision Max Ceiling Fan with Light Kit, accessed on Oct. 26, 2016.

(Continued)

Primary Examiner — Cathron C Brooks
Assistant Examiner — Sharon S Oum
(74) *Attorney, Agent, or Firm* — McGarry Bair PC

(57) **CLAIM**

The ornamental design for a ceiling fan motor housing, as shown and described.

DESCRIPTION

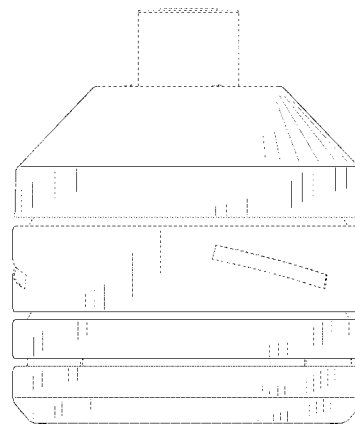
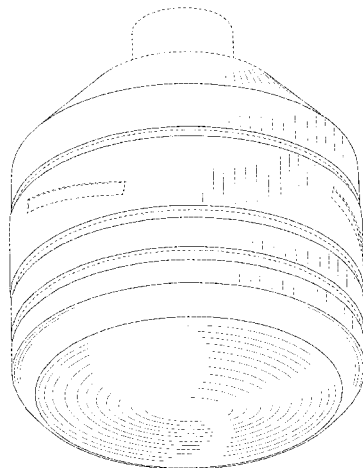
FIG. 1 is a top perspective view of a ceiling fan motor housing in the environment of a ceiling fan; FIG. 2 is a bottom perspective view thereof, but shown without the ceiling fan environment; FIG. 3 is a bottom view thereof; FIG. 4 is a top view thereof; FIG. 5 is a left side view thereof; FIG. 6 is a right side view thereof; FIG. 7 is a front view thereof; and, FIG. 8 is a rear view thereof. The broken lines showing a ceiling fan illustrate the environment of the ceiling fan motor housing and form no part of the claimed design. The remaining broken lines, showing portions of the ceiling fan motor housing, form no part of the claimed design.

1 Claim, 8 Drawing Sheets

(56) **References Cited**

U.S. PATENT DOCUMENTS

D290,748 S	7/1987	Kawai	
D297,974 S	10/1988	Sonneman	
D314,618 S *	2/1991	Yen	D23/377
D328,491 S	8/1992	Markwardt	
D328,785 S	8/1992	Markwardt	
D333,867 S	3/1993	Markwardt	
D344,129 S	2/1994	Markwardt	
D345,790 S *	4/1994	Caldwell	D23/377
D357,978 S	5/1995	Young	D23/377
D453,216 S *	1/2002	Gajewski	D23/377
D544,979 S *	6/2007	Hartmann, Jr.	D26/74
D547,436 S *	7/2007	Shurtleff	D23/411
D561,374 S *	2/2008	Hartmann, Jr.	D26/74
D565,230 S *	3/2008	Hetfield	D26/72
D584,810 S	1/2009	Pickett	
D595,004 S *	6/2009	Pan	D26/59



(56)

References Cited

U.S. PATENT DOCUMENTS

D639,497	S *	6/2011	Ogawa	D26/120
D694,463	S *	11/2013	Sieczkowski	D26/124
D704,819	S	5/2014	Wang	
D706,406	S	6/2014	Wang	
D706,919	S	6/2014	Wang	
D706,970	S	6/2014	Wang	
D707,336	S	6/2014	Pan	
D707,344	S	6/2014	Wang	
D708,315	S *	7/2014	Wang	D23/377
D743,079	S *	11/2015	Adair	D26/67
D744,081	S	11/2015	Wang	
D744,082	S	11/2015	Wang	
D744,634	S *	12/2015	Wang	D23/411
D751,187	S *	3/2016	Dolan	D23/377
D759,799	S *	6/2016	Wang	D23/385
D771,794	S *	11/2016	Wang	D23/411
D771,860	S *	11/2016	Weiss	D26/110
D772,393	S *	11/2016	Wang	D23/377
D774,175	S *	12/2016	Wang	D23/385
D782,644	S *	3/2017	Wang	D23/377
D783,797	S	4/2017	Badarello et al.	
D788,283	S	5/2017	Busta	
D788,286	S	5/2017	Busta	
D795,411	S *	8/2017	Wang	D23/377
D799,665	S *	10/2017	Wang	D23/377
D801,515	S *	10/2017	Wang	D23/411
D804,630	S *	12/2017	Holmes	D23/377
D805,625	S *	12/2017	Haggar	D23/377
D810,270	S *	2/2018	Wang	D23/411
D810,917	S *	2/2018	Holmes	D23/377
D826,394	S *	8/2018	Biancuzzo	D23/411
D838,357	S *	1/2019	Haggar	D23/411
2005/0249598	A1	11/2005	Young	
2018/0128277	A1 *	5/2018	Chia	F04D 25/088

OTHER PUBLICATIONS

<http://www.minkagroup.net/all-collections?keys=F531-L-BN>, Item Specification for Minka Aire Flyte F531-L-BN Ceiling Fan, accessed on Oct. 26, 2016.

<https://www.lightingdirect.com/fanimation-zonix-led-54-3-blade-fansync-compatible-ceiling-fan-blades-led-light-kit-and-remote-control-included/p2444160>, Item Specification for Fanimation FP4650BN Brushed Nickel 54in Ceiling Fan, accessed on Oct. 26, 2016.

<http://www.kichler.com/products/product/arkwright-ceiling-fan-obb-3001460bb.aspx>, Item Specification for Kichler 300146PN Ceiling Fan, accessed on Oct. 26, 2016.

<http://www.craftmade.com/Ellington-Fans-BEL52BNK3CRW-Nickel-Ceiling-Fan.HTM>, Item Specification for Craftmade BEL52BNK3CRW—Beltre Ceiling Fan, accessed on Oct. 26, 2016.

http://www.emersonfanexperts.com/lighting/7-449-621-0-415680/Emerson-Fans_Highrise--50--Ceiling-Fan-CF430BS.htm, Item Specification for Emerson CF430BS Highrise 50in Ceiling Fan, accessed on Oct. 26, 2016.

<http://www.craftmade.com/Ellington-Fans-LAVH44BP4-Flush-Mount-Ceiling-Fan.HTM>, Item Specification for Craftmade LAVH44BP4 Laval Hugger Fan, accessed on Oct. 26, 2016.

<http://www.hunterfan.com/Ceiling-Fans/Signal?ModelNumber=59224>, Item Specification for Hunter Signal 54in Model 59224 Fan, accessed on Oct. 26, 2016.

<http://www.homedepot.com/p/Hampton-Bay-Pilot-60-in-and-52-in-Brushed-Nickel-Ceiling-Fan-34313/202075536>, Item Specification for Hampton Bay Pilot Model 34313 Fan, accessed on Oct. 26, 2016.

<http://www.homedepot.com/p/Hampton-Bay-Marucci-52-in-Brushed-Nickel-Ceiling-Fan-YG464C-BN/206151034>, Item Specification for Hampton Bay Marucci Model YG464C-BN, accessed on Oct. 26, 2016.

* cited by examiner

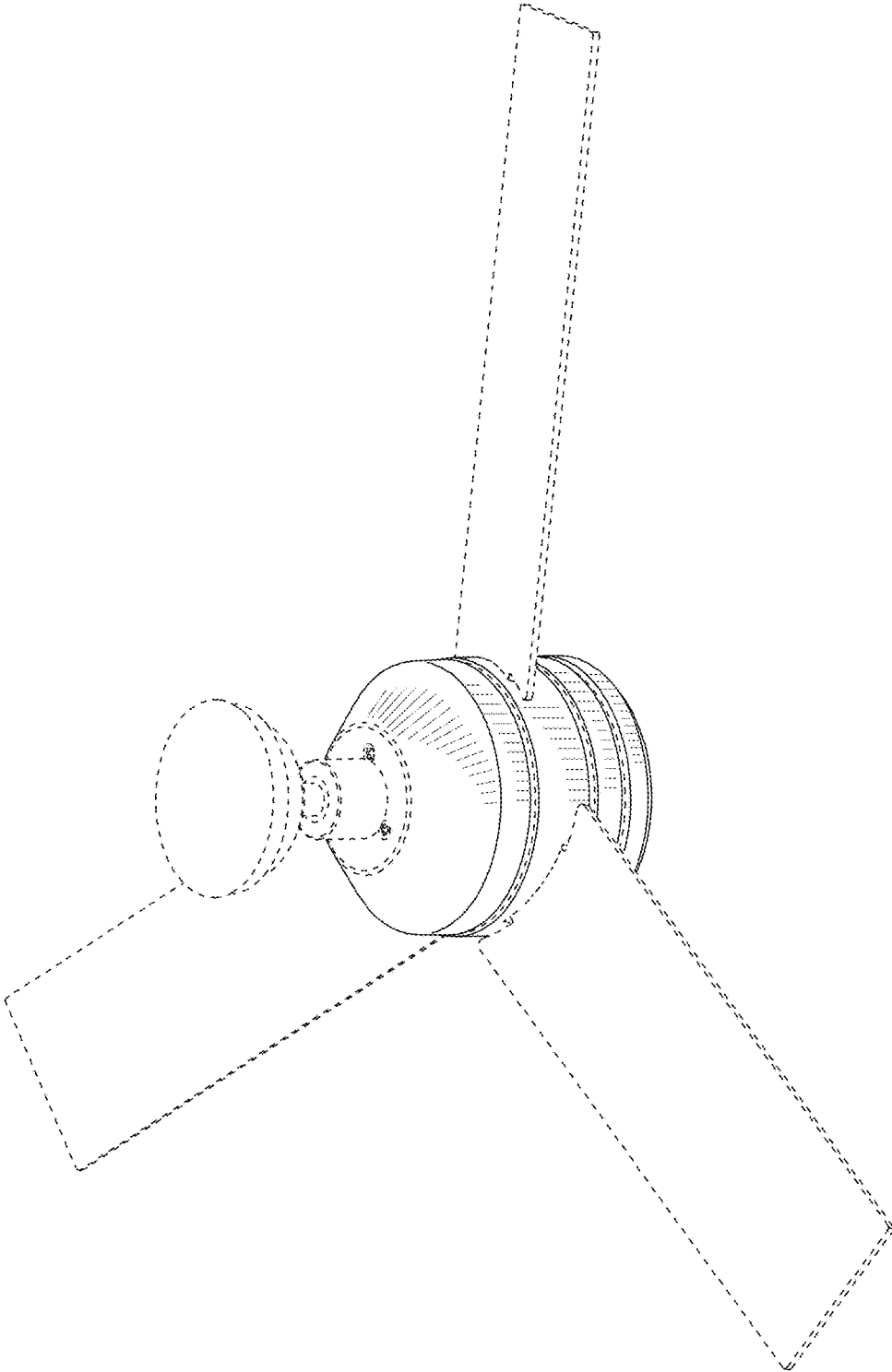


FIG. 1

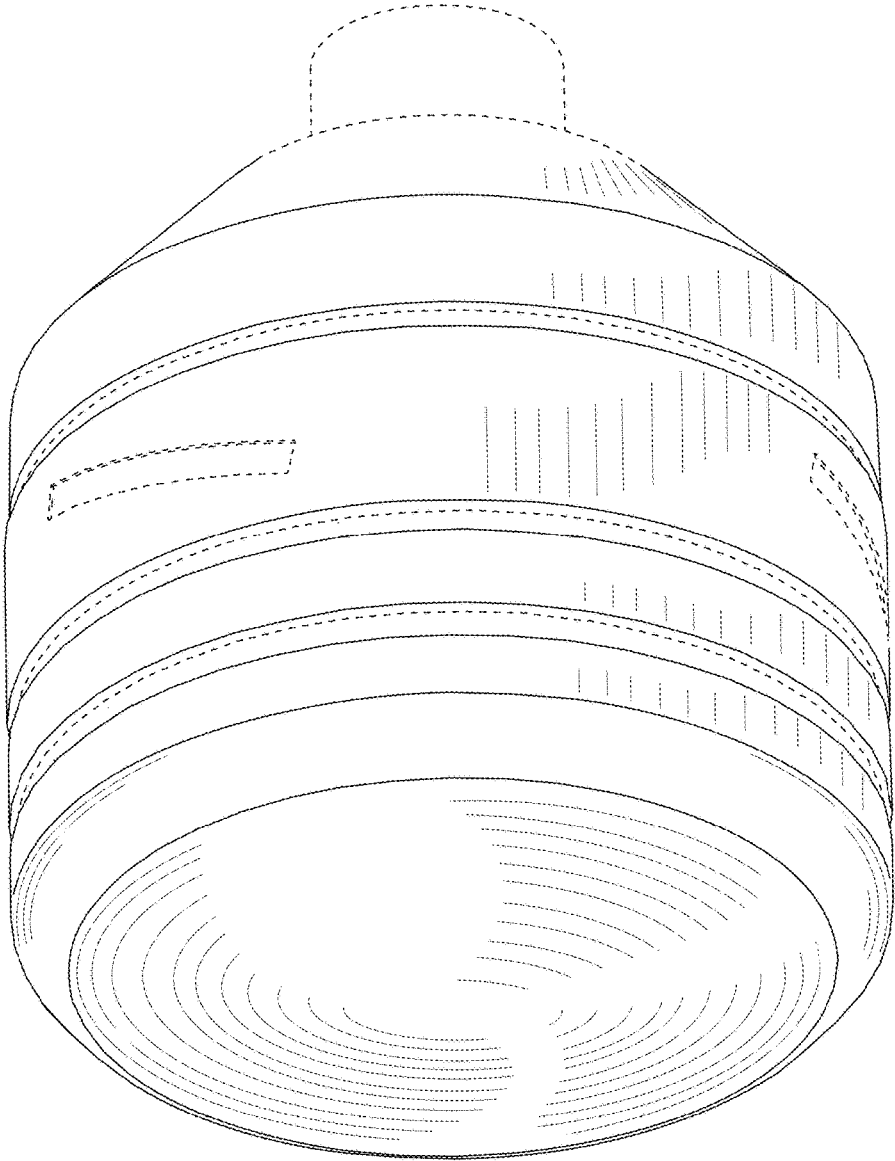


FIG. 2

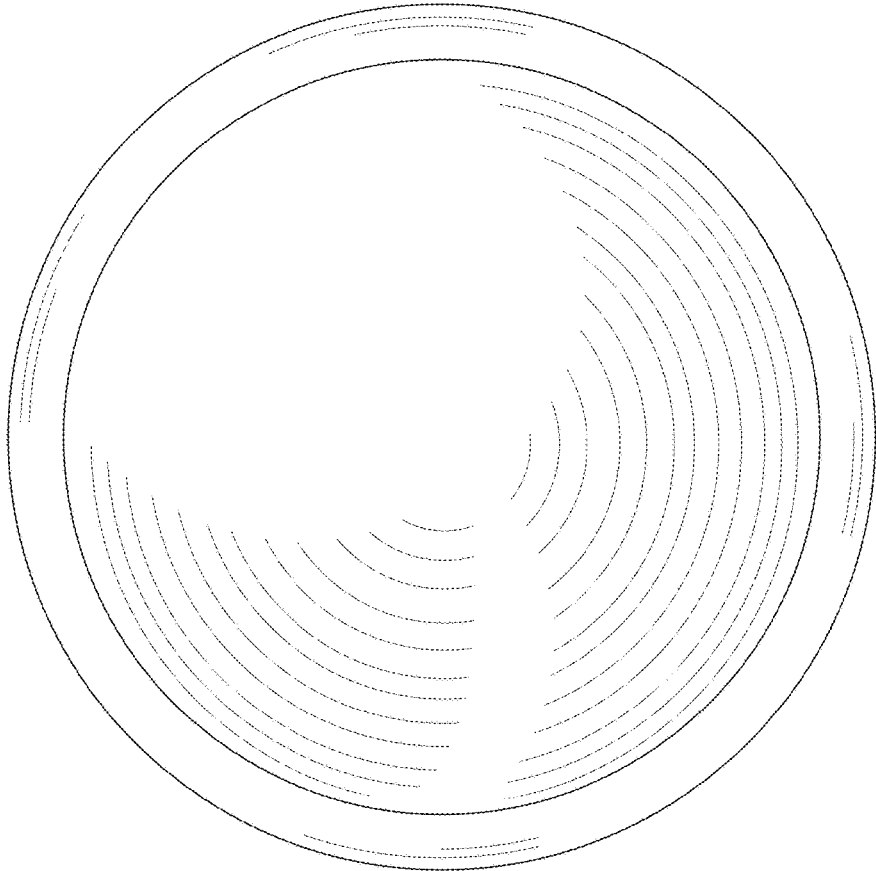


FIG. 3

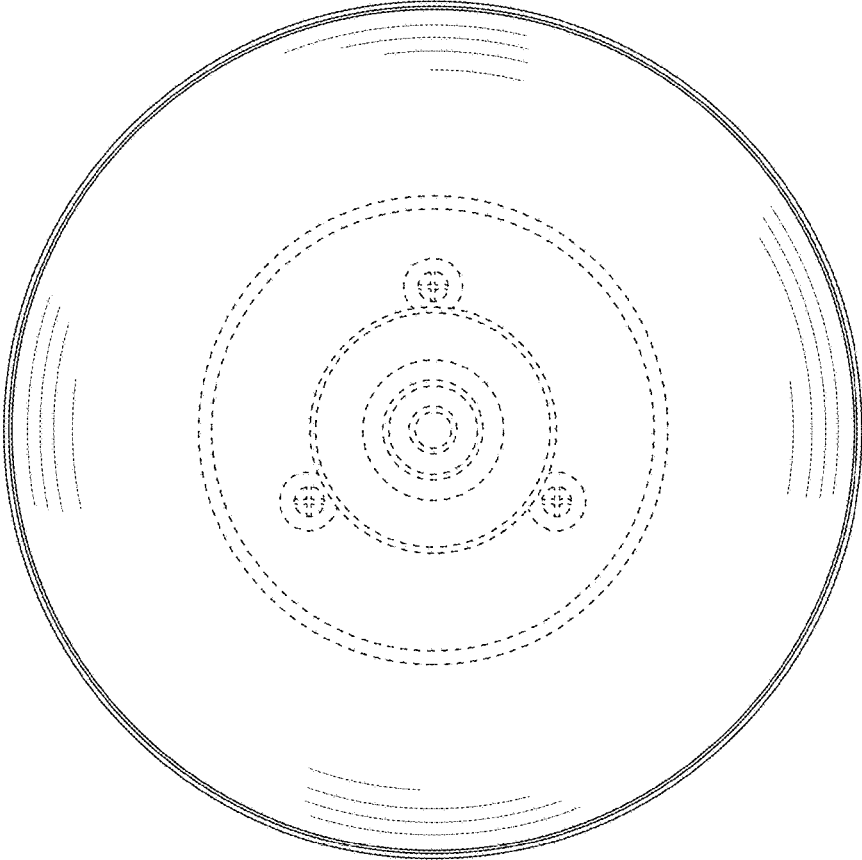


FIG. 4

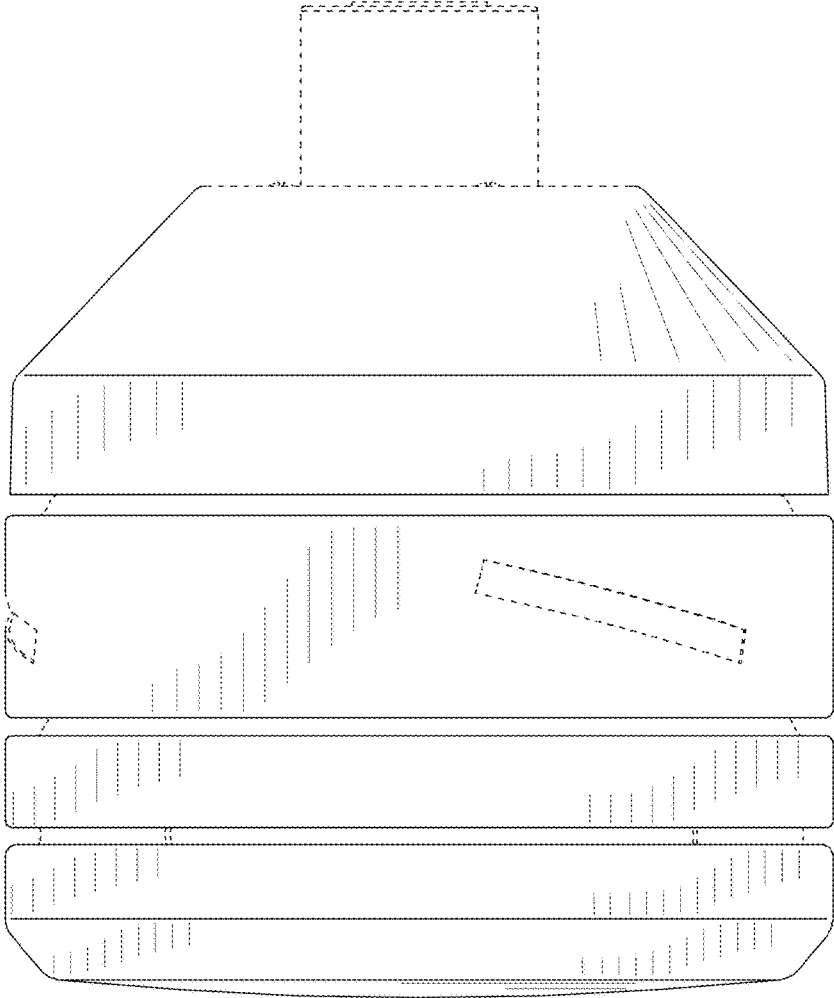


FIG. 5

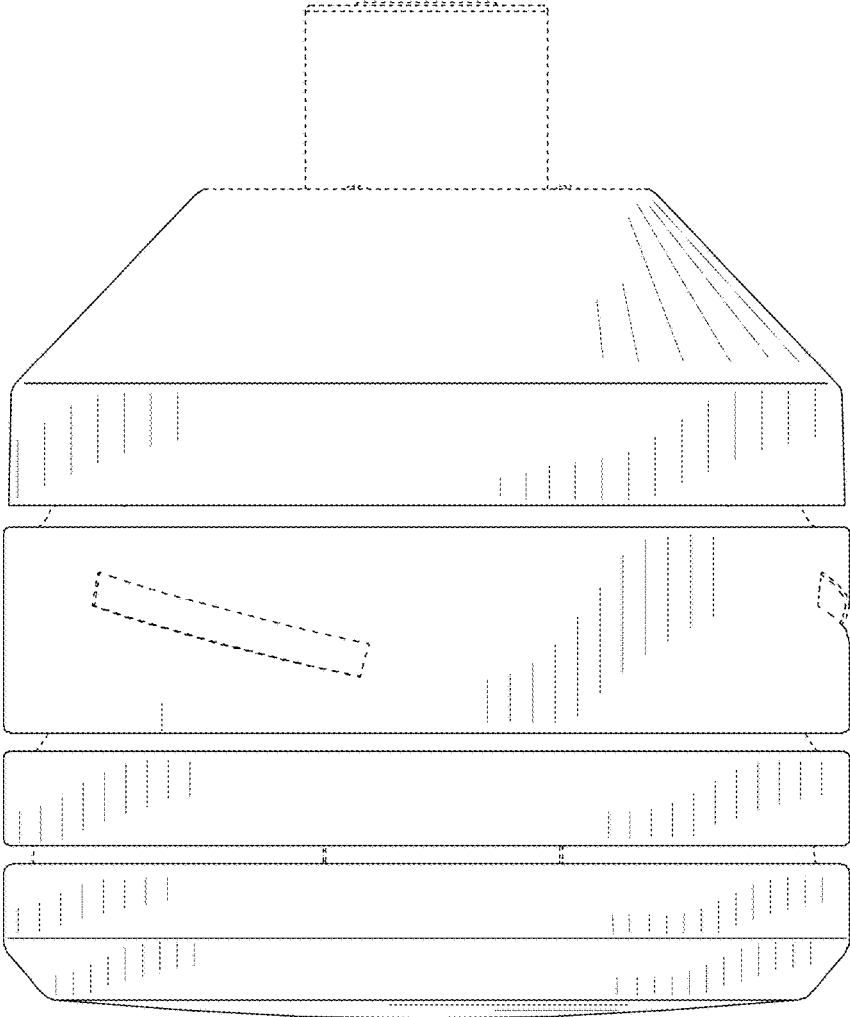


FIG. 6

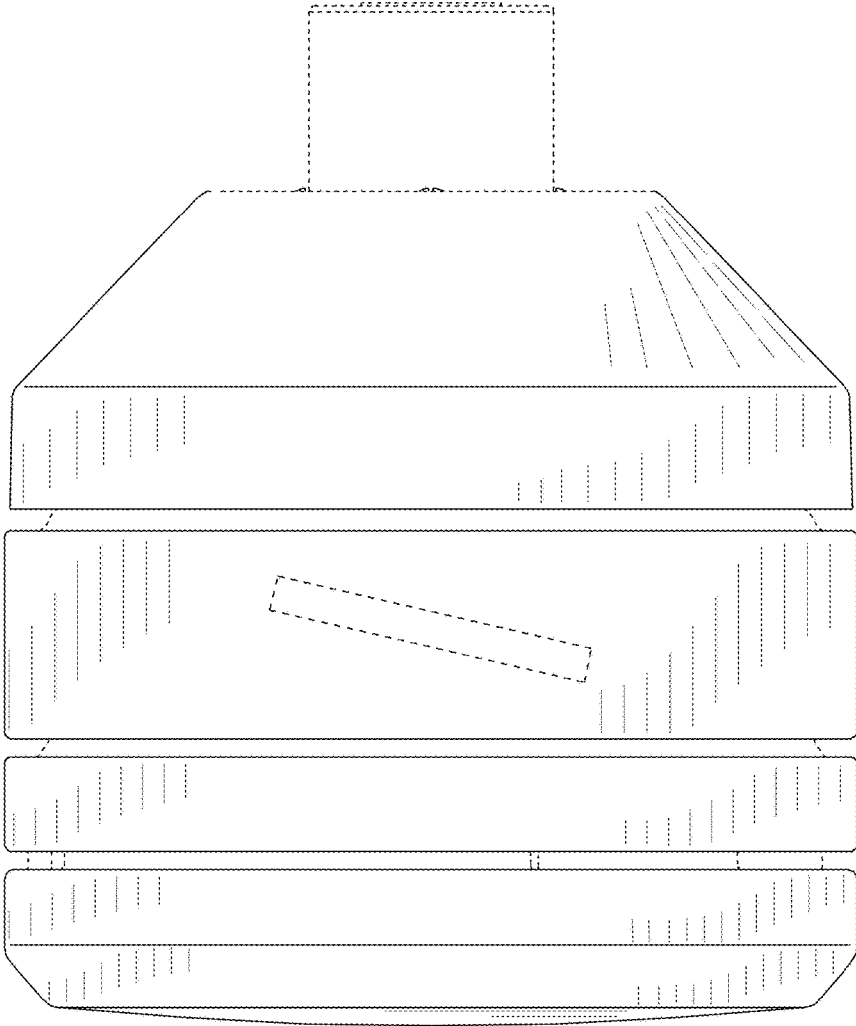


FIG. 7

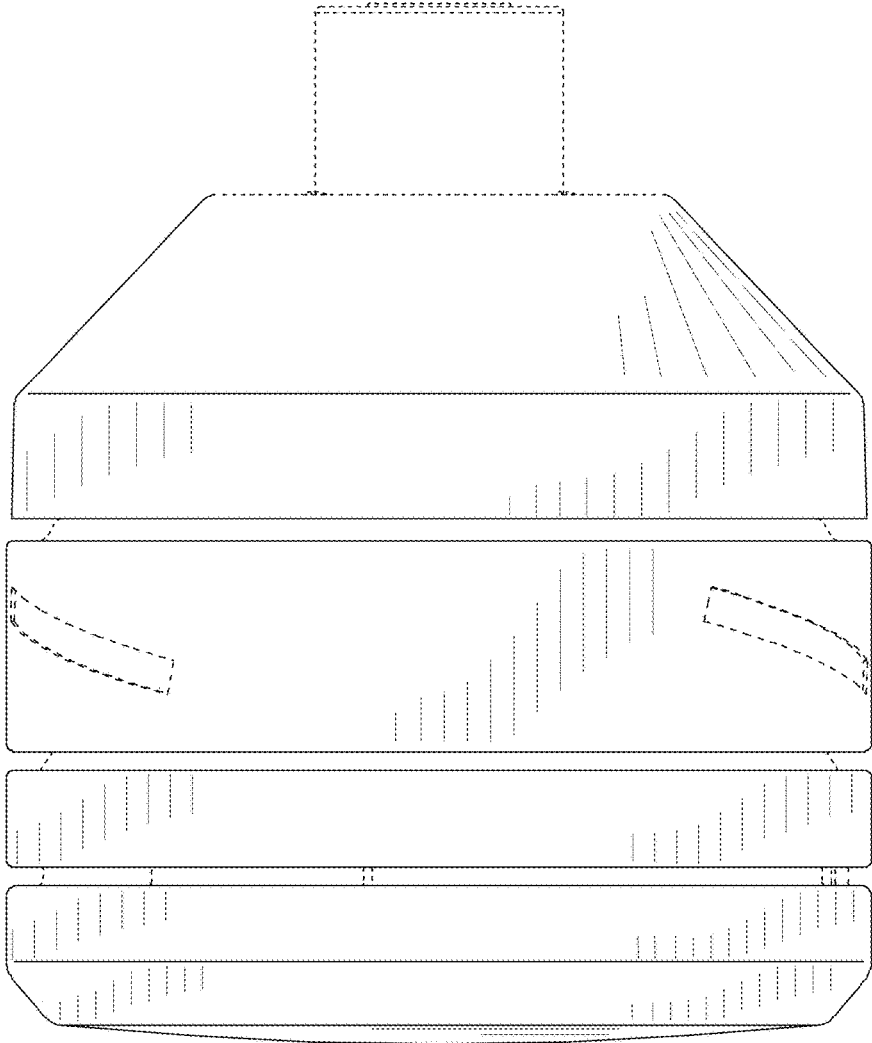


FIG. 8