



US00D666095S

(12) **United States Design Patent**  
**Blachford et al.**

(10) **Patent No.:** **US D666,095 S**

(45) **Date of Patent:** **\*\* Aug. 28, 2012**

(54) **BOTTLE CAP**

(75) Inventors: **Marcus Blachford**, Warwick (GB);  
**Peter Kay**, Warwick (GB)

(73) Assignee: **Reckitt & Colman (Overseas) Limited**,  
Slough, Berkshire (GB)

(\*\*) Term: **14 Years**

(21) Appl. No.: **29/377,833**

(22) Filed: **Oct. 26, 2010**

(30) **Foreign Application Priority Data**

Apr. 29, 2010 (EM) ..... 001702184-0003

(51) **LOC (9) Cl.** ..... **09-07**

(52) **U.S. Cl.** ..... **D9/449**

(58) **Field of Classification Search** ..... D9/454,  
D9/453, 449, 447, 442, 440, 435; D7/392.1;  
222/556, 521, 494, 492; 220/837, 835, 820,  
220/811, 810, 375, 260, 254.7, 254.3; 215/322,  
215/321, 306, 305, 237, 235; 206/540, 539,  
206/538, 216

See application file for complete search history.

(56) **References Cited**

U.S. PATENT DOCUMENTS

D539,144 S *	3/2007	Penfold et al. ....	D9/449
D546,696 S *	7/2007	Penfold et al. ....	D9/529
D551,555 S *	9/2007	Escobosa et al. ....	D9/529
D578,892 S *	10/2008	Bridgman et al. ....	D9/529
D584,148 S *	1/2009	Stolle ..... ..	D9/449
D605,514 S *	12/2009	Weber ..... ..	D9/449
D606,867 S *	12/2009	Fugate et al. ....	D9/529
D635,024 S *	3/2011	Stolle ..... ..	D9/449

\* cited by examiner

*Primary Examiner* — Susan Bennett Hattan  
(74) *Attorney, Agent, or Firm* — Ryan A. Schneider;  
Troutman Sanders LLP

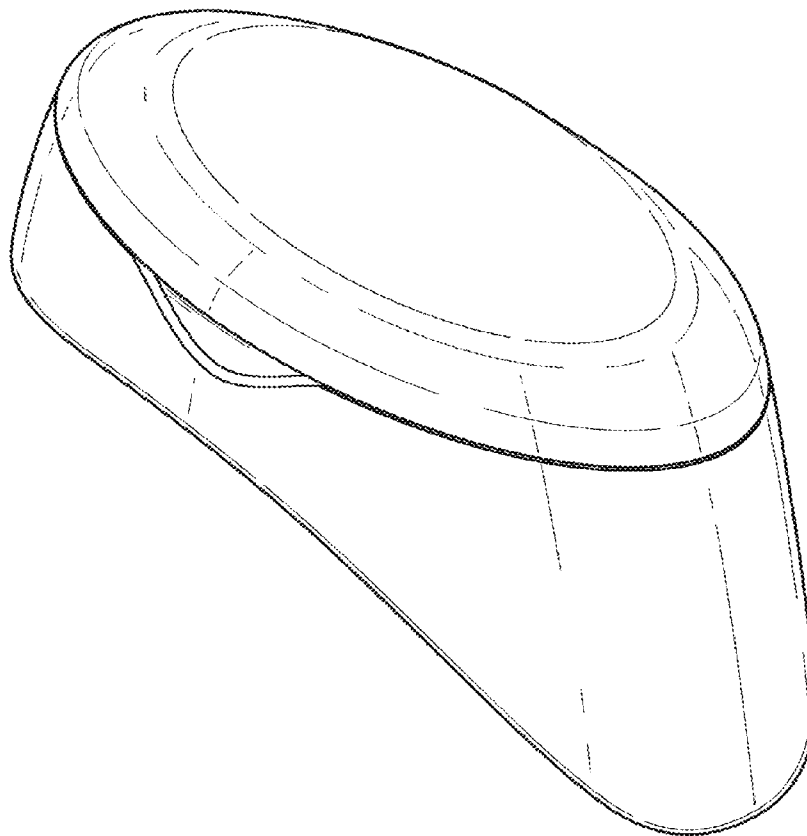
(57) **CLAIM**

The ornamental design for a bottle cap, as shown and described.

**DESCRIPTION**

FIG. 1 is a perspective view of the present invention;  
FIG. 2 is a front view of the present invention;  
FIG. 3 is a back view of the present invention;  
FIG. 4 is a side view of the present invention;  
FIG. 5 is another side view of the present invention; and,  
FIG. 6 is a top view of the present invention.

**1 Claim, 4 Drawing Sheets**



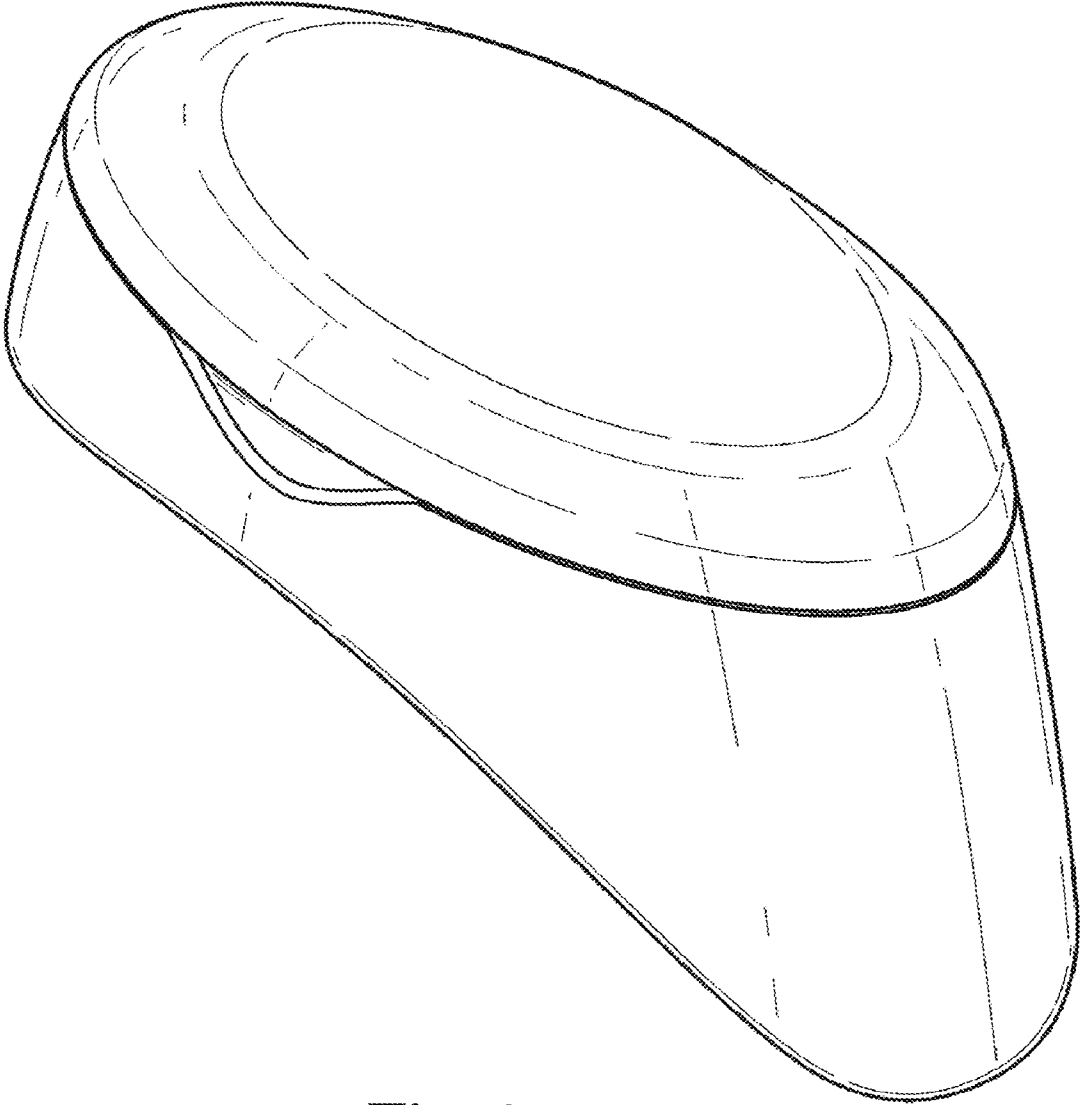


Fig. 1.

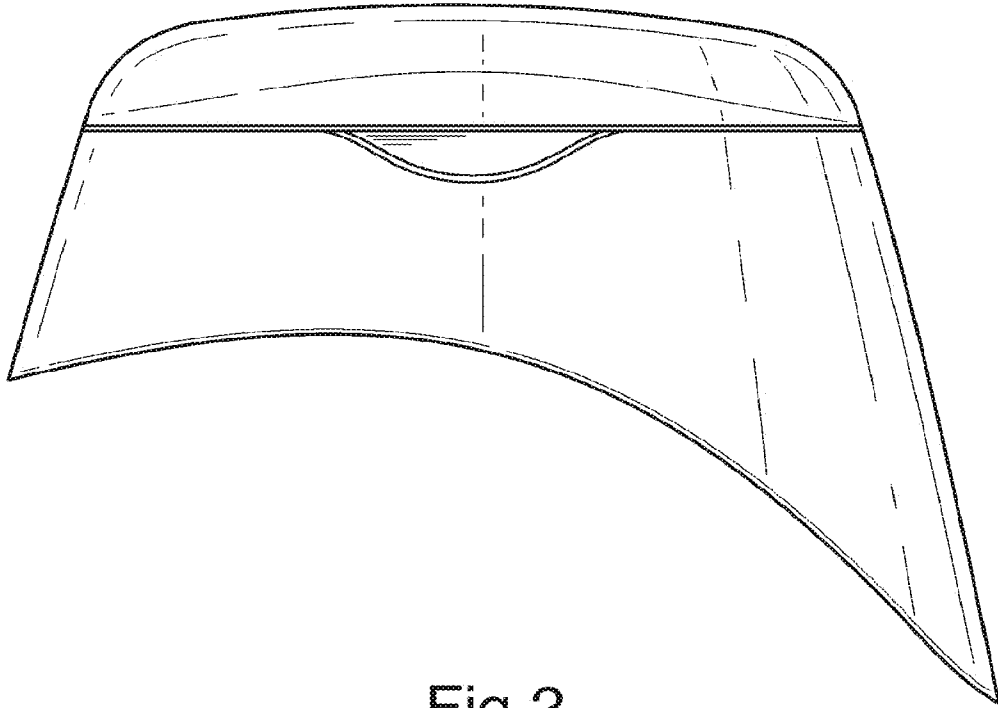


Fig. 2.

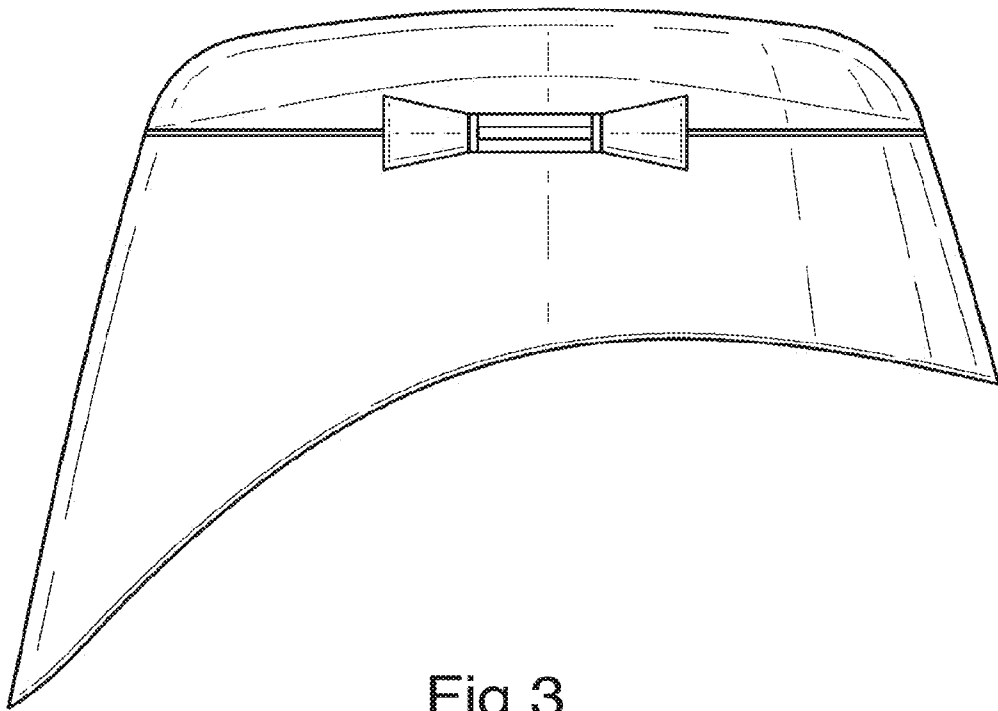


Fig. 3.

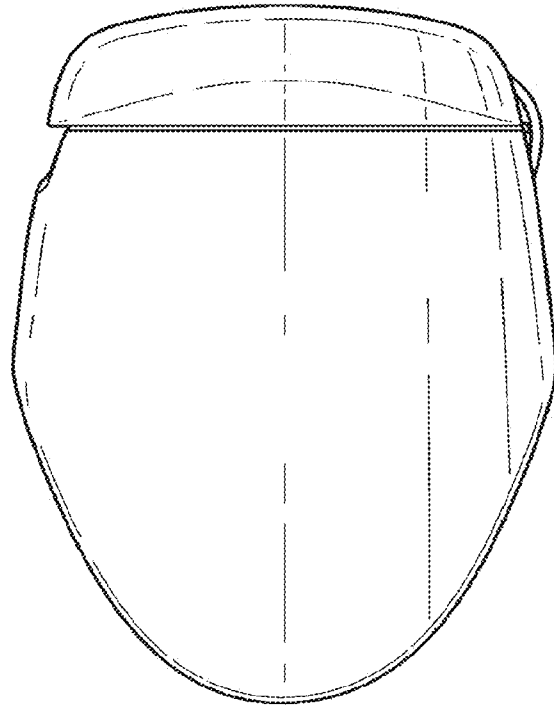


Fig.4.

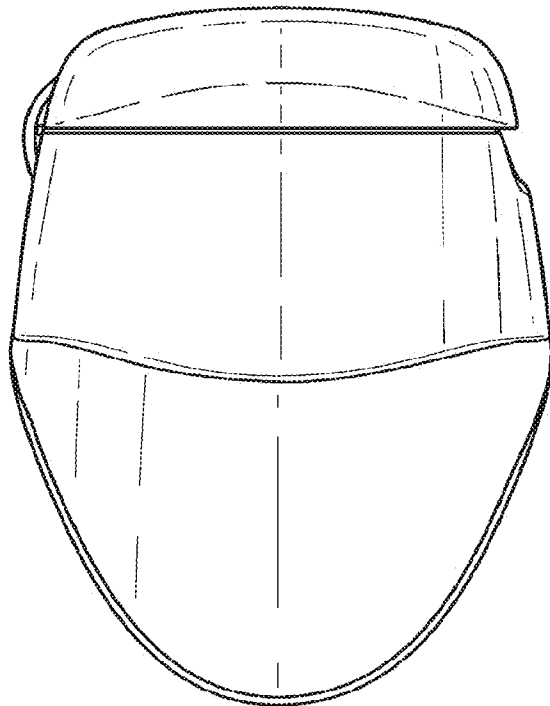


Fig.5.

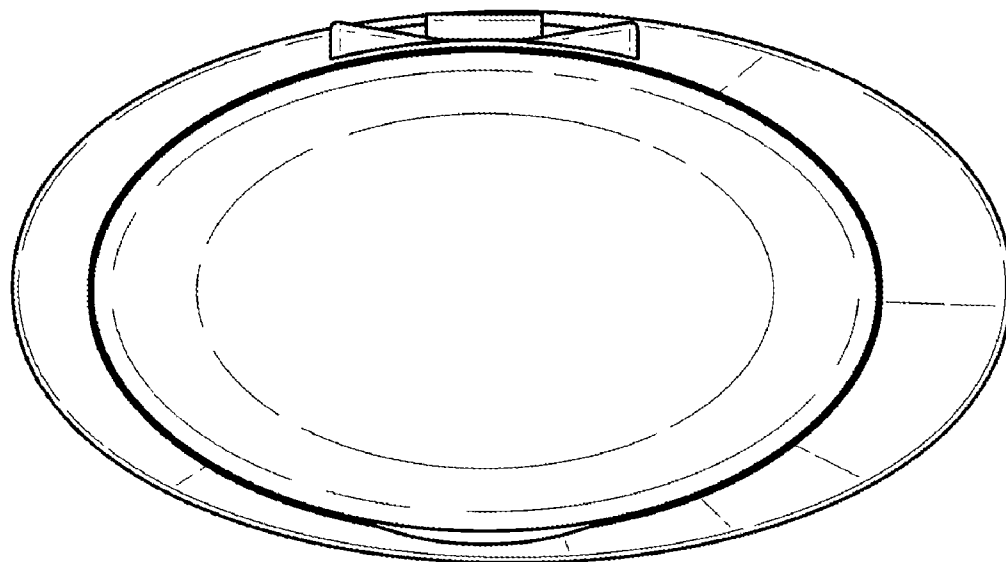


Fig.6.