



US00D737798S

(12) **United States Design Patent**
Yoshimura

(10) **Patent No.:** **US D737,798 S**

(45) **Date of Patent:** **** Sep. 1, 2015**

(54) **HEADPHONE**

(71) Applicant: **JVC Kenwood Corporation**, Kanagawa (JP)

(72) Inventor: **Satoshi Yoshimura**, Kanagawa (JP)

(73) Assignee: **JVC KENWOOD CORPORATION**, Kanagawa (JP)

(**) Term: **14 Years**

(21) Appl. No.: **29/502,887**

(22) Filed: **Sep. 19, 2014**

(30) **Foreign Application Priority Data**

Aug. 5, 2014 (JP) 2014-017007

(51) **LOC (10) CL.** **14-01**

(52) **U.S. CL.**
USPC **D14/205**

(58) **Field of Classification Search**
USPC D14/205; D29/112; 2/209; 181/129,
181/130, 135; 379/430, 431; 381/380, 381,
381/371; 455/90.3, 575.1

CPC H04R 1/1066
See application file for complete search history.

(56) **References Cited**

U.S. PATENT DOCUMENTS

D345,163	S	*	3/1994	Yamatogi	D14/205
D376,598	S	*	12/1996	Hayashi	D14/206
D410,466	S	*	6/1999	Mouri	D14/205
D420,356	S	*	2/2000	Suzuki	D14/205
D442,340	S	*	5/2001	Leight et al.	D29/112
D467,580	S	*	12/2002	Mori	D14/223
6,902,029	B2	*	6/2005	Weise	181/129
D567,215	S	*	4/2008	Lee	D14/205
D584,293	S	*	1/2009	Kim et al.	D14/223
D585,879	S	*	2/2009	Schulman	D14/223

D589,492	S	*	3/2009	Mistry	D14/205
D597,070	S	*	7/2009	Zheng	D14/205
D604,266	S	*	11/2009	Milde et al.	D14/205
7,720,246	B2	*	5/2010	Wang et al.	381/383
D656,491	S	*	3/2012	Nomura	D14/223
D658,630	S	*	5/2012	Gondo	D14/205
D677,647	S	*	3/2013	Lee et al.	D14/205
D683,334	S	*	5/2013	Gondo	D14/223
D686,592	S	*	7/2013	Gondo	D14/205
D690,682	S	*	10/2013	Iacovelli et al.	D14/205
D695,261	S	*	12/2013	Katsumata	D14/205
D698,748	S	*	2/2014	Naitou	D14/205
D699,214	S	*	2/2014	Gondo	D14/205
D703,183	S	*	4/2014	Moriya	D14/206
D713,817	S	*	9/2014	Paterson et al.	D14/205
D717,276	S	*	11/2014	Zhou	D14/205
D717,766	S	*	11/2014	Mchatet	D14/205
D725,074	S	*	3/2015	Boeckel et al.	D14/205
D728,512	S	*	5/2015	Nakagawa	D14/205

* cited by examiner

Primary Examiner — Paula Greene

(74) *Attorney, Agent, or Firm* — Osha Liang LLP

(57) **CLAIM**

The ornamental design for a headphone, as shown and described.

DESCRIPTION

FIG. 1 is a perspective view of front, top and left side of a headphone showing my new design;
FIG. 2 is a front view thereof;
FIG. 3 is a rear view thereof;
FIG. 4 is a left side view thereof;
FIG. 5 is a right side view thereof;
FIG. 6 is a top view thereof; and,
FIG. 7 is a bottom view thereof.

The broken lines shown are included for the purpose of illustrating the unclaimed portions of a headphone and form no part of the claimed design.

1 Claim, 6 Drawing Sheets

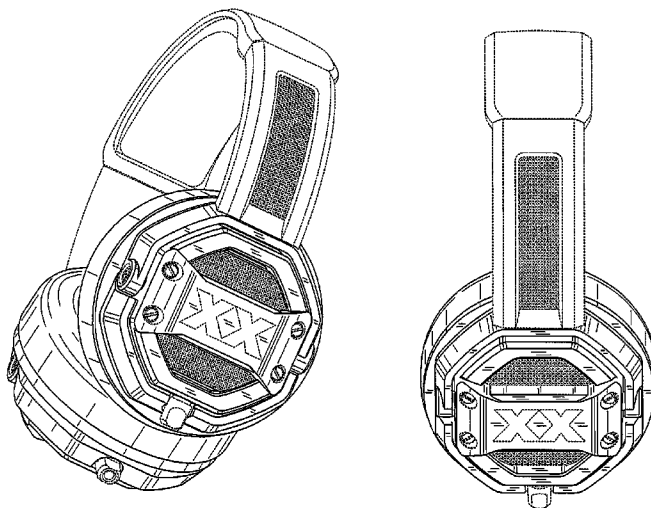


Fig. 1

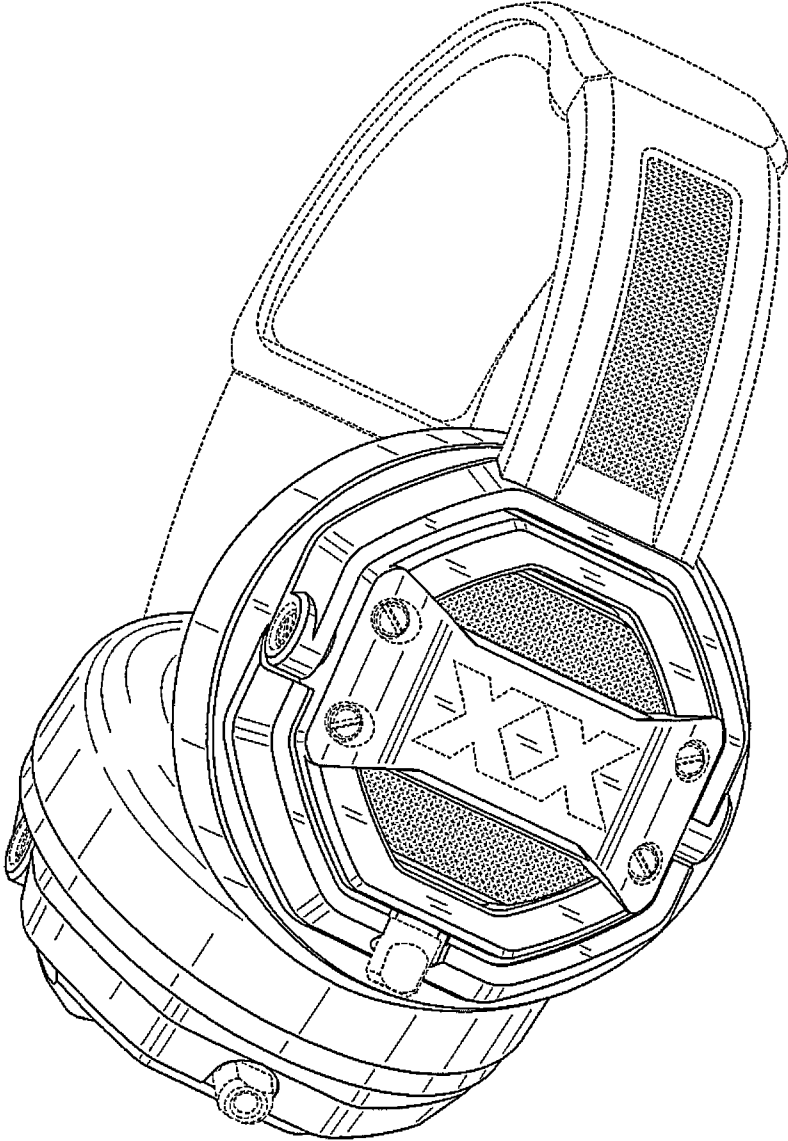


Fig. 2

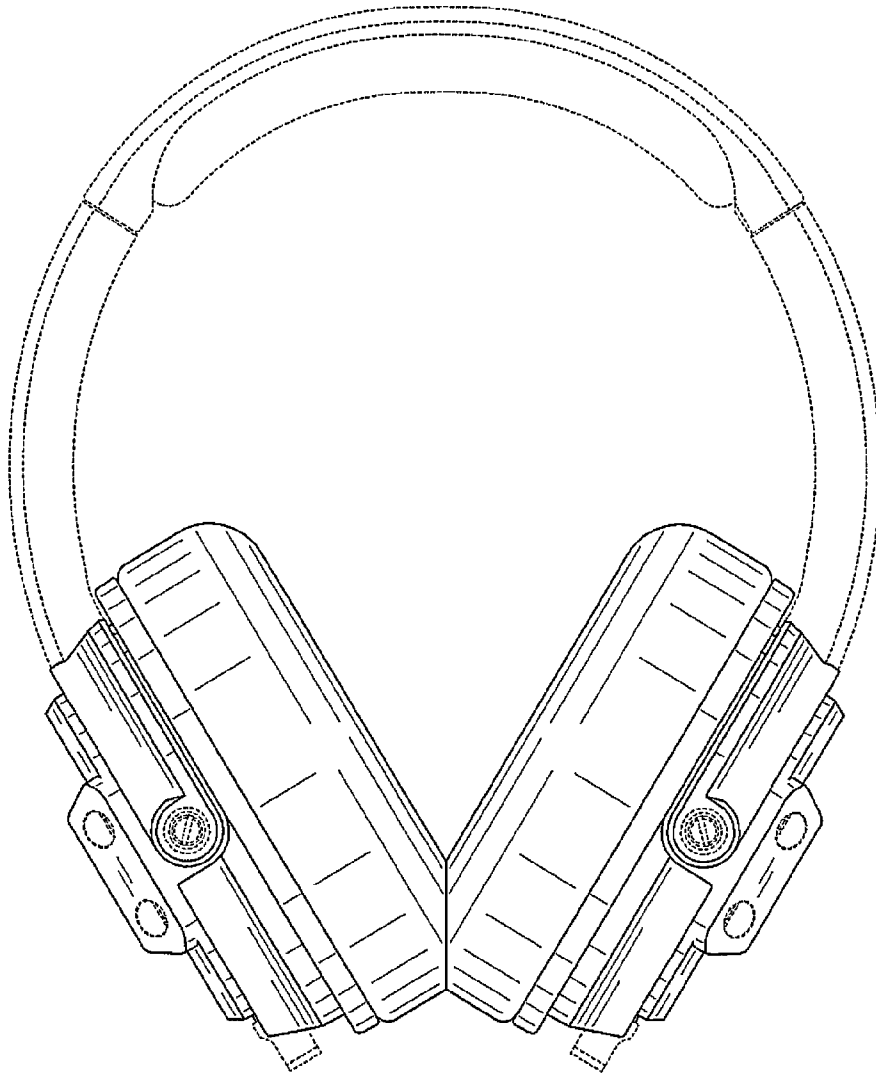


Fig. 3

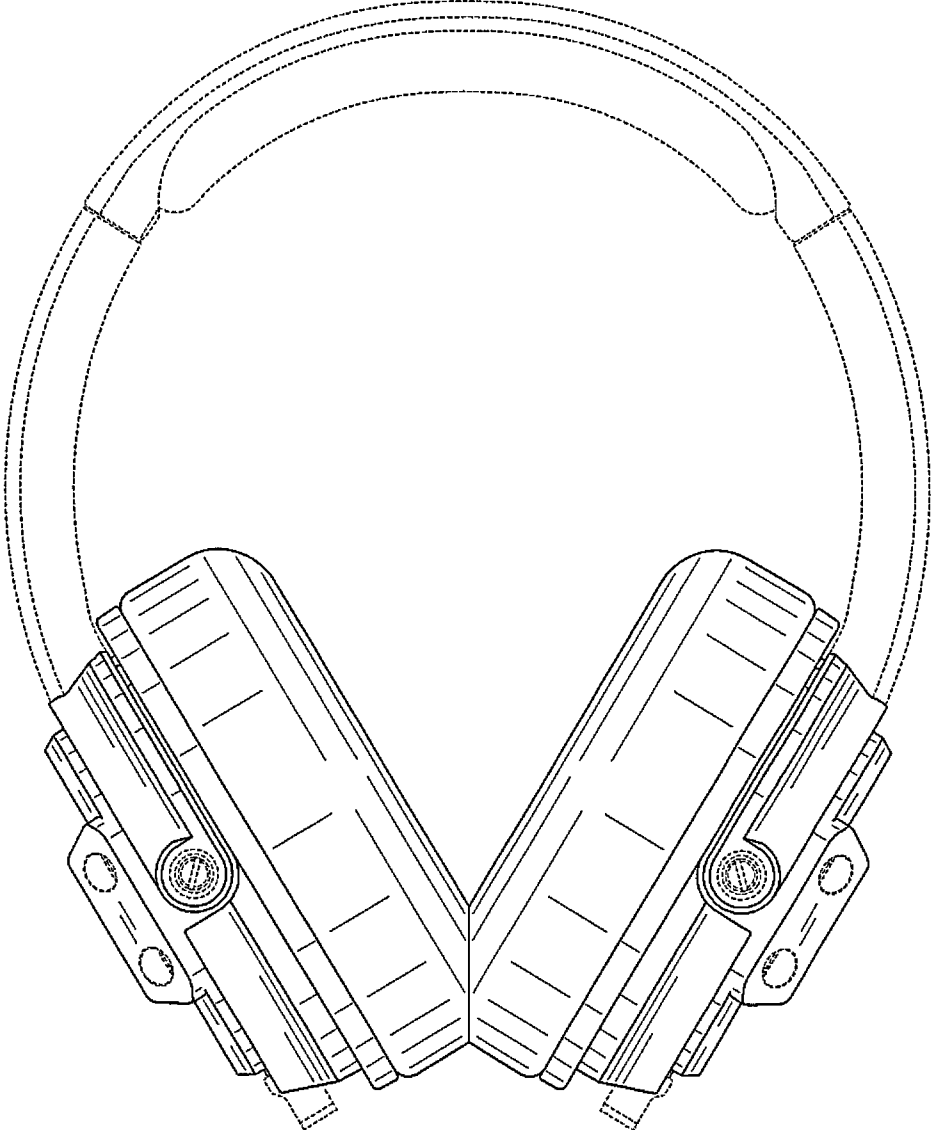


Fig. 4

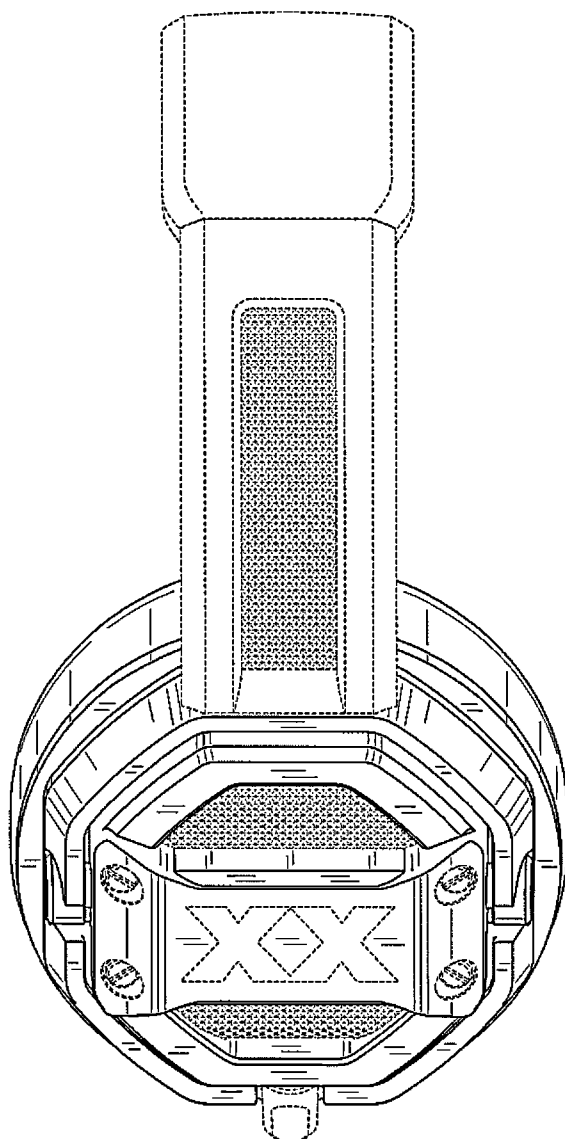


Fig. 5

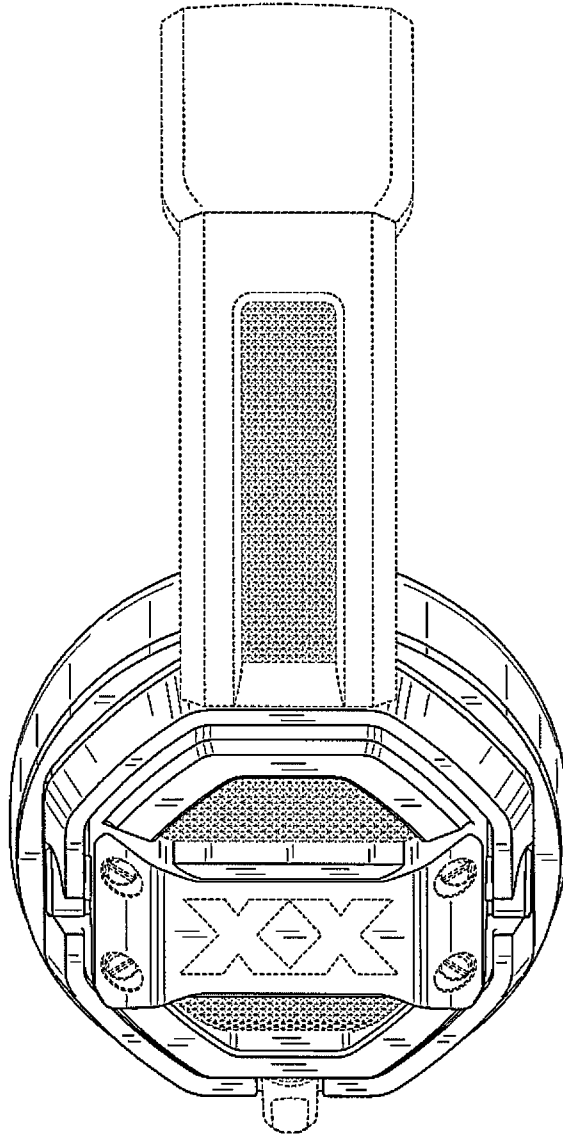


Fig. 6

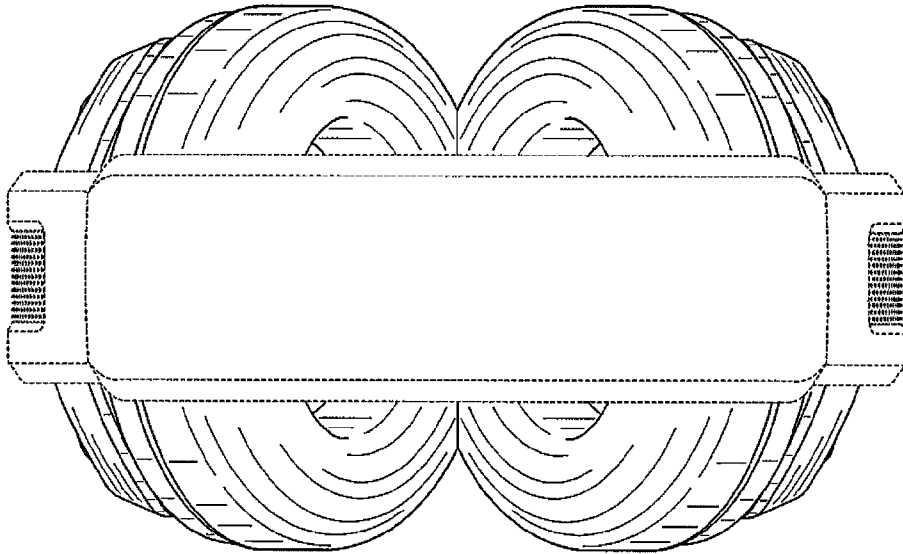


Fig. 7

