



US00D848221S

(12) **United States Design Patent** (10) **Patent No.:** **US D848,221 S**  
**Munie et al.** (45) **Date of Patent:** **\*\* May 14, 2019**

(54) **BACKPACK COOLER**

FOREIGN PATENT DOCUMENTS

(71) Applicant: **YETI Coolers, LLC**, Austin, TX (US)

BE 1015808 A6 9/2005  
CA 2243820 A1 1/2000

(72) Inventors: **Jeffrey Charles Munie**, Austin, TX (US); **Kyle Edward Rogers**, Austin, TX (US); **Donald Edward Desroches**, Austin, TX (US); **John Loudenslager**, Austin, TX (US); **Derek G. Sullivan**, Austin, TX (US); **Alex Baires**, Austin, TX (US)

(Continued)

OTHER PUBLICATIONS

(73) Assignee: **YETI Coolers, LLC**, Austin, TX (US)

Stopper Dry Bag, <http://www.seatosummit.com/products/display/181>, published date unknown, but prior to the filing date of the present application, Sea to Summit, United States.

(Continued)

(\*\*) Term: **15 Years**

*Primary Examiner* — Terry A Wallace

(74) *Attorney, Agent, or Firm* — Banner & Witcoff, Ltd.

(21) Appl. No.: **29/624,144**

(22) Filed: **Oct. 30, 2017**

(57) **CLAIM**

(51) **LOC (11) Cl.** ..... **07-01**

The ornamental design for a backpack cooler, as shown and described.

(52) **U.S. Cl.**

USPC ..... **D7/607**; D3/216

(58) **Field of Classification Search**

USPC ..... D7/605–607, 709, 710; D3/215–217, D3/315, 318, 276, 268, 273, 267, 233, D3/283, 289

CPC ..... B65D 81/3858; B65D 81/3823; B65D 81/3888; B65D 81/3897; B65D 81/38; B65D 30/08; B65D 31/04; B65D 8/14; A45F 3/04; A45F 3/02; A45F 3/16; A45F 3/042; A45F 3/047; A45F 3/00; A45F 3/12; A45F 3/14; A45F 2003/045; A45F 2003/122; A45F 2003/142; A45F 2003/144; A45F 2003/146; A45F 2003/148; A45F 5/00; A45F 5/02; F25D 2331/801; F25D 2331/804

See application file for complete search history.

**DESCRIPTION**

FIG. 1 is a top, front, right perspective view of a backpack cooler showing our new design; FIG. 2 is a front view thereof; FIG. 3 is a rear view thereof; FIG. 4 is a left side view thereof; FIG. 5 is a right side view thereof; FIG. 6 is a top view thereof; FIG. 7 is a bottom view thereof; and, FIG. 8 is a top, back, left perspective view thereof. The even-length broken lines within the shaded area represent unclaimed stitching. The uneven-length broken lines immediately adjacent to the shaded area define the bounds of the claimed design and form no part thereof. The even-length broken lines showing the remainder of the backpack cooler represent unclaimed subject matter and form no part of the claimed design.

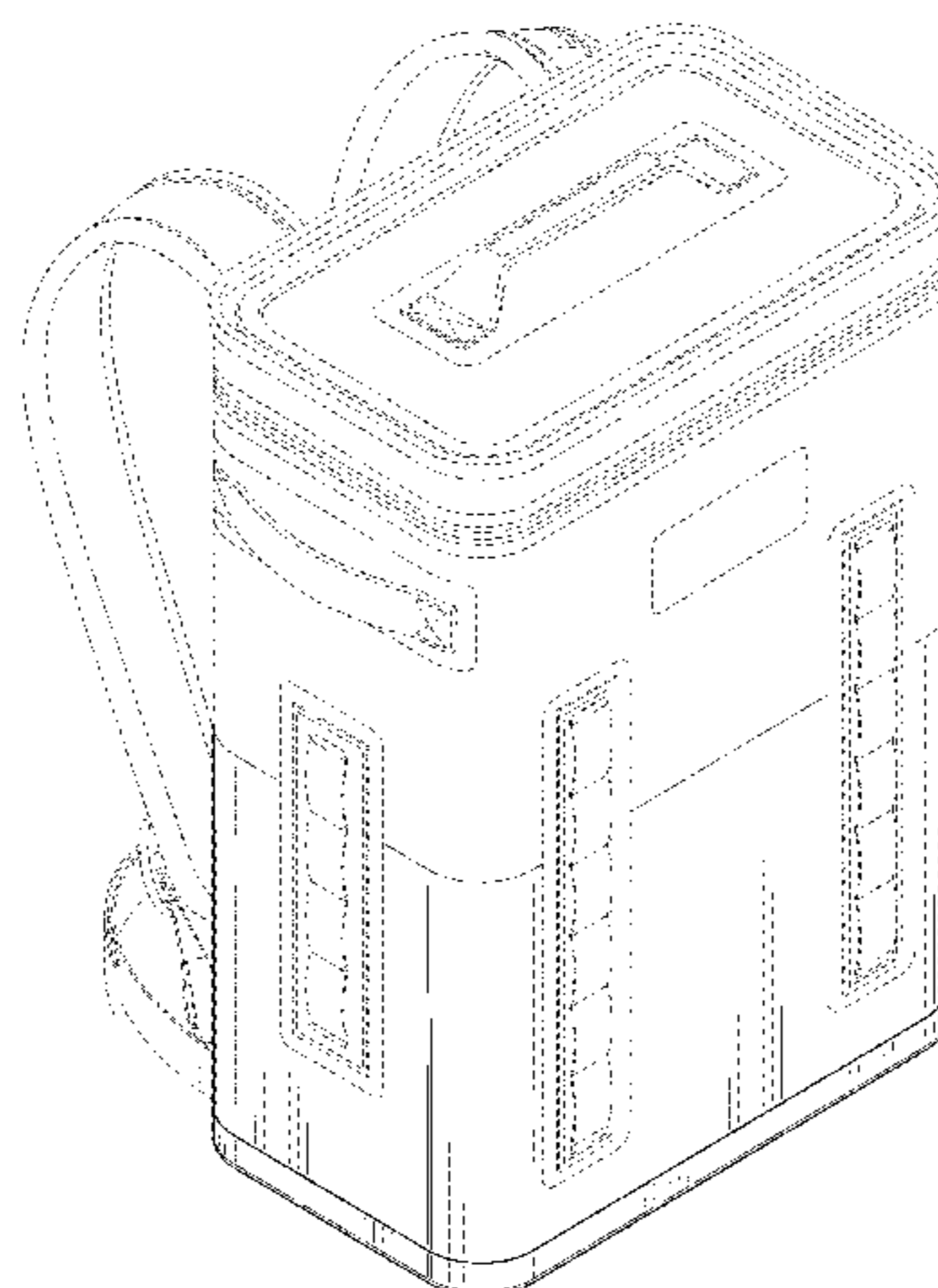
(56) **References Cited**

U.S. PATENT DOCUMENTS

210,994 A 12/1878 Carnagy  
1,587,655 A 6/1926 Kidwell

(Continued)

**1 Claim, 8 Drawing Sheets**



(56)

References Cited

U.S. PATENT DOCUMENTS

1,949,677 A	3/1934	Crawford	5,237,838 A	8/1993	Merritt-Munson	
2,119,621 A	6/1938	Ferrone	5,244,136 A	9/1993	Collaso	
2,253,598 A	8/1941	Africa	D339,979 S	10/1993	Wehrley	
2,289,254 A	7/1942	Eagles	D340,387 S	10/1993	Melk	
2,522,381 A	9/1950	Kramer	D340,621 S	10/1993	Melk	
2,575,191 A	11/1951	Seipp	D340,840 S	11/1993	Melk	
2,575,893 A	11/1951	Seaman	5,269,368 A	12/1993	Schneider et al.	
2,633,223 A	3/1953	Zeamer	D343,992 S	2/1994	Melk	
2,651,485 A	9/1953	Schutz	5,297,870 A	3/1994	Weldon	
2,661,785 A	12/1953	Daust	5,313,807 A	5/1994	Owen	
2,685,385 A	8/1954	Kuss	5,325,991 A	7/1994	Williams	
2,808,093 A	10/1957	Gilman	5,354,131 A	10/1994	Mogil	
2,954,891 A	10/1960	Imber	5,355,684 A	10/1994	Guice	
3,066,846 A	12/1962	Domigan	5,398,848 A	3/1995	Padamsee	
3,454,197 A	7/1969	Thompson	5,400,610 A	3/1995	Macedo	
3,801,425 A	4/1974	Cook	5,403,095 A	4/1995	Melk	
3,814,288 A	6/1974	Westrich	5,421,172 A	6/1995	Jones	
3,905,511 A	9/1975	Groendal	5,447,764 A	9/1995	Langford	
4,125,212 A	11/1978	Courchesne	5,472,279 A	12/1995	Lin	
4,127,155 A	11/1978	Hydom	5,490,396 A	2/1996	Morris	
4,143,695 A	3/1979	Hoehn	D370,599 S	6/1996	Christopher et al.	
4,194,627 A	3/1980	Christensen	D371,052 S	6/1996	Melk	
4,196,817 A	4/1980	Moser	5,529,217 A	6/1996	Siegel	
4,197,890 A	4/1980	Simko	D373,515 S	9/1996	Melk	
4,210,186 A	7/1980	Belenson	5,562,228 A	10/1996	Ericson	
4,211,091 A	7/1980	Campbell	5,564,568 A	10/1996	Rankin, Sr.	
4,211,267 A	7/1980	Skovgaard	5,569,401 A	10/1996	Gilliland et al.	
4,248,366 A	2/1981	Christiansen	5,595,320 A	1/1997	Aghassipour	
D265,948 S	8/1982	Stark	D382,771 S	8/1997	Mogil	
4,344,303 A	8/1982	Kelly, Jr.	D383,360 S	9/1997	Melk	
4,372,453 A	2/1983	Branscum	5,680,944 A	10/1997	Rueter	
4,375,828 A	3/1983	Biddison	5,680,958 A	10/1997	Mann et al.	
D268,879 S	5/1983	Outcalt	D386,310 S	11/1997	Smith	
4,399,668 A	8/1983	Williamson	5,687,874 A	11/1997	Omori et al.	
4,468,933 A	9/1984	Christopher	D387,249 S	12/1997	Mogil	
4,513,895 A	4/1985	Leslie	5,706,969 A	1/1998	Yamada et al.	
4,521,910 A	6/1985	Keppel et al.	D394,553 S	5/1998	Lin	
4,537,313 A	8/1985	Workman	D395,555 S	6/1998	Ursitti	
4,541,540 A	9/1985	Gretz et al.	5,758,513 A	6/1998	Smith	
D281,122 S	10/1985	Bomes et al.	5,779,089 A	7/1998	West	
D281,546 S	12/1985	Bradshaw	D397,273 S	8/1998	Collie	
D281,646 S	12/1985	Bomes et al.	5,816,709 A	10/1998	Demus	
D282,602 S	2/1986	Allen	D401,063 S	11/1998	Yamamoto et al.	
4,571,338 A	2/1986	Okonogi et al.	5,842,571 A	12/1998	Rausch	
4,595,101 A	6/1986	Rivera	5,845,514 A	12/1998	Clarke et al.	
4,596,370 A	6/1986	Adkins	5,848,734 A	12/1998	Melk	
4,598,746 A	7/1986	Rabinowitz	5,857,778 A	1/1999	Elis	
4,637,063 A	1/1987	Sullivan et al.	5,909,821 A	6/1999	Guridi	
D289,128 S	4/1987	Bradshaw	5,913,448 A	6/1999	Mann et al.	
4,673,117 A	6/1987	Calton	5,915,580 A	6/1999	Melk	
4,679,242 A	7/1987	Brockhaus	5,931,583 A	8/1999	Collie	
4,708,254 A	11/1987	Byrns	D414,379 S	9/1999	Haberkom	
4,746,028 A	5/1988	Bagg	5,988,468 A	11/1999	Murdoch et al.	
4,759,077 A	7/1988	Leslie	5,988,879 A	11/1999	Bredderman et al.	
4,765,476 A	8/1988	Lee	6,019,245 A	2/2000	Foster et al.	
4,796,937 A	1/1989	Andrea	6,027,249 A	2/2000	Bielinski	
4,802,344 A	2/1989	Livingston et al.	6,029,847 A	2/2000	Mahoney, Jr. et al.	
4,802,602 A	2/1989	Evans et al.	D424,417 S	5/2000	Axelsson	
4,812,054 A	3/1989	Kirkendall	6,059,140 A	5/2000	Hicks	
4,826,060 A	5/1989	Hollingsworth	6,065,873 A	5/2000	Fowler	
4,858,444 A	8/1989	Scott	6,068,402 A *	5/2000	Freese .....	A45C 11/20 383/108
4,867,214 A	9/1989	Fuller	6,073,796 A	6/2000	Mogil	
4,886,183 A	12/1989	Fleming	6,082,589 A	7/2000	Ash et al.	
4,941,603 A	7/1990	Creamer et al.	6,082,896 A	7/2000	Pulli	
4,984,906 A	1/1991	Little	6,089,038 A	7/2000	Tattam	
4,986,089 A	1/1991	Raab	6,092,266 A	7/2000	Lee	
4,989,418 A	2/1991	Hewlett	6,092,661 A *	7/2000	Mogil .....	A63B 55/408 150/106
5,004,091 A	4/1991	Natho et al.	6,116,045 A	9/2000	Hodosh et al.	
5,005,679 A	4/1991	Hjelle	6,128,915 A	10/2000	Wagner	
5,042,664 A	8/1991	Shyr et al.	6,139,188 A	10/2000	Marzano	
5,048,734 A	9/1991	Long	6,145,715 A	11/2000	Slonim	
5,062,557 A	11/1991	Mahvi et al.	6,149,305 A	11/2000	Fier	
5,190,376 A	3/1993	Book	6,193,034 B1	2/2001	Fournier	
5,216,900 A	6/1993	Jones	6,209,343 B1	4/2001	Owen	
5,221,016 A	6/1993	Karpal	6,220,473 B1	4/2001	Lehman et al.	
			6,234,677 B1	5/2001	Mogil	
			6,237,776 B1	5/2001	Mogil	



(56)

References Cited

U.S. PATENT DOCUMENTS

6,247,328 B1	6/2001	Mogil	
6,253,570 B1	7/2001	Lustig	
6,276,579 B1	8/2001	DeLoach	
D447,667 S	9/2001	Schneider et al.	
6,286,709 B1	9/2001	Hudson	
6,296,134 B1	10/2001	Cardinale	
6,296,165 B1 *	10/2001	Mears .....	A45C 3/00 150/107
6,298,993 B1	10/2001	Kalozdi	
6,336,577 B1	1/2002	Harris et al.	
6,353,215 B1	3/2002	Revels et al.	
D455,934 S	4/2002	Culp et al.	
6,363,739 B1	4/2002	Hodosh et al.	
6,409,066 B1	6/2002	Schneider et al.	
6,422,032 B1	7/2002	Greene	
6,439,389 B1	8/2002	Mogil	
D464,235 S	10/2002	Jeong	
D465,134 S	11/2002	Joss	
6,481,239 B2	11/2002	Hodosh et al.	
D466,291 S	12/2002	Ng	
6,495,194 B2	12/2002	Sato et al.	
6,505,479 B2	1/2003	Defelice et al.	
6,511,695 B1	1/2003	Paquin et al.	
6,513,661 B1	2/2003	Mogil	
D472,431 S	4/2003	Spence, Jr.	
6,554,155 B1	4/2003	Beggins	
D474,649 S	5/2003	Spence, Jr.	
6,582,124 B2	6/2003	Mogil	
D476,481 S	7/2003	Gilbert	
6,595,687 B2	7/2003	Godshaw et al.	
D478,782 S	8/2003	Li	
6,604,649 B1	8/2003	Campi	
6,605,311 B2	8/2003	Villagran et al.	
6,619,447 B1	9/2003	Garcia, III et al.	
6,629,430 B2	10/2003	Mills et al.	
D482,241 S	11/2003	Tyler	
6,652,933 B2	11/2003	Hall	
6,655,543 B2	12/2003	Beuke	
D485,131 S	1/2004	Lanman et al.	
D485,732 S	1/2004	Lanman et al.	
D486,038 S	2/2004	Lanman et al.	
6,688,470 B2	2/2004	Dege et al.	
6,729,758 B1	5/2004	Carter	
D492,160 S	6/2004	Lanman et al.	
D497,518 S	10/2004	Bellofatto, Jr. et al.	
6,799,693 B2	10/2004	Meza	
D498,924 S	11/2004	Karl	
D501,600 S	2/2005	Guyon	
D502,599 S	3/2005	Cabana et al.	
D503,279 S	3/2005	Smith	
6,874,356 B2	4/2005	Komfeldt et al.	
D506,645 S	6/2005	Bellofatto, Jr. et al.	
D512,274 S	12/2005	Cabey	
D515,362 S	2/2006	Chan	
D516,099 S	2/2006	Maruyama	
D517,801 S	3/2006	Woo	
D520,306 S	5/2006	Peterson	
D523,243 S	6/2006	Nashmy	
D527,226 S	8/2006	Maldonado	
D530,089 S	10/2006	Silverman	
7,153,025 B1	12/2006	Jackson et al.	
D534,352 S	1/2007	Delafontaine	
D534,771 S	1/2007	Zorn	
D535,820 S	1/2007	Kamiya	
7,162,890 B2	1/2007	Mogil et al.	
D539,033 S	3/2007	Cassegrain	
7,201,285 B2	4/2007	Beggins	
7,207,716 B2	4/2007	Buchanan et al.	
7,219,814 B2	5/2007	Lown et al.	
7,240,513 B1	7/2007	Conforti	
D548,459 S	8/2007	Harvey	
D550,448 S	9/2007	Boje et al.	
7,264,134 B2	9/2007	Tulp	
D557,667 S	12/2007	Kawamura et al.	
7,302,810 B2	12/2007	McCrary	
D560,102 S	1/2008	Sumter	
7,313,927 B2	1/2008	Barker	
7,344,028 B2	3/2008	Hanson	
7,353,952 B2	4/2008	Swartz et al.	
D570,603 S	6/2008	Wu et al.	
D573,422 S	7/2008	Tagliati et al.	
D574,667 S	8/2008	Grabijas, III et al.	
D578,401 S	10/2008	Perry et al.	
D582,151 S	12/2008	Gonzalez	
7,481,065 B2	1/2009	Krieger	
D598,194 S	8/2009	Turvey et al.	
7,597,478 B2	10/2009	Pruchnicki et al.	
D603,606 S	11/2009	Wang	
7,634,919 B2	12/2009	Bernhard, Jr. et al.	
D607,697 S	1/2010	Whitlock et al.	
D608,096 S	1/2010	Noble	
D608,159 S	1/2010	Whitlock et al.	
D610,795 S	3/2010	Dejadon	
D611,706 S	3/2010	Angles et al.	
7,669,436 B2	3/2010	Mogil et al.	
7,682,080 B2	3/2010	Mogil	
D617,560 S	6/2010	Wu	
7,730,739 B2	6/2010	Fuchs	
D618,966 S	7/2010	Koehler et al.	
D619,423 S	7/2010	Koehler et al.	
D619,854 S	7/2010	Koehler et al.	
D619,855 S	7/2010	Koehler et al.	
7,757,878 B2	7/2010	Mogil et al.	
D620,707 S	8/2010	Mogil	
D620,708 S	8/2010	Sanz	
7,775,388 B2	8/2010	Murrer, III	
7,784,759 B2	8/2010	Farrell	
7,791,003 B2	9/2010	Lockhart et al.	
7,811,620 B2	10/2010	Merrill et al.	
7,815,069 B1	10/2010	Bellofatto et al.	
D626,329 S	11/2010	Chapelier	
D627,199 S	11/2010	Pruchnicki	
7,841,207 B2	11/2010	Mogil et al.	
D629,612 S	12/2010	Weldon	
7,874,177 B2	1/2011	Azamy	
7,900,816 B2	3/2011	Kastanek et al.	
D638,220 S	5/2011	Chu et al.	
D642,870 S	8/2011	Whitlock et al.	
7,988,006 B2	8/2011	Mogil et al.	
D645,662 S	9/2011	Perez	
8,016,090 B2	9/2011	McCoy et al.	
8,043,004 B2	10/2011	Mogil	
D648,532 S	11/2011	Sosnovsky	
8,061,159 B2	11/2011	Mogil et al.	
D650,169 S	12/2011	Klifa	
8,096,442 B2	1/2012	Ramundi	
8,191,747 B2	6/2012	Pruchnicki	
D664,261 S	7/2012	Kravitz et al.	
8,209,995 B2	7/2012	Kieling et al.	
D666,896 S	9/2012	Pinholster, Jr. et al.	
D667,043 S	9/2012	Couch, III	
8,281,950 B2	10/2012	Potts et al.	
8,302,749 B2	11/2012	Melmon et al.	
D673,363 S	1/2013	Crandall	
D674,664 S *	1/2013	Collie .....	D7/607
8,424,713 B2	4/2013	Bolland	
D682,635 S	5/2013	Boroski	
8,453,899 B1	6/2013	Calkin	
D686,412 S	7/2013	Guichot	
8,474,640 B2	7/2013	Armstrong	
8,516,848 B2	8/2013	White et al.	
8,544,678 B1	10/2013	Hughes	
8,573,002 B2	11/2013	Ledoux et al.	
D695,568 S	12/2013	Hayes	
8,622,235 B2	1/2014	Suchecki	
D699,940 S	2/2014	Robert	
D699,941 S	2/2014	Robert	
D703,946 S	5/2014	Tweedie	
8,720,739 B2	5/2014	Bollis	
8,777,045 B2	7/2014	Mitchell et al.	
D710,085 S	8/2014	Szewczyk	
D711,096 S	8/2014	Hanna	
D712,555 S	9/2014	Berg	
8,827,109 B1	9/2014	Sheehan	



(56)

References Cited

U.S. PATENT DOCUMENTS

8,844,756 B2	9/2014	Beyburg	D814,879 S	4/2018	Larson et al.
D715,544 S	10/2014	Levine	D817,106 S	5/2018	Larson et al.
8,857,654 B2	10/2014	Mogil et al.	D817,107 S	5/2018	Larson et al.
D717,041 S	11/2014	Pulliam	D821,825 S	7/2018	Sullivan et al.
D718,931 S	12/2014	Brundl	D822,987 S	7/2018	Seiders et al.
D719,303 S	12/2014	Anderson	D822,997 S	7/2018	Seiders et al.
8,899,071 B2	12/2014	Mogil et al.	D824,731 S	8/2018	Sullivan et al.
D725,908 S	4/2015	Zwetzig	2002/0197369 A1	12/2002	Modler
D728,942 S	5/2015	Byham	2003/0070447 A1	4/2003	Tanaka
D732,348 S	6/2015	Seiders et al.	2003/0080133 A1	5/2003	Butler
D732,349 S	6/2015	Seiders et al.	2003/0106895 A1	6/2003	Kalal
D732,350 S	6/2015	Seiders et al.	2003/0136702 A1	7/2003	Redzisz et al.
D732,899 S	6/2015	Seiders et al.	2003/0175394 A1	9/2003	Modler
D734,643 S	7/2015	Boroski	2004/0004111 A1	1/2004	Cardinale
D734,992 S	7/2015	Boroski	2004/0028296 A1	2/2004	Meli
9,084,463 B2	7/2015	Merrill	2004/0035143 A1	2/2004	Mogil
D738,108 S	9/2015	Adler et al.	2004/0074936 A1	4/2004	McDonald
D739,654 S	9/2015	Brouard	2004/0094589 A1	5/2004	Fricano
9,139,352 B2	9/2015	Seiders et al.	2004/0144783 A1	7/2004	Anderson et al.
9,146,051 B2	9/2015	Kamin et al.	2004/0149600 A1	8/2004	Wolter et al.
D747,104 S	1/2016	Ford	2004/0164084 A1	8/2004	Cooper
9,226,558 B2	1/2016	Armstrong	2004/0237266 A1	12/2004	Wang
D749,653 S	2/2016	Carnes	2005/0016895 A1	1/2005	Glenn
D750,140 S	2/2016	Cross	2005/0034947 A1	2/2005	Nykoluk
9,254,022 B2	2/2016	Meldeau et al.	2005/0045520 A1	3/2005	Johnson
9,254,023 B2	2/2016	Su et al.	2005/0045521 A1	3/2005	Johnson et al.
9,265,318 B1	2/2016	Williams et al.	2005/0056669 A1*	3/2005	Lavelle ..... A41D 3/08 224/153
D752,347 S	3/2016	Seiders et al.	2005/0072181 A1	4/2005	Mogil et al.
9,271,553 B2	3/2016	Ponx	2005/0133399 A1*	6/2005	Fidrych ..... A45F 3/04 206/545
9,272,475 B2	3/2016	Ranade et al.	2005/0183446 A1	8/2005	Fuchs
9,290,313 B2	3/2016	De Lesseux et al.	2005/0196510 A1	9/2005	Walters
D752,860 S	4/2016	Barilaro et al.	2005/0262871 A1	12/2005	Bailey-Weston
D756,109 S	5/2016	Hayashi	2005/0263528 A1	12/2005	Maldonado et al.
D756,638 S	5/2016	Frisoni	2005/0279124 A1	12/2005	Maldonado
9,366,467 B2	6/2016	Kiedaisch et al.	2006/0007266 A1	1/2006	Silverbrook
D760,494 S	7/2016	Harvey-Pankey	2006/0102497 A1	5/2006	Wulf
D761,561 S	7/2016	Cheng	2006/0151533 A1	7/2006	Simunovic et al.
D763,570 S	8/2016	Potts	2006/0201979 A1	9/2006	Achilles
D764,791 S	8/2016	Patel	2006/0240159 A1	10/2006	Cash et al.
D764,873 S *	8/2016	Collie ..... D7/607	2007/0012593 A1	1/2007	Kitchens et al.
D768,987 S	10/2016	Blumenfeld	2007/0148305 A1	6/2007	Sherwood et al.
D770,761 S	11/2016	Deioma et al.	2007/0148307 A1	6/2007	Sherwood et al.
D770,763 S	11/2016	Joo et al.	2007/0217187 A1	9/2007	Blakely et al.
D771,372 S	11/2016	Kelly et al.	2007/0221693 A1	9/2007	Moore
D772,562 S	11/2016	Petre	2007/0237432 A1*	10/2007	Mogil ..... A45C 7/0077 383/38
D778,045 S	2/2017	Ruddis	2007/0261977 A1	11/2007	Sakai
D782,820 S	4/2017	Thompson	2007/0274613 A1	11/2007	Pruchnicki et al.
D784,010 S	4/2017	Dumas	2007/0290816 A1	12/2007	Bedard
D785,325 S	5/2017	Samrelius et al.	2008/0038424 A1	2/2008	Krusemann
D786,559 S	5/2017	Seiders et al.	2008/0073364 A1	3/2008	Simmons
D786,560 S	5/2017	Seiders et al.	2008/0105282 A1	5/2008	Fernholz et al.
D786,561 S	5/2017	Seiders et al.	2008/0128421 A1	6/2008	Ulbrand et al.
D786,562 S	5/2017	Seiders et al.	2008/0160149 A1	7/2008	Nasrallah et al.
D787,187 S	5/2017	Seiders et al.	2008/0164265 A1	7/2008	Conforti
D789,080 S	6/2017	Caffagni	2008/0178865 A1	7/2008	Retterer
D792,167 S	7/2017	Bradley	2008/0245096 A1	10/2008	Hanson et al.
D792,486 S	7/2017	Li et al.	2008/0260303 A1	10/2008	De Lesseux et al.
D796,185 S	9/2017	Masten	2008/0305235 A1	12/2008	Gao et al.
D797,454 S	9/2017	Seiders et al.	2009/0052809 A1	2/2009	Sampson
D797,455 S	9/2017	Seiders et al.	2009/0080808 A1	3/2009	Hagen
D798,670 S	10/2017	Seiders et al.	2009/0095757 A1	4/2009	Ramundi
D799,276 S	10/2017	Seiders et al.	2009/0280229 A1	11/2009	Constantine et al.
D799,277 S	10/2017	Seiders et al.	2009/0311378 A1	12/2009	Wilaschin et al.
D799,905 S	10/2017	Seiders et al.	2009/0317514 A1	12/2009	Sizer
D800,444 S	10/2017	Burton et al.	2010/0047423 A1	2/2010	Kruesemann et al.
D801,123 S	10/2017	Seiders et al.	2010/0059199 A1	3/2010	Court
D802,028 S	11/2017	Li	2010/0075006 A1	3/2010	Semenza
D802,029 S	11/2017	Li	2010/0108694 A1	5/2010	Sedlbauer et al.
D802,373 S	11/2017	Seiders et al.	2010/0136203 A1	6/2010	Sakata et al.
D802,630 S	11/2017	Li et al.	2010/0143567 A1	6/2010	Ye et al.
D805,851 S	12/2017	Sullivan et al.	2010/0224660 A1	9/2010	Gleason
D808,730 S	1/2018	Sullivan et al.	2010/0284631 A1	11/2010	Lee
D809,869 S	2/2018	Seiders et al.	2011/0003975 A1	1/2011	Arase et al.
D811,082 S	2/2018	Lehan	2011/0005739 A1	1/2011	Finney et al.
D811,746 S	3/2018	Seiders et al.	2011/0030415 A1	2/2011	Breyburg et al.
			2011/0097442 A1	4/2011	Harju et al.



(56)

## References Cited

## U.S. PATENT DOCUMENTS

2011/0108562 A1 5/2011 Lyons  
 2011/0167863 A1 7/2011 Herrbold  
 2011/0182532 A1 7/2011 Baltus  
 2011/0191933 A1 8/2011 Gregory et al.  
 2011/0284601 A1 11/2011 Pullin  
 2011/0311166 A1 12/2011 Pascua  
 2012/0106130 A1 5/2012 Beaudette  
 2012/0137637 A1 6/2012 Gillis  
 2012/0180184 A1 7/2012 Crye  
 2012/0181211 A1 7/2012 Charlebois  
 2012/0187138 A1 7/2012 Vasquez et al.  
 2012/0294550 A1 11/2012 Hassman et al.  
 2012/0311828 A1 12/2012 Nir  
 2013/0014355 A1 1/2013 Lee  
 2013/0043285 A1 2/2013 Cordray  
 2013/0174600 A1 7/2013 Sarcinella  
 2013/0216158 A1 8/2013 Meldeau et al.  
 2013/0264350 A1 10/2013 Handlon et al.  
 2013/0294712 A1 11/2013 Seuk  
 2013/0341338 A1 12/2013 Mitchell et al.  
 2014/0023295 A1 1/2014 Wagner  
 2014/0034543 A1 2/2014 Grubstein  
 2014/0151172 A1 6/2014 Diaz  
 2014/0226920 A1 8/2014 Passavia  
 2014/0248003 A1 9/2014 Mogil et al.  
 2014/0254956 A1 9/2014 Buell, III  
 2014/0366336 A1 12/2014 Chung  
 2015/0008242 A1 1/2015 Kpabar, Jr.  
 2015/0114024 A1 4/2015 Grepper  
 2015/0136796 A1 5/2015 Muehlhauser  
 2015/0175338 A1 6/2015 Culp et al.  
 2015/0225164 A1 8/2015 Seiders et al.  
 2015/0335202 A1 11/2015 Wisner et al.  
 2015/0353263 A1 12/2015 Seiders et al.  
 2016/0066817 A1 3/2016 Hannes  
 2016/0101924 A1 4/2016 Mitchell et al.  
 2016/0107816 A1 4/2016 Larpenteur et al.  
 2016/0257479 A1 9/2016 Seiders et al.  
 2016/0338462 A1 11/2016 Hayashi  
 2016/0338908 A1 11/2016 Rice et al.  
 2017/0071304 A1 3/2017 Wang  
 2017/0071305 A1 3/2017 Wang

## FOREIGN PATENT DOCUMENTS

CA 2300014 A1 8/2001  
 CA 2327764 A1 6/2002  
 CA 2433251 A1 12/2004  
 CA 2483802 A1 4/2006  
 CA 2498796 A1 9/2006  
 CA 2499291 A1 9/2006  
 CA 2503473 A1 10/2006  
 CA 2548064 A1 11/2007  
 CA 2549327 A1 11/2007  
 CA 2633223 A1 12/2009  
 CA 2782668 A1 12/2013  
 CN 2125339 U 12/1992  
 CN 2188899 Y 2/1995  
 CN 201062136 Y 5/2008  
 CN 102717977 A 10/2012  
 CN 202619972 U 12/2012  
 CN 202959175 U 6/2013  
 CN 103385657 A 11/2013  
 CN 302623771 11/2013  
 CN 302623775 11/2013  
 CN 302769710 3/2014  
 CN 302956550 10/2014  
 CN 303100086 2/2015  
 CN 303342902 8/2015  
 DE 3539626 A1 5/1987  
 DE 20002689 U1 8/2000  
 DE 202011050174 U1 7/2011  
 DE 202013101115 U1 3/2013  
 EP 0037545 A2 10/1981  
 EP 0082131 A2 6/1983

EP 85534 A1 8/1983  
 EP 0158634 A1 10/1985  
 EP 0174159 A2 3/1986  
 EP 0238932 A1 9/1987  
 FR 1269009 A 8/1961  
 FR 2440886 A1 6/1980  
 GB 1600133 A 10/1981  
 GB 2249717 A 5/1992  
 GB 2335972 A 10/1999  
 GB 3004135 9/2002  
 GB 3006367 10/2002  
 JP 11051532 2/1999  
 JP 3275477 B2 4/2002  
 JP D1160335 12/2002  
 JP 2003026258 A 1/2003  
 JP D1213384 8/2004  
 JP D1242111 6/2005  
 JP 2010023926 A 2/2010  
 JP D1445624 7/2012  
 KR 20020027739 A 4/2002  
 KR 20040092730 A 11/2004  
 KR 300778570.0000 1/2015  
 KR 300808669.0000 8/2015  
 KR 300835242.0000 1/2016  
 KR 300853718.0000 5/2016  
 WO 9524146 A2 9/1995  
 WO 9812954 A1 4/1998  
 WO 02058500 A1 8/2002  
 WO 2006007266 A2 1/2006  
 WO 2006058538 A1 6/2006  
 WO 2007016092 A2 2/2007  
 WO 2010106296 A2 9/2010  
 WO 2010120199 A1 10/2010  
 WO 2012003543 A1 1/2012  
 WO 2014033450 A1 3/2014  
 WO 2014066026 A1 5/2014  
 WO 2016066817 A1 5/2016

## OTHER PUBLICATIONS

Icemule Classic Cooler—Large (20L), <http://www.icemulecooler.com/icemule-classic-cooler-large-20l/>, published date unknown, but prior to the filing date of the present application, Icemule, United States.

Devonbuy.com: Thule Gauntlet 13" MacBook Pro Attaché. Published on Jul. 28, 2014. Retrieved from the internet at <<http://www.devonbuy.com/thule-gauntlet-13-macbook-pro-attache/>>, Feb. 24, 2016. 9 pages.

United States District Court for the Western District of Texas, Austin Division, “Defendants’ Answer and Counterclaims to YETI’s Complaint,” *YETI Coolers, LLC, vs. RTIC Soft Sided Coolers, LLC, RTIC Coolers, LLC, RTIC Web Services, LLC, and Corporate Support and Fulfillment, LLC*, Case 1:16-cv-00909-RP, Document 11, Filed Aug. 18, 2016, 44 pages.

United States District Court Western District of Texas, Austin Division, “Complaint,” *YETI Coolers, LLC, v. RTIC Soft Side Coolers, RTIC Coolers, LLC, RTIC Web Services, LLC, and Corporate Support and Fulfillment, LLC*, Case 1:16-cv-00909, Document 1, Filed Jul. 27, 2016, 66 pages.

United States District Court Western District of Texas, Austin Division, “Complaint for Damages and Injunctive Relief,” *YETI Coolers, LLC v. Jennifer Leverage Bootz Evans d/b/a Bling and Burlap Buy In’s and Blanks*, Case 1:15-cv-00995, Document 1, Filed Nov. 2, 2015, 128 pages.

United States District Court Western District of Texas, Austin Division, “Order,” *YETI Coolers, LLC v. Jennifer Leverage Bootz Evans d/b/a Bling and Burlap Buy In’s and Blanks*, Case 1:15-cv-00995-RP, Document 18, Filed Apr. 18, 2016, 1 page.

United States District Court Western District of Texas, Austin Division, “Defendant’s Reply in Support of Their Rule 12 (B)(6) Motion to Dismiss for Failure to State a Claim” *YETI Coolers, LLC v. RTIC Soft Sided Coolers, LLC, RTIC Coolers, LLC, RTIC Web Services, LLC, and Corporate Support and Fulfillment, LLC*, Case 1:16-cv-00909-RP, Document 15, Filed Sep. 8, 2016, 13 pages.



(56)

## References Cited

## OTHER PUBLICATIONS

United States District Court Western District of Texas, Austin Division, "YETI's Answer to RTIC's Counterclaims," *YETI Coolers, LLC v. RTIC Soft Sided Coolers, LLC, RTIC Coolers, LLC, RTIC Web Services, LLC, and Corporate Support and Fulfillment, LLC*, Case 1:16-cv-00909-RP, Document 14, Filed Sep. 2, 2016, 16 pages.

United States District Court Western District of Texas, Austin Division, "YETI's Opposition to RTIC's Motion to Dismiss," *YETI Coolers, LLC v. RTIC Soft Sided Coolers, LLC, RTIC Coolers, LLC, RTIC Web Services, LLC, and Corporate Support and Fulfillment, LLC*, Case 1:16-cv-00909-RP, Document 13, Filed Sep. 1, 2016, 17 pages.

United States District Court for the Western District of Texas, Austin Division, "Defendants' Rule 12(B)(6) Motion to Dismiss for Failure to State a Claim," *YETI Coolers, LLC, vs. RTIC Soft Sided Coolers, LLC, RTIC Coolers, LLC, RTIC Web Services, LLC, and Corporate Support and Fulfillment, LLC*, Case 1:16-cv-00909-RP, Document 10, Filed Aug. 18, 2016, 12 pages.

United States District Court for the Western District of Texas, Austin Division, "Joint Rule 26(f) Report and Discovery Plan," *YETI Coolers, LLC, vs. RTIC Soft Sided Coolers, LLC, RTIC Coolers, LLC, RTIC Web Services, LLC, and Corporate Support and Fulfillment, LLC*, Case 1:16-cv-00909-RP, Document 19, Filed Oct. 11, 2016, 9 pages.

Petition for Inter Partes Review of U.S. Pat. No. 9139352, filed on Dec. 13, 2016, 1616 pages.

TheGadgeteer.com: Tom Bihn Camera I-O Bag Review. Published Jul. 9, 2012. Retrieved from the internet at <<http://the-gadgeteer.com/2012/07/09/tom-bihn-camera-i-o-bag-review/>>, Jan. 11, 2016. 7 pages.

YouTube.com: Patagonia Black Hole Duffel 60L. Published Aug. 26, 2013. Retrieved from the internet at <<https://www.youtube.com/watch?v=W-PWEmZmVv8>>, Dec. 19, 2016. 1 page.

YouTube, "YETI Hopper Cooler At ICAST 2014", Uploaded by user "TackleDirect" on Jul. 17, 2014, Accessed Jan. 31, 2017. (<https://www.youtube.com/watch?v=A2rKRdyZcZ4>).

Ebags, Picnic Pack Picnic Pack Large Insulated Cooler Tote, First reviewed on Jul. 20, 2016. Accessed Feb. 7, 2017. (<http://www.ebags.com/product/picnic-pack/picnic-pack-large-insulated-cooler-tote/313704?productid=10428840>).

United States Patent and Trademark Office Before the Patent Trial and Appeal Board, Decisions Joint Motions to Terminate Inter Partes Review, Entered Mar. 22, 2017—(4 pgs).

Jan. 31, 2017—(WO) International Search Report and Written Opinion—App. PCT/US2016/060135.

Mar. 31, 2017—(WO) International Search Report and Written Opinion—App PCT/US2017/016552.

May 8, 2017—U.S. Non-Final Office Action—U.S. Appl. No. 15/154,626.

May 22, 2015—U.S. Non-Final Office Action—U.S. Appl. No. 14/479,607.

United States District Court Western District of Texas Austin Division, "Complaint," *YETI Coolers, LLC v. Glacier coolers, LLC, and Tecomate Holdings, LLC*, Case 1:17-cv-00586, Document 1, filed Jun. 15, 2017, 161 pages.

May 30, 2017—(WO) ISR—App. No. PCT/US17/32351.

May 30, 2017—(WO) Written Opinion—App. No. PCT/US17/32351.

Vimeo, "Cleaning Your YETI Hopper" uploaded by user YETI Coolers on Nov. 4, 2014, Accessed Sep. 27, 2017. (<https://vimeo.com/110890075>).

Sep. 13, 2017—U.S. Final Office Action—U.S. Appl. No. 15/137,838.

Nov. 24, 2017—U.S. Final Office Action—U.S. Appl. No. 15/154,626.

Good Housekeeping, "Lands' End Zip Top Cooler Tote #433786", Reviewed on Apr. 2014, Accessed Nov. 18, 2017. (<http://www.goodhousekeeping.com/travel-products/food-cooler-reviews/a33270/lands-end-zip-top-cooler-tote-433786/>).

Home Shopping Network, "Built New York Large Welded Cooler Bag", Accessed Nov. 18, 2017. (<https://www.hsn.com/products/built-new-york-large-welded-cooler-bag/8561033>).

Feb. 9, 2018—U.S. Non-Final Office Action—U.S. Appl. No. 15/451,064.

Aug. 29, 2018 (WO)—International Search Report and Written Opinion—App. No. PCT/US18/36608.

\* cited by examiner

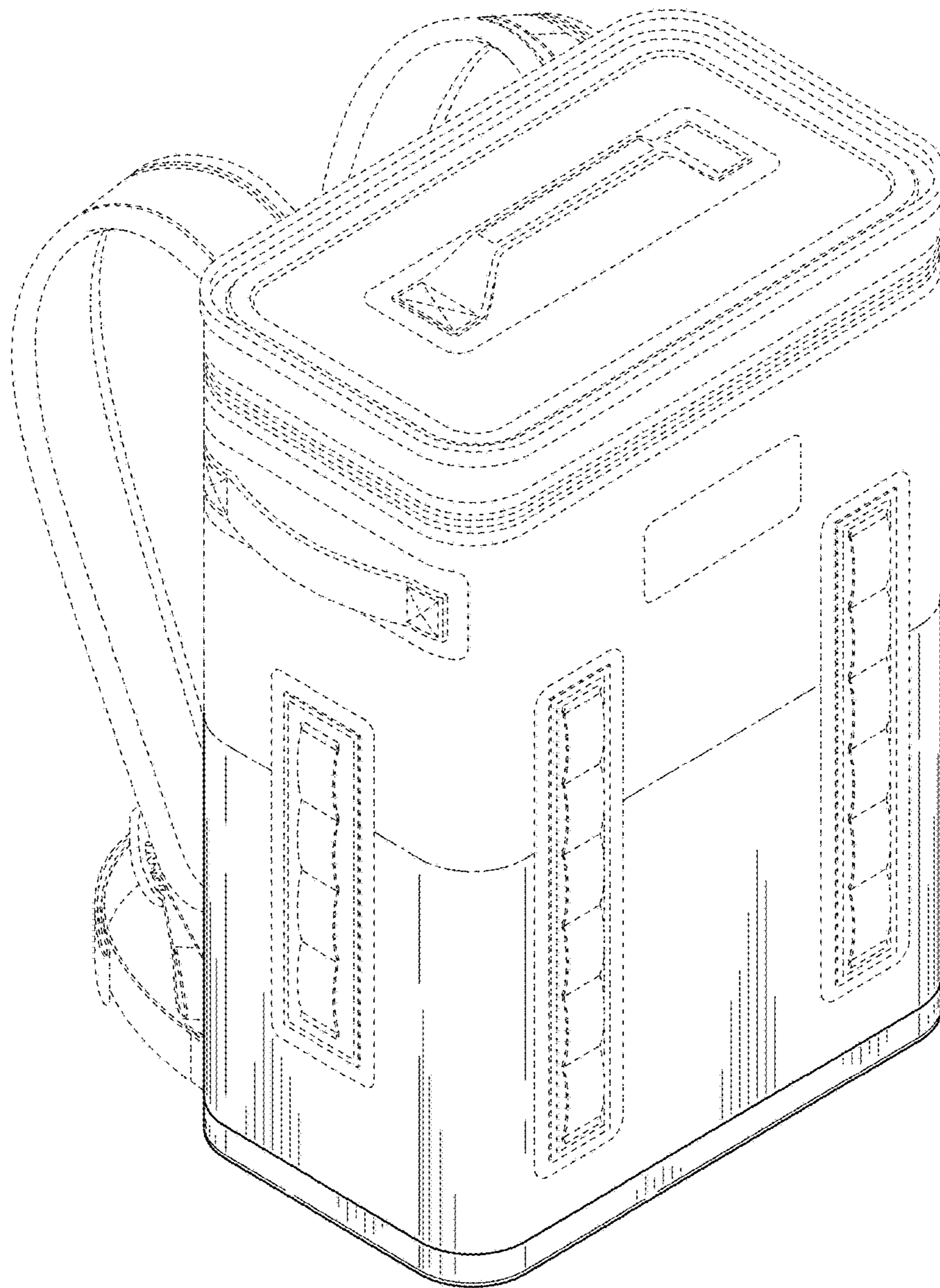


FIG. 1

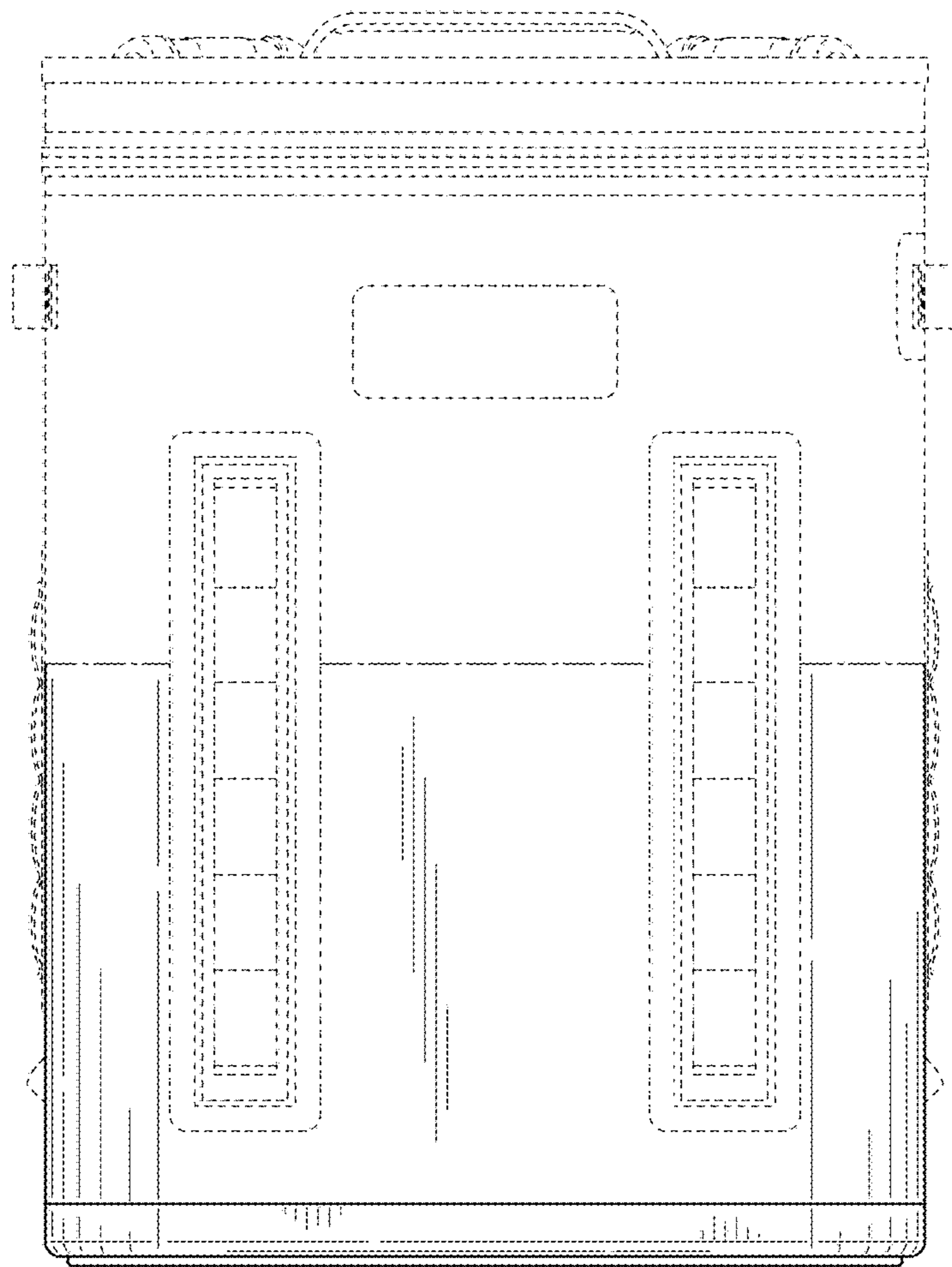


FIG. 2



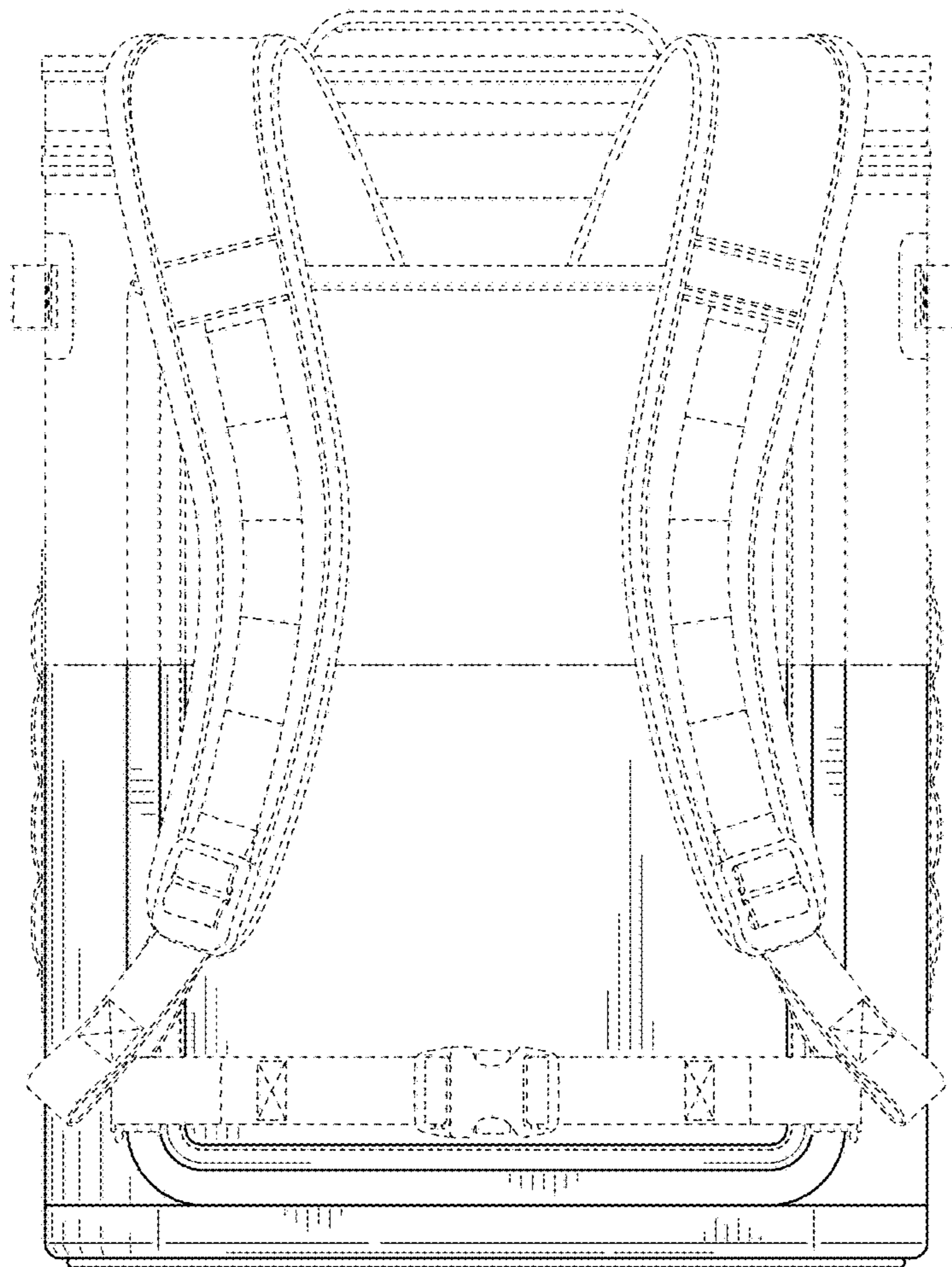


FIG. 3

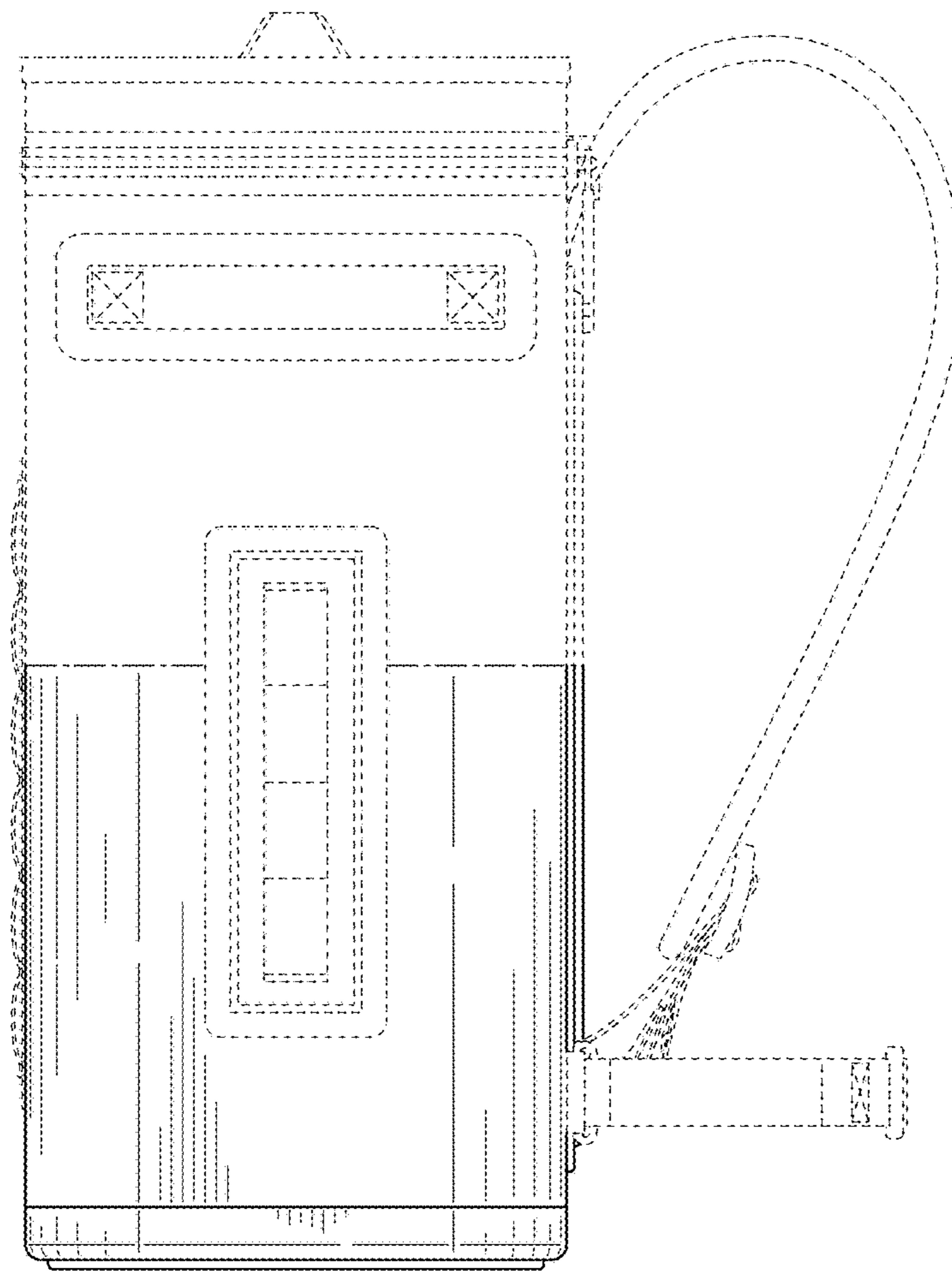


FIG. 4



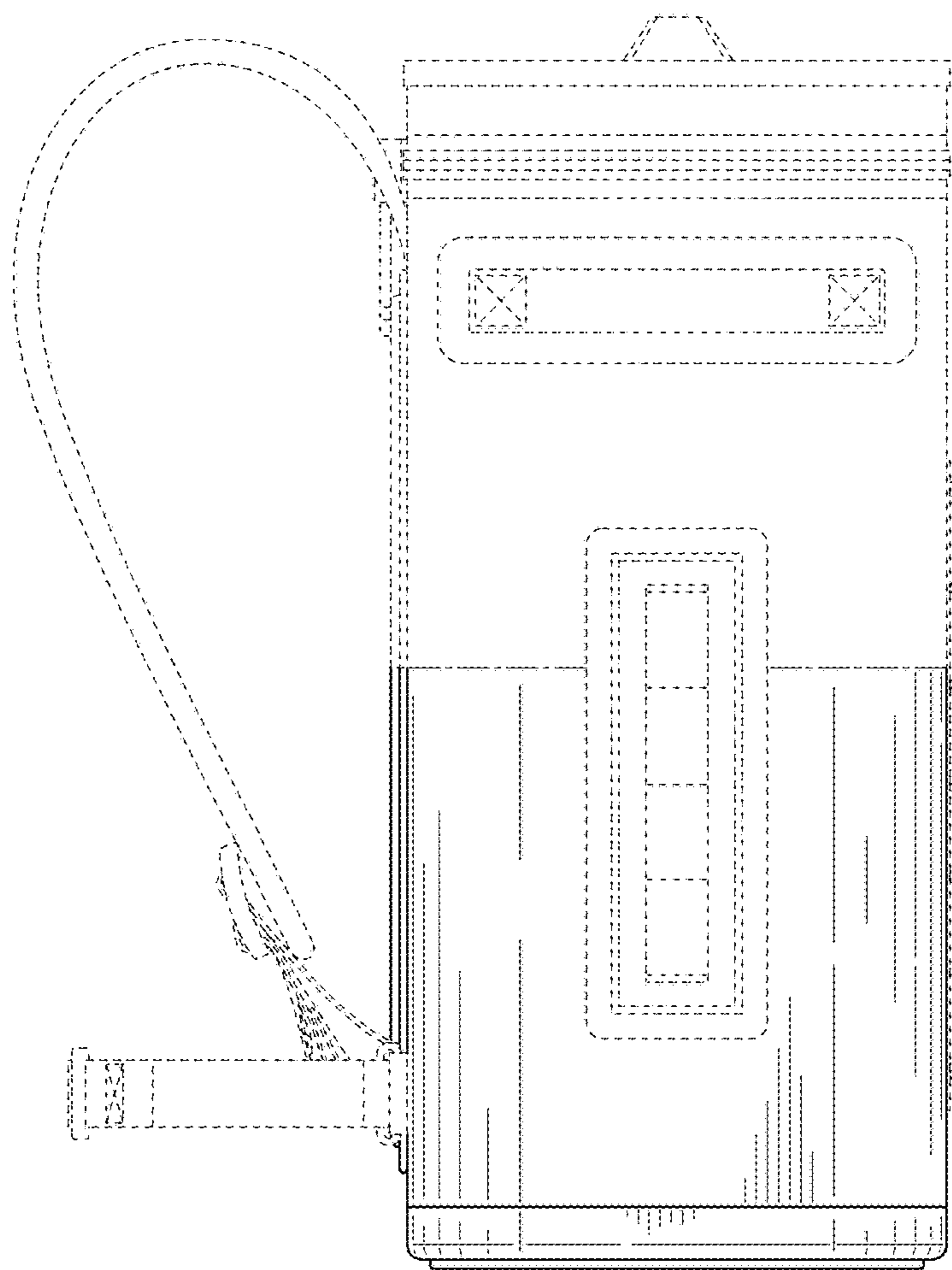


FIG. 5

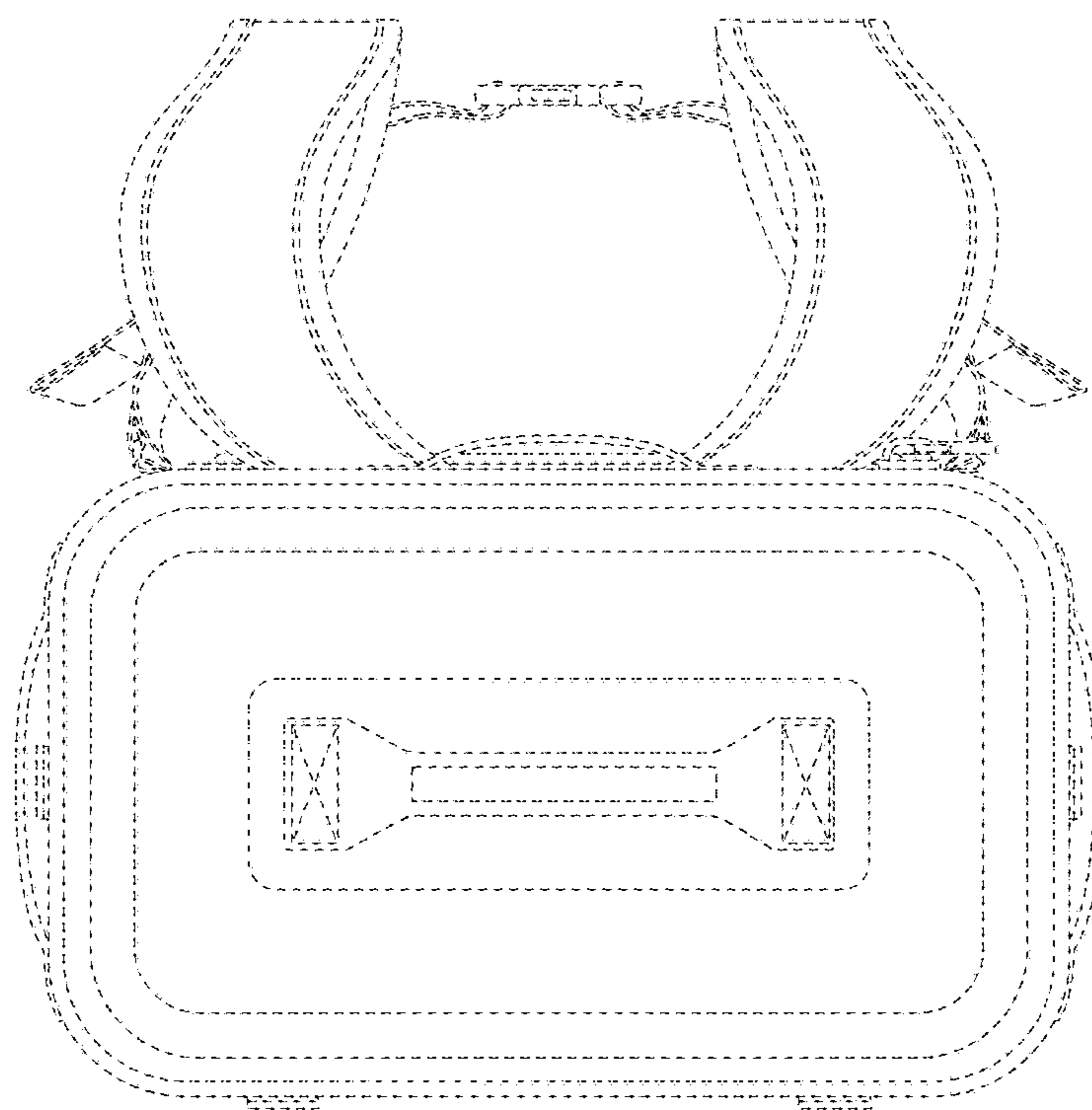


FIG. 6



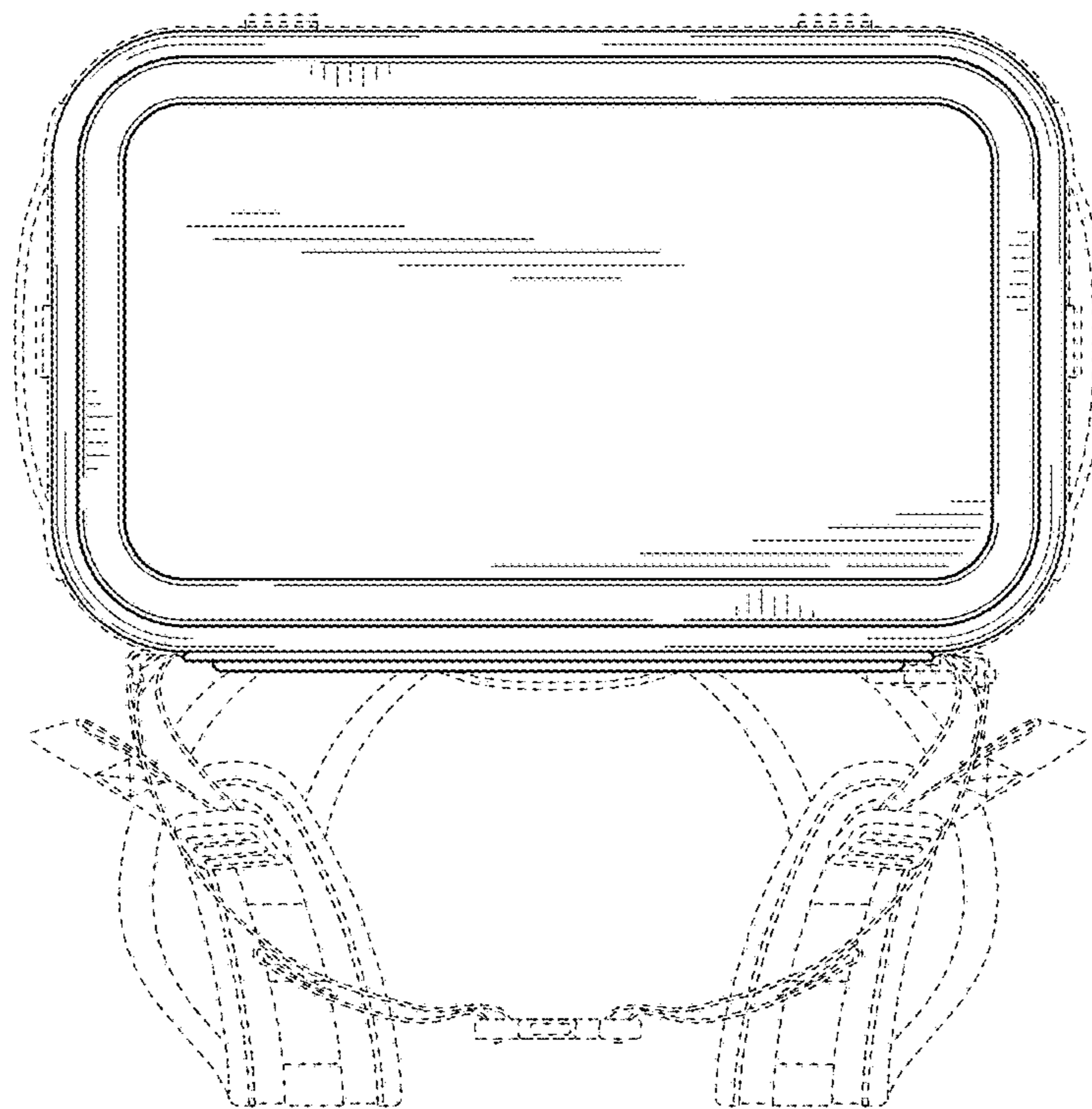


FIG. 7



FIG. 8