



US00D780395S

(12) **United States Design Patent**
Stravitz

(10) **Patent No.:** **US D780,395 S**

(45) **Date of Patent:** **** Feb. 28, 2017**

(54) **WASTE CONTAINER**

(71) Applicant: **David M Stravitz**, New York, NY (US)

(72) Inventor: **David M Stravitz**, New York, NY (US)

(**) Term: **15 Years**

(21) Appl. No.: **29/558,503**

(22) Filed: **Mar. 18, 2016**

(51) **LOC (10) Cl.** **09-09**

(52) **U.S. Cl.**
USPC **D34/7**

(58) **Field of Classification Search**
USPC D34/1, 5-11; 220/908, 908.1, 495.08,
220/263, 264
CPC B65F 1/163; B65F 1/08; B65F 1/06;
B65F 1/1607; B65F 1/14; B65F 1/1615;
B65F 1/062; B65F 1/068
See application file for complete search history.

(56) **References Cited**

U.S. PATENT DOCUMENTS

1,719,185	A	7/1929	Lowy
2,434,238	A	1/1948	Wolfson
2,793,373	A	5/1957	Ewing
3,214,065	A	10/1965	Thornton
4,427,110	A	1/1984	Shaw, Jr.
4,902,482	A	2/1990	Faust
5,174,462	A	12/1992	Hames
D334,975	S	4/1993	Bunce et al.
5,520,303	A	5/1996	Bernstein et al.
5,988,520	A	11/1999	Bitner
6,540,103	B2	4/2003	Silvers
6,612,099	B2	9/2003	Stravitz
6,804,930	B2	10/2004	Stravitz
6,851,251	B2	2/2005	Stravitz
6,904,867	B2	6/2005	Zamjahn
6,974,029	B2	12/2005	Morand et al.
7,086,569	B2	8/2006	Stravitz

7,114,314 B2 10/2006 Stravitz
7,146,785 B2 12/2006 Stravitz
7,225,943 B2 6/2007 Yang et al.
D559,494 S * 1/2008 Yang D34/7

(Continued)

Primary Examiner — Cynthia Ramirez

(74) *Attorney, Agent, or Firm* — Brian Roffe

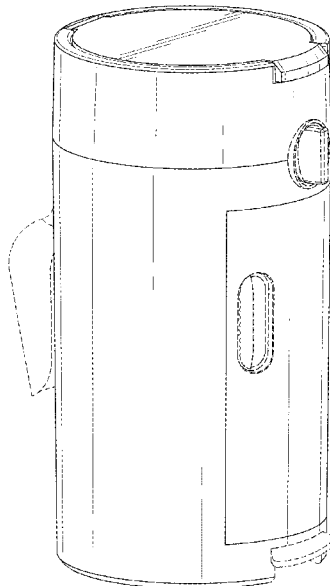
(57) **CLAIM**

The ornamental design for a waste container, as shown and described.

DESCRIPTION

FIG. 1 is a perspective view of a first embodiment of a waste container showing my new design;
FIG. 2 is a front view thereof;
FIG. 3 is a rear view thereof;
FIG. 4 is a top view thereof;
FIG. 5 is a bottom view thereof;
FIG. 6 is a left side view thereof;
FIG. 7 is a right side view thereof;
FIG. 8 is a perspective view of a second embodiment of a waste container showing my new design;
FIG. 9 is a front view thereof;
FIG. 10 is a rear view thereof;
FIG. 11 is a top view thereof;
FIG. 12 is a bottom view thereof;
FIG. 13 is a left side view thereof; and,
FIG. 14 is a right side view thereof.
The scoop shown in broken lines in some figures is included for the purpose of illustrating environment and forms no part of the claimed design.
The broken lines showing a knob, a pedal and an opening in the door in the figures are included to show portions of the waste container and form no part of the claimed design.

1 Claim, 8 Drawing Sheets



(56)

References Cited

U.S. PATENT DOCUMENTS

7,316,100	B2	1/2008	Stravitz et al.		8,635,838	B2	1/2014	Dunn et al.	
D567,466	S *	4/2008	Lee	D34/7	8,647,587	B2	2/2014	Dunn et al.	
7,406,814	B2	8/2008	Morand		8,657,139	B1	2/2014	Bodine	
7,434,377	B2	10/2008	Stravitz et al.		8,690,017	B2	4/2014	Dunn et al.	
D586,066	S *	2/2009	Lin	D34/7	8,739,501	B2	6/2014	Dunn et al.	
7,503,152	B2	3/2009	Stravitz et al.		8,833,592	B2	9/2014	Dunn et al.	
7,503,159	B2	3/2009	Stravitz et al.		8,844,751	B2	9/2014	Sakaguchi et al.	
7,516,865	B1	4/2009	Pierre		8,899,420	B2	12/2014	Morand	
7,543,716	B2	6/2009	Lin		8,910,821	B1	12/2014	Stravitz	
D596,364	S	7/2009	Morand		D722,735	S *	2/2015	Del Rosario Roy	D34/8
7,617,659	B2	11/2009	Stravitz et al.		8,959,880	B2	2/2015	Morand	
7,696,711	B2	4/2010	Pollack et al.		8,973,774	B1	3/2015	Stravitz	
7,708,188	B2	5/2010	Stravitz et al.		9,085,404	B2	7/2015	Dunn et al.	
7,712,285	B2	5/2010	Stravitz et al.		D737,013	S *	8/2015	Beumer	D34/7
D619,905	S	7/2010	Dunn et al.		D739,632	S *	9/2015	Senser	D34/1
7,878,359	B1	2/2011	Ko		D747,060	S *	1/2016	Valderrama	D34/7
7,931,150	B2	4/2011	Morand		2002/0051739	A1	5/2002	Wang	
D639,002	S	5/2011	Dunn et al.		2005/0082196	A1 *	4/2005	Lin	B65F 1/062 206/554
D639,003	S	5/2011	Dunn et al.		2008/0134644	A1	6/2008	Knuth et al.	
D639,004	S	5/2011	Dunn et al.		2009/0071959	A1 *	3/2009	Cheung	B65F 1/163 220/263
7,963,414	B1	6/2011	Stravitz		2010/0005762	A1	1/2010	Stravitz	
D645,221	S *	9/2011	Brown	D34/11	2011/0099945	A1 *	5/2011	Dunn	B65F 1/0006 53/211
D652,189	S	1/2012	Morand		2011/0099958	A1	5/2011	Dunn et al.	
D653,009	S *	1/2012	Larrivee	D34/1	2012/0211494	A1	8/2012	Morand	
D654,738	S	2/2012	Morand		2013/0048641	A1 *	2/2013	Romano	B65F 1/06 220/495.08
8,127,519	B2	3/2012	Stravitz		2013/0181000	A1	7/2013	Miksovsky et al.	
8,215,089	B2	7/2012	Stravitz		2013/0252534	A1	9/2013	Smith	
8,235,237	B1	8/2012	Stravitz		2014/0027452	A1	1/2014	Pan	
8,266,871	B1	9/2012	Stravitz		2014/0042168	A1	2/2014	Dunn et al.	
8,393,489	B1	3/2013	Stravitz		2015/0368041	A1 *	12/2015	Coffin	B65F 1/06 220/495.06
D683,099	S *	5/2013	Wright	D34/10					
D683,922	S *	6/2013	Huang	D34/9					
8,567,157	B2	10/2013	Dunn et al.						

* cited by examiner

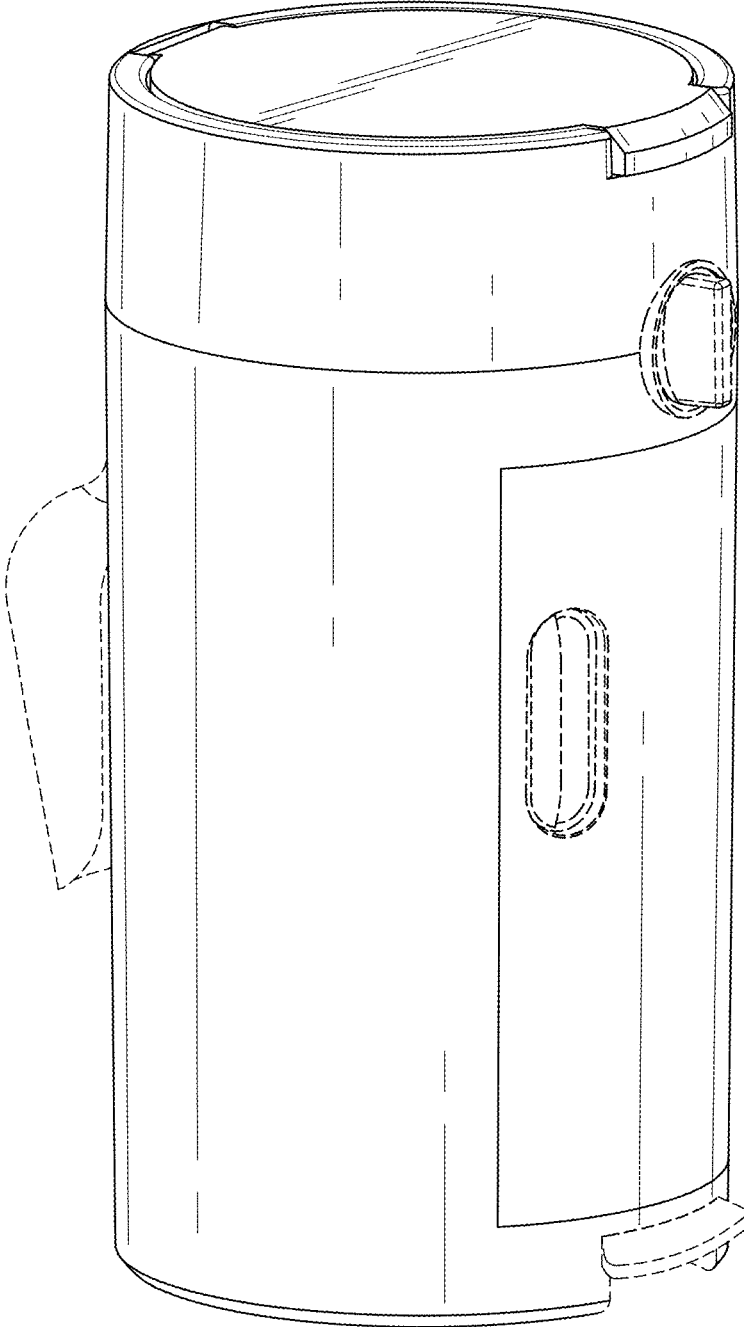


FIG. 1

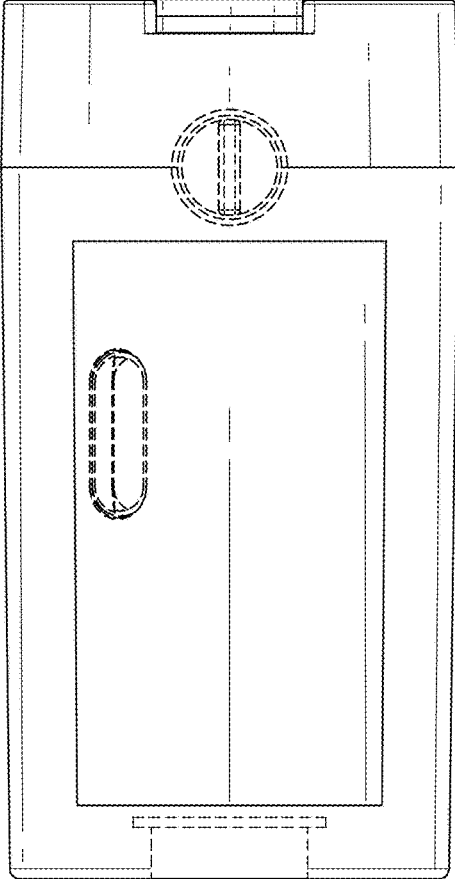


FIG. 2

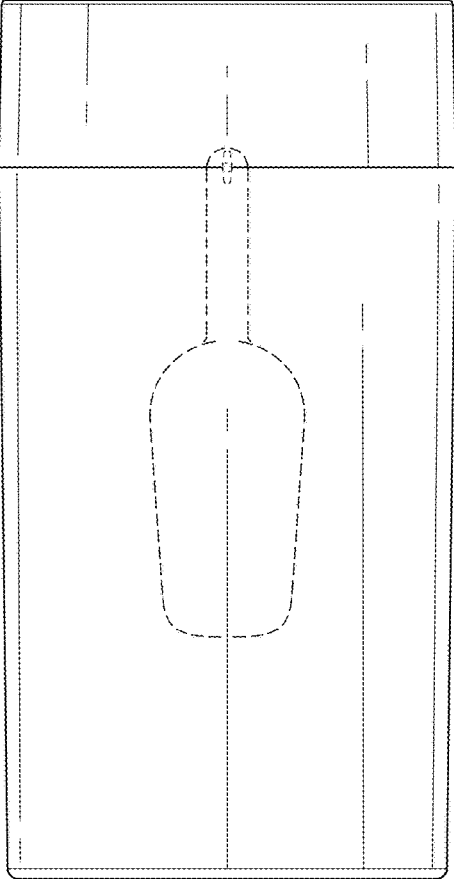


FIG. 3

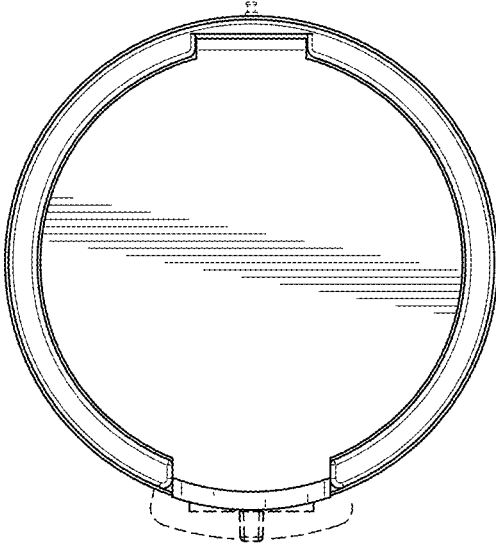


FIG. 4

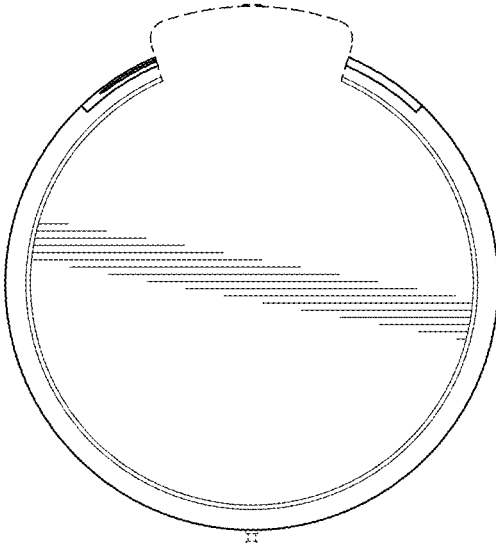


FIG. 5

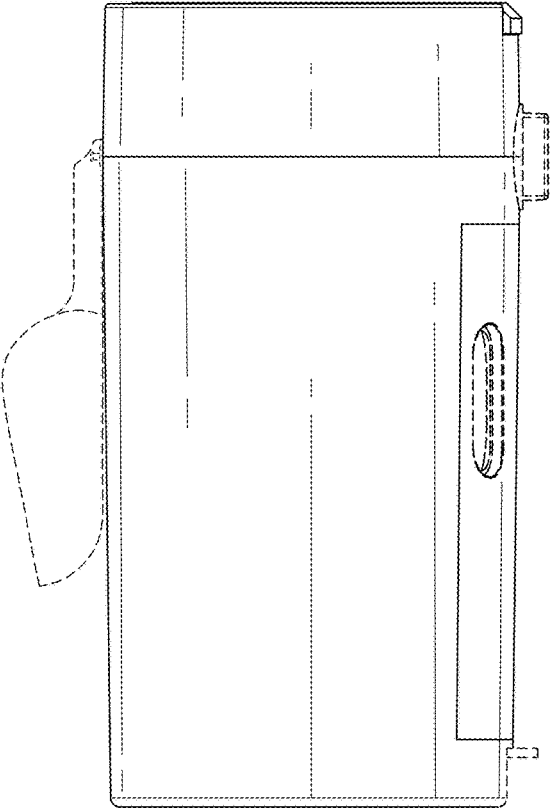


FIG. 6

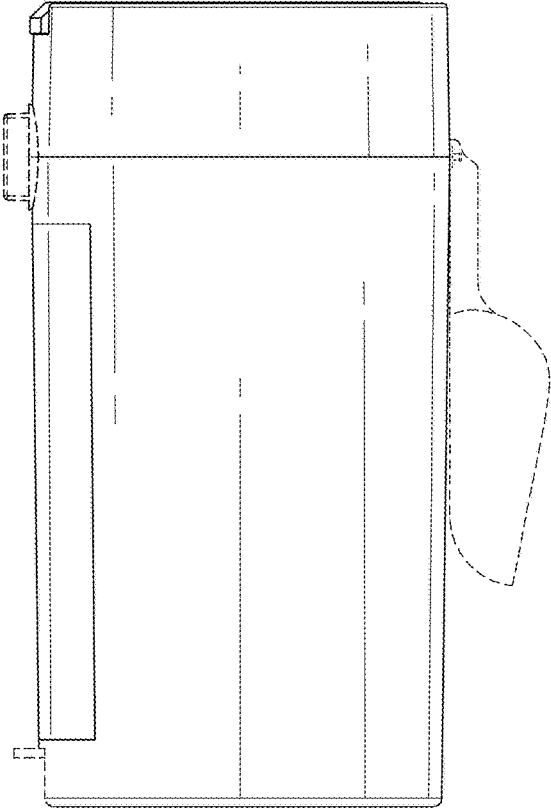


FIG. 7

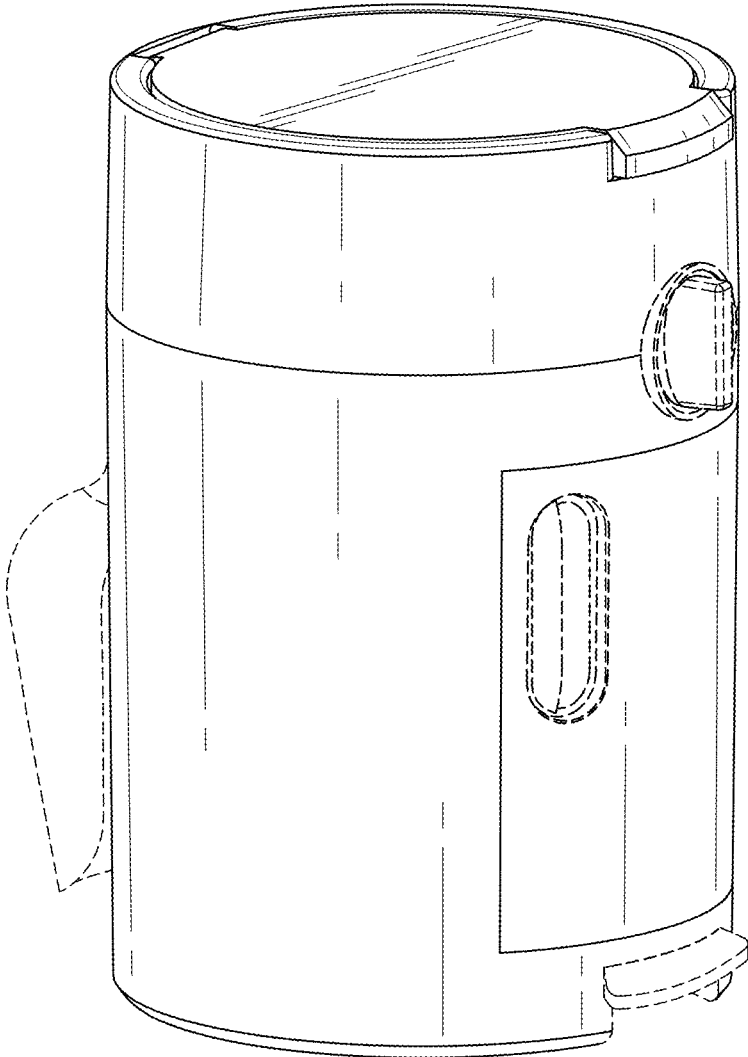


FIG. 8

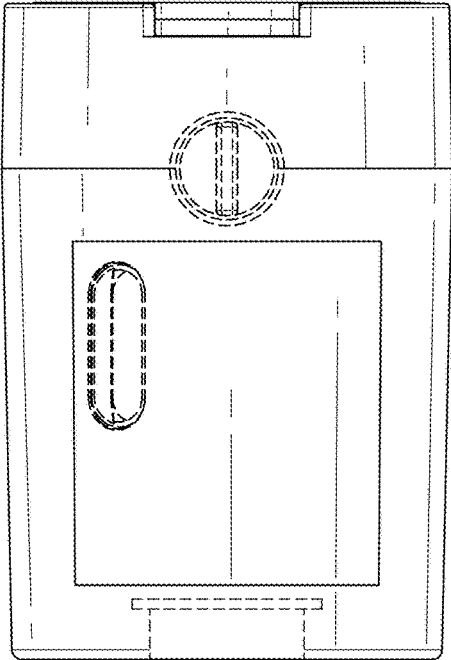


FIG. 9

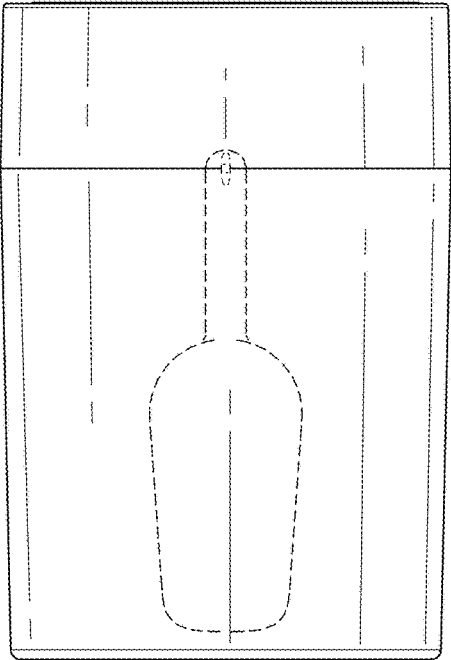


FIG. 10

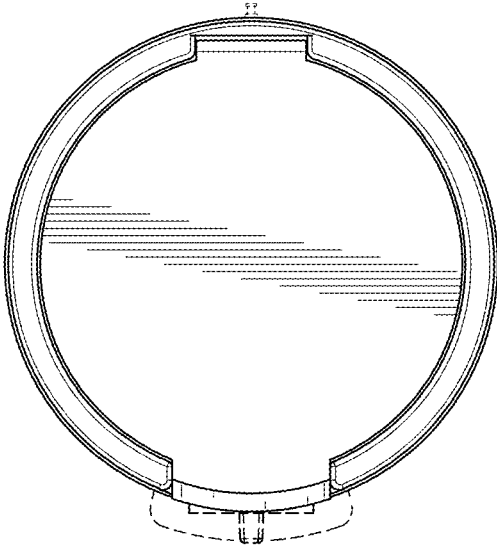


FIG. 11

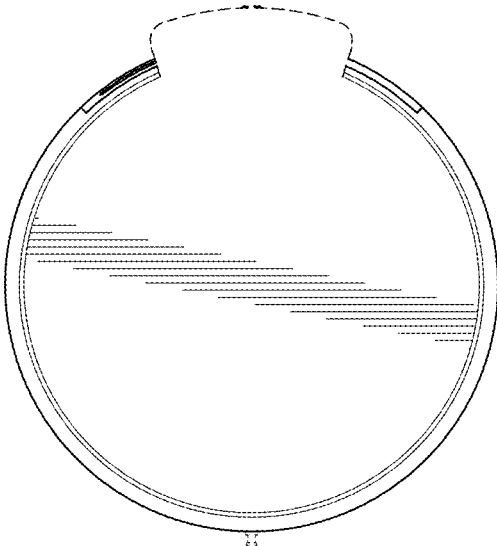


FIG. 12

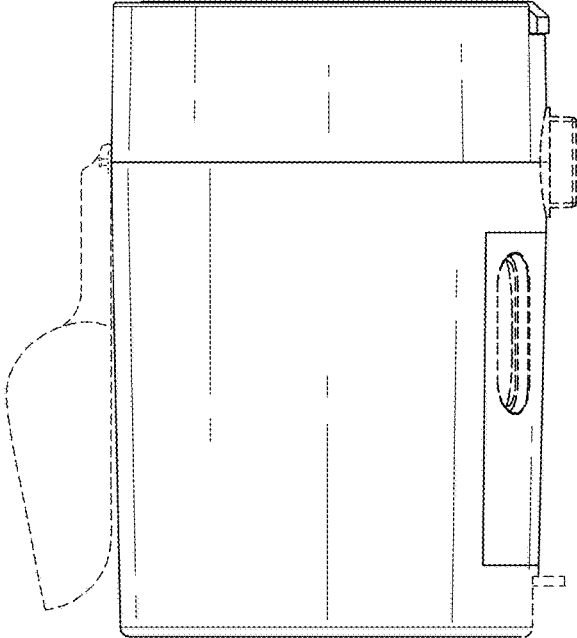


FIG. 13

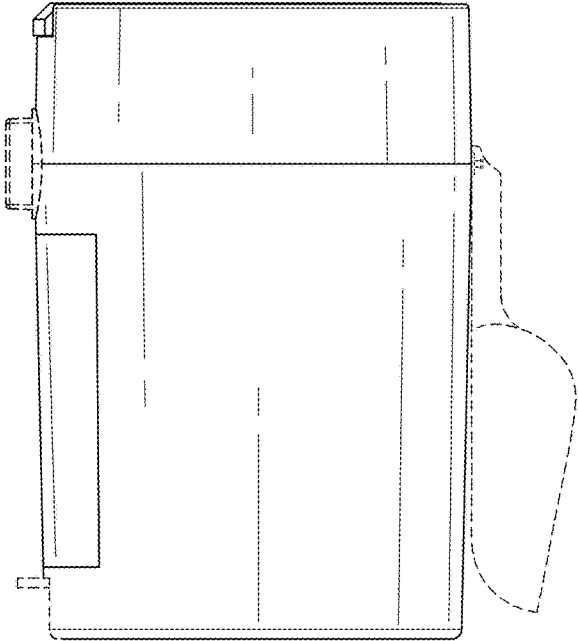


FIG. 14