

Dec. 31, 1935.

J. H. HORSLEY

Des. 98,000

CIGARETTE CASE OR SIMILAR ARTICLE

Filed Nov. 11, 1935

Fig. 1.

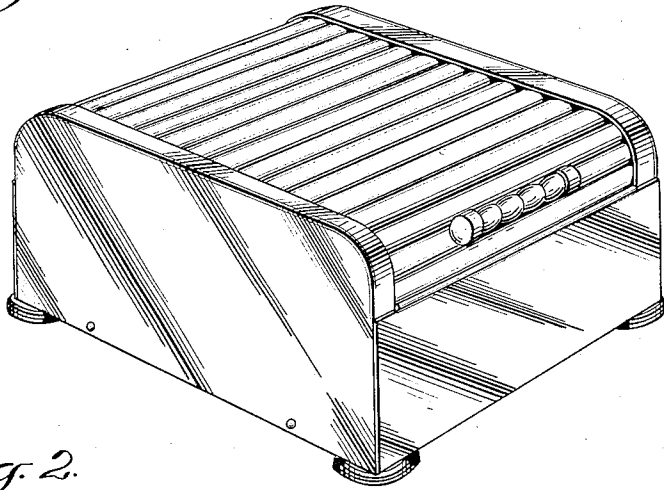


Fig. 2.

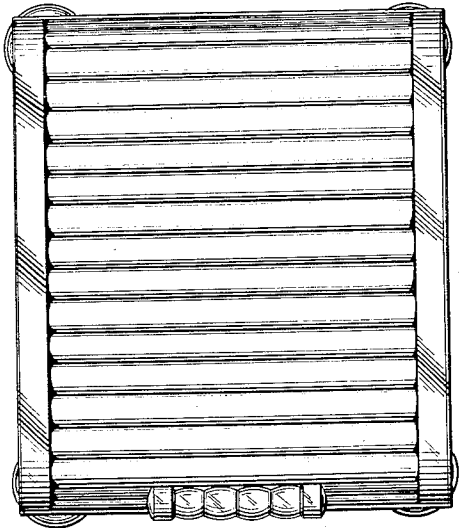


Fig. 3.

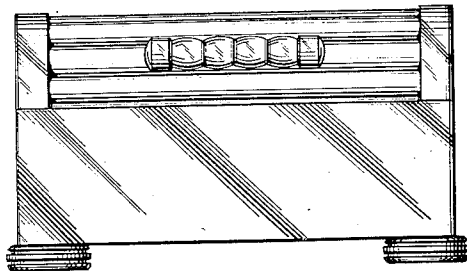
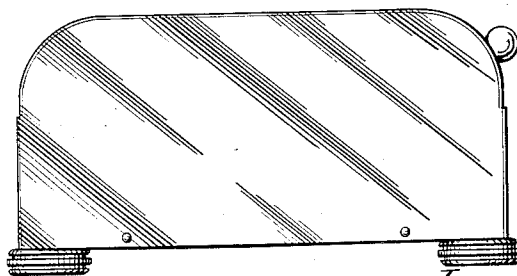


Fig. 4.



Inventor:
James H. Horsley
By *Maund S. Gayn Atty.*

UNITED STATES PATENT OFFICE

98,000

DESIGN FOR A CIGARETTE CASE OR SIMILAR ARTICLE

James H. Horsley, Chicago, Ill.

Application November 11, 1935, Serial No. 59,489

Term of patent 14 years

To all whom it may concern:

Be it known that I, James H. Horsley, a citizen of the United States and resident of Chicago, in the county of Cook, and State of Illinois, have invented a new, original, and ornamental Design for a Cigarette Case or Similar Article, of which the following is a specification, reference being had to the accompanying drawing, forming a part thereof.

Figure 1 is a view in perspective of a cigarette case or similar article showing my new design;

Fig. 2 is a top plan view of the same;

Fig. 3 is a front elevational view of the same; and

Fig. 4 is a side elevational view of the same.

I claim:

The ornamental design for a cigarette case or similar article, substantially as shown.

Signed at Chicago, in the county of Cook, and State of Illinois, this 8th day of November, 1935.

JAMES H. HORSLEY,