



US00D990642S

(12) **United States Design Patent**  
**Xie**

(10) **Patent No.:** **US D990,642 S**

(45) **Date of Patent:** **\*\* Jun. 27, 2023**

(54) **WATER HEATER**

2014/0026823 A1\* 1/2014 McCarthy ..... F22B 1/14  
122/28  
2017/0350587 A1\* 12/2017 Sharp ..... F24H 1/06

(71) Applicant: **Yu Xie**, Hunan (CN)

\* cited by examiner

(72) Inventor: **Yu Xie**, Hunan (CN)

*Primary Examiner* — Ania Aman

(\*\*) Term: **15 Years**

(21) Appl. No.: **29/816,386**

(22) Filed: **Nov. 22, 2021**

(57) **CLAIM**

(30) **Foreign Application Priority Data**

The ornamental design for a water heater, as shown and described.

Oct. 14, 2021 (CN) ..... 202130673833.5

(51) **LOC (14) Cl.** ..... **23-03**

(52) **U.S. Cl.**

USPC ..... **D23/316**

(58) **Field of Classification Search**

USPC ..... D23/314, 315, 316, 317, 318, 319, 320,  
D23/321, 322, 323, 335

CPC ..... A01K 63/065; H05B 3/80; H05B 3/82;  
H05B 3/78; F24H 1/06; F24H 1/08;

F24H 1/10

See application file for complete search history.

**DESCRIPTION**

FIG. 1 is a perspective view of a water heater design showing my new design.

FIG. 2 is a front view of a water heater.

FIG. 3 is a rear view of a water heater.

FIG. 4 is a left side view of a water heater.

FIG. 5 is a right side view of a water heater.

FIG. 6 is a top view of a water heater.

FIG. 7 is a bottom view of a water heater; and,

FIG. 8 is a rear side perspective view of a water heater.

The broken lines in the drawings depict portions of the water heater that form no part of the claimed design.

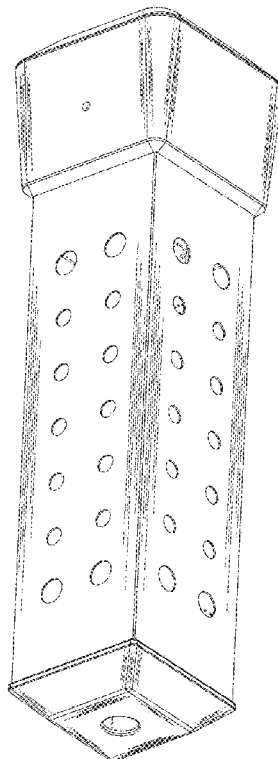
(56) **References Cited**

**U.S. PATENT DOCUMENTS**

697,813 A \* 4/1902 Cripe ..... F23B 60/02  
D23/319

2007/0210068 A1\* 9/2007 Reusche ..... A01K 45/002  
219/494

**1 Claim, 8 Drawing Sheets**



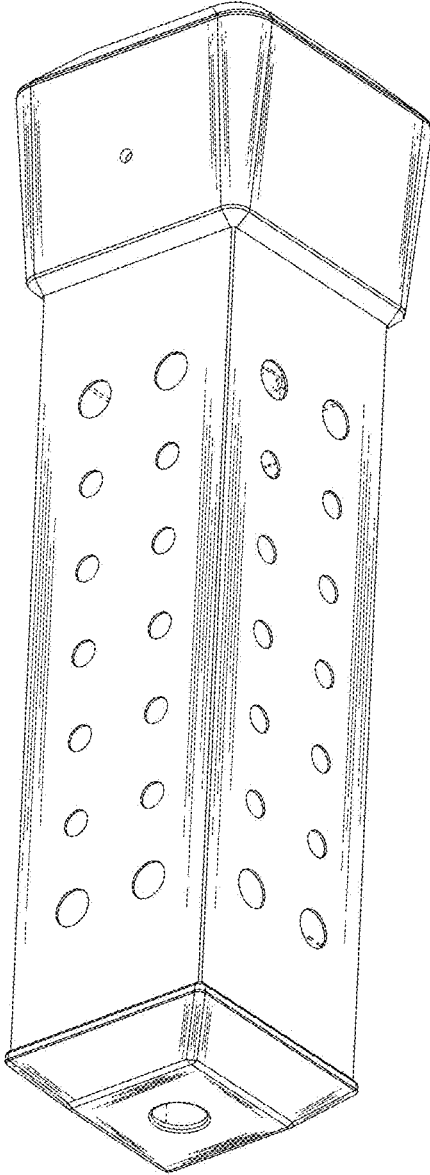


FIG. 1

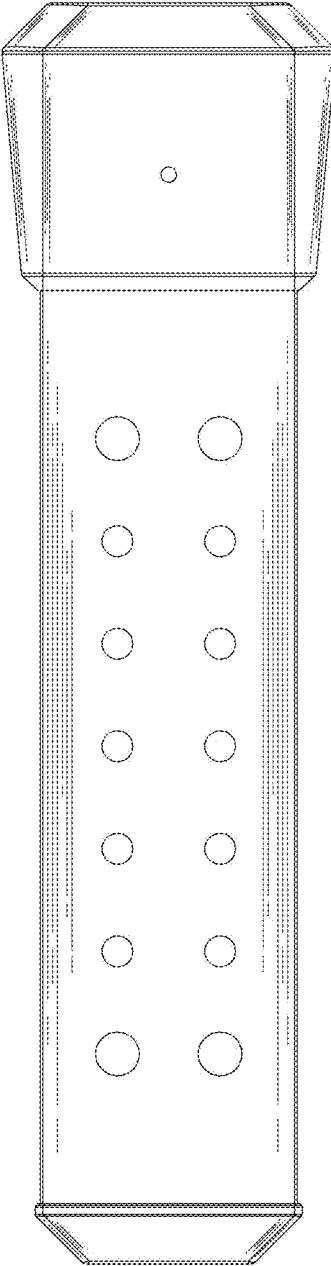


FIG. 2

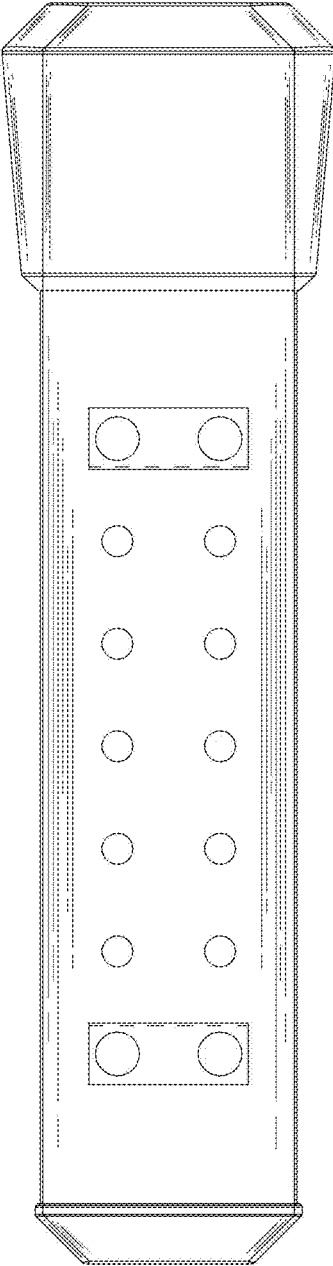


FIG. 3

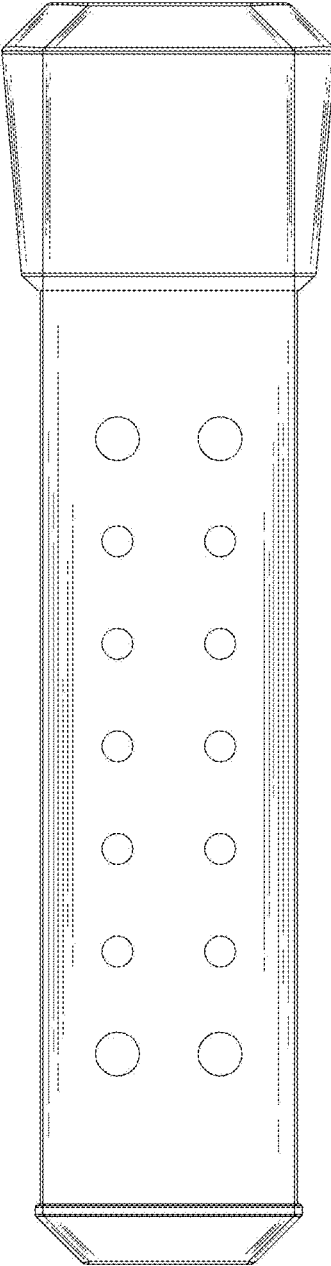


FIG. 4

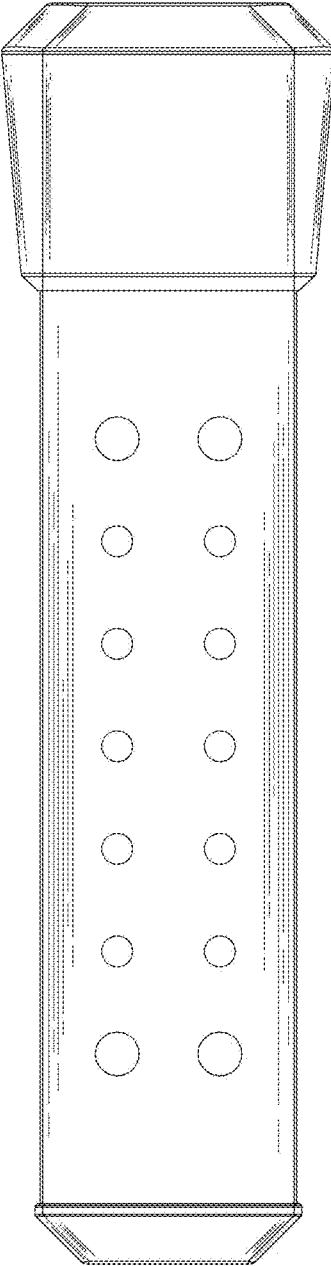


FIG. 5

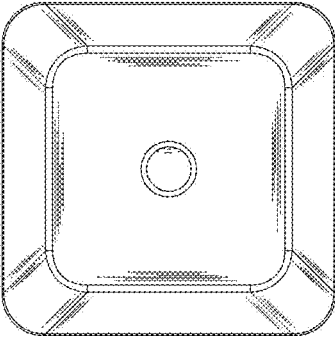


FIG. 6

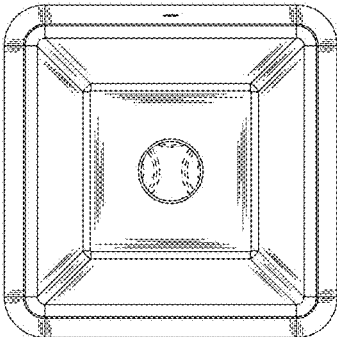


FIG. 7

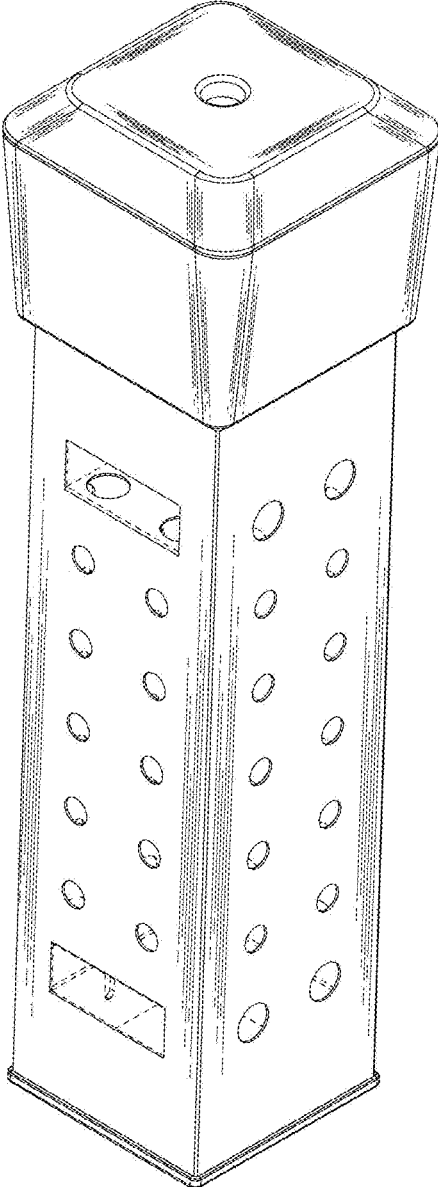


FIG. 8